



US00D741336S

(12) **United States Design Patent**
Miniard

(10) **Patent No.:** **US D741,336 S**
(45) **Date of Patent:** **** Oct. 20, 2015**

- (54) **TABLET HOLDER**
- (71) Applicant: **Jerry Miniard**, Florence, KY (US)
- (72) Inventor: **Jerry Miniard**, Florence, KY (US)
- (73) Assignee: **Jerry M. Miniard**, Fort Mitchell, KY (US)
- (**) Term: **14 Years**
- (21) Appl. No.: **29/491,755**
- (22) Filed: **May 23, 2014**

- D657,741 S 4/2012 Fahrendorff et al.
- D661,308 S * 6/2012 Capozzoli, II D14/447
- D661,309 S 6/2012 Murrer et al.
- D667,403 S * 9/2012 Maus D14/385
- D668,662 S 10/2012 Suiter
- D671,949 S * 12/2012 Jeon et al. D14/447
- D672,350 S 12/2012 Gioscia et al.

(Continued)

Primary Examiner — Angela J Lee
(74) *Attorney, Agent, or Firm* — Wood, Herron & Evans, LLP

(57) **CLAIM**
The ornamental design for a tablet holder, as shown and described.

Related U.S. Application Data

- (63) Continuation-in-part of application No. 29/473,003, filed on Nov. 18, 2013, now Pat. No. Des. 709,075.
- (51) **LOC (10) Cl.** **08-07**
- (52) **U.S. Cl.**
USPC **D14/447**
- (58) **Field of Classification Search**
USPC D14/447, 432, 434, 439, 440, 451, 452, D14/239, 251, 253, 217, 374, 375; D6/406.3, 406.4, 406.5, 601; D3/218; D12/415; 248/917-924, 445, 447, 451, 248/455, 460, 150, 188.6, 176.1; 361/679.09, 679.21, 679.22, 679.26, 361/679.3, 679.55, 679.56
See application file for complete search history.

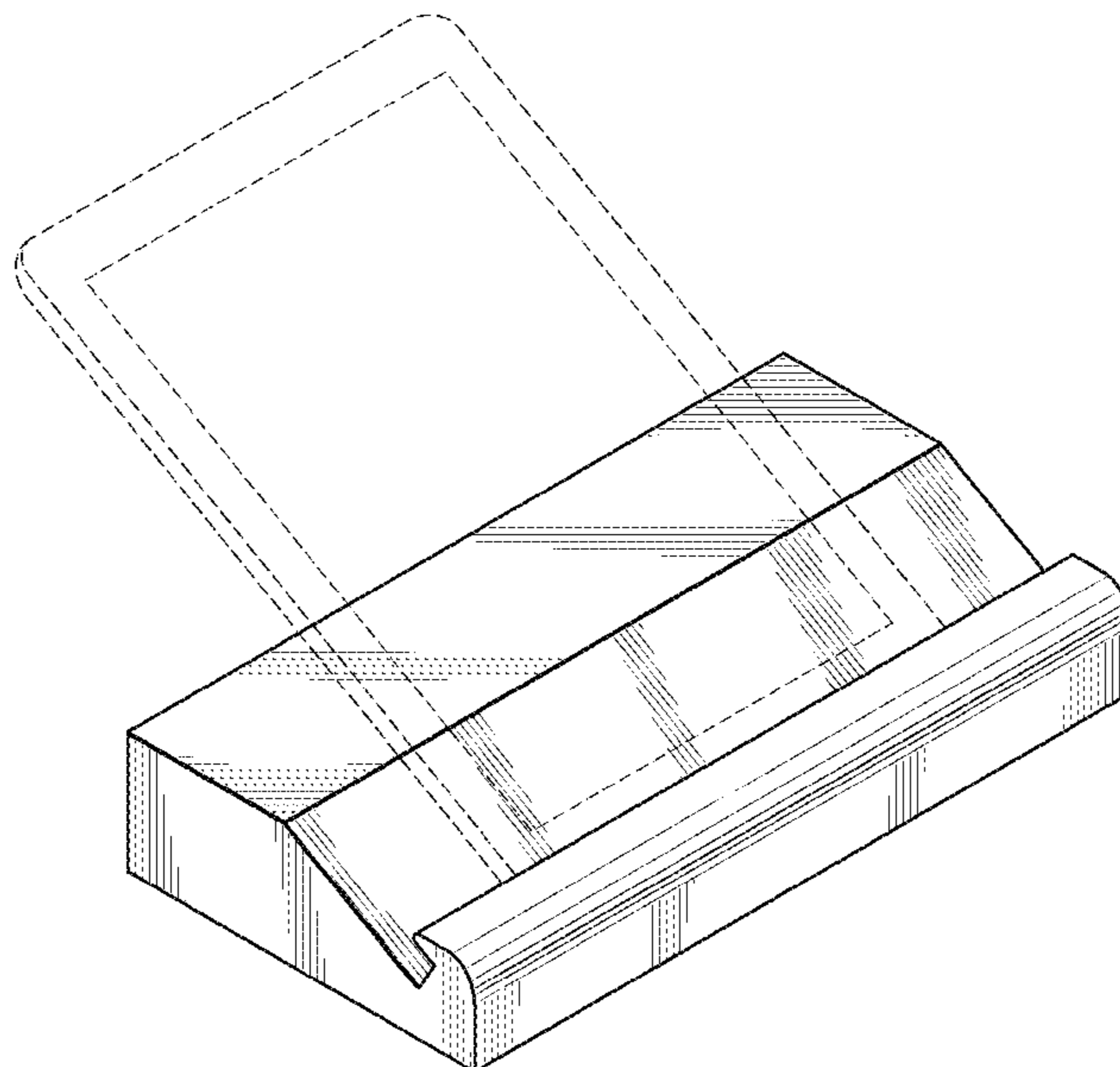
DESCRIPTION

FIG. 1 is a perspective view of a stand for a tablet device of the present invention;
 FIG. 2 is a front view of FIG. 1 of the present invention;
 FIG. 3 is a left side view of FIG. 1 of the present invention; the right side view is a mirror image thereof;
 FIG. 4 is a top view of FIG. 1 of the present invention;
 FIG. 5 is a rear view of FIG. 1 of the present invention;
 FIG. 6 is a bottom view of FIG. 1 of the present invention;
 FIG. 7 is a perspective view of a stand for a tablet device of an alternative embodiment of the present invention;
 FIG. 8 is a front view of FIG. 7 of the present invention;
 FIG. 9 is a left side view of FIG. 7 of the present invention; the right side view is a mirror image thereof;
 FIG. 10 is a rear view of FIG. 7 of the present invention; and,
 FIG. 11 is a top view of FIG. 7 of the present invention.
 Any elements shown in the dash-dash broken lines form no part of the claimed invention in this application, and are instead included to show environmental aspects of the claimed invention. The dash-dot broken lines adjacent to the shaded portions forms an unclaimed boundary of the design.

(56) **References Cited**
U.S. PATENT DOCUMENTS

- D574,375 S 8/2008 Prest et al.
- D623,188 S 9/2010 Son et al.
- D636,395 S 4/2011 Anderson et al.
- D642,121 S * 7/2011 Lee et al. D13/108
- D647,525 S 10/2011 Seto

1 Claim, 5 Drawing Sheets



US D741,336 S

Page 2

(56)

References Cited

U.S. PATENT DOCUMENTS

| | | | |
|-------------------|---------|----------------|-----------|
| D672,355 S | 12/2012 | Lee et al. | |
| D676,832 S | 2/2013 | Akana et al. | |
| D690,308 S * | 9/2013 | McCoy | D14/458 |
| D692,009 S | 10/2013 | Ashida et al. | |
| D693,826 S | 11/2013 | Ashida et al. | |
| D696,260 S * | 12/2013 | Merea | D14/447 |
| D699,368 S | 2/2014 | Quilter et al. | |
| D700,614 S * | 3/2014 | Hamblet | D14/447 |
| D702,664 S * | 4/2014 | Kim | D14/217 |
| D709,075 S * | 7/2014 | Miniard | D14/447 |
| 2013/0327904 A1 * | 12/2013 | Christal | 248/176.1 |

* cited by examiner

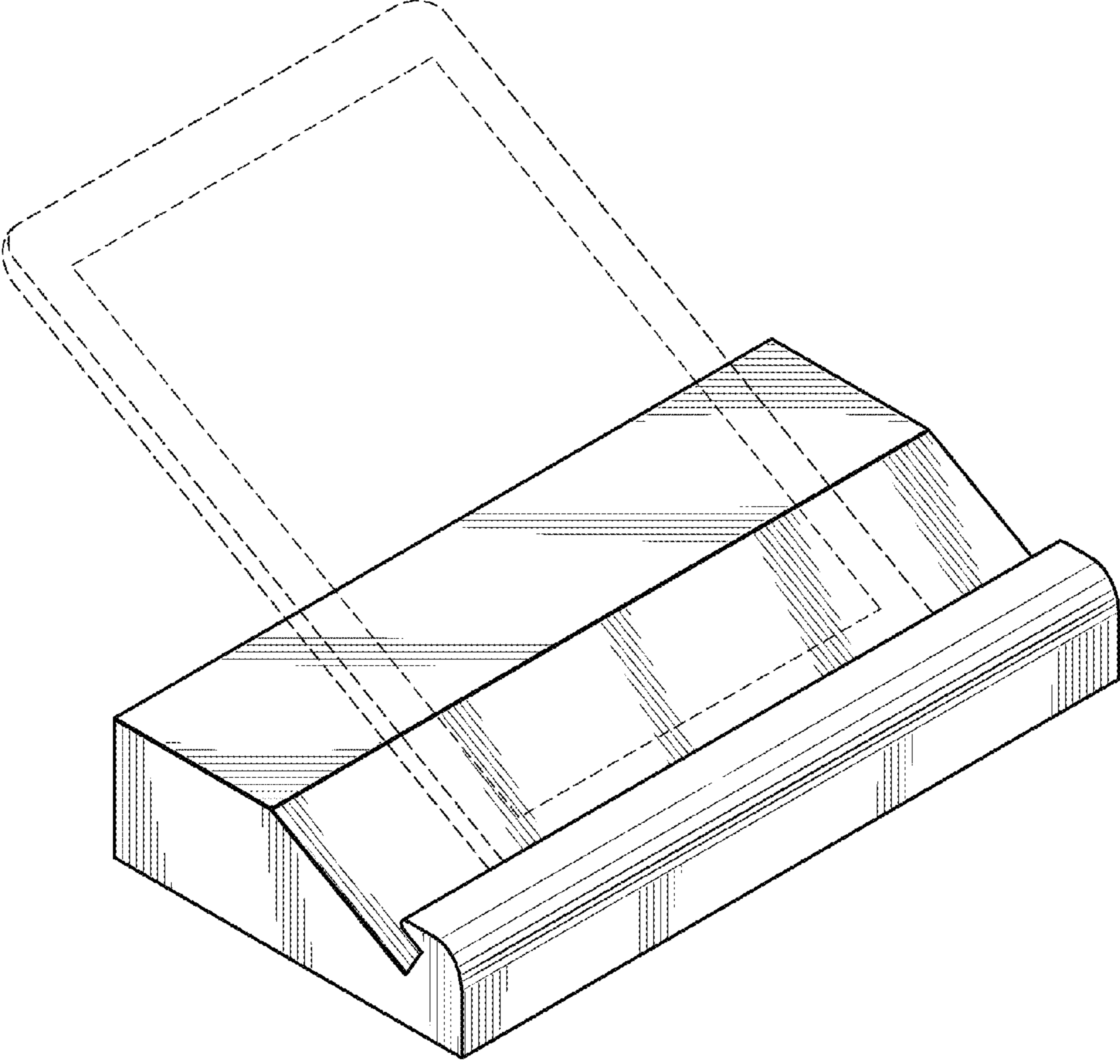


FIG. 1

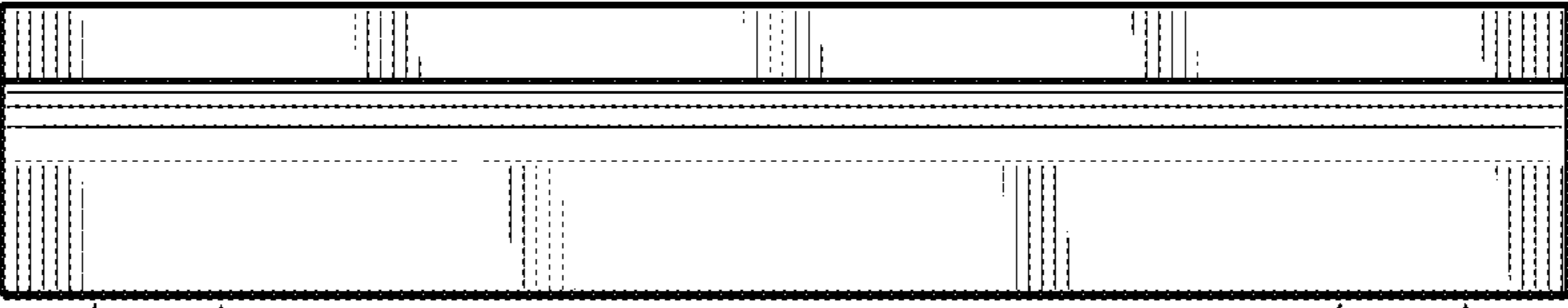


FIG. 2

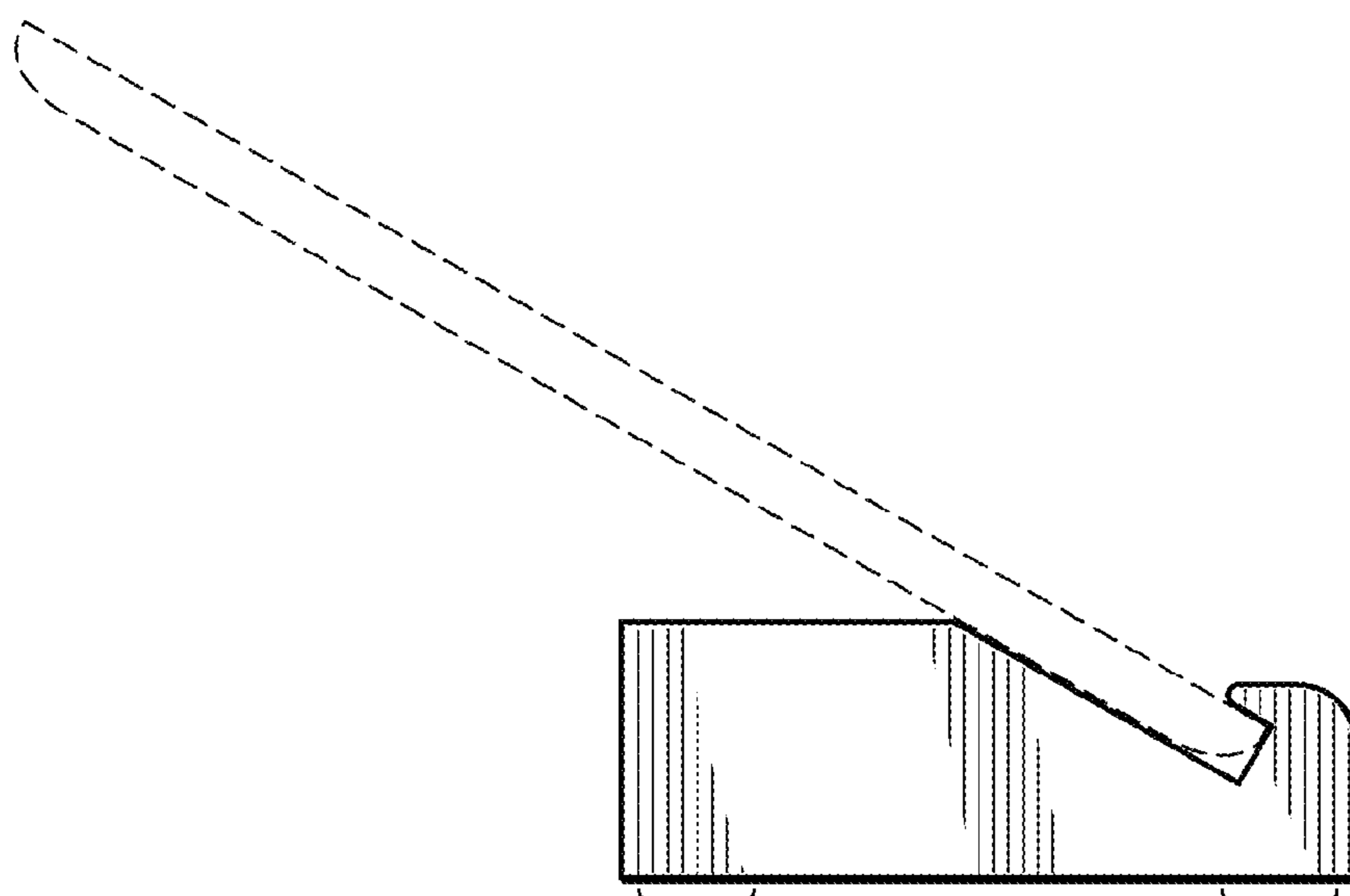


FIG. 3

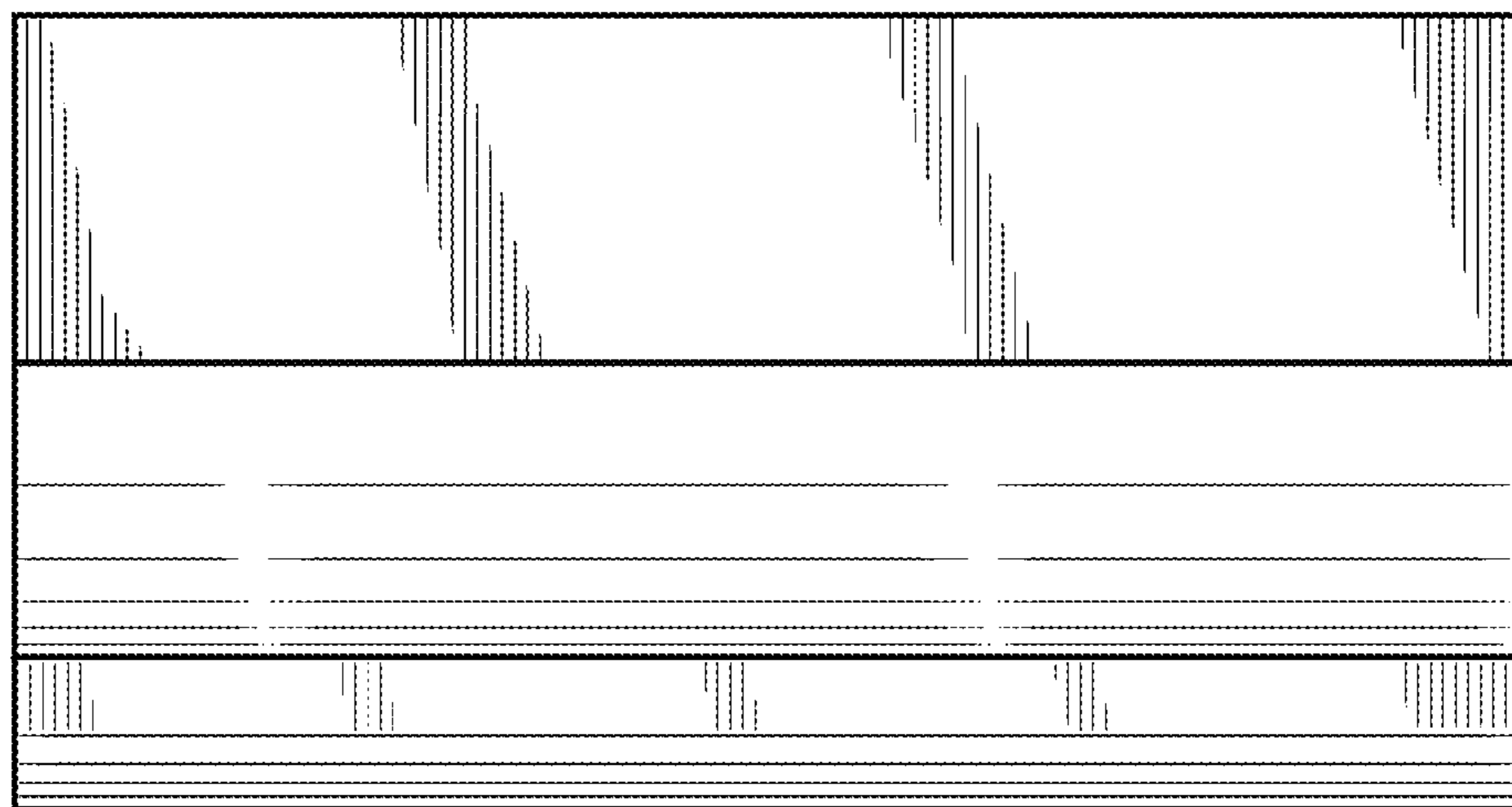


FIG. 4

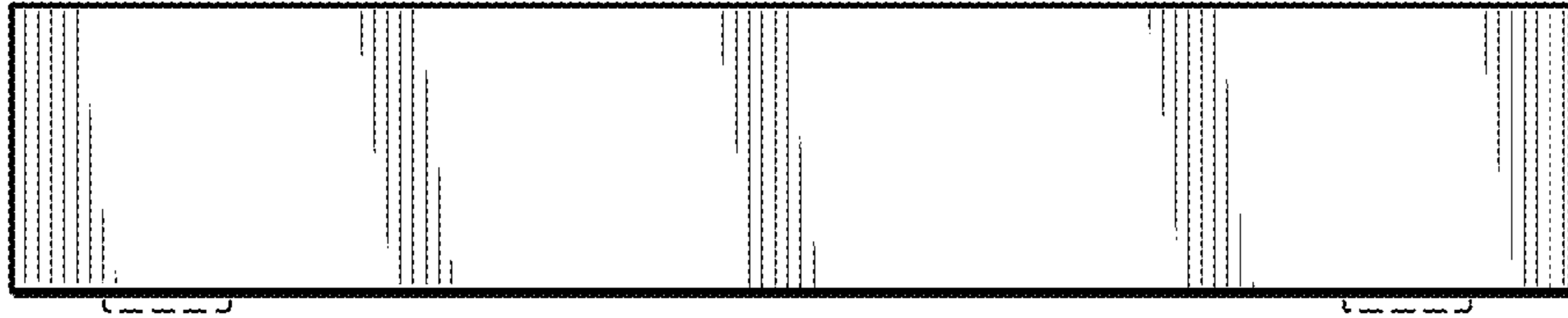


FIG. 5

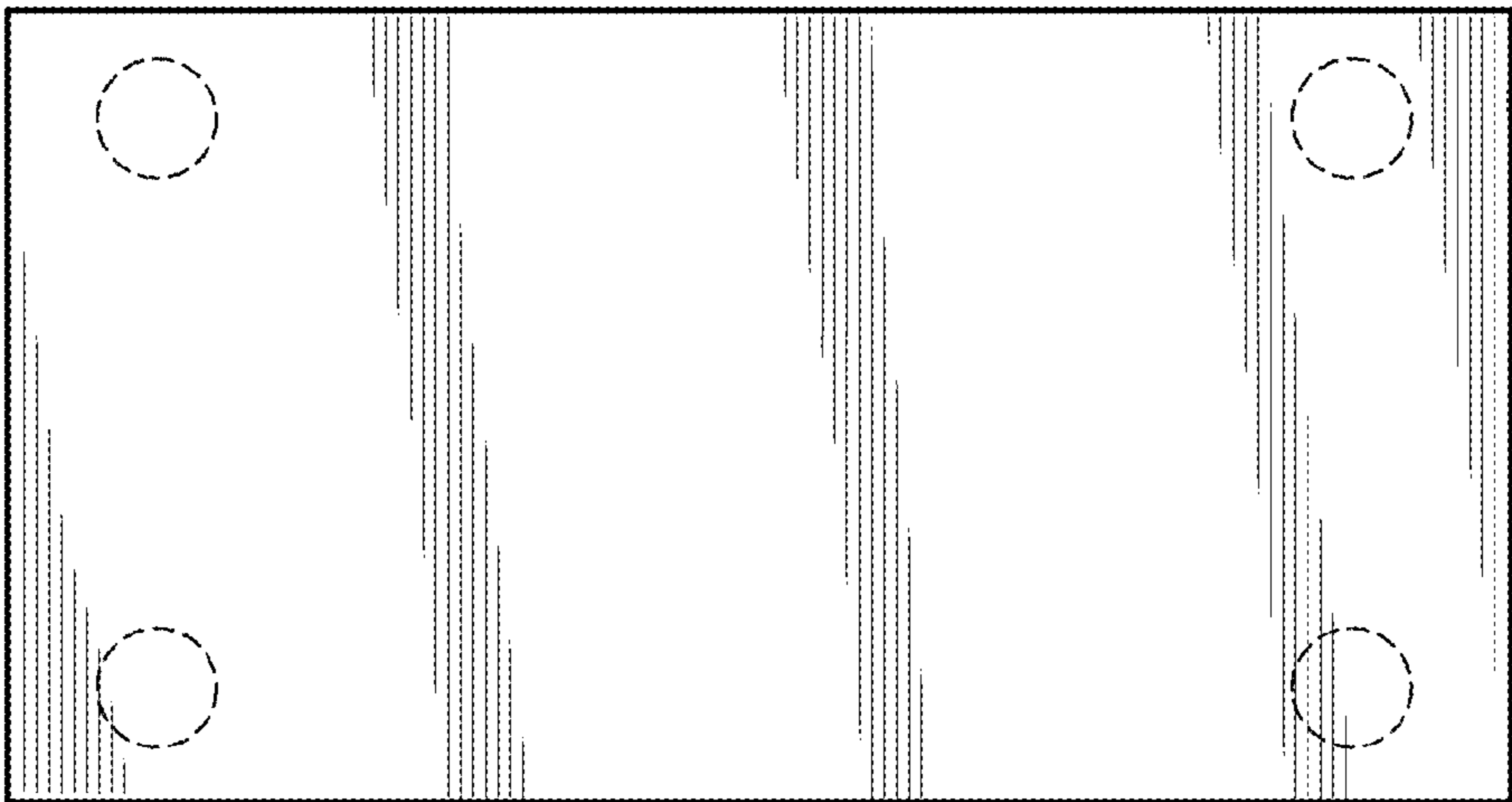


FIG. 6

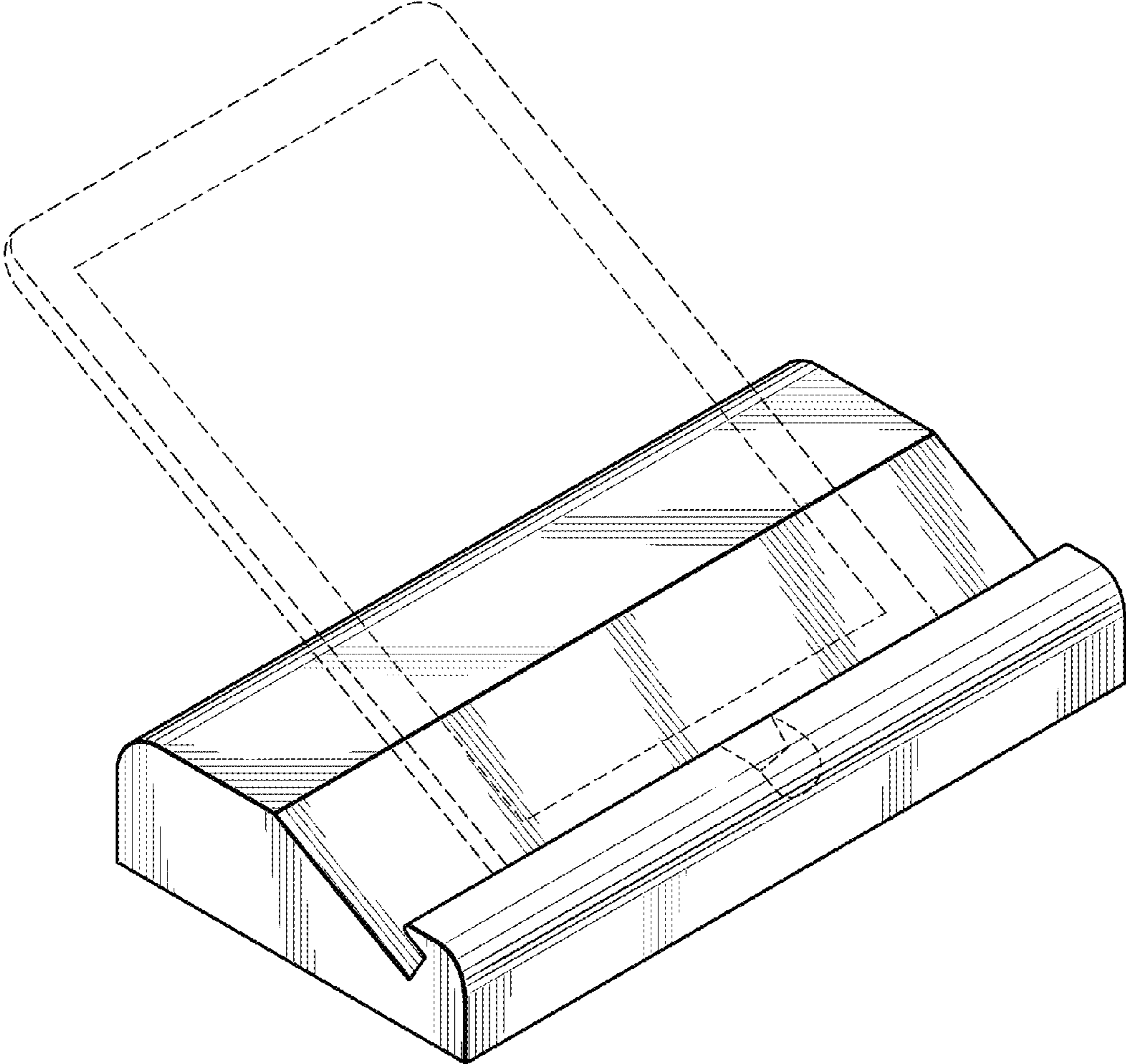


FIG. 7

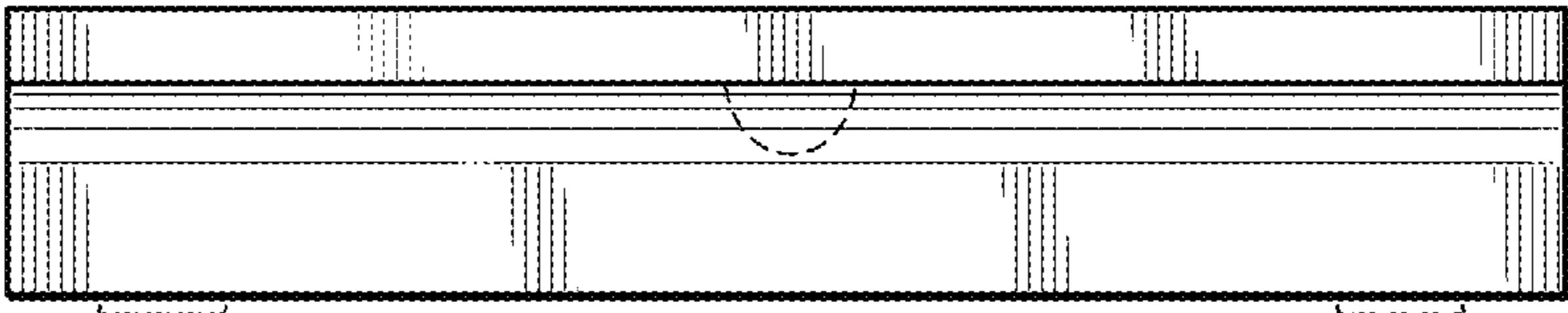


FIG. 8

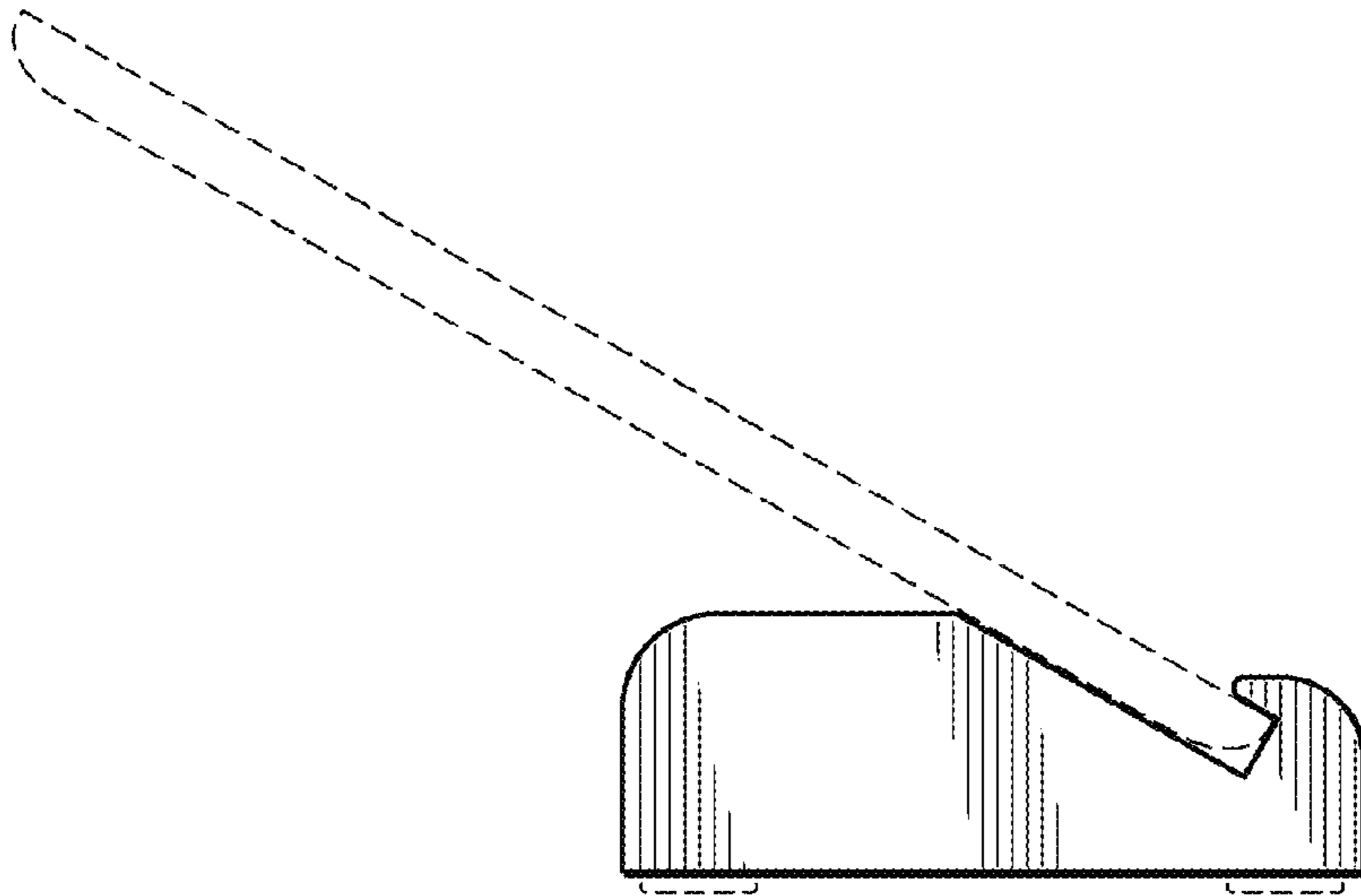


FIG. 9

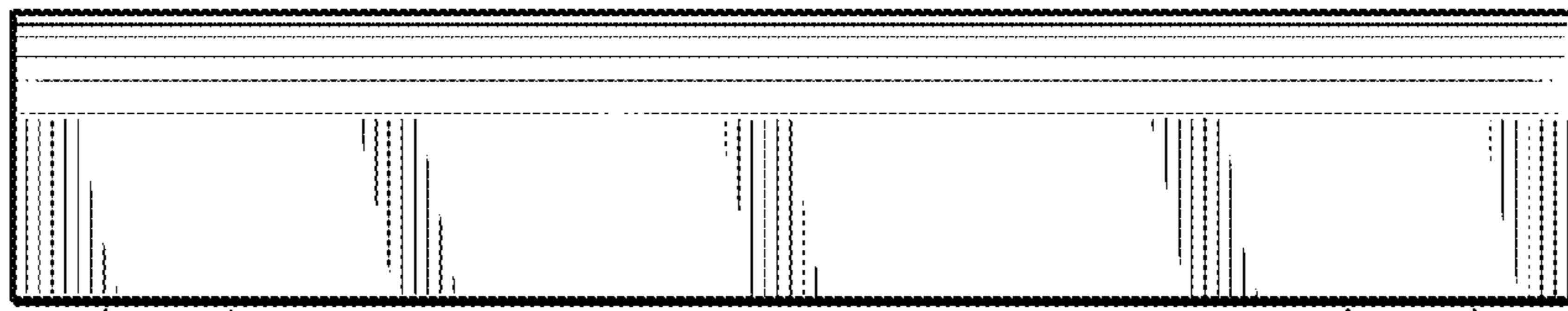


FIG. 10

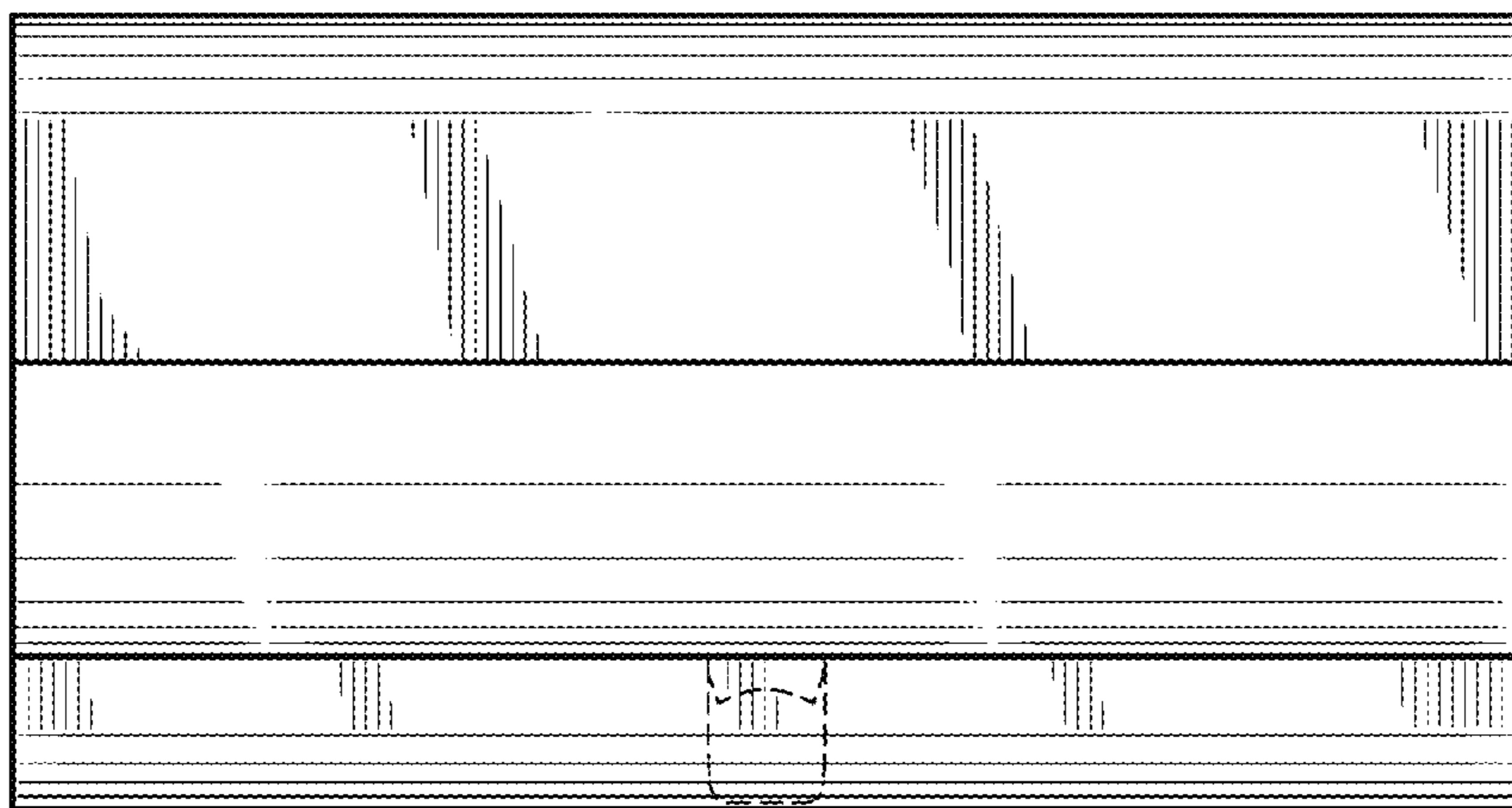


FIG. 11