

US00D741335S

(12) **United States Design Patent**
Bastian et al.

(10) **Patent No.:** **US D741,335 S**
(45) **Date of Patent:** **** Oct. 20, 2015**

- (54) **ELECTRONIC TABLET CASE**
- (71) Applicant: **Attainment Company**, Verona, WI (US)
- (72) Inventors: **Don Bastian**, Madison, WI (US); **David Alan Uhen**, Burlington, WI (US)
- (73) Assignee: **Attainment Company**, Verona, WI (US)
- (**) Term: **14 Years**
- (21) Appl. No.: **29/436,836**
- (22) Filed: **Nov. 9, 2012**
- (51) **LOC (10) Cl.** **14-02**
- (52) **U.S. Cl.**
USPC **D14/440**
- (58) **Field of Classification Search**
USPC D14/447, 432, 433, 356, 253, 251, 434,
D14/439, 440, 451, 457, 448; D13/118,
D13/107, 177, 108; 361/679.02, 600;
455/557; D8/349; 248/176.1, 346.03
CPC G06F 1/1628; G06F 2200/1633
See application file for complete search history.

- D695,742 S * 12/2013 Yang D14/432
- D696,257 S * 12/2013 Ward et al. D14/440
- D696,670 S * 12/2013 Schiller et al. D14/440
- D703,211 S * 4/2014 Weller et al. D14/440
- D712,386 S * 9/2014 Lu D14/250
- D714,295 S * 9/2014 Fujioka D14/440
- 2013/0027862 A1 * 1/2013 Rayner 361/679.3

OTHER PUBLICATIONS

“Go Now Case for iPad”. Attainment Company, Inc. 2 pages. Dec. 5, 2012.*

* cited by examiner

Primary Examiner — Robert M Spear
Assistant Examiner — Kendra L Hamilton
(74) *Attorney, Agent, or Firm* — Miller, Matthias & Hull LLP

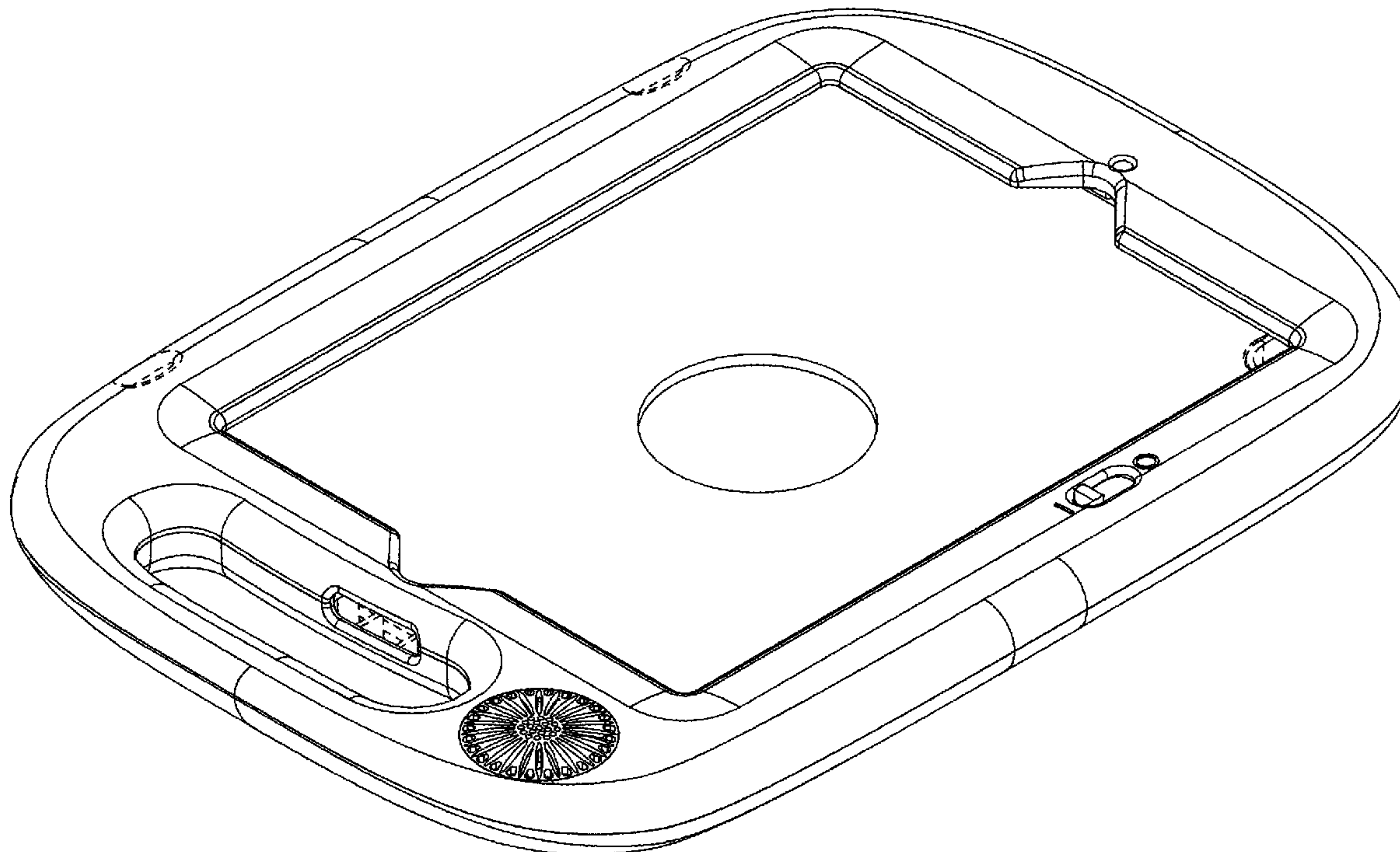
(57) **CLAIM**
The ornamental design for an electronic tablet case, as shown and described.

DESCRIPTION

FIG. 1 is a front perspective view of an electronic tablet case showing our new design;
FIG. 2 is a front view thereof;
FIG. 3 is a rear view thereof;
FIG. 4 is a right side view thereof;
FIG. 5 is a left side view thereof;
FIG. 6 is a top view thereof; and,
FIG. 7 is a bottom view thereof.
The broken lines represent unclaimed environmental subject matter and form no part of the claim.

1 Claim, 5 Drawing Sheets

- (56) **References Cited**
U.S. PATENT DOCUMENTS
D626,549 S * 11/2010 Chiu D14/341
D660,840 S * 5/2012 Chen D14/434
D674,386 S * 1/2013 Mak D14/341
D686,626 S * 7/2013 Tan D14/440
8,503,170 B1 * 8/2013 Hsu et al. 361/679.02
D695,297 S * 12/2013 Sun et al. D14/440



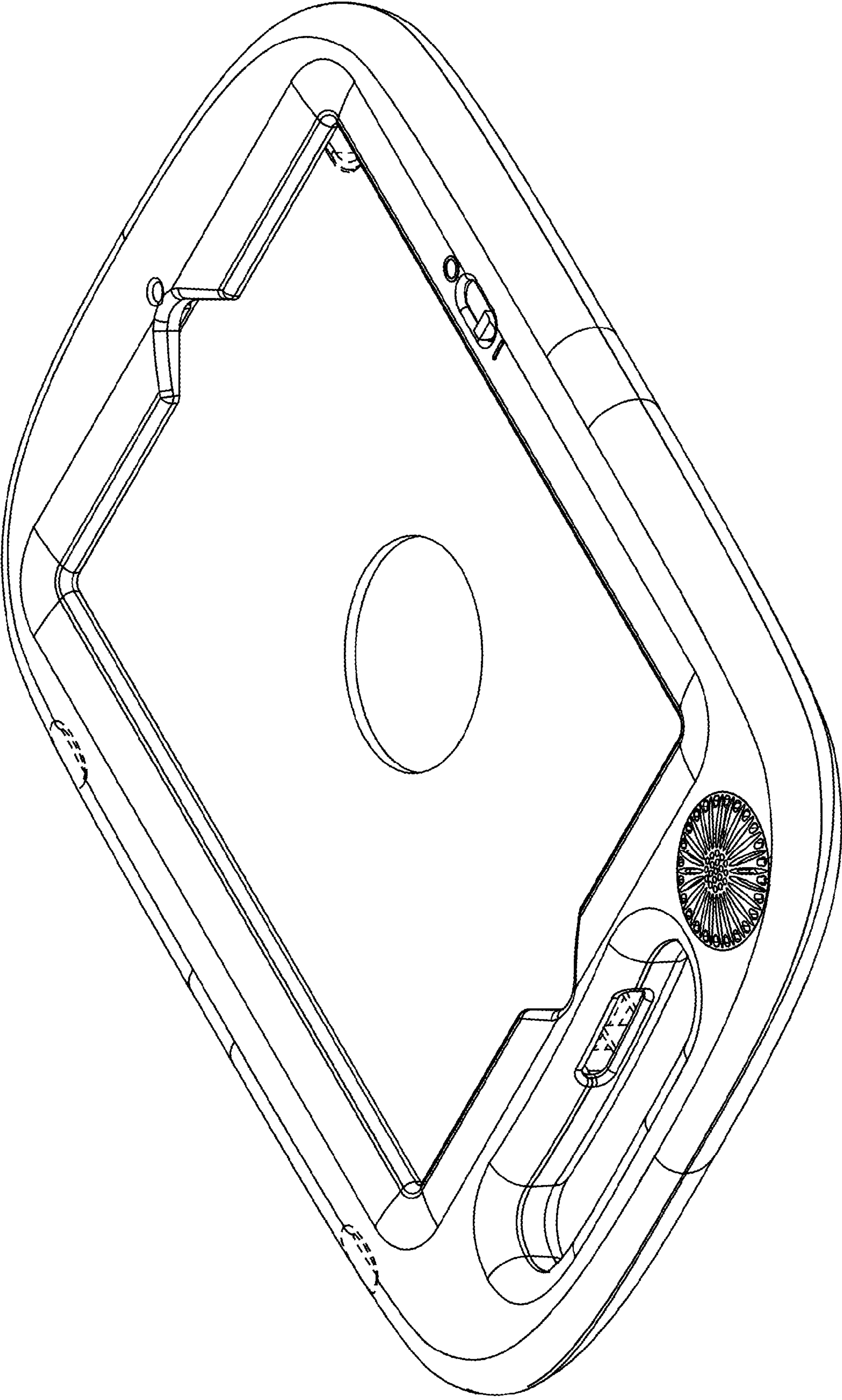


Figure 1

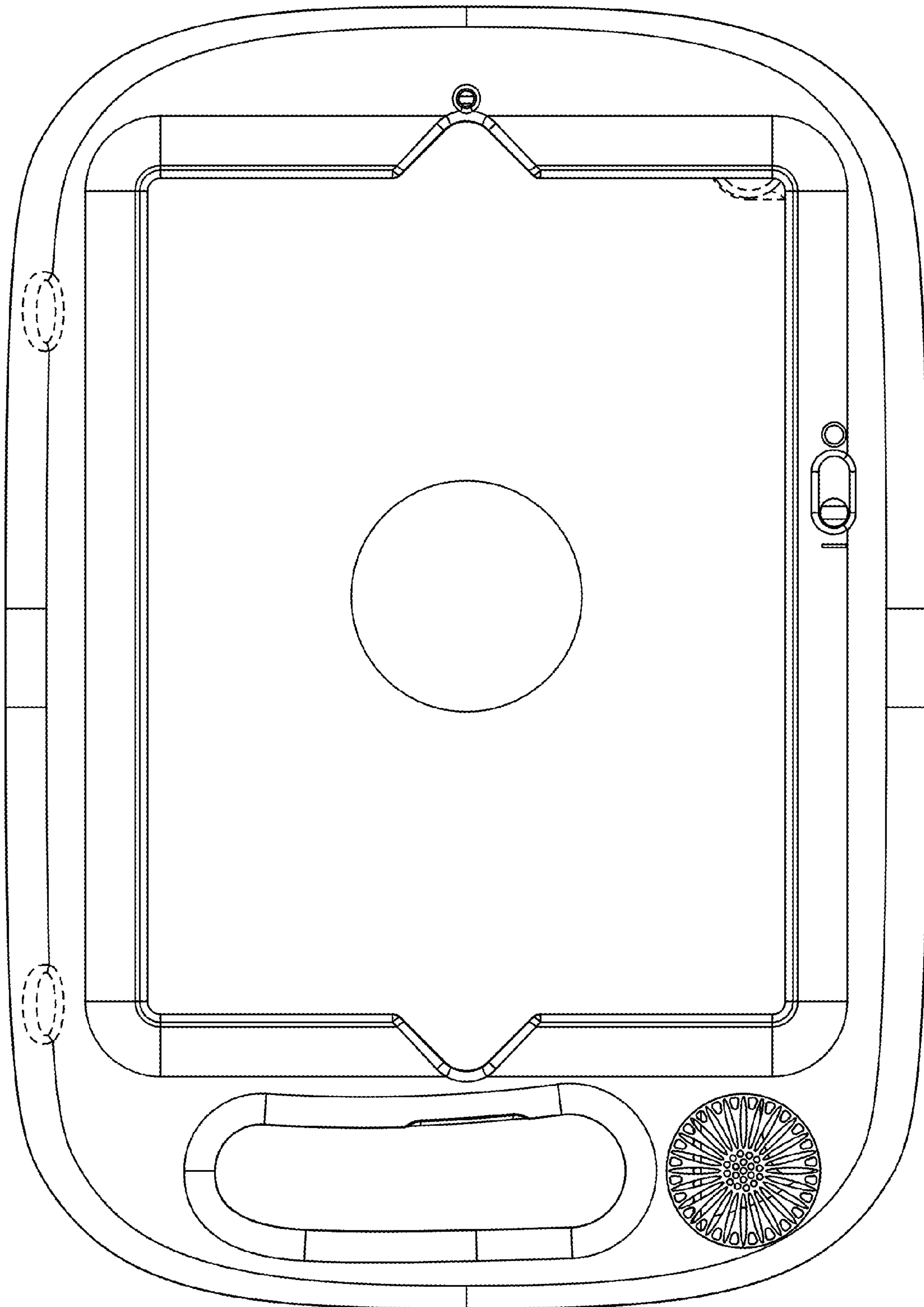


Figure 2

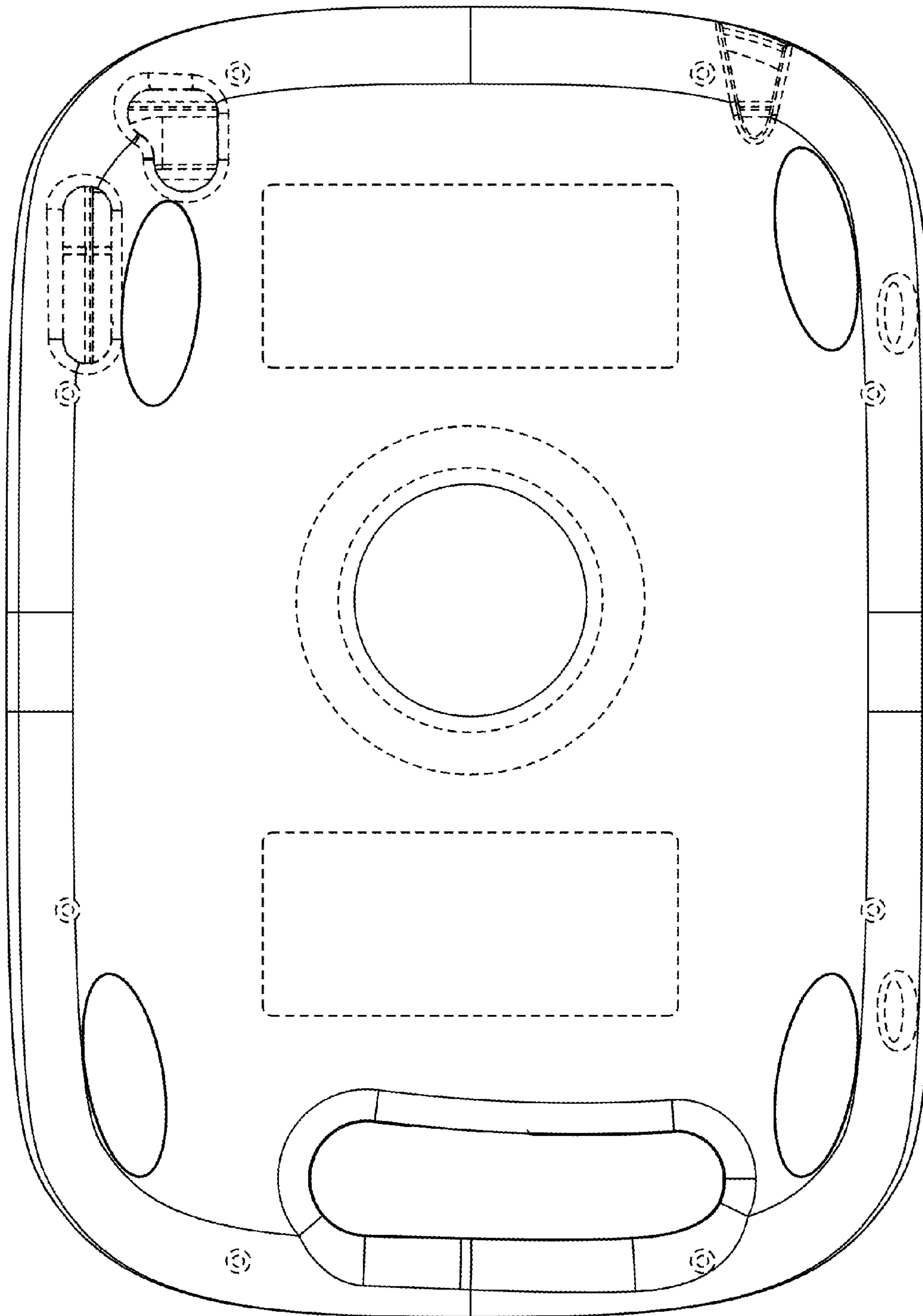


Figure 3

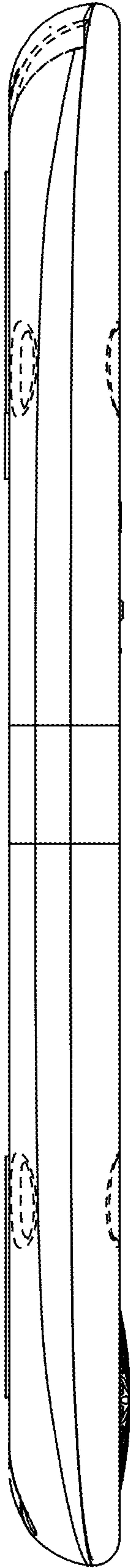


Figure 4

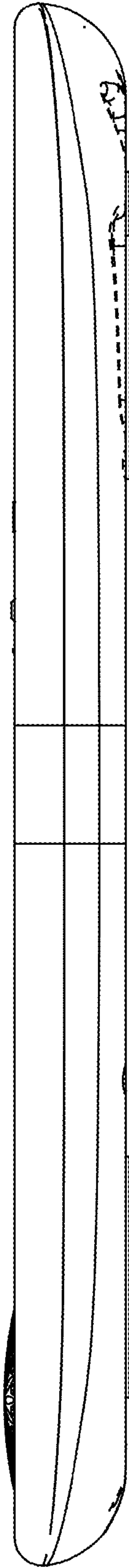


Figure 5

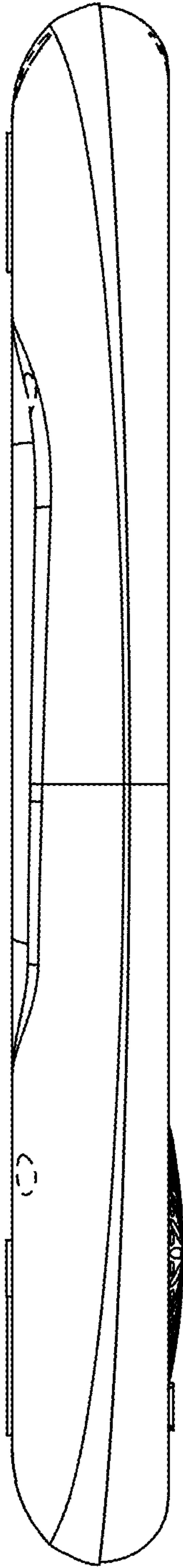


Figure 6

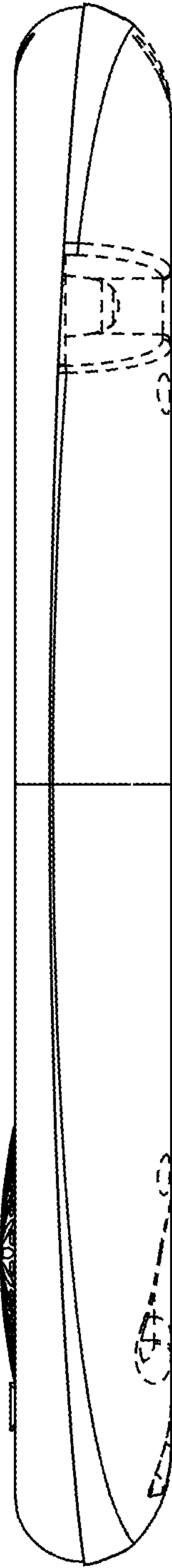


Figure 7