



US00D741334S

(12) **United States Design Patent**  
**Hillenmayer et al.**

(10) **Patent No.:** **US D741,334 S**  
(45) **Date of Patent:** **\*\* Oct. 20, 2015**

(54) **DOCKING STATION FOR TELEPHONE AND FLAT COMPUTER**

(71) Applicants: **Stefan Hillenmayer**, Munich (DE);  
**Patrick Treder**, Munich (DE)

(72) Inventors: **Stefan Hillenmayer**, Munich (DE);  
**Patrick Treder**, Munich (DE)

(73) Assignee: **Unify GmbH & Co. KG**, Munich (DE)

(\*\*) Term: **14 Years**

(21) Appl. No.: **29/480,604**

(22) Filed: **Jan. 28, 2014**

(30) **Foreign Application Priority Data**

Aug. 1, 2013 (DE) ..... 40 2013 003 523

(51) **LOC (10) Cl.** ..... **14-02**

(52) **U.S. Cl.**  
USPC ..... **D14/434**; D14/151

(58) **Field of Classification Search**  
USPC ..... D21/517; 455/557, 573, 575.1, 74.1;  
710/303, 304; D13/107, 108, 168;  
D10/65; D24/165, 169; D18/50  
CPC ..... H04M 1/02; H04M 1/04; H04M 1/72;  
H04M 1/725; H04M 1/72527; H02J 7/025;  
H02J 7/0027; H02J 7/0042; H02J 7/0044;  
B60R 11/0241; G06F 1/1632  
See application file for complete search history.

(56) **References Cited**

**U.S. PATENT DOCUMENTS**

D241,555 S *	9/1976	Goldman	.....	D13/107
D267,716 S *	1/1983	Janda	.....	D14/150
D276,228 S *	11/1984	Bartley et al.	.....	D14/142
D278,426 S *	4/1985	Lanci et al.	.....	D13/107
D278,704 S *	5/1985	Claxton et al.	.....	D13/107
D298,119 S *	10/1988	Richards et al.	.....	D13/108
D298,230 S *	10/1988	Lay	.....	D13/107
D301,227 S *	5/1989	Vories	.....	D13/107

D316,416 S *	4/1991	Cant et al.	.....	D14/252
D319,061 S *	8/1991	Powell et al.	.....	D14/240
D323,504 S *	1/1992	Langton	.....	D14/142
D327,247 S *	6/1992	Higuchi et al.	.....	D13/108
D328,450 S *	8/1992	Watanabe et al.	.....	D13/108
D335,861 S *	5/1993	Tattari	.....	D13/108
D349,485 S *	8/1994	Richards et al.	.....	D13/107
D350,353 S *	9/1994	Schulman	.....	D14/188
D351,384 S *	10/1994	Pena Angarita	.....	D14/149
D389,799 S *	1/1998	Somers	.....	D13/107
D411,835 S *	7/1999	Mizusugi et al.	.....	D14/434
D453,155 S *	1/2002	Michel	.....	D14/253
D461,814 S *	8/2002	Felix et al.	.....	D14/434
D468,258 S *	1/2003	Guo et al.	.....	D13/107
D483,016 S *	12/2003	Ma et al.	.....	D13/108
D488,440 S *	4/2004	Senda	.....	D13/108

(Continued)

**OTHER PUBLICATIONS**

Charging Bluetooth dock speaker. gadgetsin.com (online) 6 pgs. Uploaded May 15, 2013 [retrieved on May 21, 2015]. Retrieved from Internet: <<http://gadgetsin.com/the-charging-bluetooth-dock-speaker-for-tablet-and-smartphone.htm>>.\*

*Primary Examiner* — Susan Bennett Hattan

*Assistant Examiner* — Marie Fast Horse

(74) *Attorney, Agent, or Firm* — Buchanan Ingersoll & Rooney PC

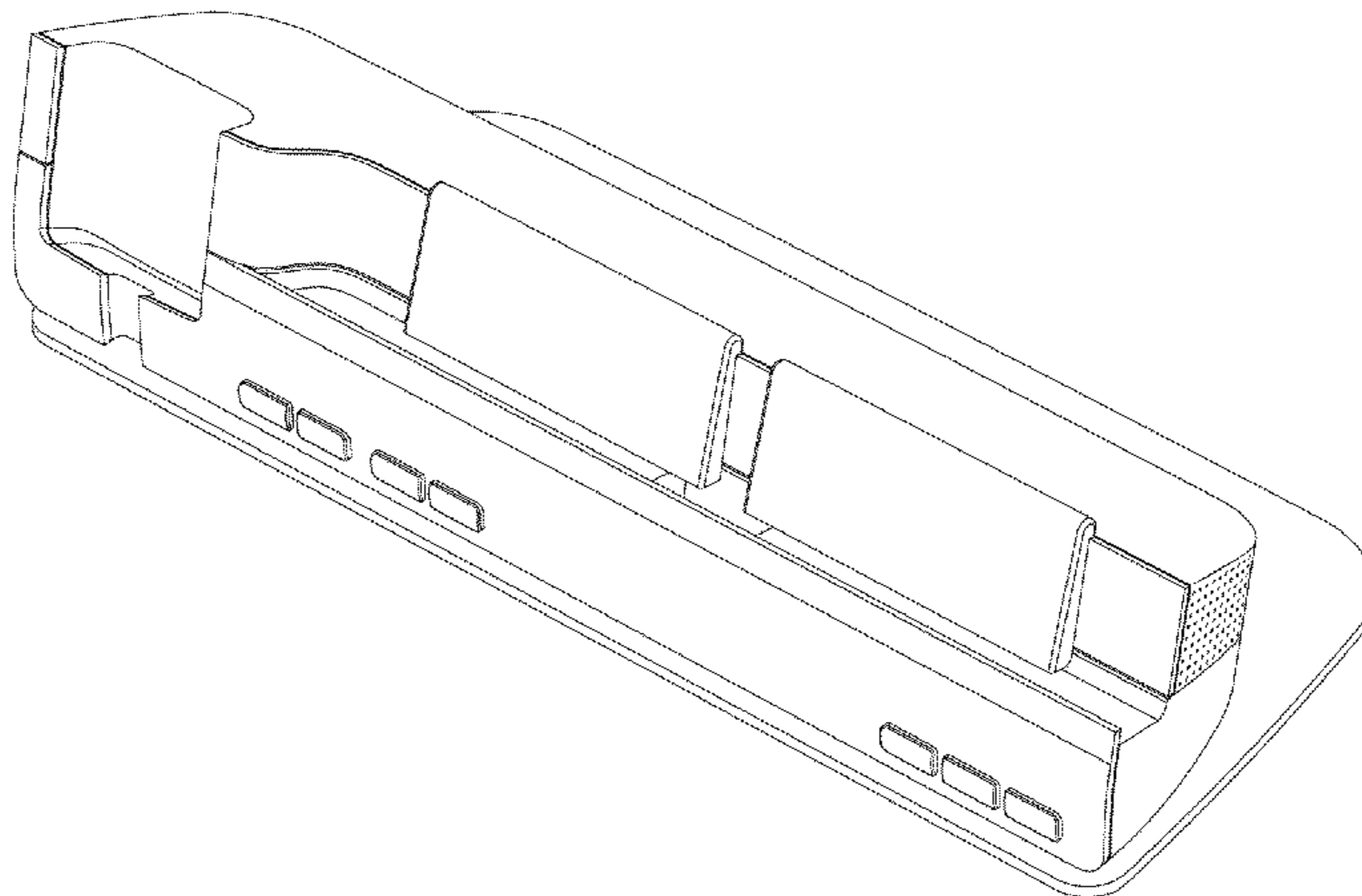
(57) **CLAIM**

The ornamental design for a docking station for telephone and flat computer, as shown and described.

**DESCRIPTION**

FIG. 1 is front perspective view of our docking station for telephone and flat computer;  
FIG. 2 is a top view thereof;  
FIG. 3 is a bottom view thereof;  
FIG. 4 is a front view thereof;  
FIG. 5 is a rear view thereof;  
FIG. 6 is a right side view thereof; and,  
FIG. 7 is a left side view thereof.

**1 Claim, 7 Drawing Sheets**



(56)

## References Cited

## U.S. PATENT DOCUMENTS

D489,323	S	*	5/2004	Yoshida	.....	D13/108
D506,972	S	*	7/2005	Parel et al.	.....	D13/107
D507,526	S	*	7/2005	Ohta	.....	D13/108
D519,921	S	*	5/2006	Claxton et al.	.....	D13/108
D525,935	S	*	8/2006	Hussaini et al.	.....	D13/108
D530,667	S	*	10/2006	Viduya et al.	.....	D13/107
D535,615	S	*	1/2007	Iwai	.....	D13/108
D535,942	S	*	1/2007	Kim	.....	D13/108
D540,327	S	*	4/2007	Wong et al.	.....	D14/434
D543,936	S	*	6/2007	Wada	.....	D13/108
D553,106	S	*	10/2007	Griffin	.....	D14/434
D555,632	S	*	11/2007	Iikura	.....	D14/499
D558,666	S	*	1/2008	Park et al.	.....	D13/108
D562,764	S	*	2/2008	Kingston et al.	.....	D13/108
D569,371	S	*	5/2008	Staros et al.	.....	D14/217
D575,786	S	*	8/2008	Solomon et al.	.....	D14/434
D577,665	S	*	9/2008	Kim et al.	.....	D13/107
D579,408	S	*	10/2008	Benyameen	.....	D13/107
D581,391	S	*	11/2008	Gonser et al.	.....	D14/149
D589,930	S	*	4/2009	McGeeney	.....	D14/172
D590,369	S	*	4/2009	Gonser et al.	.....	D14/149
D592,648	S	*	5/2009	L'Henaff et al.	.....	D14/240
D596,162	S	*	7/2009	Selvaraj et al.	.....	D14/217
D597,081	S	*	7/2009	Andre et al.	.....	D14/217
D598,006	S	*	8/2009	Tse	.....	D14/209.1
D598,453	S	*	8/2009	Solomon et al.	.....	D14/434
D599,782	S	*	9/2009	Tse	.....	D14/209.1
D599,801	S	*	9/2009	Skaf et al.	.....	D14/434
D607,879	S	*	1/2010	Ferber et al.	.....	D14/217
D619,996	S	*	7/2010	Demskie et al.	.....	D14/218
D628,562	S	*	12/2010	Akana et al.	.....	D14/217
D631,008	S	*	1/2011	Kuroda et al.	.....	D13/108
D631,009	S	*	1/2011	Son et al.	.....	D13/108
D639,810	S	*	6/2011	Hwang et al.	.....	D14/434
D642,121	S	*	7/2011	Lee et al.	.....	D13/108
D645,840	S	*	9/2011	Silvera	.....	D14/171
D645,867	S	*	9/2011	Wong et al.	.....	D14/447
D649,932	S	*	12/2011	Symons	.....	D13/108
D652,834	S	*	1/2012	Jones et al.	.....	D14/434
D653,232	S	*	1/2012	Jones et al.	.....	D14/144
D656,479	S	*	3/2012	Lin	.....	D14/188
D656,930	S	*	4/2012	Son	.....	D14/253
D657,741	S	*	4/2012	Fahrendorff et al.	.....	D13/108
D659,092	S	*	5/2012	Kawano et al.	.....	D13/108
D660,287	S	*	5/2012	McManigal	.....	D14/217
8,180,095	B2	*	5/2012	Zhang	.....	381/387
D662,083	S	*	6/2012	Akana et al.	.....	D14/217
D664,529	S	*	7/2012	Chuang	.....	D14/253
D666,145	S	*	8/2012	Kim et al.	.....	D13/108
8,335,545	B2	*	12/2012	Ham et al.	.....	455/573
D674,392	S	*	1/2013	Cheng et al.	.....	D14/434
D676,832	S	*	2/2013	Akana et al.	.....	D14/217
D677,244	S	*	3/2013	Funayama	.....	D14/209.1
D682,840	S	*	5/2013	Tsai et al.	.....	D14/447
D685,322	S	*	7/2013	Szymanski et al.	.....	D13/108
D685,795	S	*	7/2013	Paschke et al.	.....	D14/434
D685,796	S	*	7/2013	Paschke et al.	.....	D14/434
D685,797	S	*	7/2013	Fahrendorff et al.	.....	D14/434
D687,773	S	*	8/2013	Huang et al.	.....	D13/108
D688,201	S	*	8/2013	Mecca et al.	.....	D13/108
D688,202	S	*	8/2013	Mecca et al.	.....	D13/108
D688,235	S	*	8/2013	Song	.....	D14/253
D693,607	S	*	11/2013	Johnson et al.	.....	D6/672
8,593,802	B1	*	11/2013	Strauser	.....	361/679.3
D697,921	S	*	1/2014	Oh et al.	.....	D14/447
D702,243	S	*	4/2014	Oh et al.	.....	D14/447
D711,870	S	*	8/2014	Johnson et al.	.....	D14/307
D711,885	S	*	8/2014	Ohshima et al.	.....	D14/434
D712,369	S	*	9/2014	Yoshida	.....	D14/142
D712,396	S	*	9/2014	Johnson et al.	.....	D14/307
D712,828	S	*	9/2014	Delrue et al.	.....	D13/108
D716,763	S	*	11/2014	Niho et al.	.....	D14/209.1
RE45,320	E	*	1/2015	Jaffe et al.	.....	361/679.41
D727,291	S	*	4/2015	Hillenmayer et al.	.....	D14/209.1
2002/0090919	A1	*	7/2002	Hofman	.....	455/90
2003/0090179	A1	*	5/2003	Tsubai	.....	312/223.1
2005/0202810	A1	*	9/2005	LaPallo	.....	455/426.1
2005/0255895	A1	*	11/2005	Lee et al.	.....	455/573
2006/0121953	A1	*	6/2006	Park et al.	.....	455/573
2007/0002533	A1	*	1/2007	Kogan et al.	.....	361/686
2007/0288678	A1	*	12/2007	Langberg et al.	.....	710/303
2012/0046074	A1	*	2/2012	Gittleman et al.	.....	455/557
2013/0217448	A1	*	8/2013	Kim et al.	.....	455/575.1
2013/0219098	A1	*	8/2013	Turnpenny et al.	.....	710/303

\* cited by examiner

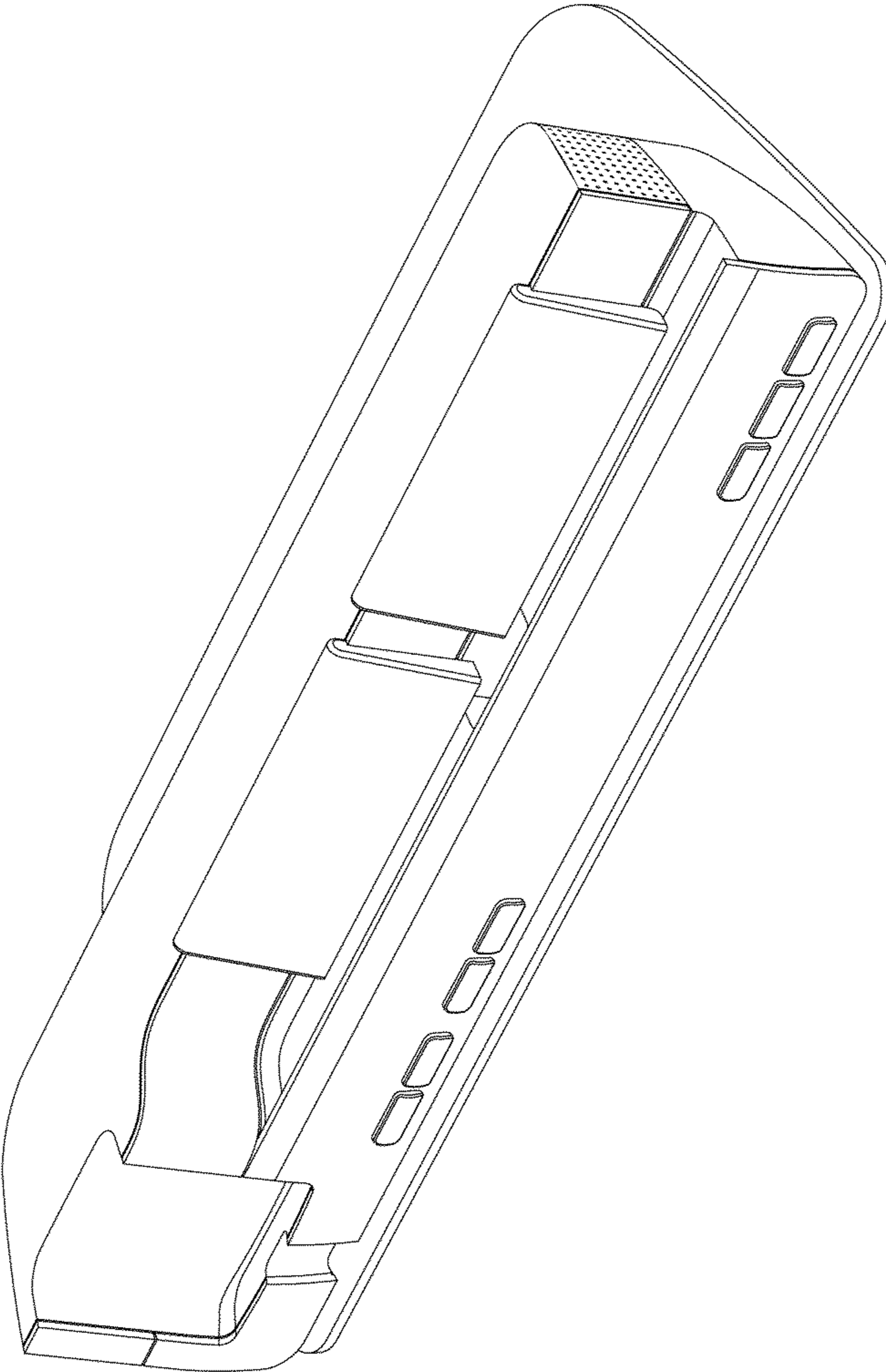


FIG. 1

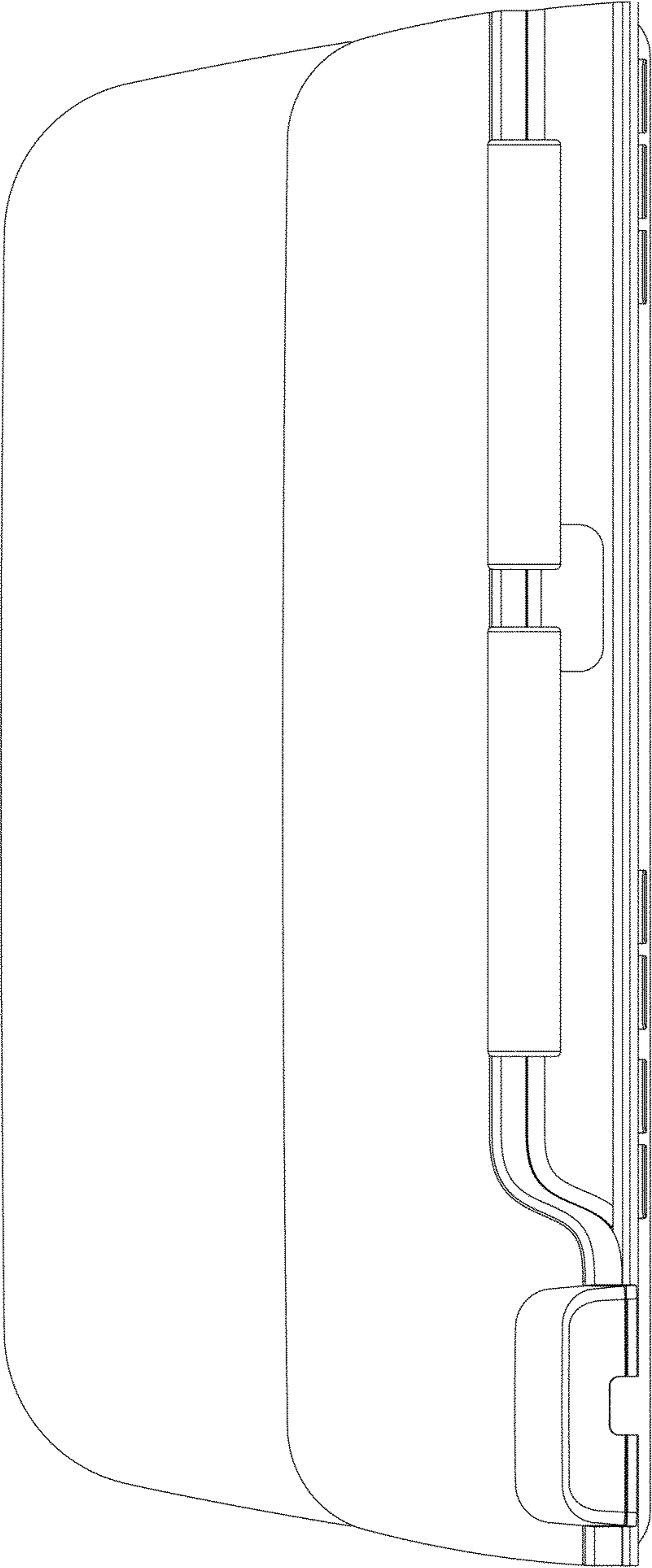


FIG. 2

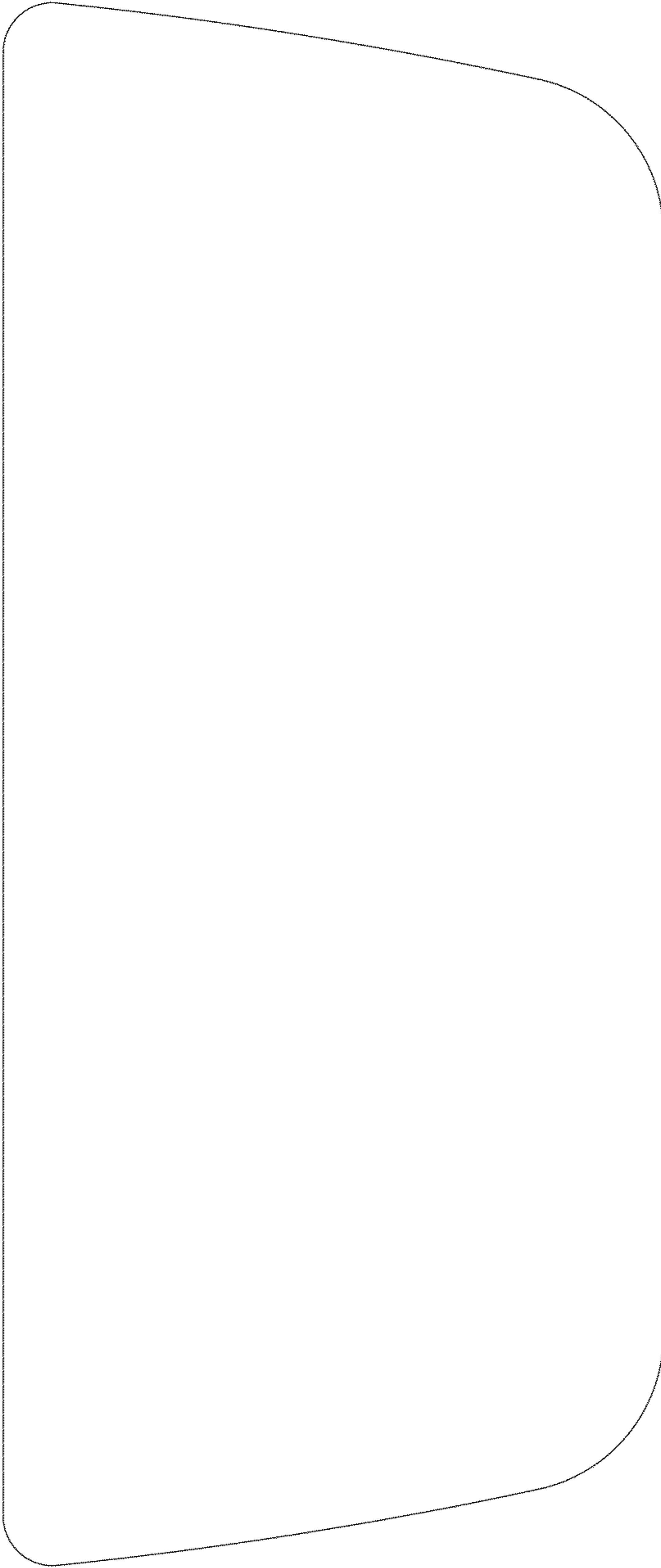


FIG. 3

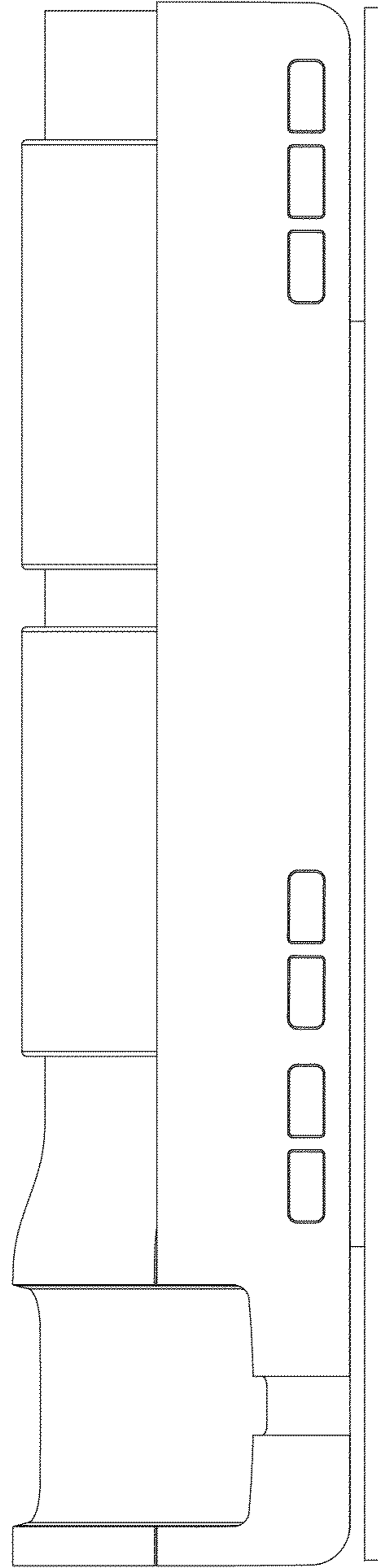


FIG. 4

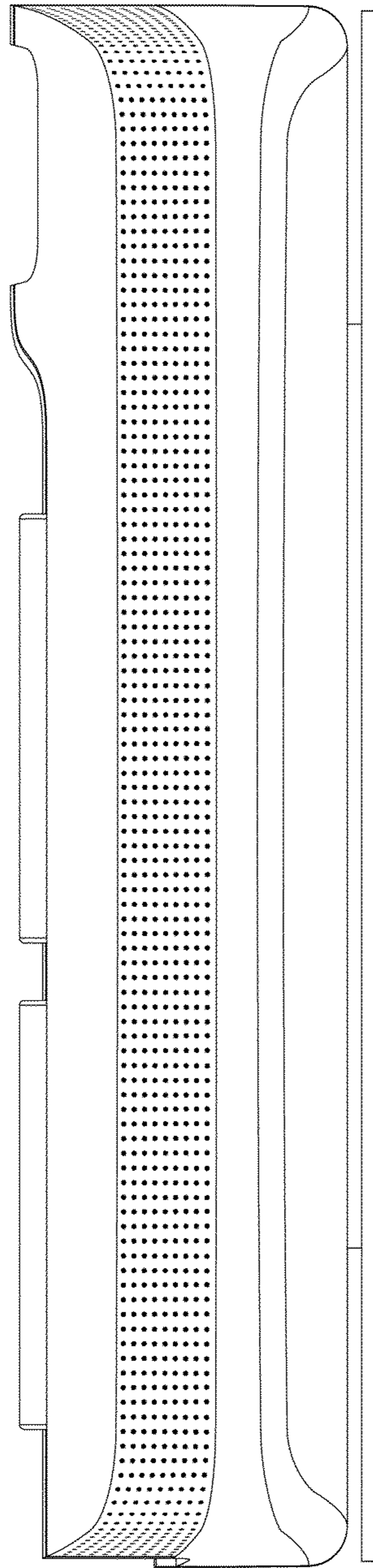


FIG. 5

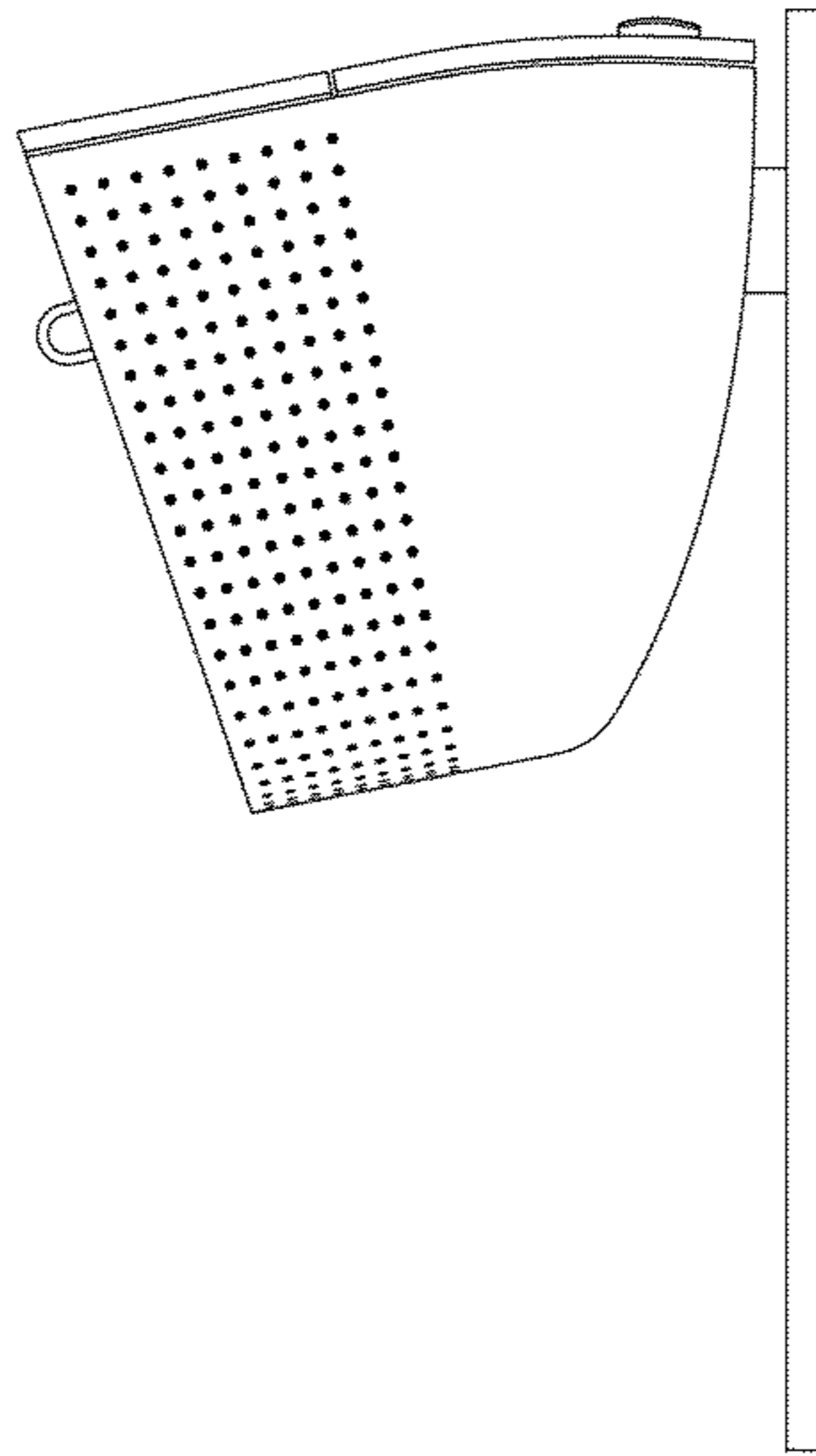


FIG. 6



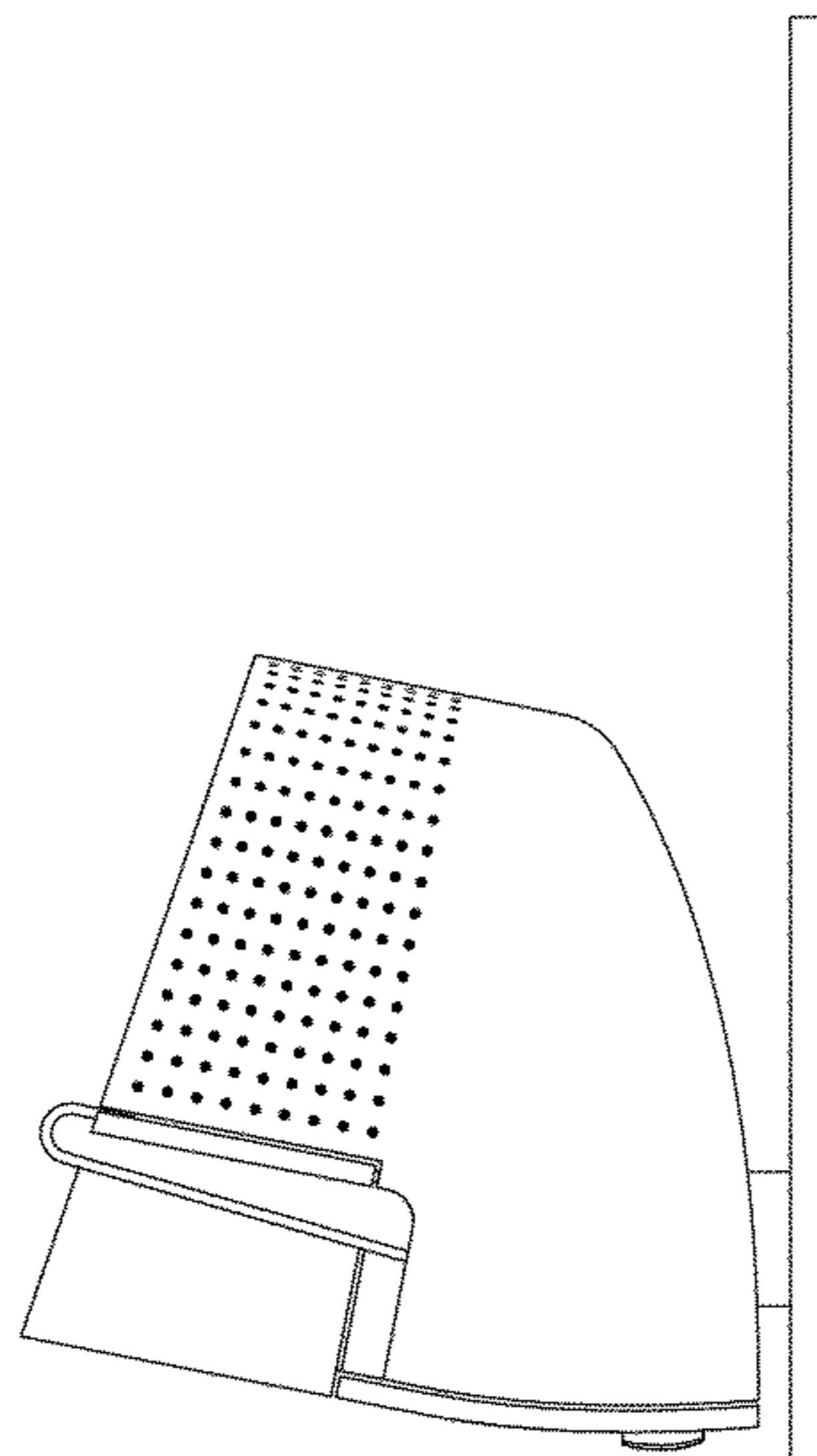


FIG. 7