



US00D741333S

(12) **United States Design Patent**  
**Aoyagi et al.**

(10) **Patent No.:** **US D741,333 S**  
(45) **Date of Patent:** **\*\* Oct. 20, 2015**

(54) **COMPONENT FOR ELECTRONIC DEVICE**

(71) Applicant: **Apple Inc.**, Cupertino, CA (US)

(72) Inventors: **Shota Aoyagi**, San Francisco, CA (US);  
**Martin Auclair**, Cupertino, CA (US);  
**Richard P. Howarth**, San Francisco, CA  
(US); **Jared Kole**, San Francisco, CA  
(US); **Scott A. Myers**, San Francisco,  
CA (US); **David A. Pakula**, San  
Francisco, CA (US)

(73) Assignee: **Apple Inc.**, Cupertino, CA (US)

(\*\*) Term: **14 Years**

(21) Appl. No.: **29/501,052**

(22) Filed: **Aug. 29, 2014**

(51) **LOC (10) Cl.** ..... **14-02**

(52) **U.S. Cl.**  
USPC ..... **D14/432**

(58) **Field of Classification Search**  
USPC ..... D14/300–302, 308–313, 314, 348,  
D14/353–355, 432, 439–446, 240;  
361/679.02, 679.31, 679.5, 690, 694,  
361/679.23, 801, 802; 312/332.1, 334.1;  
D13/162; D10/50  
CPC ..... A45C 11/00; A45C 2011/003; B60R  
11/0241; B60R 11/0252; F16M 13/00; F16M  
11/00

See application file for complete search history.

(56) **References Cited**

**U.S. PATENT DOCUMENTS**

D391,938 S *	3/1998	D'Agaro et al.	.....	D14/439
D485,562 S *	1/2004	Goto	.....	D14/439
D499,399 S *	12/2004	Hao	.....	D14/240
D556,204 S *	11/2007	Tosh et al.	.....	D14/439
D565,573 S *	4/2008	Alo et al.	.....	D14/439
D577,026 S *	9/2008	Wang et al.	.....	D14/439

D589,517 S *	3/2009	Chien et al.	.....	D14/439
D606,546 S *	12/2009	Morooka et al.	.....	D14/439
D607,459 S *	1/2010	Skillman et al.	.....	D14/439
8,238,595 B2 *	8/2012	Horowitz et al.	.....	381/345
8,265,323 B2 *	9/2012	Stiehl et al.	.....	381/371
D677,664 S *	3/2013	Akana et al.	.....	D14/439
D688,248 S *	8/2013	Tsuda et al.	.....	D14/439
D692,427 S *	10/2013	Janson	.....	D14/388
D702,242 S *	4/2014	Tsuda et al.	.....	D14/439
8,718,316 B2 *	5/2014	Much et al.	.....	381/386
D729,809 S *	5/2015	Akana et al.	.....	D14/439
D732,540 S *	6/2015	Kang et al.	.....	D14/439
D735,726 S *	8/2015	Chen	.....	D14/439

\* cited by examiner

*Primary Examiner* — Austin Murphy

(74) *Attorney, Agent, or Firm* — Sterne, Kessler, Goldstein & Fox P.L.L.C.

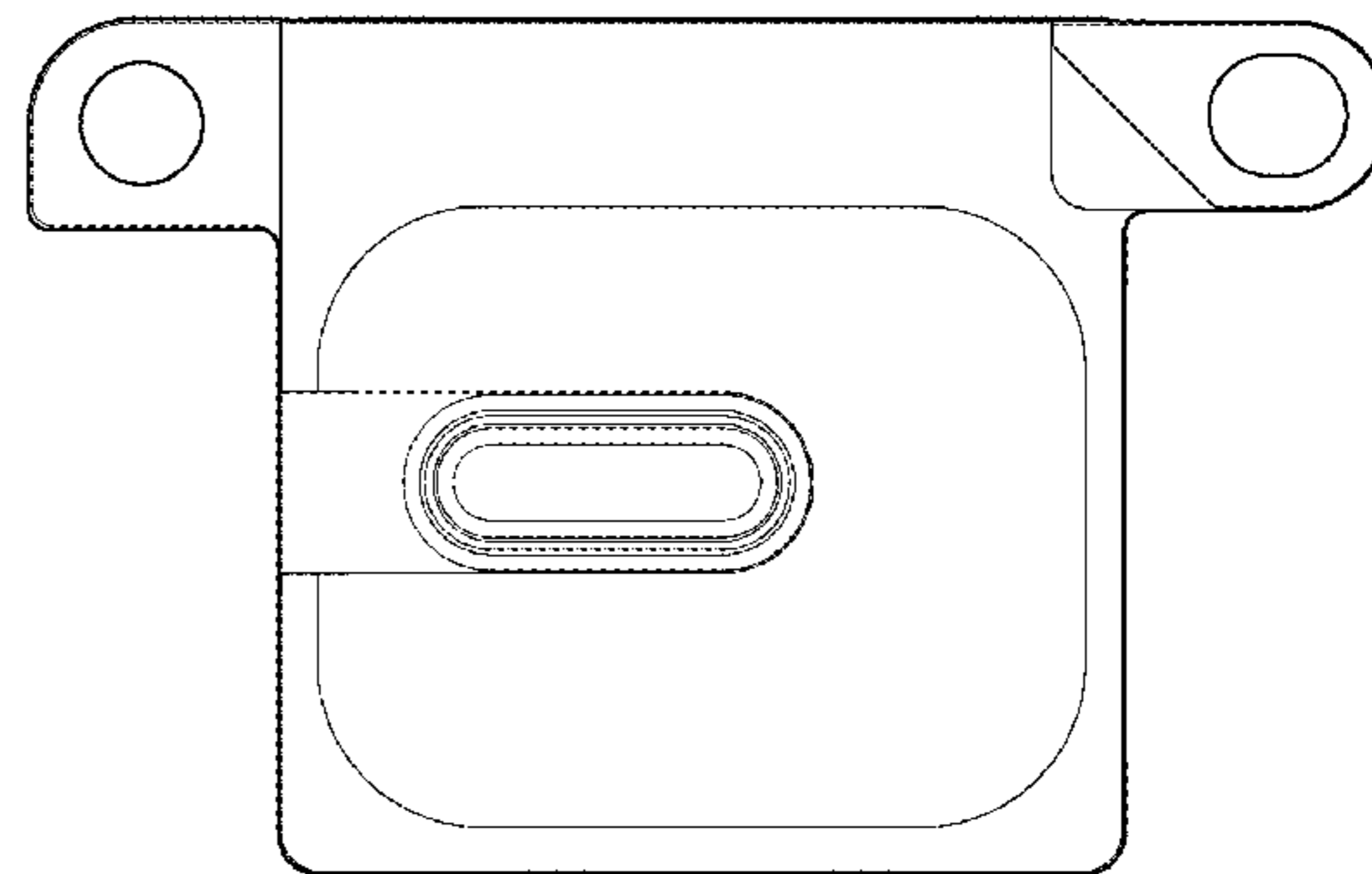
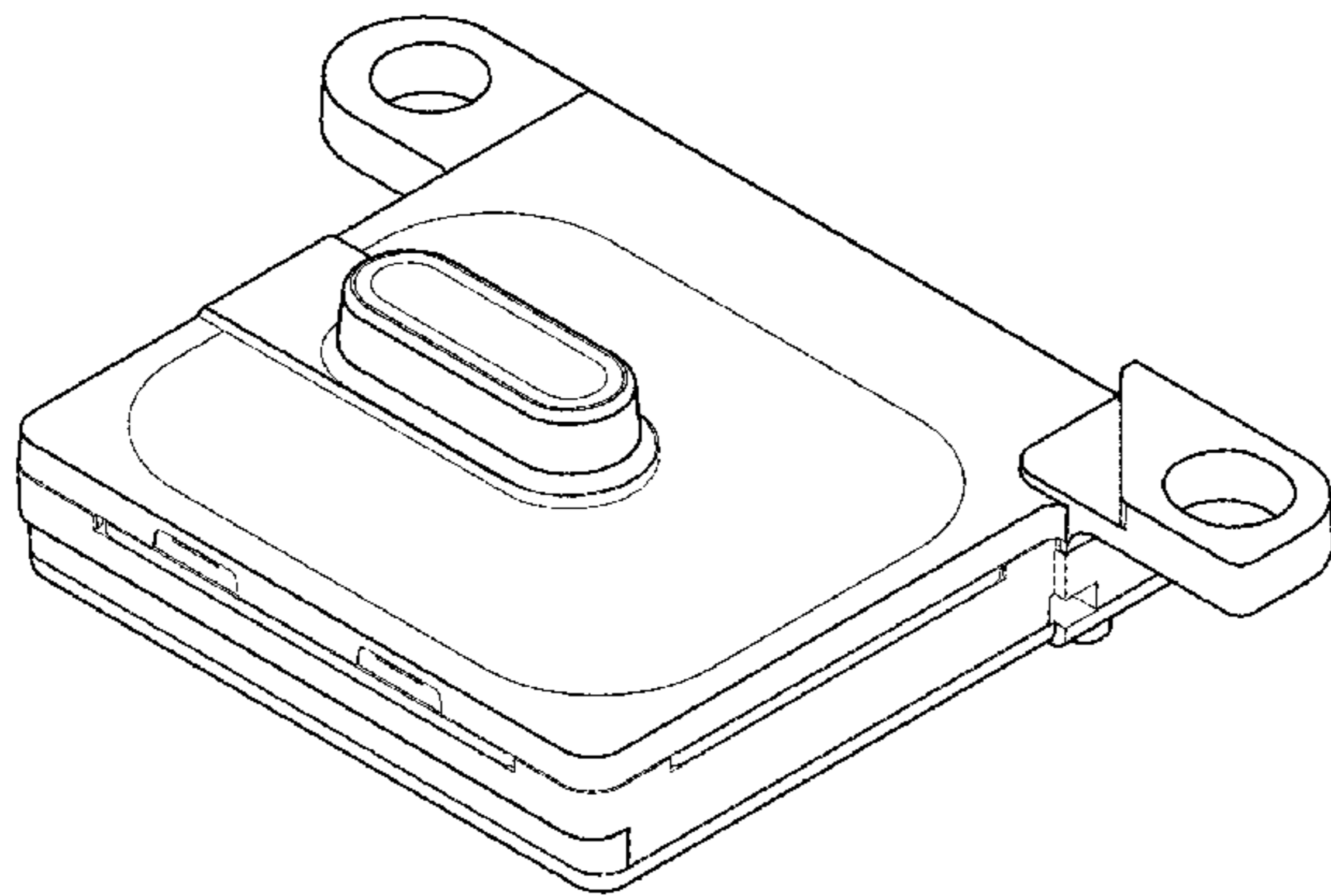
(57) **CLAIM**

The ornamental design for a component for electronic device, as shown and described.

**DESCRIPTION**

FIG. 1 is a front perspective view of a component for electronic device showing our new design;  
FIG. 2 is a front view thereof;  
FIG. 3 is a rear view thereof;  
FIG. 4 is a left side view thereof;  
FIG. 5 is a right side view thereof;  
FIG. 6 is a top view thereof;  
FIG. 7 is a bottom view thereof;  
FIG. 8 is a front perspective view of another embodiment of a component for electronic device showing our new design;  
FIG. 9 is a front view thereof;  
FIG. 10 is a rear view thereof;  
FIG. 11 is a left side view thereof;  
FIG. 12 is a right side view thereof;  
FIG. 13 is a top view thereof; and,  
FIG. 14 is a bottom view thereof.

**1 Claim, 14 Drawing Sheets**



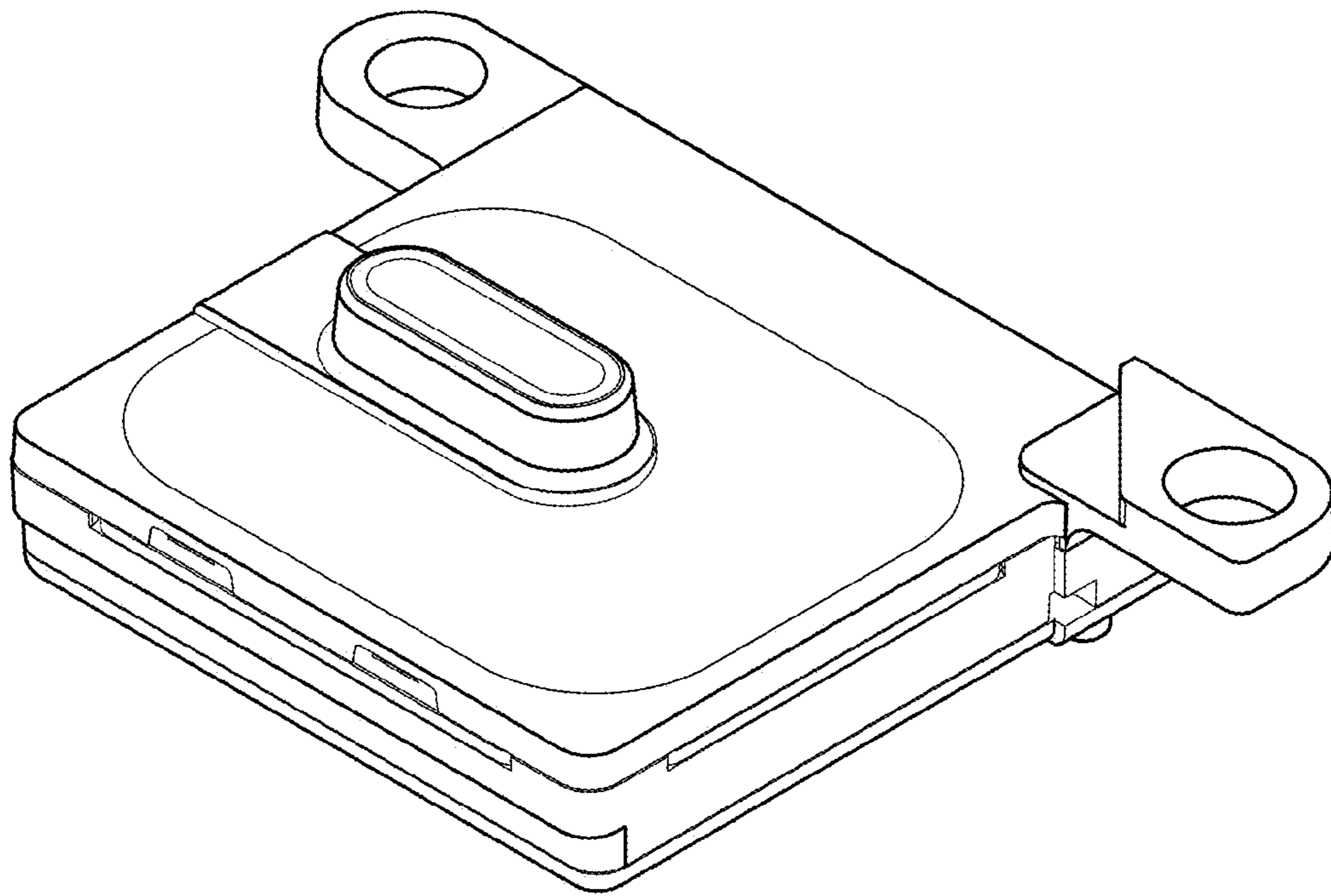
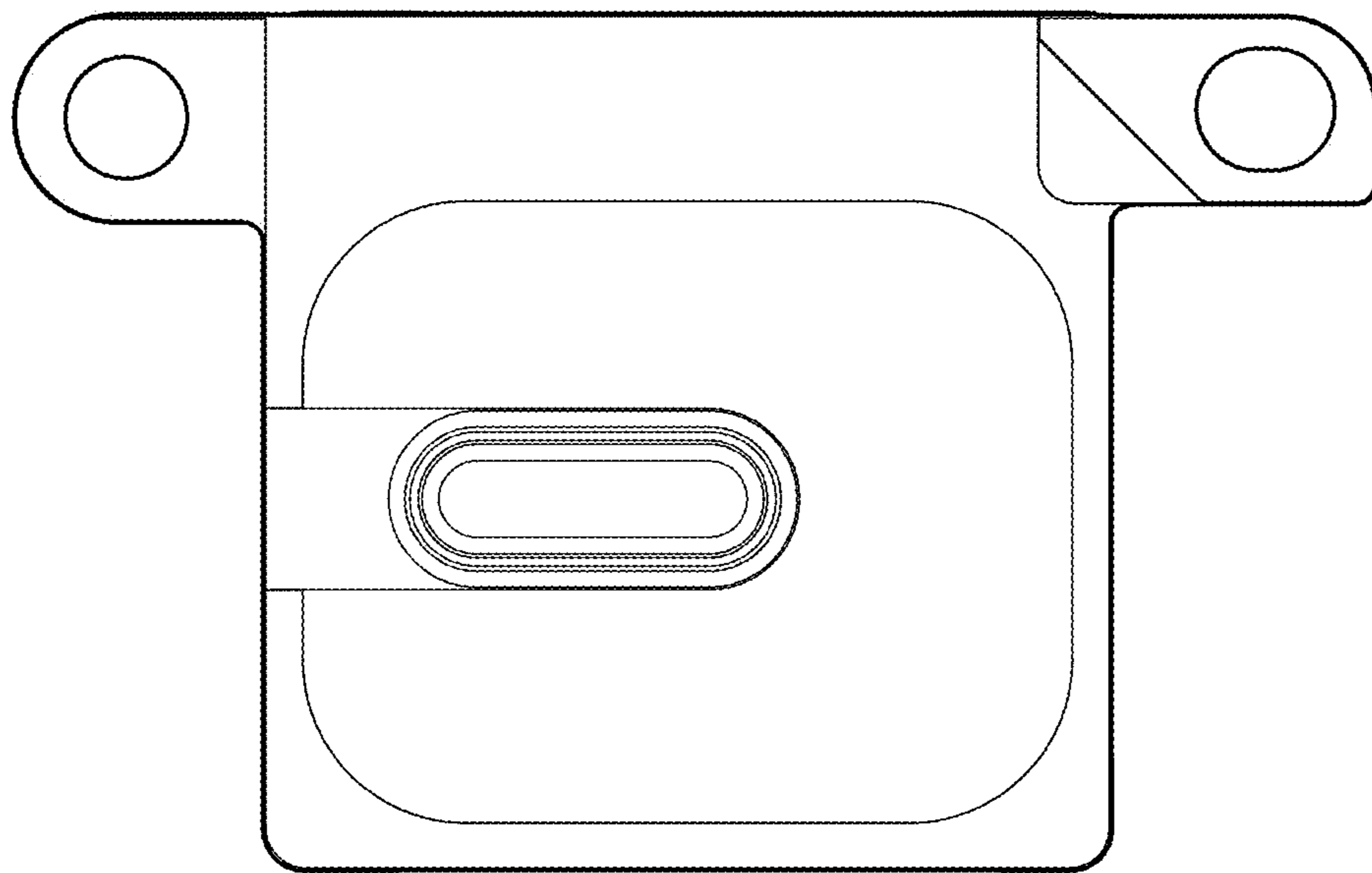


FIG.1



**FIG.2**

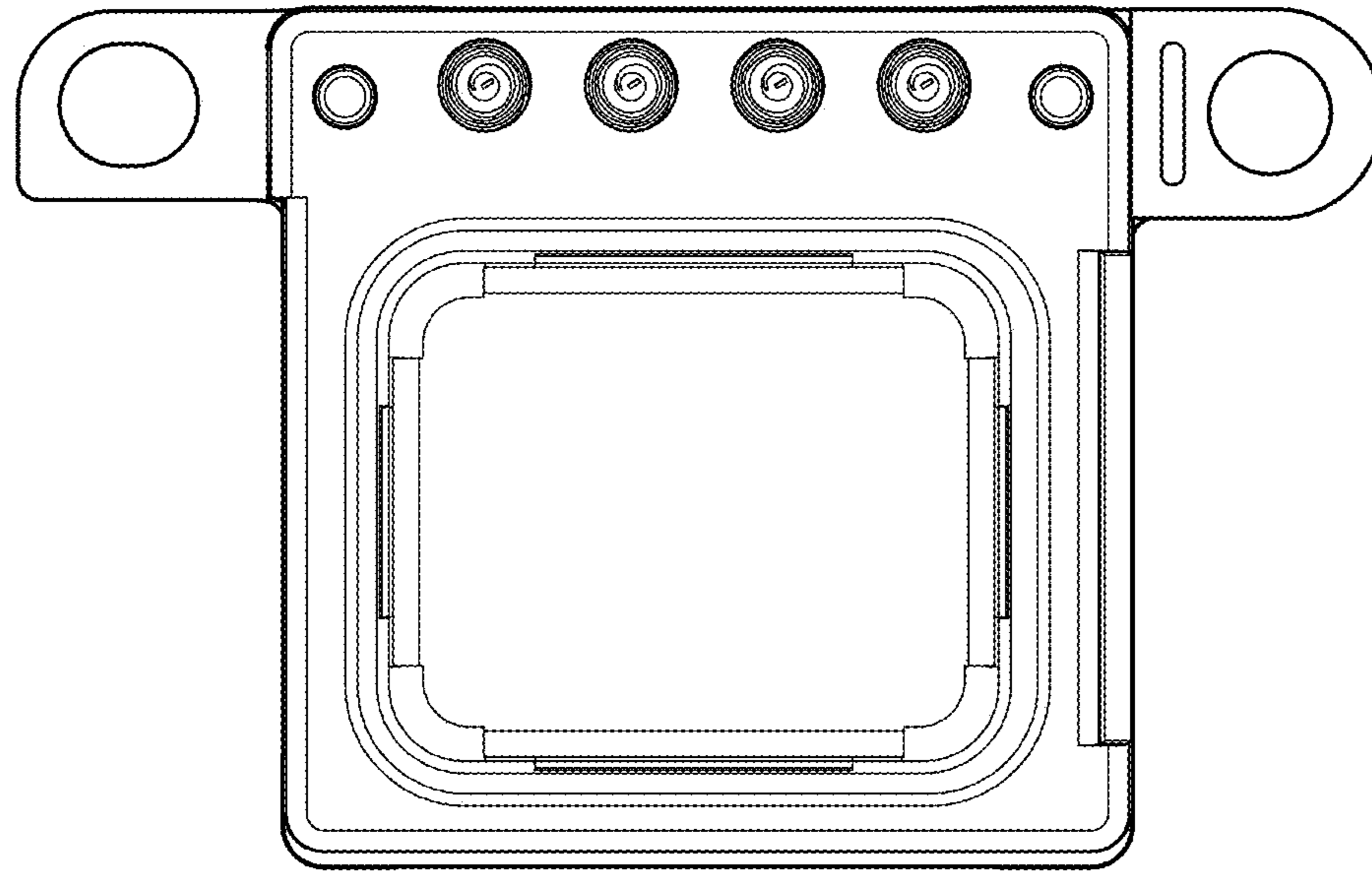
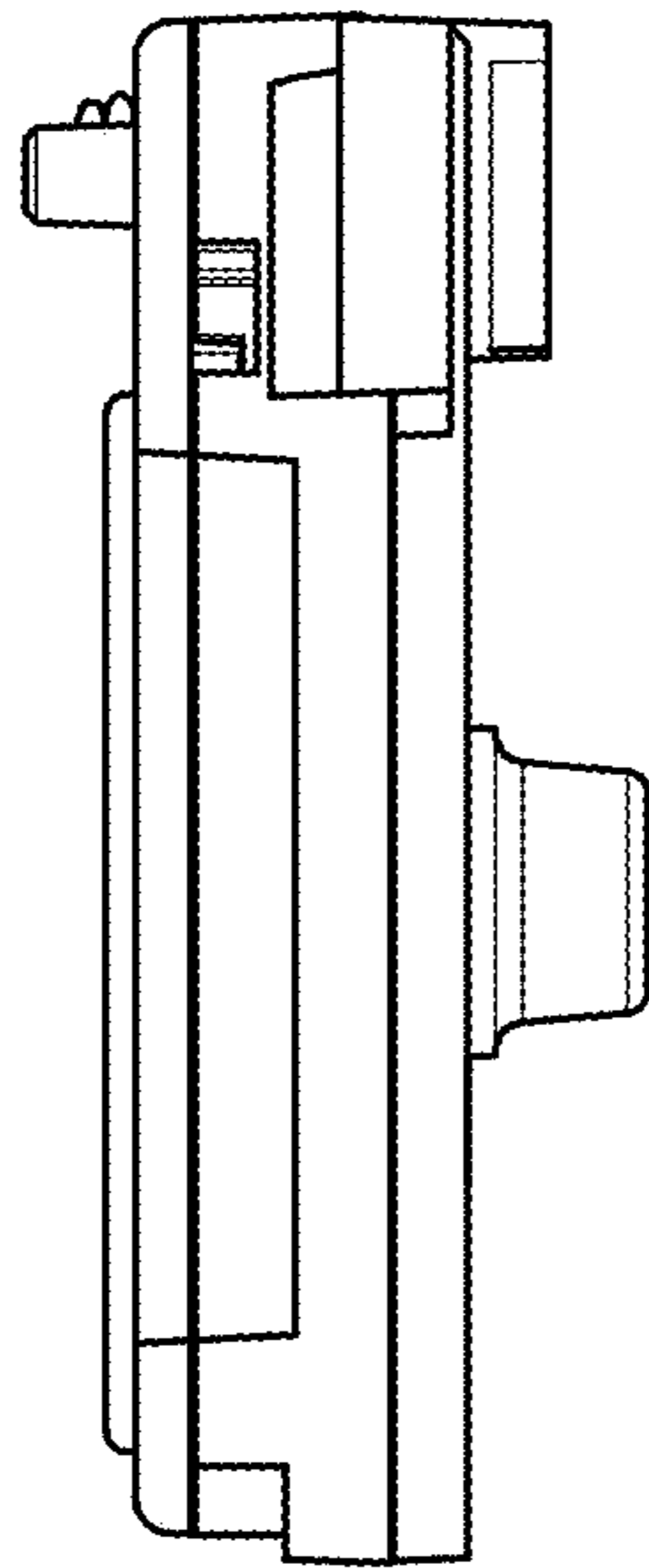
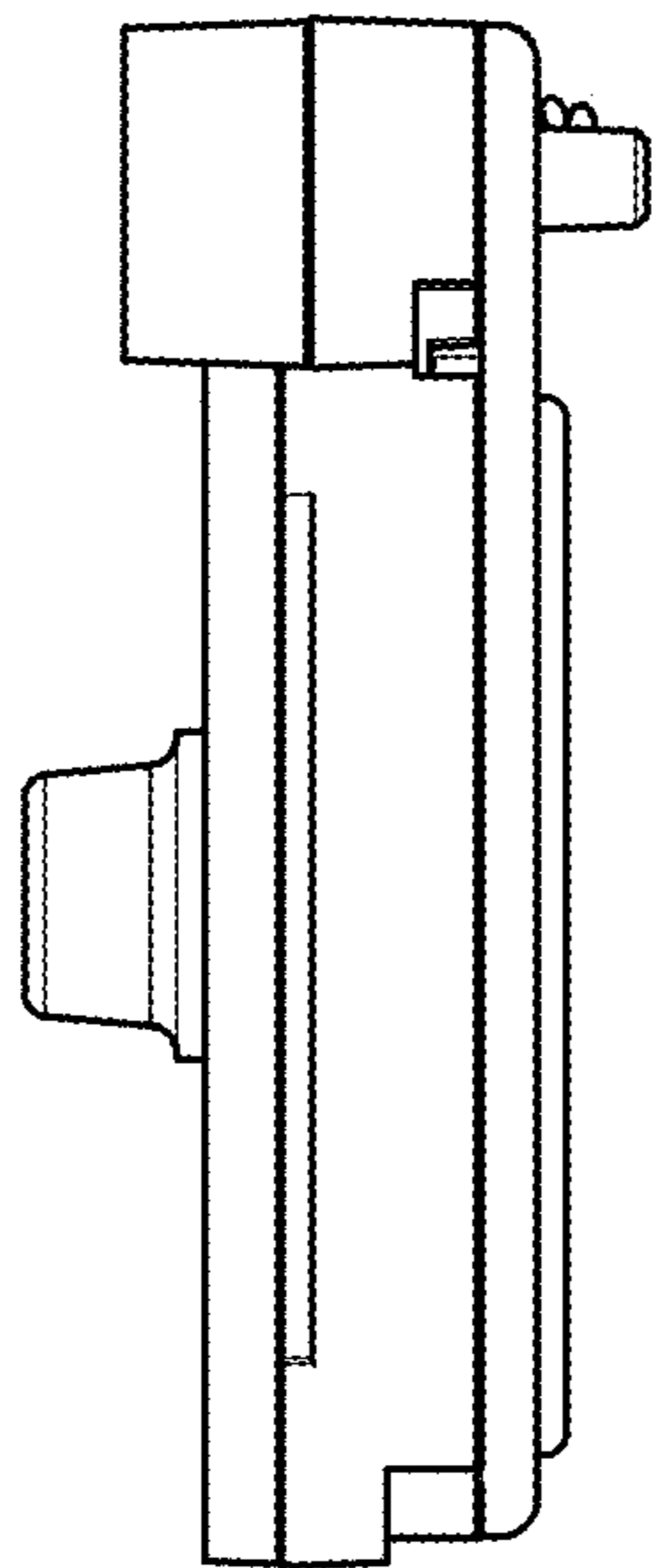


FIG.3



**FIG. 4**



**FIG.5**

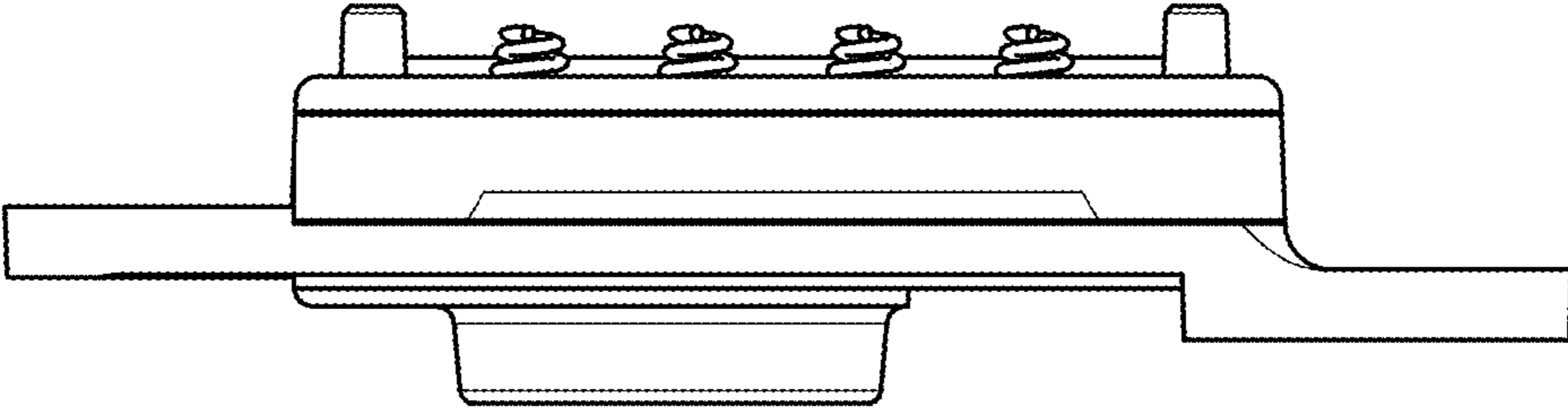
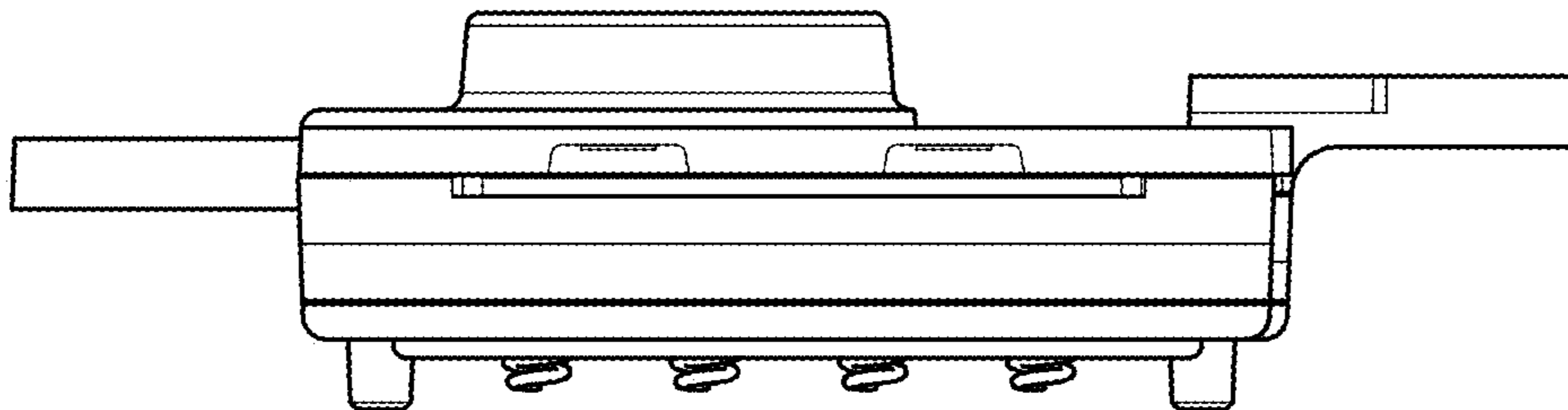


FIG.6



**FIG. 7**



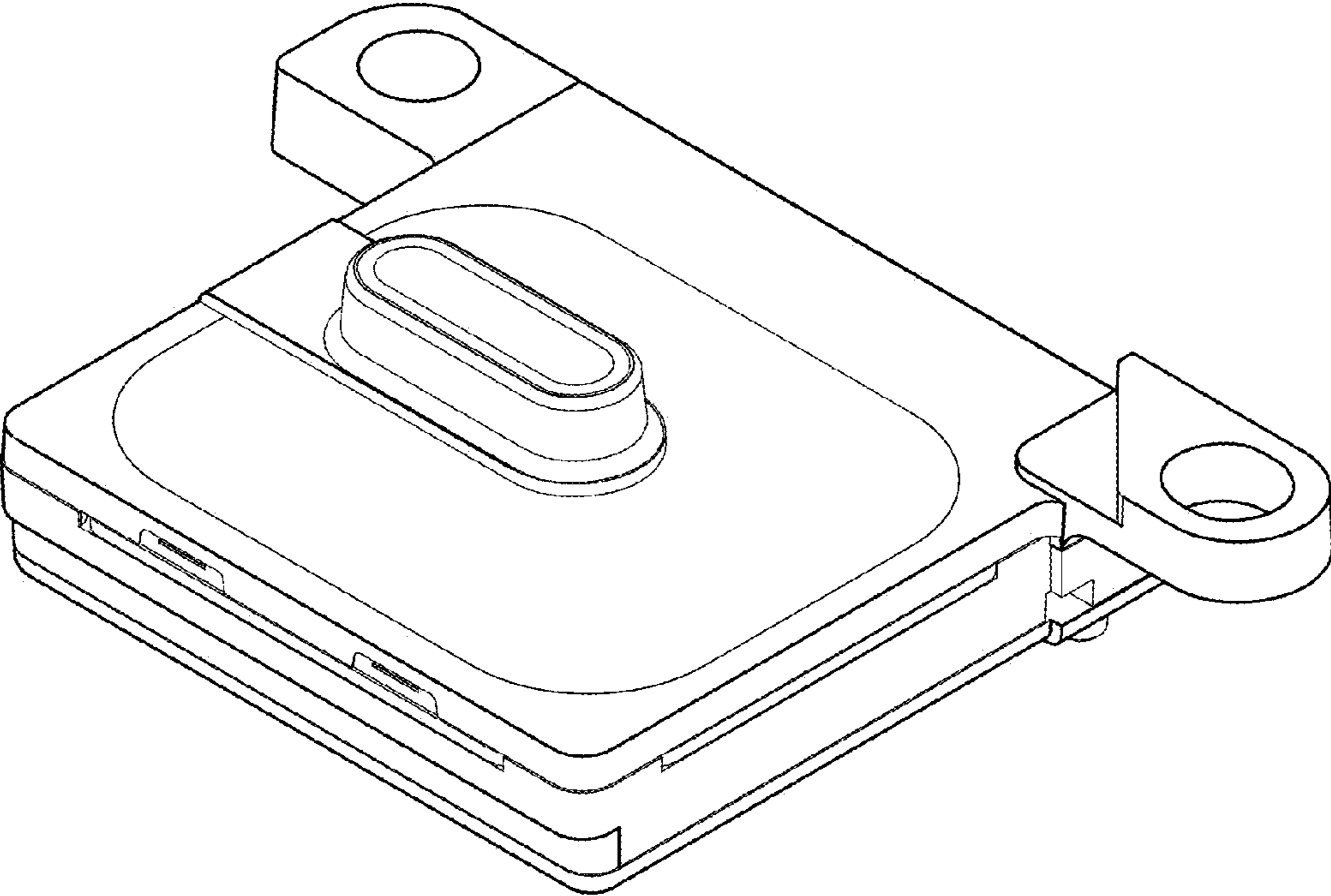
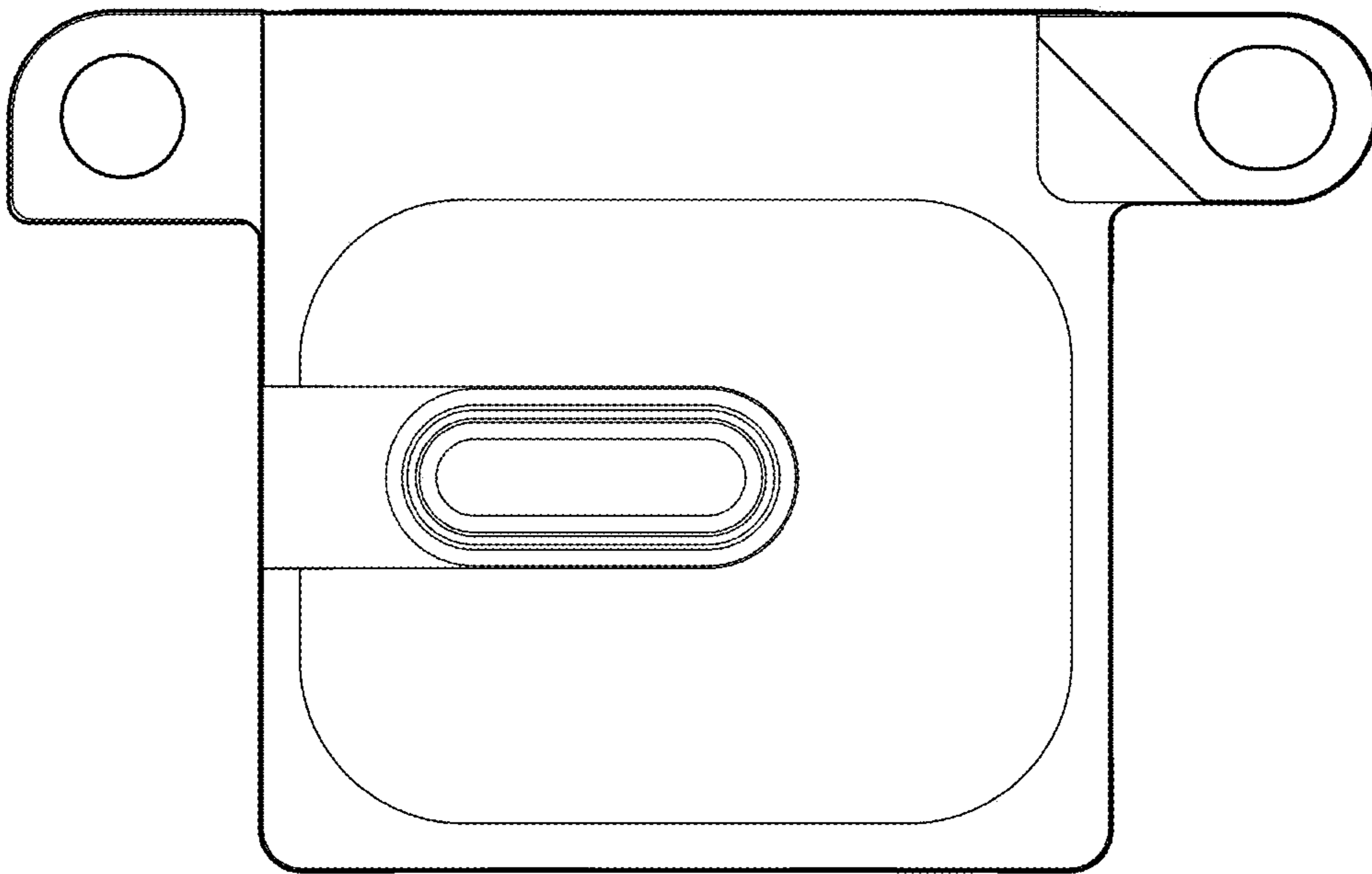
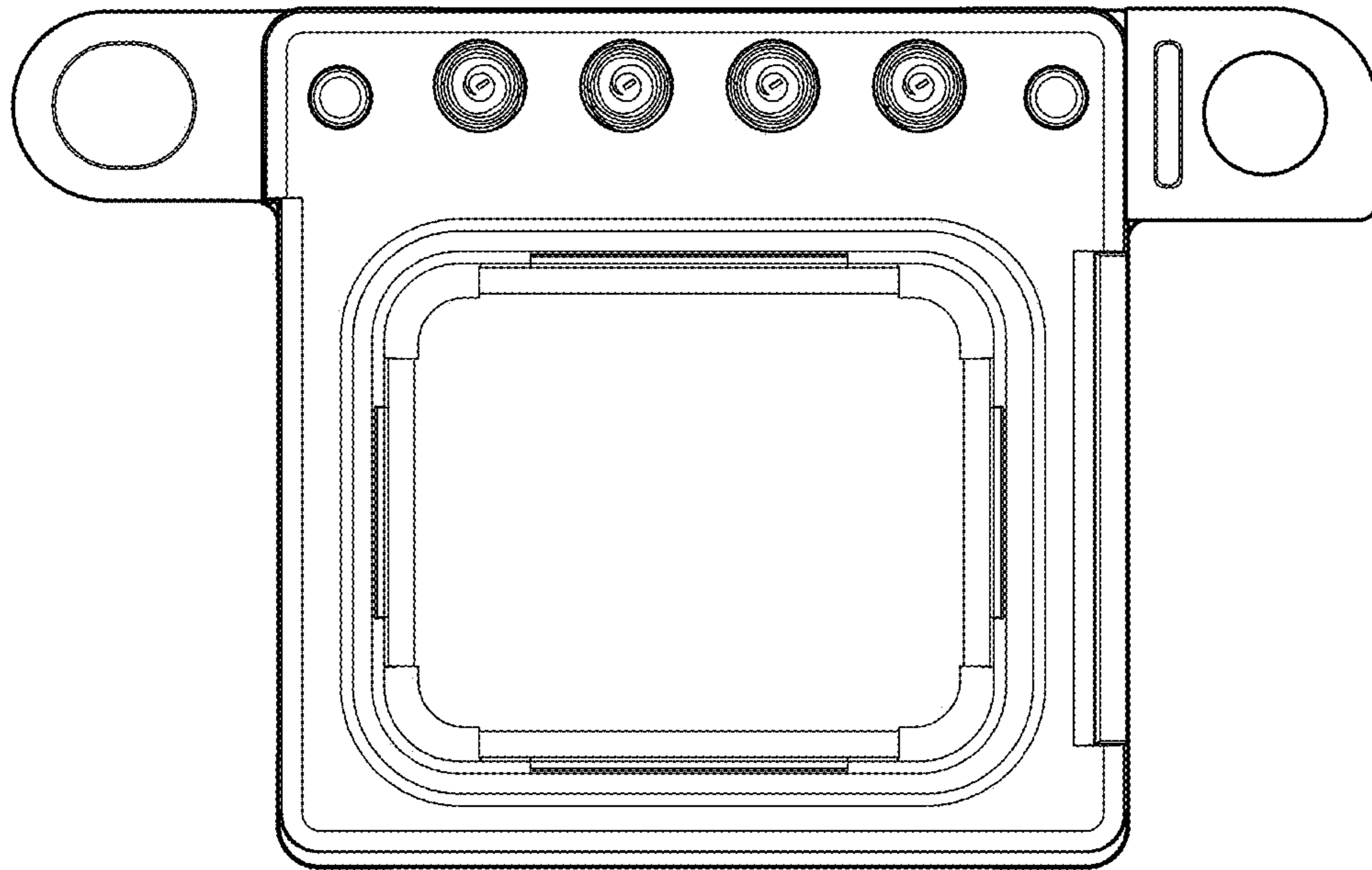


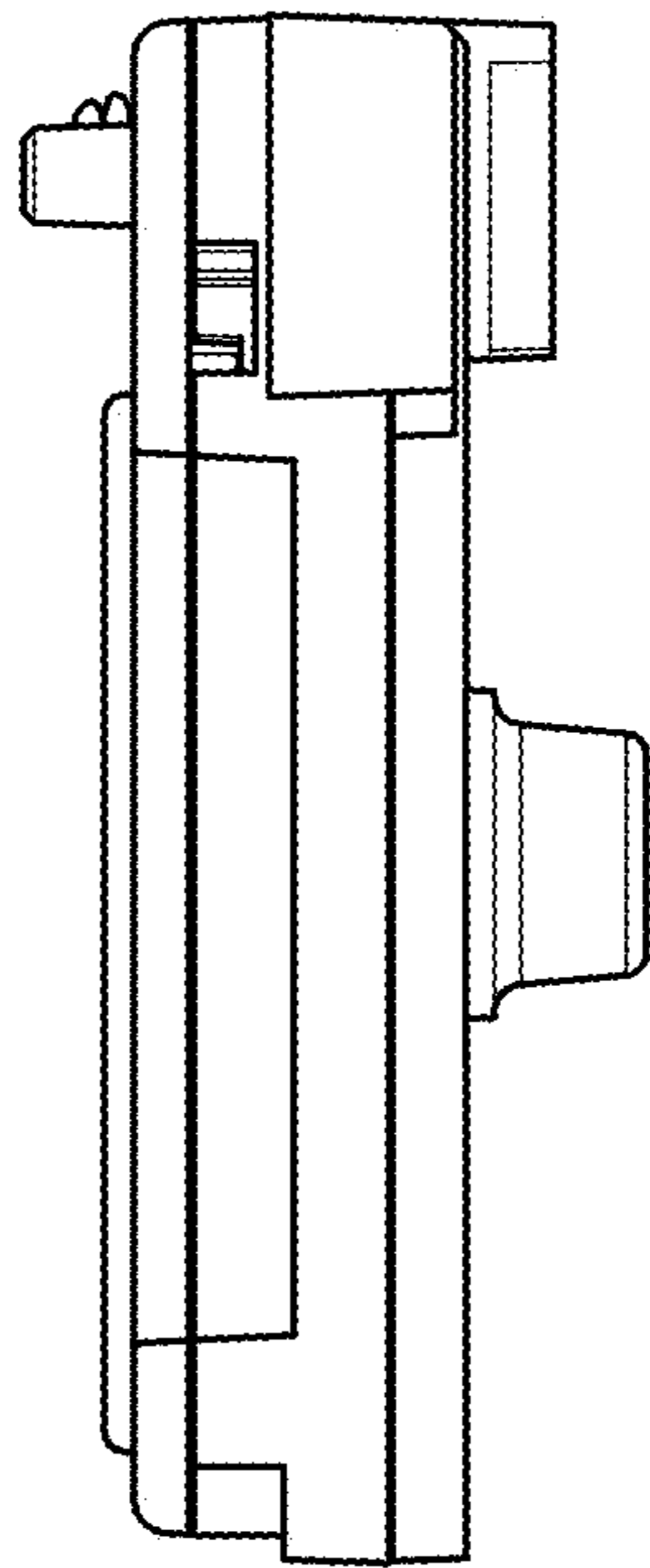
FIG.8



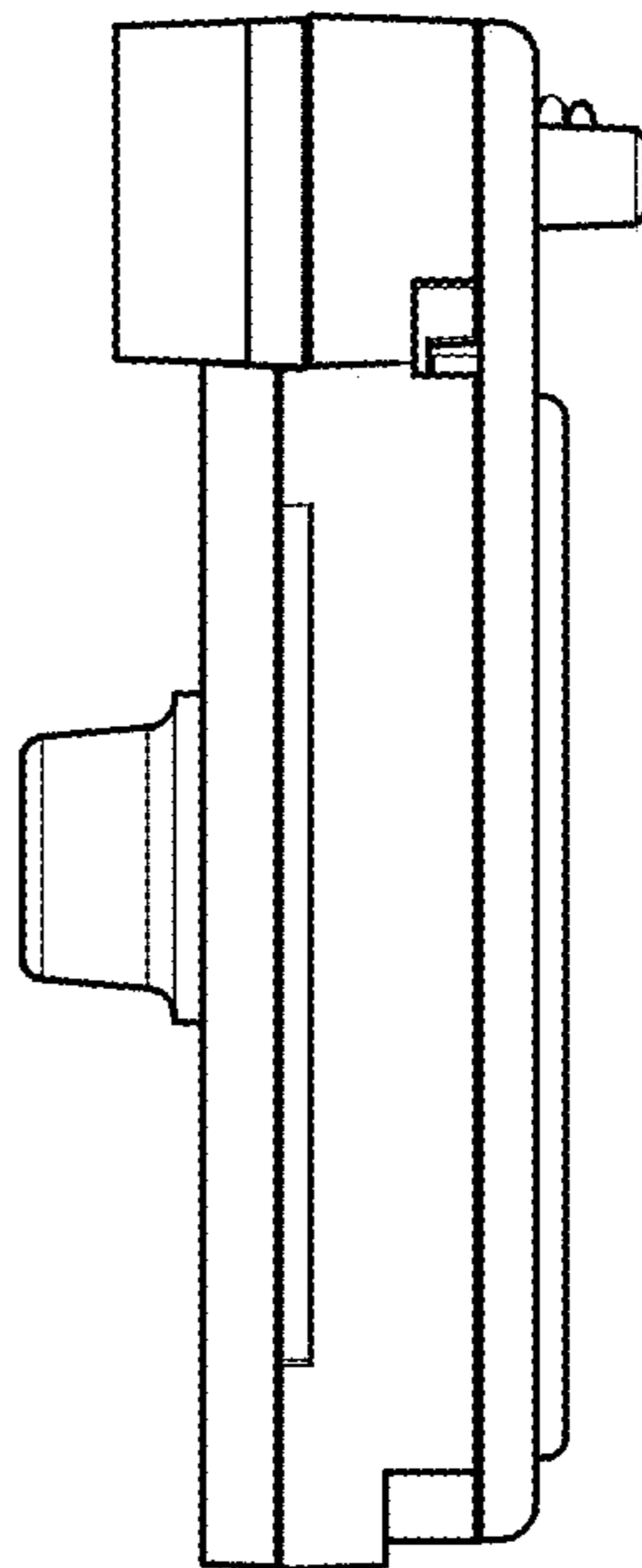
**FIG.9**



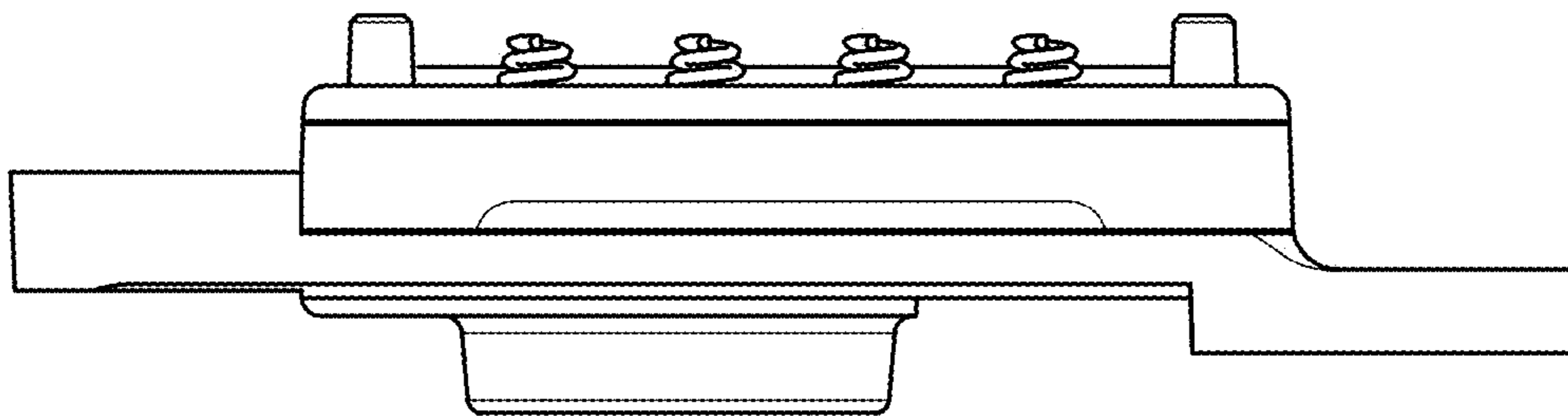
**FIG.10**



**FIG.11**



**FIG.12**



**FIG.13**

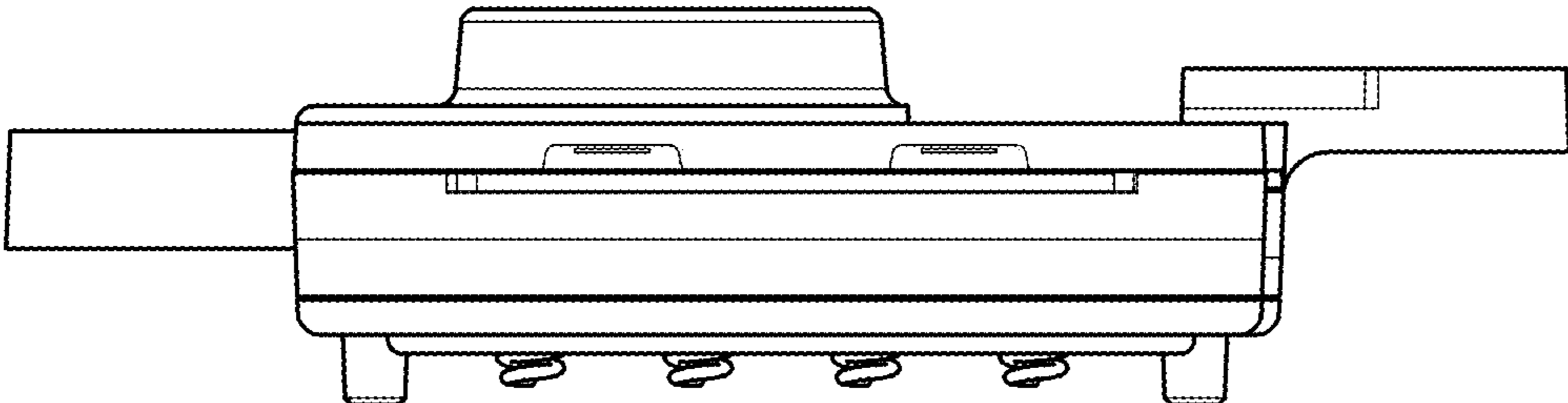


FIG.14