



US00D741332S

(12) **United States Design Patent**
Thompson et al.

(10) **Patent No.:** **US D741,332 S**

(45) **Date of Patent:** **** Oct. 20, 2015**

(54) **DATA READER FOR CHECKOUT STATION**

(71) Applicant: **Datalogic ADC, Inc.**, Eugene, OR (US)

(72) Inventors: **Ryan B. Thompson**, Eugene, OR (US);
Jeffrey J. Hoskinson, Eugene, OR (US);
Michael P. Svetal, Eugene, OR (US);
Brianne E. Howard, Eugene, OR (US);
David J. Newman, Eugene, OR (US)

(73) Assignee: **DATALOGIC ADC, INC.**, Eugene, OR (US)

(**) Term: **14 Years**

(21) Appl. No.: **29/523,578**

(22) Filed: **Apr. 10, 2015**

Related U.S. Application Data

(62) Division of application No. 29/493,882, filed on Jun. 13, 2014, now Pat. No. Des. 728,574, which is a division of application No. 29/424,249, filed on Jun. 8, 2012, now Pat. No. Des. 708,183.

(51) **LOC (10) Cl.** **14-02**

(52) **U.S. Cl.**
USPC **D14/421**; D14/423

(58) **Field of Classification Search**
USPC D14/420-425, 462-470, 389, 125, 399, D14/453; D18/50, 54, 55, 53, 36-39, 14, D18/18-21, 49, 52, 51, 54.4; 358/400, 401, 358/448, 474, 486-488, 496; 382/312, 317, 382/321, 315; 400/613, 613.1-613.4, 400/690.1-690.4, 691-694, 88, 175; 399/107, 379, 380, 211, 212; 235/462.11, 462.41, 472.01, 470, 235/462.43, 454, 383, 440, 462.08, 462.01, 235/438, 462.14, 462.15; 361/680, 681; 340/572.3, 572.1

CPC G06K 7/1439; G06K 7/1096; G06K 7/10821; G06K 7/015; G06K 7/0095; G06K 7/1456; G06K 7/10623; G06K 7/10554; G06K 7/10693; G06K 7/10544; G06K 7/10574; G06K 7/10594; G06K 7/10603;

G06K 7/10643; G06K 7/10633; G06K 7/10702; G06K 7/10712; G06K 7/10732; G06K 7/10722; G06K 7/10792; G06K 7/10801; G06K 7/10811; G06K 7/10831; G06K 7/10841; G06K 7/10861; G06K 7/10871; G06K 7/1098; G06K 7/10881; G06K 9/209; G06K 2207/1011; G07G 1/0045; G07G 1/12; G07G 1/0018; G06Q 90/00; G08B 13/246; G08B 13/2462; G08B 13/2465; G08B 13/248; G08B 13/2485; A47F 9/046
See application file for complete search history.

(56) **References Cited**

U.S. PATENT DOCUMENTS

D186,772 S * 12/1959 Conrad D14/210
D188,326 S * 7/1960 Levy et al. D14/214

(Continued)

OTHER PUBLICATIONS

Shearin et al., U.S. Appl. No. 61/647,937, filed May 16, 2012.

(Continued)

Primary Examiner — Susan Moon Lee

(74) *Attorney, Agent, or Firm* — Stoel Rives LLP

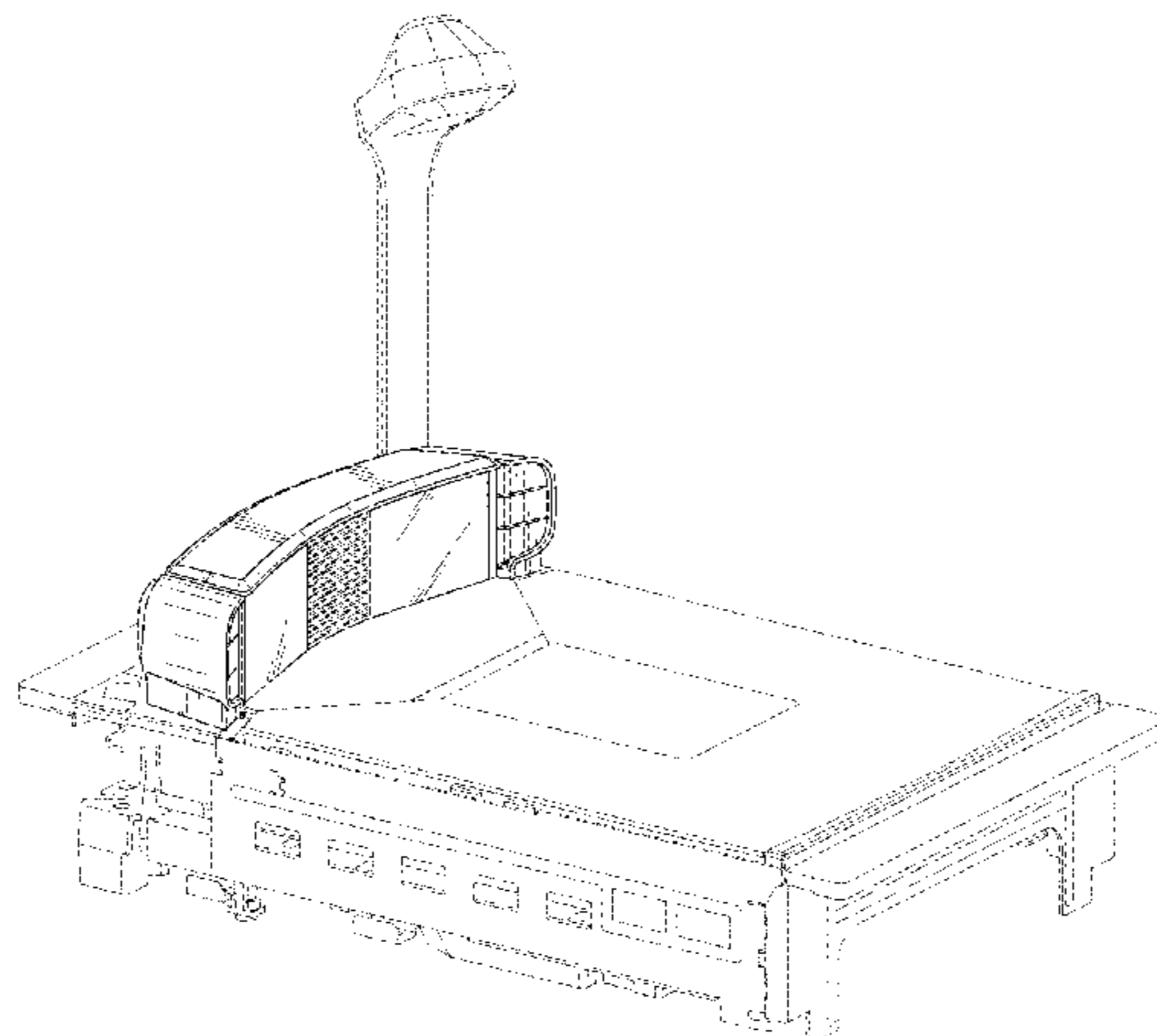
(57) **CLAIM**

We claim the ornamental design for a data reader for checkout station, as shown and described.

DESCRIPTION

FIG. 1 is a front, top, left isometric view of a data reader for checkout station showing the new design;
FIG. 2 is a front, top, left isometric view thereof with the top down reader removed;
FIG. 3 is a right side elevation view thereof;
FIG. 4 is a left side elevation view thereof;
FIG. 5 is a top plan view thereof;
FIG. 6 is a front side elevation view thereof; and,
FIG. 7 is a rear side elevation view thereof.
Broken lines and unshaded portions contained within broken lines are not claimed.

1 Claim, 5 Drawing Sheets



(56)

References Cited

U.S. PATENT DOCUMENTS

- D194,077 S 11/1962 Takats
D197,258 S 12/1963 Highberger
3,143,182 A * 8/1964 Sears et al. 181/153
3,194,339 A * 7/1965 Pawlowski 181/146
D201,929 S 8/1965 Wilton et al.
D211,760 S 7/1968 Blomgren et al.
D216,019 S * 11/1969 Patch et al. D14/214
D223,580 S * 5/1972 Richards D14/215
D229,191 S * 11/1973 Sandler D14/210
D229,318 S * 11/1973 Iida D14/214
D238,182 S * 12/1975 Kizawa D14/210
D244,602 S 6/1977 Mango et al.
4,099,026 A * 7/1978 Persson et al. 381/389
D250,711 S * 1/1979 Persson et al. D14/214
D251,973 S * 5/1979 Klopfer et al. D14/214
D256,014 S * 7/1980 Noga D14/214
D264,581 S 5/1982 Mobius
4,565,430 A 1/1986 Grunwald
4,582,162 A * 4/1986 Katsuno 181/141
4,652,732 A * 3/1987 Nickl 235/462.4
4,656,344 A * 4/1987 Mergenthaler et al. 177/25.15
4,700,656 A * 10/1987 Cone et al. 177/245
4,716,281 A * 12/1987 Amacher et al. 235/383
4,719,980 A * 1/1988 Knothe et al. 177/180
4,721,849 A * 1/1988 Davis et al. 235/472.01
4,759,593 A * 7/1988 Kessler 359/208.1
D302,683 S 8/1989 Iwasaki et al.
4,881,606 A * 11/1989 Halfon et al. 177/126
D306,435 S 3/1990 Krichever et al.
4,909,338 A * 3/1990 Vitunic et al. 177/50
4,933,539 A 6/1990 Stewart et al.
D309,676 S * 8/1990 Alroy D3/219
D315,737 S * 3/1991 Hall D14/214
D320,011 S 9/1991 Fulton et al.
D320,012 S 9/1991 Fulton et al.
D325,027 S 3/1992 Wallace et al.
5,094,316 A * 3/1992 Rosen 181/141
5,105,070 A 4/1992 Wike et al.
5,140,141 A 8/1992 Inagaki et al.
5,153,417 A 10/1992 Sakai et al.
D331,196 S * 11/1992 Tseng D10/2
D335,130 S * 4/1993 Rozier D14/214
5,227,811 A * 7/1993 Kohsaka 347/257
5,233,454 A * 8/1993 Sakuma et al. 359/196.1
5,266,788 A 11/1993 Yamazaki et al.
5,268,565 A * 12/1993 Katoh et al. 235/462.31
D342,949 S * 1/1994 Matsuzaka D14/214
5,288,980 A * 2/1994 Patel et al. 235/381
5,291,007 A 3/1994 Sakai
5,301,060 A * 4/1994 Niikawa et al. 359/218.1
D349,715 S 8/1994 Darland
D351,149 S 10/1994 Bontly et al.
D351,150 S 10/1994 Bontly et al.
5,392,150 A * 2/1995 Inagaki et al. 359/221.1
D369,356 S * 4/1996 Olson D14/214
5,521,763 A * 5/1996 Ono et al. 359/819
D371,365 S * 7/1996 Kawada D14/214
D372,918 S * 8/1996 Manganese et al. D14/214
D374,443 S * 10/1996 Ferrario D14/214
D375,735 S * 11/1996 Tochishita D14/144
D376,363 S * 12/1996 Oberbillig D14/214
D381,989 S * 8/1997 Chang D14/214
D384,651 S 10/1997 Sandor et al.
5,699,180 A * 12/1997 Urakawa et al. 359/208.1
D396,871 S 8/1998 McNulty
D398,007 S * 9/1998 Wilson et al. D14/214
5,801,869 A * 9/1998 Yoshikawa et al. 359/208.1
D402,289 S * 12/1998 Pinchuk et al. D14/167
D411,833 S 7/1999 Iwakawa et al.
D413,890 S * 9/1999 Eberbach D14/216
D415,764 S * 10/1999 Azima et al. D14/214
6,065,676 A 5/2000 Ring et al.
D428,612 S * 7/2000 Scorrano D14/194
D432,115 S * 10/2000 Juszkievicz et al. D14/204
6,216,950 B1 4/2001 Ohkawa et al.
D443,602 S * 6/2001 Scorrano D14/194
6,286,758 B1 * 9/2001 Dejaeger et al. 235/383
D449,590 S * 10/2001 Lewis D14/188
D450,681 S * 11/2001 Cunningham et al. D14/214
D454,351 S 3/2002 Adachi et al.
D454,570 S 3/2002 Adachi et al.
6,369,709 B1 4/2002 Larson et al.
6,376,855 B1 * 4/2002 Nunnink et al. 250/566
D461,792 S * 8/2002 Silverstein et al. D14/214
D462,065 S * 8/2002 Silverstein et al. D14/214
6,502,749 B1 * 1/2003 Snyder 235/383
D473,209 S * 4/2003 Sollard D14/188
D473,210 S * 4/2003 Sollard D14/188
D484,484 S * 12/2003 Green D14/204
D485,824 S * 1/2004 Olson et al. D14/204
D486,473 S * 2/2004 Allen D14/215
D497,154 S * 10/2004 Lin et al. D14/204
D498,742 S * 11/2004 Green D14/188
6,811,086 B1 11/2004 Kumagai et al.
6,834,596 B2 * 12/2004 Kerber 108/42
D501,194 S * 1/2005 Kaestner et al. D14/171
6,843,416 B2 * 1/2005 Swartz et al. 235/454
D502,462 S * 3/2005 Silverstein D14/188
D508,041 S * 8/2005 Carbone et al. D14/214
D509,507 S 9/2005 Myles et al.
D512,988 S * 12/2005 Green D14/214
6,982,388 B2 1/2006 Kasinoff
D523,418 S * 6/2006 Kubota D14/214
D526,992 S * 8/2006 Sakai D14/168
D530,319 S * 10/2006 Sarasjoki et al. D14/253
D540,784 S * 4/2007 Yoon D14/215
D542,270 S * 5/2007 Jenkins et al. D14/214
D542,795 S 5/2007 Sukenari et al.
D552,074 S * 10/2007 Aquillano et al. D14/168
D552,079 S * 10/2007 Hakoda D14/214
D553,119 S * 10/2007 Chau D14/171
D557,262 S * 12/2007 Sakai D14/257
D560,205 S * 1/2008 Bhavnani et al. D14/171
RE40,071 E * 2/2008 Svetal et al. 235/462.43
D563,388 S * 3/2008 Aquillano D14/214
D572,704 S * 7/2008 Chang D14/214
7,416,118 B2 8/2008 Throckmorton et al.
D576,605 S * 9/2008 Milks et al. D14/214
D576,606 S * 9/2008 Sanguinetti D14/214
D578,109 S * 10/2008 Han D14/215
D578,506 S * 10/2008 Nakamura D14/194
D587,245 S * 2/2009 Morra D14/215
D590,370 S * 4/2009 Yuzawa et al. D14/168
7,533,819 B2 5/2009 Barkan
D608,761 S * 1/2010 Kim D14/188
D621,384 S * 8/2010 Kao D14/214
D625,708 S * 10/2010 Files D14/214
D627,760 S * 11/2010 Garrett D14/209.1
7,845,563 B2 12/2010 Kotlarsky et al.
D631,478 S * 1/2011 McQueen et al. D14/421
D633,077 S * 2/2011 Miller D14/168
7,900,839 B2 3/2011 Kotlarsky et al.
D636,378 S * 4/2011 Ohashi et al. D14/209.1
D637,580 S * 5/2011 Aranda et al. D14/214
D637,994 S * 5/2011 Chae et al. D14/188
D638,405 S * 5/2011 Salzedo D14/215
D642,178 S * 7/2011 McQueen D14/421
7,992,786 B2 * 8/2011 Kabeya et al. 235/462.43
8,079,526 B2 12/2011 Barkan et al.
D654,474 S * 2/2012 Hawkins et al. D14/214
D657,342 S * 4/2012 Cao et al. D14/171
D663,719 S * 7/2012 Warden et al. D14/214
D667,812 S * 9/2012 Sutton et al. D14/204
D670,264 S * 11/2012 Tsai D14/172
D672,748 S * 12/2012 Burlingame et al. D14/214
D676,446 S * 2/2013 McQueen et al. D14/421
8,365,998 B1 * 2/2013 Gregerson et al. 235/440
D681,008 S * 4/2013 Fathollahi D14/214
D683,718 S * 6/2013 Brunner et al. D14/209.1
D684,947 S * 6/2013 Motoishi et al. D14/194
D684,948 S * 6/2013 Burlingame et al. D14/204
8,453,933 B1 * 6/2013 Pang 235/462.32
D686,193 S * 7/2013 Giffin et al. D14/214
D691,116 S * 10/2013 Ponce D14/215

(56)

References Cited

U.S. PATENT DOCUMENTS

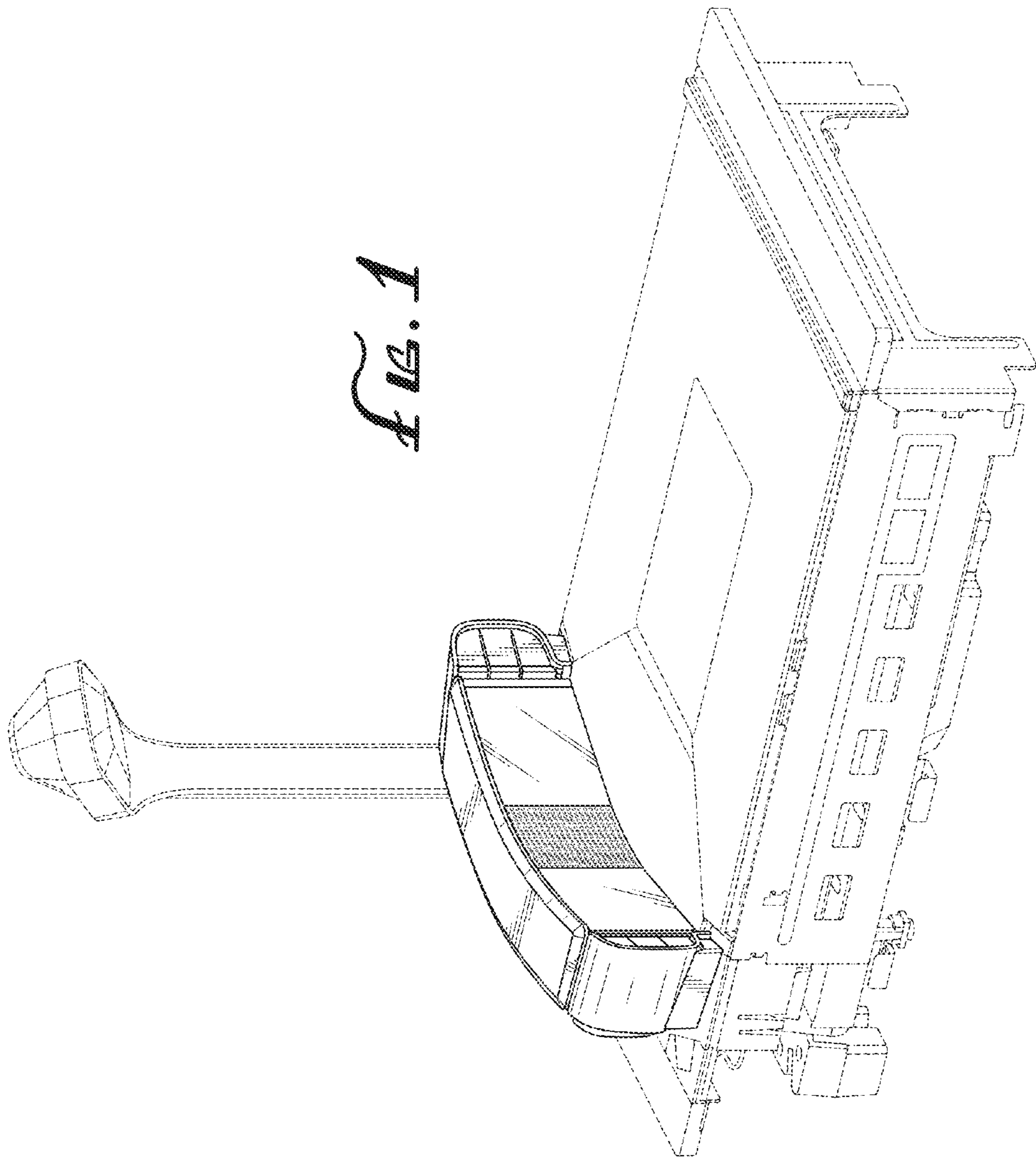
D694,653 S * 12/2013 Hsu D10/15
 D699,708 S * 2/2014 Files D14/214
 D699,709 S * 2/2014 Files D14/214
 D703,182 S * 4/2014 McManigal et al. D14/198
 D708,183 S 7/2014 Thompson et al.
 D708,655 S 7/2014 Wong et al.
 8,794,525 B2 * 8/2014 Amundsen et al. 235/462.14
 D715,764 S * 10/2014 Kim et al. D14/209.1
 D716,260 S * 10/2014 Park et al. D14/210
 8,960,548 B2 2/2015 Thompson et al.
 D726,150 S * 4/2015 Shih D14/214
 9,004,359 B2 4/2015 Shearin et al.
 D728,516 S * 5/2015 Cho D14/214
 D728,574 S 5/2015 Thompson et al.
 D729,768 S * 5/2015 Park et al. D14/214
 D730,869 S * 6/2015 Lee et al. D14/214
 2003/0205620 A1 * 11/2003 Byun et al. 235/462.14
 2005/0105745 A1 * 5/2005 Bowen et al. 381/89
 2006/0208894 A1 * 9/2006 Friend et al. 340/572.3
 2007/0119946 A1 * 5/2007 Ishii et al. 235/462.32
 2007/0290043 A1 * 12/2007 Russell et al. 235/462.14
 2008/0061139 A1 * 3/2008 Roquemore 235/383
 2009/0095047 A1 * 4/2009 Patel et al. 73/1.01
 2010/0258632 A1 * 10/2010 Good 235/472.01

2010/0282850 A1 * 11/2010 Olmstead et al. 235/440
 2011/0168780 A1 * 7/2011 McQueen et al. 235/470
 2011/0174881 A1 7/2011 Samek et al.
 2012/0261475 A1 * 10/2012 Bray 235/462.32
 2012/0273572 A1 * 11/2012 Drzymala et al. 235/454
 2013/0015242 A1 * 1/2013 White 235/383
 2013/0026233 A1 * 1/2013 Chen et al. 235/440
 2013/0087617 A1 * 4/2013 Drzymala et al. 235/454
 2013/0175341 A1 * 7/2013 Kearney et al. 235/440
 2013/0306727 A1 11/2013 Shearin et al.
 2013/0306735 A1 11/2013 Vinogradov et al.
 2013/0327829 A1 * 12/2013 Thompson et al. 235/440
 2013/0327830 A1 * 12/2013 Thompson et al. 235/440
 2013/0327831 A1 * 12/2013 Howard 235/440
 2013/0327835 A1 12/2013 Thompson et al.
 2013/0328682 A1 12/2013 Shearin et al.
 2014/0027513 A1 * 1/2014 Detwiler 235/440
 2015/0069123 A1 * 3/2015 Thompson et al. 235/438

OTHER PUBLICATIONS

Thompson et al., U.S. Appl. No. 61/657,634, filed Jun. 8, 2012.
 Thompson et al., U.S. Appl. No. 61/657,705, filed Jun. 8, 2012.
 Shearin et al., U.S. Appl. No. 61/657,732, filed Jun. 8, 2012.
 Thompson et al., U.S. Appl. No. 61/657,690, filed Jun. 8, 2012.

* cited by examiner



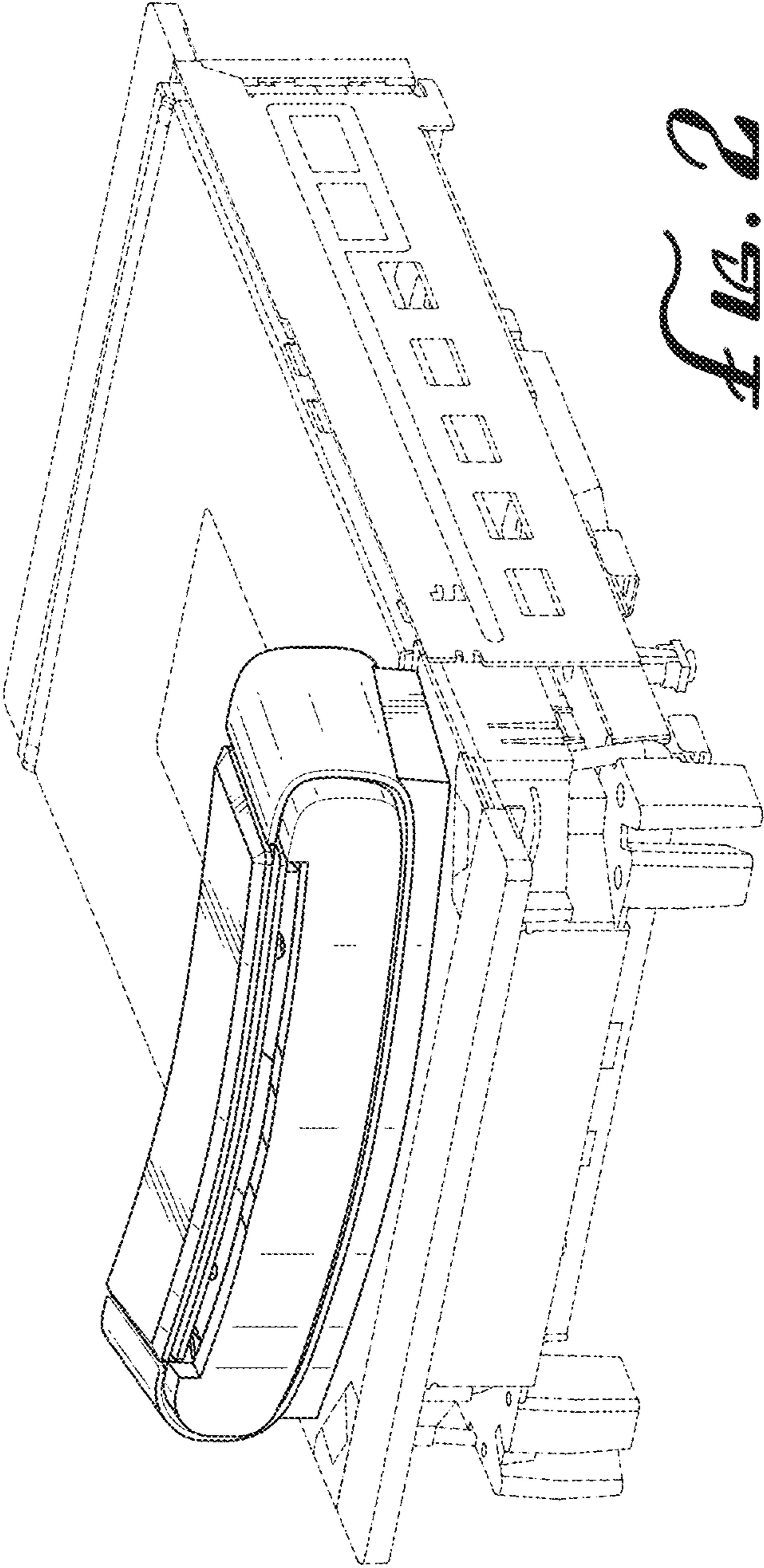


FIG. 2

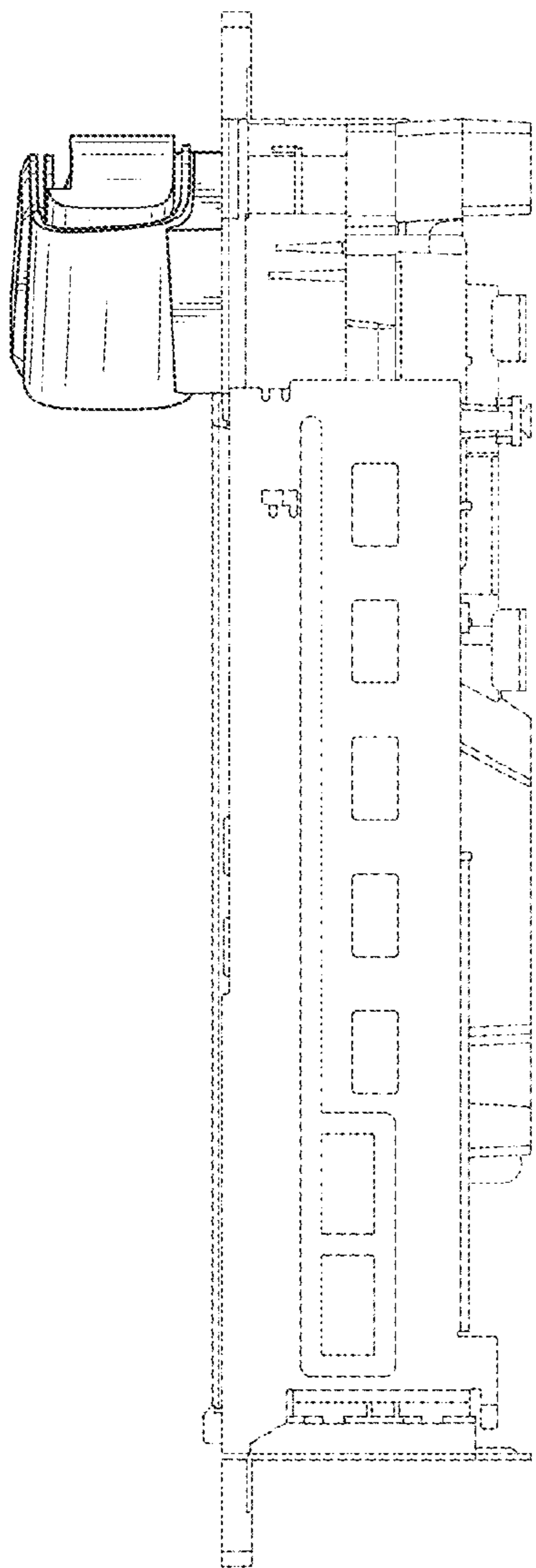


Fig. 3

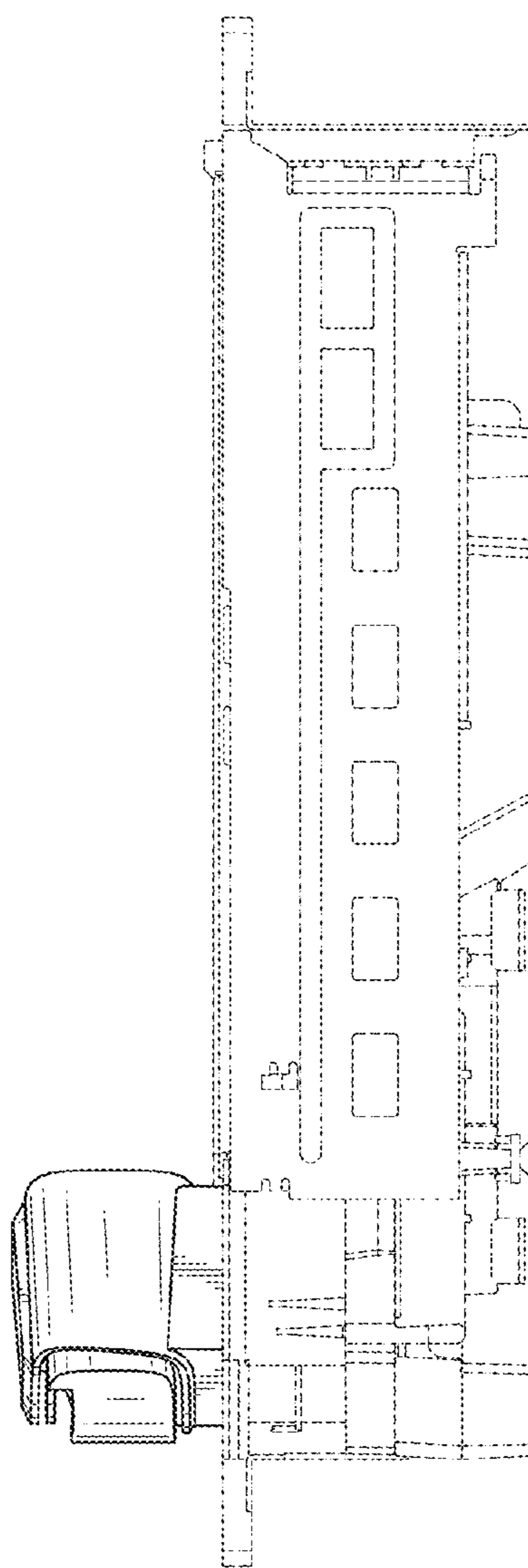


Fig. 4

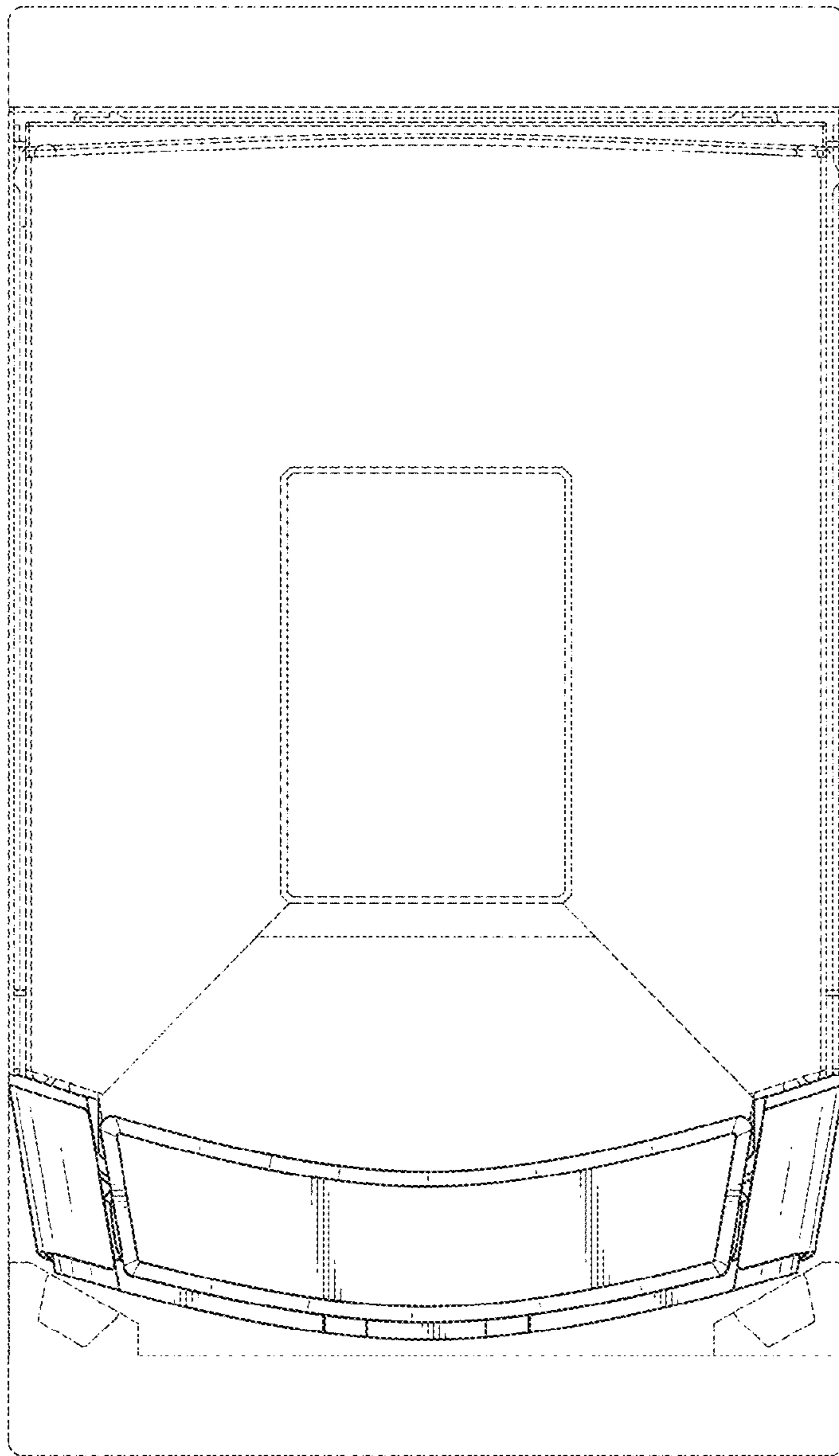


FIG. 5

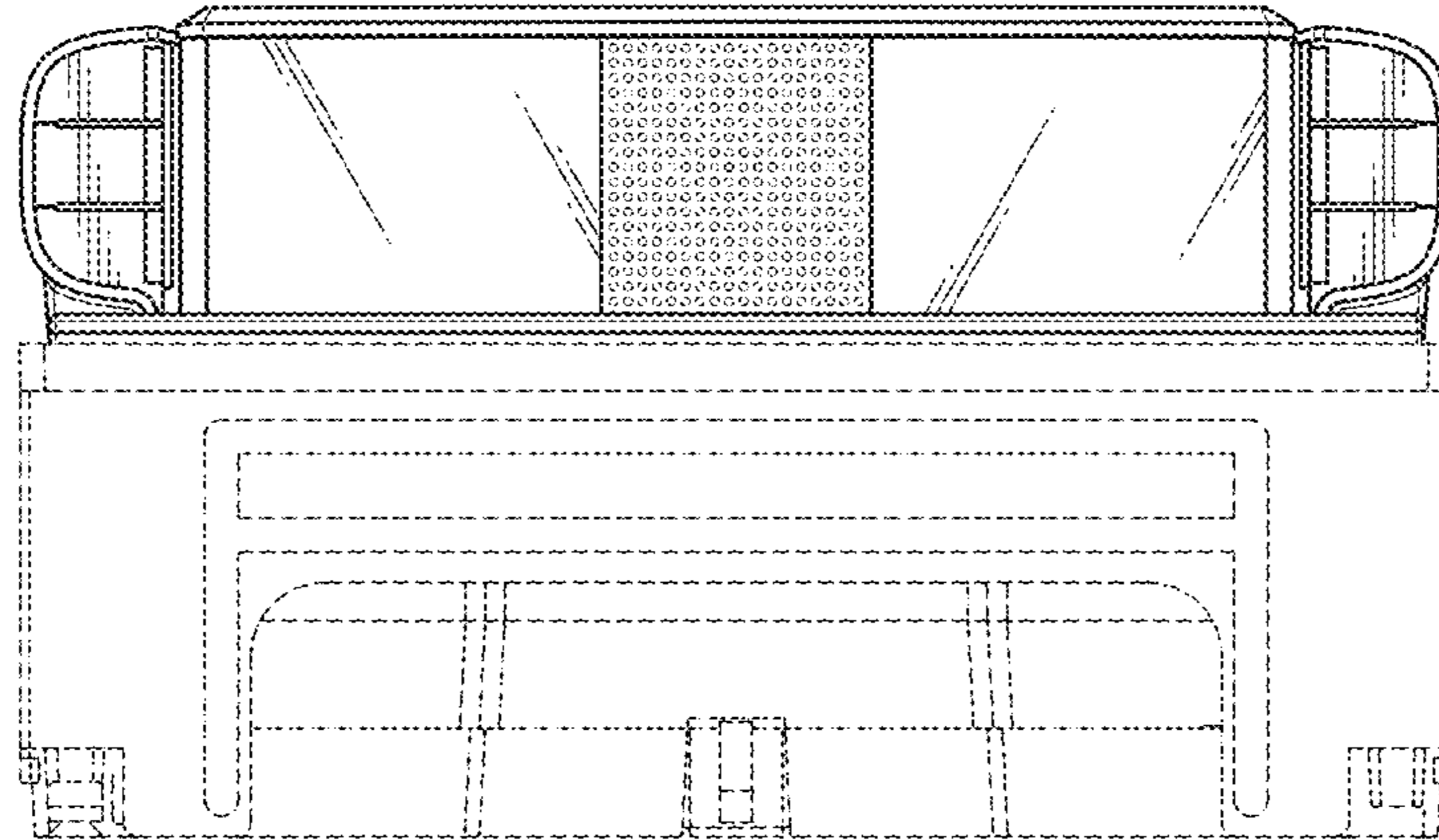


FIG. 6

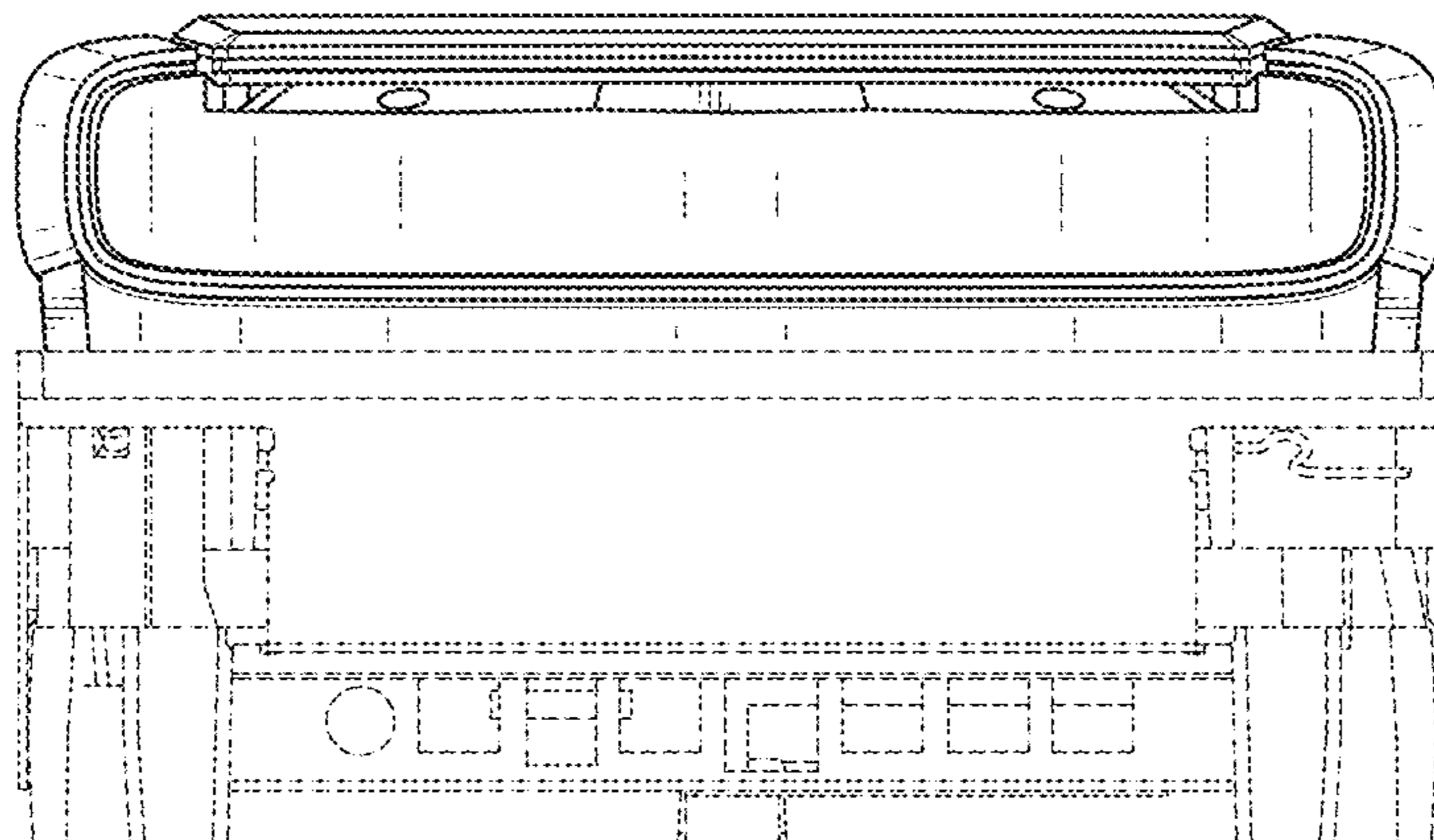


FIG. 7

UNITED STATES PATENT AND TRADEMARK OFFICE
CERTIFICATE OF CORRECTION

PATENT NO. : D741,332 S
APPLICATION NO. : 29/523578
DATED : October 20, 2015
INVENTOR(S) : Ryan B. Thompson et al.

Page 1 of 1

It is certified that error appears in the above-identified patent and that said Letters Patent is hereby corrected as shown below:

On The Title Page, Item (62)

Related Application Data

Line 4, after "Des. 708,183" insert --, hereby incorporated by reference. Any material in the
aforementioned related applications which is not present herein forms no part of the claimed design--.

Signed and Sealed this
Twenty-second Day of March, 2016



Michelle K. Lee
Director of the United States Patent and Trademark Office