



US00D741331S

(12) **United States Design Patent**
Ishibashi et al.

(10) **Patent No.:** **US D741,331 S**
(45) **Date of Patent:** **** Oct. 20, 2015**

(54) **SCANNER**

(71) Applicant: **Canon Denshi Kabushiki Kaisha**,
Chichibu-shi, Saitama-ken (JP)

(72) Inventors: **Masaaki Ishibashi**, Hino (JP); **Misato Nakayama**, Tokyo (JP); **Hiroshi Komuro**, Wako (JP); **Minoru Sashida**, Ageo (JP)

(73) Assignee: **CANON DENSHI KABUSHIKI KAISHA**, Chichibu-Shi, Saitama-Ken (JP)

1/00551; H04N 1/00278; H04N 2201/0456;
H04N 2201/0446; H04N 2201/00; H04N
2201/0094; G03G 15/0142; G03G 15/605;
G03G 15/602; B65H 5/26; B65H 5/30;
B65H 5/36; B65H 7/00; B65H 2402/515;
B65H 2402/31; B65H 2511/20; B65H
2511/414; B65H 2513/42; B65H 2801/39;
B65H 2801/31; B65H 2215/00189; B65H
2215/00194; B65H 2215/00198; B65H
2215/00202; B65H 2215/00206; B65H
2215/20; B65H 2301/00; B65H 2220/04;
B65H 3/5261

See application file for complete search history.

(**) Term: **14 Years**

(21) Appl. No.: **29/513,015**

(22) Filed: **Dec. 24, 2014**

(30) **Foreign Application Priority Data**

Jun. 27, 2014 (JP) 2014-014099

(51) **LOC (10) Cl.** **14-02**

(52) **U.S. Cl.**
USPC **D14/421**

(58) **Field of Classification Search**

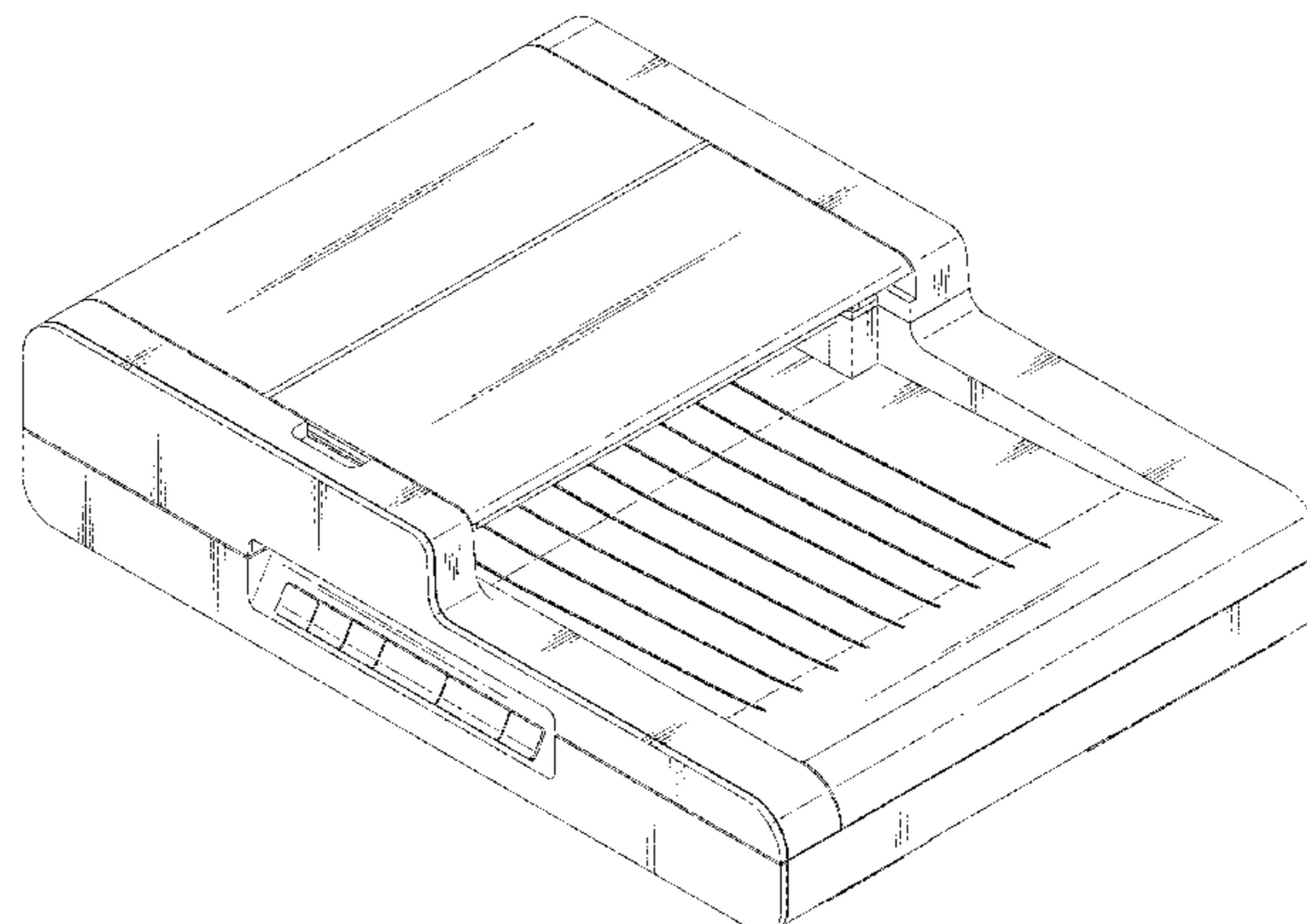
USPC D14/421-425; D18/55, 49, 46, 40,
D18/36-39, 41, 44, 45, 47, 48, 50-54, 56;
235/462, 455, 470, 462.43, 482, 483;
358/474, 486, 488, 496, 497, 498, 452,
358/449, 451, 453, 1.13; 318/685, 696;
355/81, 75; 399/405, 367, 379, 380;
382/217; 715/209, 222, 226, 274;
400/613, 613.1-613.4, 690.1-690.4,
400/691-694

CPC H04N 1/00; H04N 1/12; H04N 1/00013;
H04N 1/00015; H04N 1/00018; H04N
1/00026; H04N 1/00557; H04N 1/00564;
H04N 1/00567; H04N 1/0057; H04N 1/00572;
H04N 1/00586; H04N 1/00588; H04N
1/00591; H04N 1/00594; H04N 1/00596;
H04N 1/00604; H04N 1/00519; H04N
1/00559; H04N 1/1013; H04N 1/10; H04N

(56) **References Cited**

U.S. PATENT DOCUMENTS

D194,815	S	*	3/1963	Graves	D18/36
3,155,031	A	*	11/1964	Ingves et al.	101/19
D227,034	S	*	5/1973	Derby et al.	D18/49
D234,005	S	*	12/1974	Yagi et al.	D18/49
D263,962	S	*	4/1982	Kurozumi	D18/49
D265,655	S	*	8/1982	Goto	D18/38
D272,830	S	*	2/1984	Hara et al.	D18/49
D276,238	S	*	11/1984	Kosako et al.	D18/49
D278,347	S	*	4/1985	Kawazu	D18/49
D279,783	S	*	7/1985	Jordan et al.	D18/55
D280,906	S	*	10/1985	Imada	D18/37
D282,667	S	*	2/1986	Hara et al.	D18/49
D283,625	S	*	4/1986	Goto	D18/49
4,674,735	A	*	6/1987	DuBois et al.	271/10.13
D295,185	S	*	4/1988	Tokuda	D18/49
D298,948	S	*	12/1988	Ishii et al.	D18/49
D299,833	S	*	2/1989	Hirata	D18/49
D303,547	S	*	9/1989	Katada	D18/49
D310,238	S	*	8/1990	Hirata	D18/49
D310,239	S	*	8/1990	Hirata	D18/49
4,955,595	A	*	9/1990	Kawano et al.	271/9.09
D311,755	S	*	10/1990	Aoyama et al.	D18/49
D311,909	S	*	11/1990	Chen	D14/420
D314,789	S	*	2/1991	Hirata et al.	D18/49
D316,268	S	*	4/1991	Miyajima et al.	D18/49
D319,072	S	*	8/1991	Tanizawa et al.	D18/49
D322,626	S	*	12/1991	Imai	D18/49
D324,536	S	*	3/1992	Isomoto et al.	D18/49
D326,867	S	*	6/1992	Kwak	D18/55
D328,758	S	*	8/1992	Isomoto	D18/49
D329,869	S	*	9/1992	Suzuki	D18/49
D337,605	S	*	7/1993	Tashiro et al.	D18/49



US D741,331 S

D337,606 S *	7/1993	Khovaylo	D18/49	D578,568 S *	10/2008	Chiba et al.	D18/50
D344,095 S *	2/1994	Isomoto et al.	D18/49	D579,490 S *	10/2008	Laidlaw et al.	D18/55
D350,765 S *	9/1994	Hiroki et al.	D18/36	D579,973 S *	11/2008	Park et al.	D18/55
D350,769 S *	9/1994	Hattori et al.	D18/49	D580,483 S *	11/2008	Park et al.	D18/39
D354,078 S *	1/1995	Hiroki	D18/49	D581,976 S *	12/2008	Park et al.	D18/55
D354,307 S *	1/1995	Yamamoto	D18/49	D584,344 S *	1/2009	Lee et al.	D18/43
D367,495 S *	2/1996	Chen et al.	D18/49	D584,766 S *	1/2009	Tani	D18/55
D374,457 S *	10/1996	Naruki	D18/49	D586,384 S *	2/2009	Yamaguchi et al.	D18/55
D380,204 S *	6/1997	Kogoh et al.	D14/425	D586,385 S *	2/2009	Kim et al.	D18/55
D384,693 S *	10/1997	Kenmochi et al.	D18/49	D589,084 S *	3/2009	Suzuki et al.	D18/36
D403,696 S *	1/1999	Kobayashi et al.	D18/40	D591,302 S *	4/2009	Yagi et al.	D14/421
D403,698 S *	1/1999	Kobayashi et al.	D18/49	D594,508 S *	6/2009	Joe et al.	D18/55
D404,421 S *	1/1999	Takeuchi	D18/49	D595,347 S *	6/2009	Tjin Wong Joe et al.	D18/55
D405,110 S *	2/1999	Yamamoto et al.	D18/54	D596,226 S *	7/2009	Yamaguchi	D18/55
D413,585 S *	9/1999	Sakuta et al.	D14/107	D596,227 S *	7/2009	Larson et al.	D18/55
D421,043 S *	2/2000	Shibata et al.	D18/39	D600,277 S *	9/2009	Hisatsune	D18/55
D421,622 S *	3/2000	Khovaylo et al.	D18/49	D605,222 S *	12/2009	Yoshioka et al.	D18/55
D430,595 S *	9/2000	Khovaylo et al.	D18/49	D606,115 S *	12/2009	Sato	D18/55
D435,859 S *	1/2001	Khovaylo et al.	D18/49	D607,505 S *	1/2010	Sasaki et al.	D18/55
D436,122 S *	1/2001	Isomoto	D18/49	D608,823 S *	1/2010	Tomono	D18/55
D436,369 S *	1/2001	Sasaki et al.	D18/39	D609,270 S *	2/2010	Kato et al.	D18/55
D437,348 S *	2/2001	Hirose et al.	D18/55	D611,091 S *	3/2010	Ishikawa et al.	D18/55
D437,878 S *	2/2001	Nakada et al.	D18/40	D613,791 S *	4/2010	Yoshioka et al.	D18/55
D449,063 S *	10/2001	Khovaylo et al.	D18/49	D613,792 S *	4/2010	Suzuki et al.	D18/55
D452,510 S *	12/2001	Irvine et al.	D14/467	D614,235 S *	4/2010	Nakata	D18/55
D453,785 S *	2/2002	Grossmann	D18/48	D614,693 S *	4/2010	Kato et al.	D18/50
D465,801 S *	11/2002	Falk et al.	D18/39	D616,927 S *	6/2010	Suzuki et al.	D18/55
D472,266 S *	3/2003	Khovaylo et al.	D18/49	D619,645 S *	7/2010	Sato	D18/49
D478,082 S *	8/2003	Khovaylo et al.	D14/425	D619,646 S *	7/2010	Brown et al.	D18/49
D483,401 S *	12/2003	LaBarbera	D18/53	D620,046 S *	7/2010	Brinkly	D18/49
D483,402 S *	12/2003	LaBarbera et al.	D18/53	D621,443 S *	8/2010	Nishiguchi	D18/53
D493,817 S *	8/2004	Yoshida et al.	D18/39	D622,272 S *	8/2010	Machida et al.	D14/421
D494,211 S *	8/2004	Yoshida et al.	D18/39	D622,762 S *	8/2010	Egami et al.	D18/55
D497,942 S *	11/2004	Yoshida et al.	D18/53	D626,588 S *	11/2010	Kim et al.	D18/39
D497,943 S *	11/2004	LaBarbera	D18/53	D633,555 S *	3/2011	Egami	D18/50
D502,210 S *	2/2005	Katori et al.	D18/39	D633,556 S *	3/2011	Park et al.	D18/55
D515,131 S *	2/2006	Hwang et al.	D18/55	D634,360 S *	3/2011	Brown et al.	D18/55
D516,081 S *	2/2006	Takimoto	D14/463	D639,849 S *	6/2011	Sato et al.	D18/50
D528,154 S *	9/2006	Hattori	D18/54	D639,851 S *	6/2011	Penke et al.	D18/55
D528,155 S *	9/2006	Katayama	D18/55	7,970,337 B2 *	6/2011	Uchida et al.	399/367
D530,737 S *	10/2006	Lim et al.	D18/50	D641,778 S *	7/2011	Lee et al.	D18/55
D531,175 S *	10/2006	Moskaluk et al.	D14/300	D642,212 S *	7/2011	Terenzio et al.	D18/55
D532,043 S *	11/2006	Park et al.	D18/50	D643,464 S *	8/2011	Sato et al.	D18/55
D532,449 S *	11/2006	Tjin Wong Joe et al.	D18/55	D645,896 S *	9/2011	Iwai et al.	D18/50
D532,450 S *	11/2006	Smith et al.	D18/55	D647,133 S *	10/2011	Sato et al.	D18/55
D532,451 S *	11/2006	Ito et al.	D18/55	D647,958 S *	11/2011	Yoshioka et al.	D18/50
D533,218 S *	12/2006	Gant et al.	D18/55	D648,376 S *	11/2011	Asano et al.	D18/50
D534,175 S *	12/2006	Orihashi et al.	D14/463	D649,183 S *	11/2011	Miyauchi et al.	D18/50
D534,578 S *	1/2007	Katayama et al.	D18/55	8,154,770 B2 *	4/2012	Shiraki et al.	358/401
D535,686 S *	1/2007	Ishio	D18/39	D660,350 S *	5/2012	Falk et al.	D18/53
D536,372 S *	2/2007	Lim et al.	D18/53	D660,351 S *	5/2012	Larson et al.	D18/55
D539,283 S *	3/2007	McIntyre	D14/425	D661,345 S *	6/2012	Asano et al.	D18/50
D539,839 S *	4/2007	Brinkly et al.	D18/49	D661,728 S *	6/2012	Suzuki et al.	D18/50
D544,532 S *	6/2007	Matsumoto et al.	D18/50	D662,130 S *	6/2012	Kitazawa et al.	D18/50
D545,357 S *	6/2007	Hattori et al.	D18/55	D662,974 S *	7/2012	Suzuki et al.	D18/55
D550,768 S *	9/2007	Hoshiya et al.	D18/55	D665,013 S *	8/2012	Ishikawa et al.	D18/50
D551,700 S *	9/2007	Park et al.	D18/55	D666,239 S *	8/2012	Larson et al.	D18/55
D555,194 S *	11/2007	Smith et al.	D18/55	D667,035 S *	9/2012	Rapp	D15/145
D555,195 S *	11/2007	Park et al.	D18/55	D667,486 S *	9/2012	Inoue et al.	D18/50
D555,652 S *	11/2007	Kitamura et al.	D14/420	D667,488 S *	9/2012	Inoue et al.	D18/55
D556,256 S *	11/2007	Matsumoto et al.	D18/55	D670,326 S *	11/2012	Yoshida	D18/55
D556,257 S *	11/2007	Yamaguchi	D18/55	D670,328 S *	11/2012	Suzuki et al.	D18/55
D557,737 S *	12/2007	Falk et al.	D18/53	D673,213 S *	12/2012	Kim et al.	D18/55
D557,738 S *	12/2007	Falk	D18/53	D673,603 S *	1/2013	Suzuki et al.	D18/55
D558,823 S *	1/2008	Alfonso et al.	D18/55	D674,011 S *	1/2013	Sato	D18/55
D558,824 S *	1/2008	Alfonso et al.	D18/55	D674,435 S *	1/2013	Inoue et al.	D18/55
D559,897 S *	1/2008	Suzuki et al.	D18/49	D675,673 S *	2/2013	Sato	D18/50
D559,898 S *	1/2008	Suzuki et al.	D18/49	D676,483 S *	2/2013	Kim et al.	D18/50
D561,248 S *	2/2008	Lee et al.	D18/50	D680,163 S *	4/2013	Lim et al.	D18/55
D561,250 S *	2/2008	Smith et al.	D18/55	D680,581 S *	4/2013	Nakata et al.	D18/50
D561,251 S *	2/2008	Tjin Wong Joe et al.	D18/55	D681,721 S *	5/2013	Iwai et al.	D18/50
D561,824 S *	2/2008	Park et al.	D18/55	D681,722 S *	5/2013	Seki et al.	D18/50
D564,018 S *	3/2008	Ishii et al.	D18/49	D681,723 S *	5/2013	Gilbert et al.	D18/55
7,338,043 B2 *	3/2008	Sorenson et al.	271/162	D681,726 S *	5/2013	Yonekawa	D18/55
D573,633 S *	7/2008	Laidlaw et al.	D18/55	D682,928 S *	5/2013	Kim et al.	D18/55
D574,886 S *	8/2008	Mase et al.	D18/55	D683,394 S *	5/2013	Suzuki et al.	D18/50
D575,330 S *	8/2008	Egami et al.	D18/55	D685,411 S *	7/2013	Tanaka et al.	D18/49
D576,201 S *	9/2008	Yamagata et al.	D18/49	D685,412 S *	7/2013	Jihoon et al.	D18/50
D576,203 S *	9/2008	Laidlaw et al.	D18/55	D685,414 S *	7/2013	Jeong et al.	D18/53

D686,658	S	*	7/2013	Matsuno et al.	D18/50
D686,659	S	*	7/2013	Tanaka et al.	D18/55
D687,092	S	*	7/2013	Suzuki et al.	D18/49
D687,093	S	*	7/2013	Klocke et al.	D18/50
D688,742	S	*	8/2013	Kim et al.	D18/55
D689,542	S	*	9/2013	Klocke et al.	D18/50
D689,543	S	*	9/2013	Seki et al.	D18/50
D689,865	S		9/2013	Kitamura et al.	D14/422
D689,866	S		9/2013	Anzai et al.	D14/422
D689,867	S		9/2013	Yamaguchi et al.	D14/422
8,542,415	B2	*	9/2013	Takeuchi et al.	358/498
8,542,416	B2	*	9/2013	Takeuchi	358/498
D691,570	S	*	10/2013	Fleischer et al.	1/1
D692,477	S	*	10/2013	Kim et al.	D18/53
D694,316	S	*	11/2013	Jihoon et al.	D18/50
D695,339	S	*	12/2013	Fukasawa et al.	D18/55
D697,550	S	*	1/2014	Nanno et al.	D18/50
D697,966	S	*	1/2014	Fukasawa et al.	D18/55
D697,967	S	*	1/2014	Fukasawa et al.	D18/55
D698,389	S	*	1/2014	Fukasawa et al.	D18/55
D699,725	S	*	2/2014	Sato et al.	D14/421
D701,561	S	*	3/2014	Jihoon et al.	D18/50
D702,760	S	*	4/2014	Kim et al.	D18/55
D705,781	S	*	5/2014	Yin et al.	D14/421
D714,861	S	*	10/2014	Tsuruoka et al.	D18/50
D718,313	S	*	11/2014	Goh et al.	D14/421
D718,383	S	*	11/2014	Lo et al.	D18/55
D720,754	S	*	1/2015	Chin et al.	D14/422
D721,131	S	*	1/2015	Inada	D18/50
2002/0113979	A1	*	8/2002	Rahgozar et al.	358/1.6
2003/0063332	A1	*	4/2003	Sato	358/474
2003/0164957	A1	*	9/2003	Komaki	358/1.6
2003/0179390	A1	*	9/2003	Kitozaki	358/1.6
2004/0217537	A1	*	11/2004	Ohama	271/3.14
2006/0023267	A1	*	2/2006	Ikeno et al.	358/474
2007/0001015	A1	*	1/2007	Suzuki et al.	235/472.02
2007/0201109	A1	*	8/2007	Osakabe et al.	358/474
2007/0287566	A1	*	12/2007	Osakabe	475/162
2009/0315253	A1	*	12/2009	Osakabe et al.	271/121
2010/0020370	A1	*	1/2010	Ishikawa	358/498
2011/0157662	A1	*	6/2011	Kozaki	358/488
2012/0038955	A1	*	2/2012	Ooshio	358/474
2012/0081761	A1	*	4/2012	Nakamura et al.	358/474
2013/0114116	A1	*	5/2013	Ikeno et al.	358/474
2014/0151959	A1	*	6/2014	Oyamada et al.	271/264

* cited by examiner

Primary Examiner — Susan Moon Lee

(74) Attorney, Agent, or Firm — Fitzpatrick, Cella, Harper & Scinto

(57)

CLAIM

The ornamental design for a scanner, as shown and described.

DESCRIPTION

FIG. 1 is a perspective view of an embodiment of a scanner; FIG. 2 is a front view of the embodiment of FIG. 1; FIG. 3 is a rear view of the embodiment of FIG. 1; FIG. 4 is a left side view of the embodiment of FIG. 1; FIG. 5 is a right side view of the embodiment of FIG. 1; FIG. 6 is a top plan view of the embodiment of FIG. 1; FIG. 7 is a bottom plan view of the embodiment of FIG. 1; FIG. 8 is a perspective view of the embodiment of FIG. 1, wherein the feeding tray is in an opened state; and, FIG. 9 is a perspective view of the embodiment of FIG. 1, wherein the auto document feeder unit is in an open state. The article of the present application (herein “the article”) is a flatbed scanner comprising an ADF (Auto Document Feeder) unit. The ADF unit has a feeding tray provided thereon openably/closably. When the article scans an original using the ADF unit, the feeding tray is opened as shown in FIG. 8 and the original is set on the feeding tray. The set original is fed into the ADF unit from the feeding tray to be scanned, and the scanned original is ejected onto a catching tray. When the article is used as a flatbed scanner to scan an original, the ADF unit is opened such as to expose an original placing table provided on a flatbed unit as shown in FIG. 9, the original is set on the exposed original placing table, and the set original is scanned after the ADF unit is closed.

1 Claim, 7 Drawing Sheets

Fig. 1

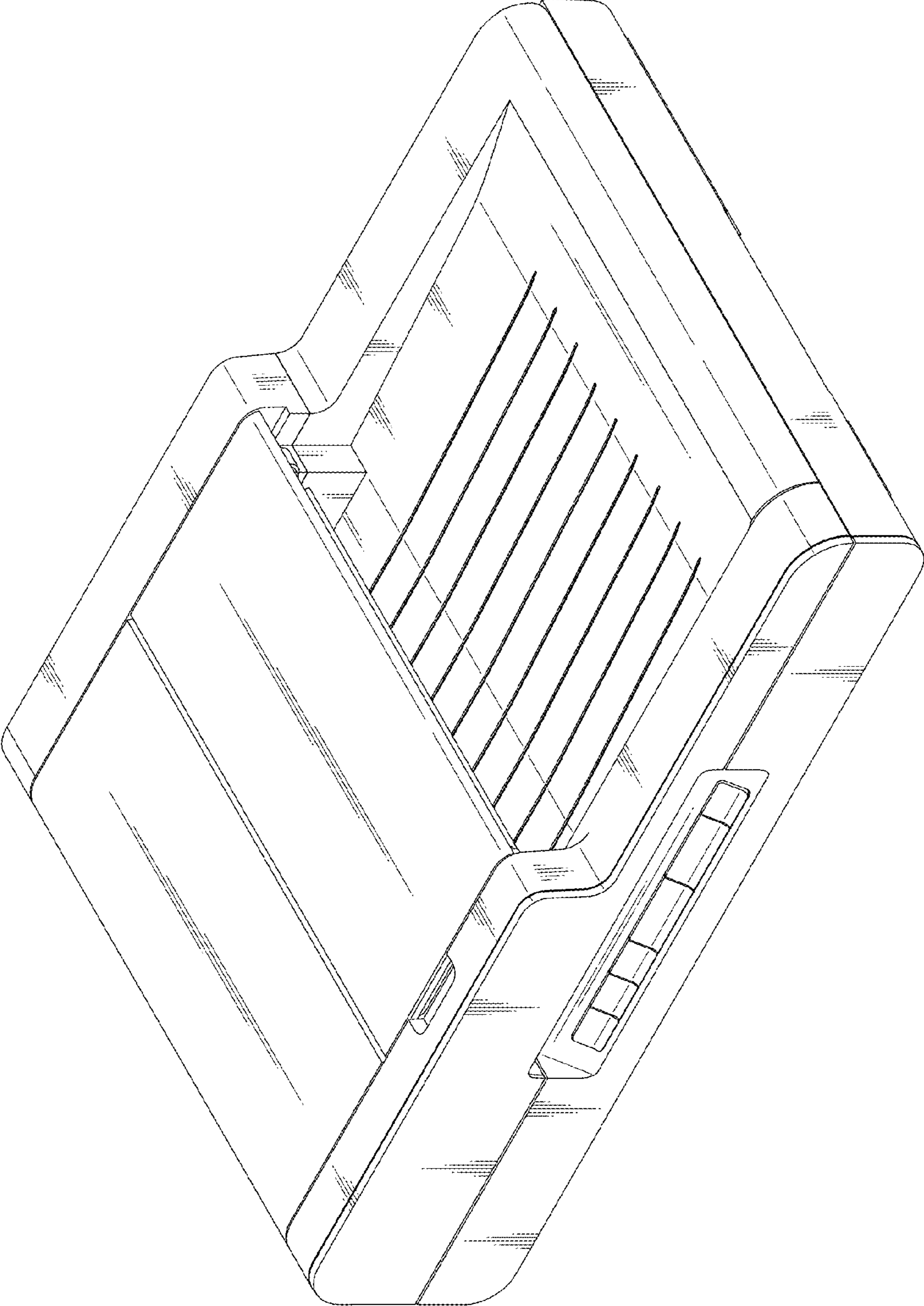


Fig. 2

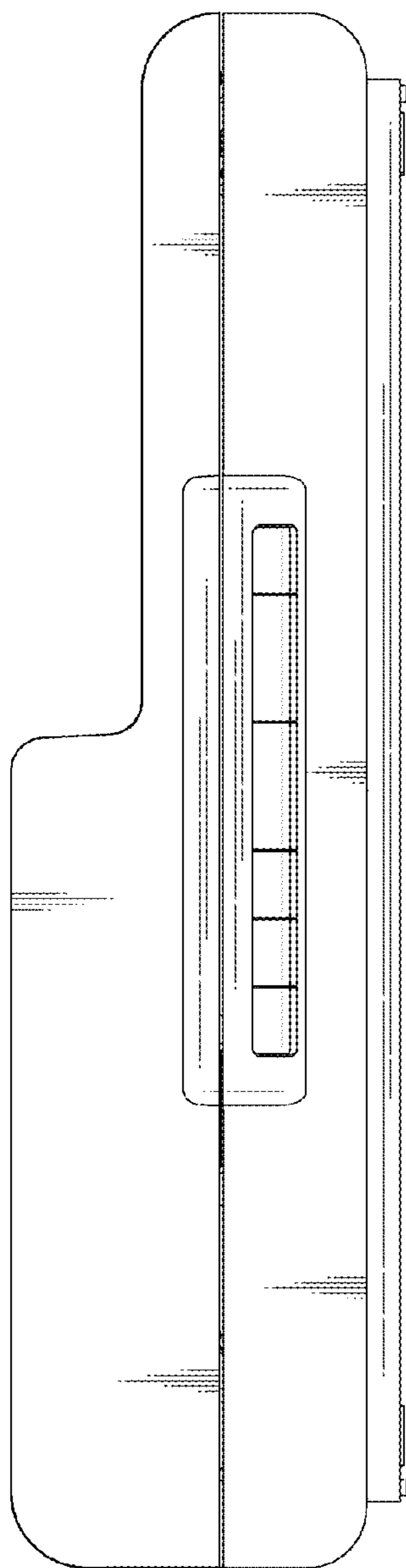


Fig. 3

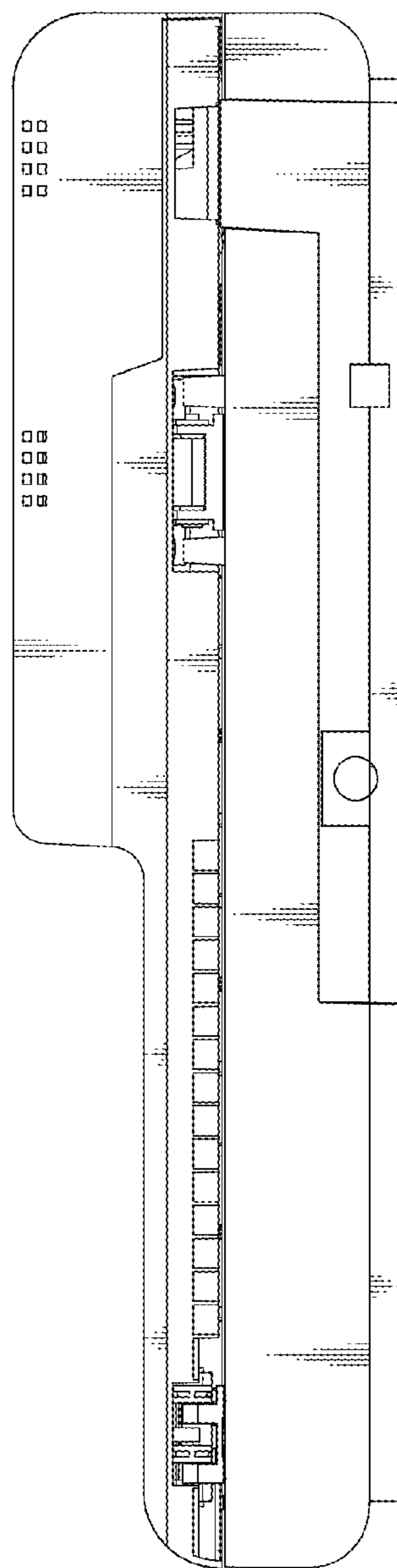


Fig. 4

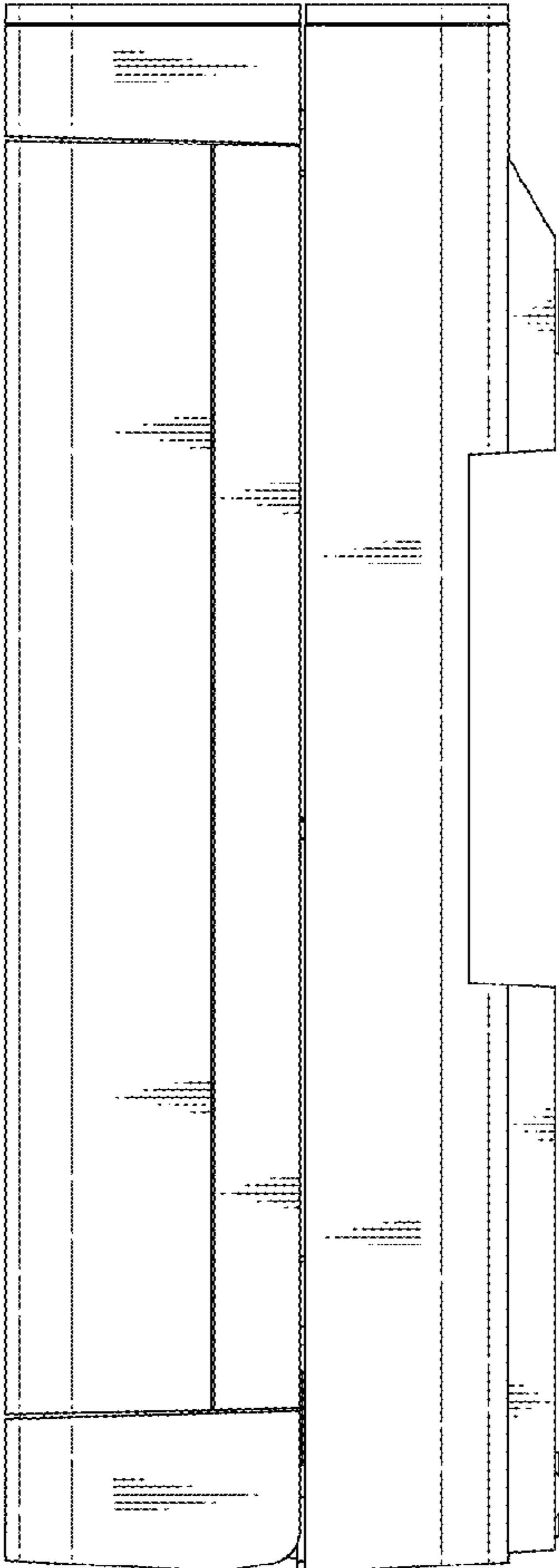


Fig. 5

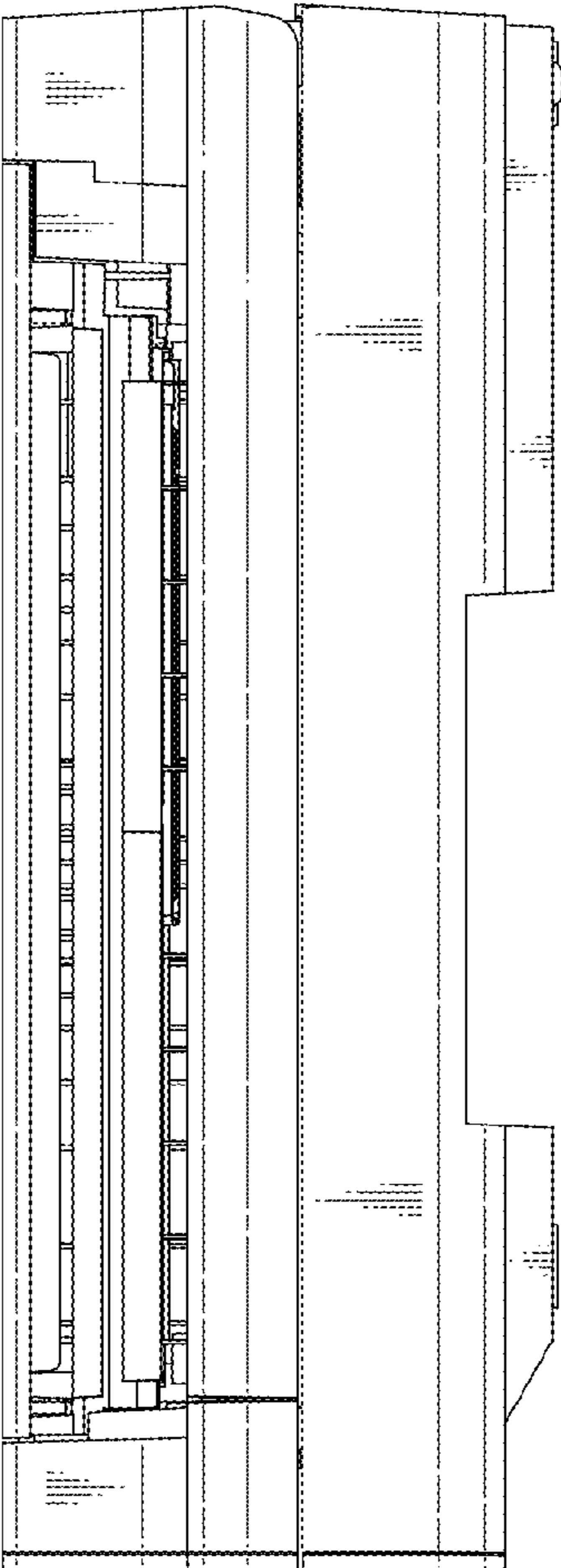


Fig. 6

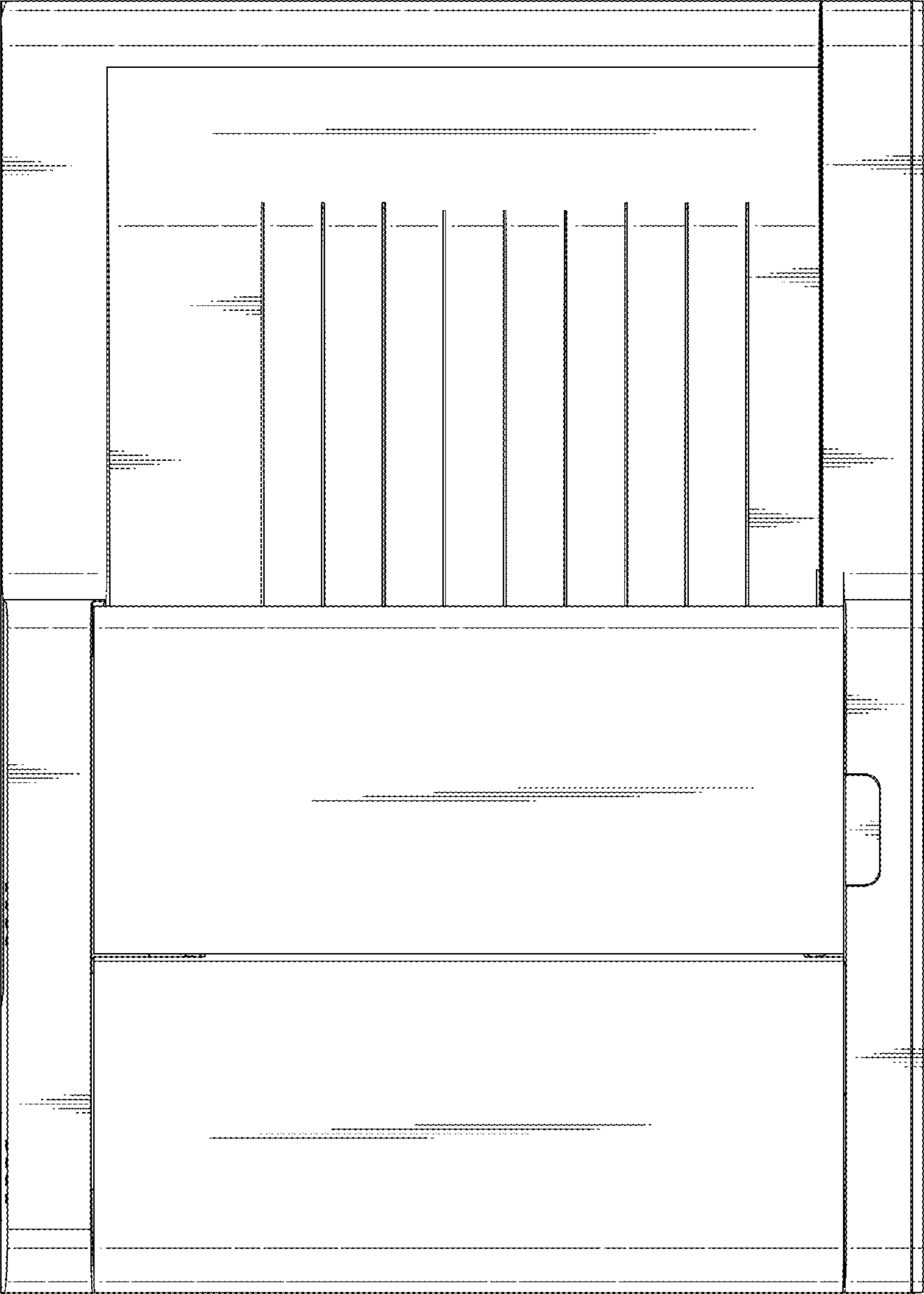


Fig. 7

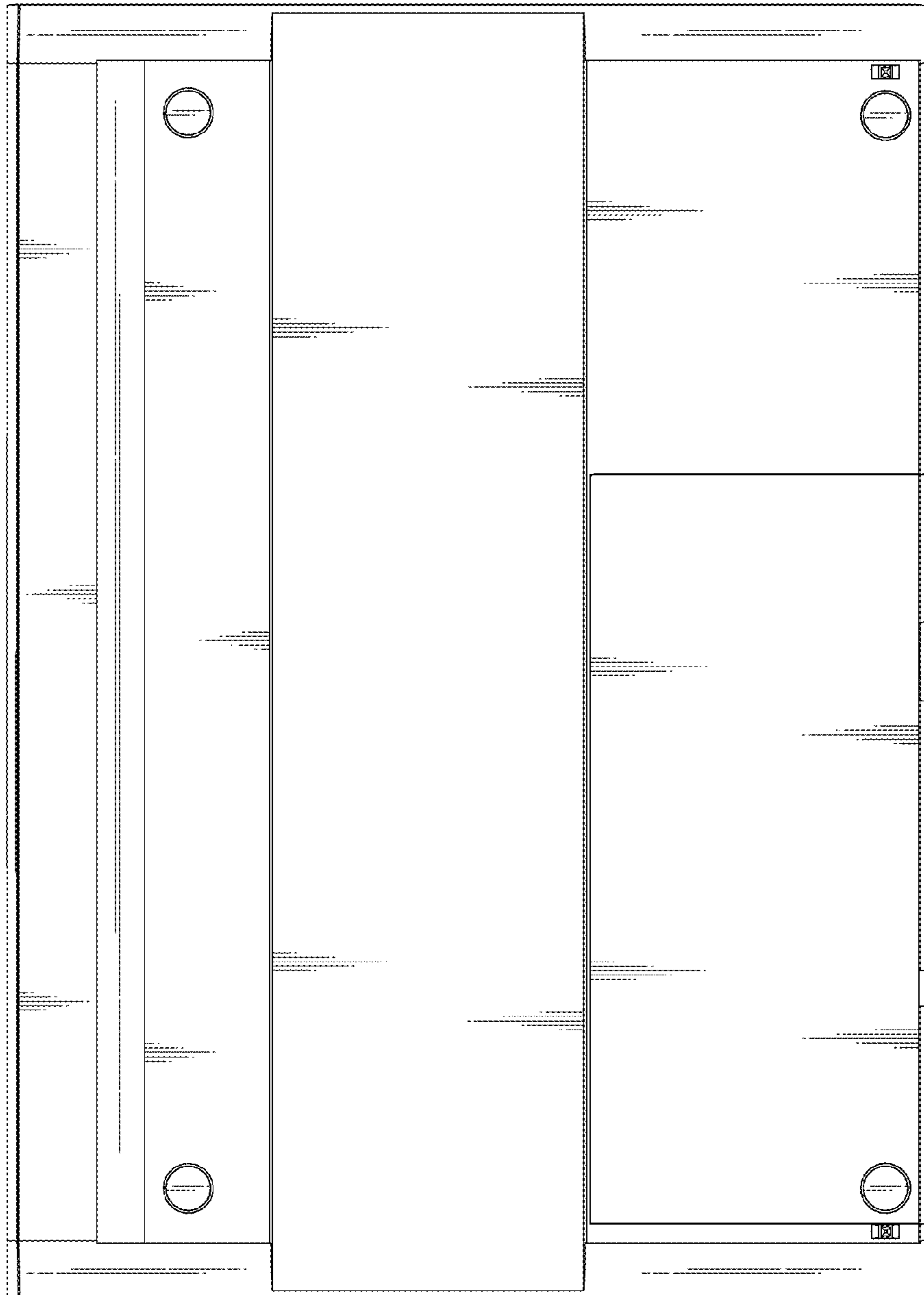


Fig. 8

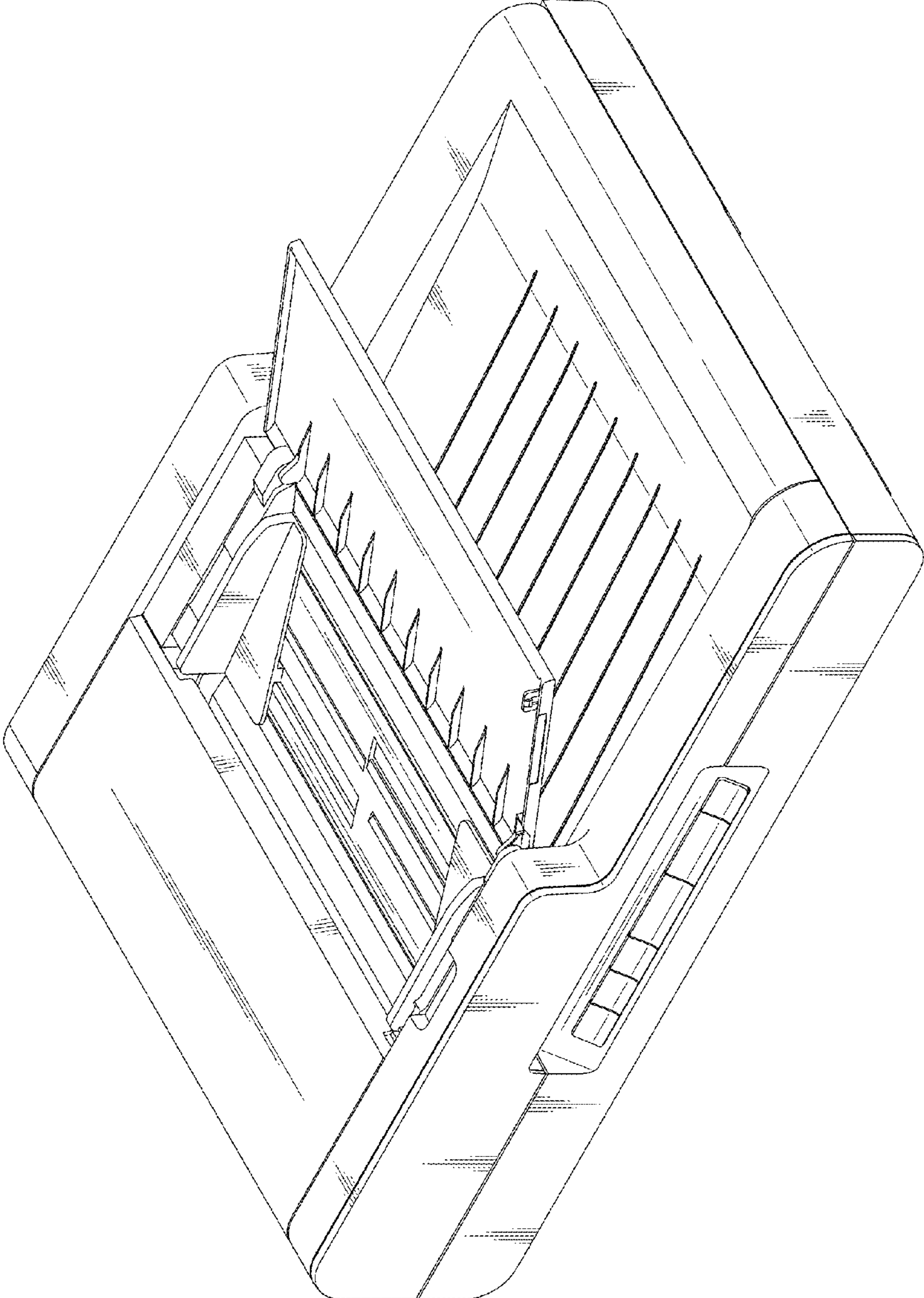


Fig. 9

