



US00D741327S

(12) **United States Design Patent**
Reznik

(10) **Patent No.:** **US D741,327 S**

(45) **Date of Patent:** **** Oct. 20, 2015**

(54) **HEAD MOUNTED DISPLAY**

(71) Applicant: **Vladimir Reznik**, North Miami Beach,
FL (US)

(72) Inventor: **Vladimir Reznik**, North Miami Beach,
FL (US)

(**) Term: **14 Years**

(21) Appl. No.: **29/524,089**

(22) Filed: **Apr. 16, 2015**

(51) **LOC (10) Cl.** **14-02**

(52) **U.S. Cl.**
USPC **D14/372**

(58) **Field of Classification Search**
USPC D14/372, 496, 432, 371, 125, 126, 129,
D14/299; D16/300-342; 351/158, 153, 144;
345/7-9, 905; 455/344; 348/115, 53,
348/121, 739
CPC G02B 27/017; G02B 27/0158; G02B
27/0161; G02B 27/0181; G02B 27/0185;
G02B 27/0189
See application file for complete search history.

(56) **References Cited**

U.S. PATENT DOCUMENTS

- D293,328 S * 12/1987 Murphy et al. D16/313
- D293,450 S * 12/1987 Jannard D16/314
- D338,514 S 8/1993 Holmes
- D351,622 S 10/1994 Holmes
- D363,482 S 10/1995 Robinson
- D369,595 S 5/1996 Kober
- 5,519,460 A * 5/1996 Mills 351/44
- D370,909 S 6/1996 Oikawa
- D381,646 S 7/1997 Taylor
- D383,455 S 9/1997 MacInnes
- D388,426 S 12/1997 Pombo
- D394,649 S 5/1998 Pombo
- D415,146 S 10/1999 Hori

- D427,982 S 7/2000 Ishii
- D565,640 S * 4/2008 Estrem D16/340
- D571,838 S * 6/2008 Yee D16/101
- D574,405 S * 8/2008 Yee D16/101
- D601,641 S * 10/2009 Yeung D21/483
- D645,862 S 9/2011 Paul
- D687,434 S * 8/2013 Serota D14/372
- D695,738 S 12/2013 Kumagai
- D701,206 S * 3/2014 Luckey et al. D14/372

(Continued)

Primary Examiner — Austin Murphy

(74) *Attorney, Agent, or Firm* — Max Kaganov, PA

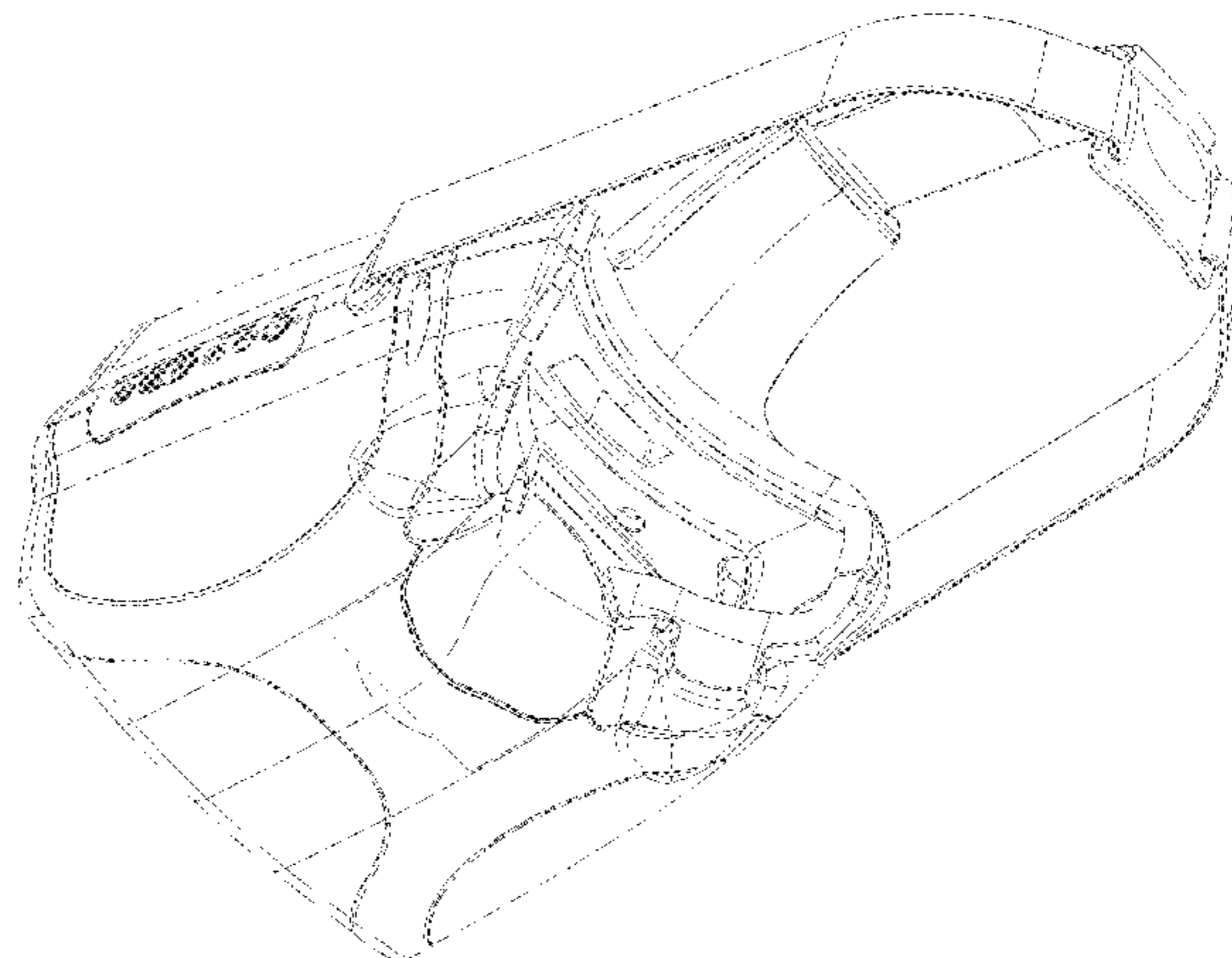
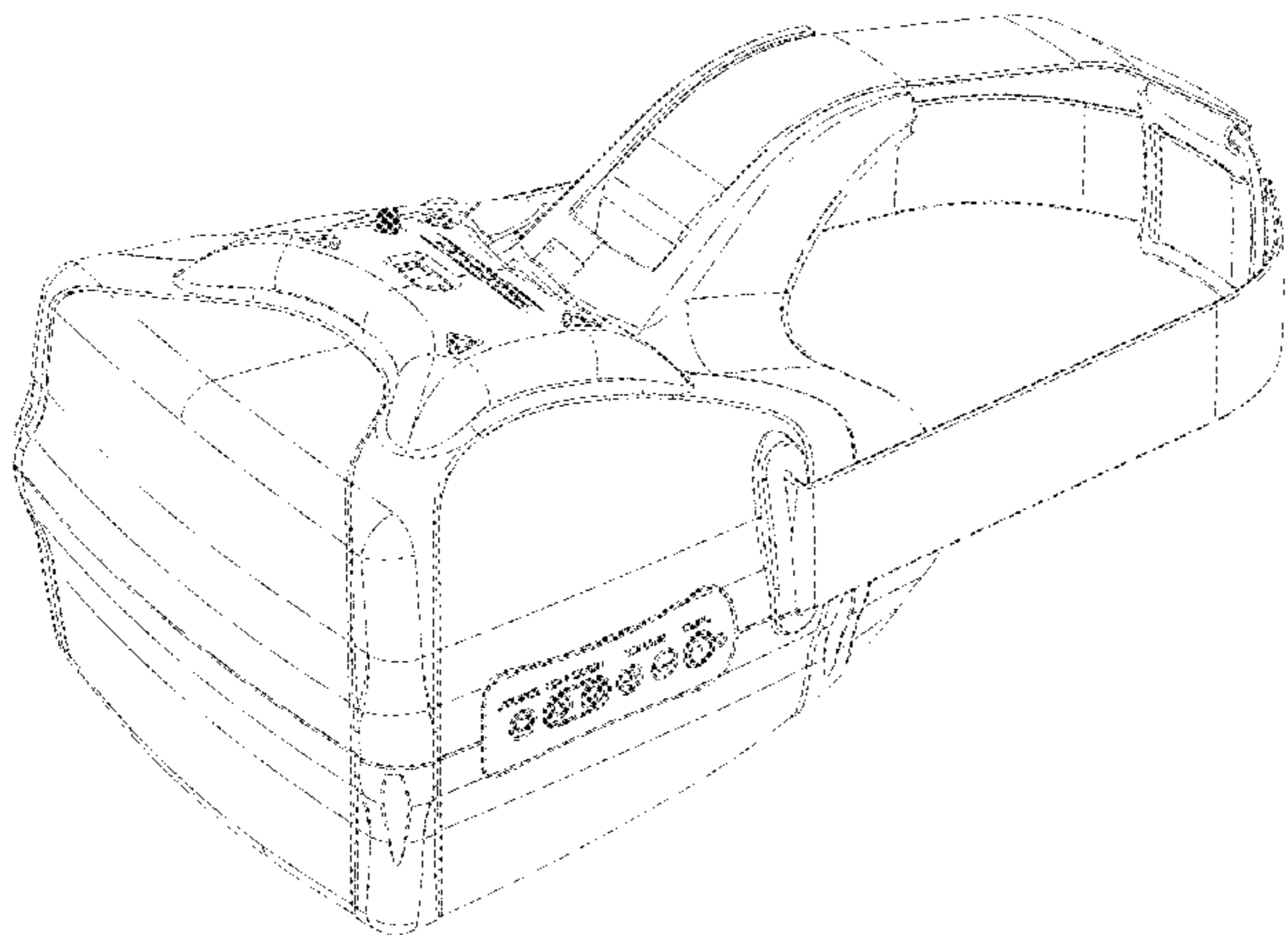
(57) **CLAIM**

The ornamental design for a head mounted display, as shown and described.

DESCRIPTION

FIG. 1 shows a perspective view of a head mounted display. FIG. 2 shows a perspective view of the head mounted display. FIG. 3 shows a perspective view of the head mounted display. FIG. 4 shows a perspective view of the head mounted display. FIG. 5 shows a side elevation view of the head mounted display. FIG. 6 shows a front elevation view of the head mounted display. FIG. 7 shows a side elevation view of the head mounted display. FIG. 8 shows a rear elevation view of the head mounted display. FIG. 9 shows a top plan view of the head mounted display. FIG. 10 shows a partial perspective view of the head mounted display. FIG. 11 shows a perspective view of the head mounted display with a strap removed for clarity; and, FIG. 12 shows a perspective view of the head mounted display with a strap removed for clarity. The drawings include contour lines to aid in the representation of the three dimensional structure.

1 Claim, 12 Drawing Sheets



US D741,327 S

Page 2

(56)

References Cited

U.S. PATENT DOCUMENTS

D704,706 S 5/2014 Serota
D709,880 S 7/2014 Kim
D714,786 S * 10/2014 Pombo et al. D14/372
D719,953 S 12/2014 Nokuo

D722,054 S * 2/2015 Serota D14/372
D724,559 S * 3/2015 Reaux D14/205
D725,690 S * 3/2015 Garfias D16/101
D727,318 S * 4/2015 Garcia Marin et al. D14/372
D727,896 S * 4/2015 Laluque D14/372

* cited by examiner

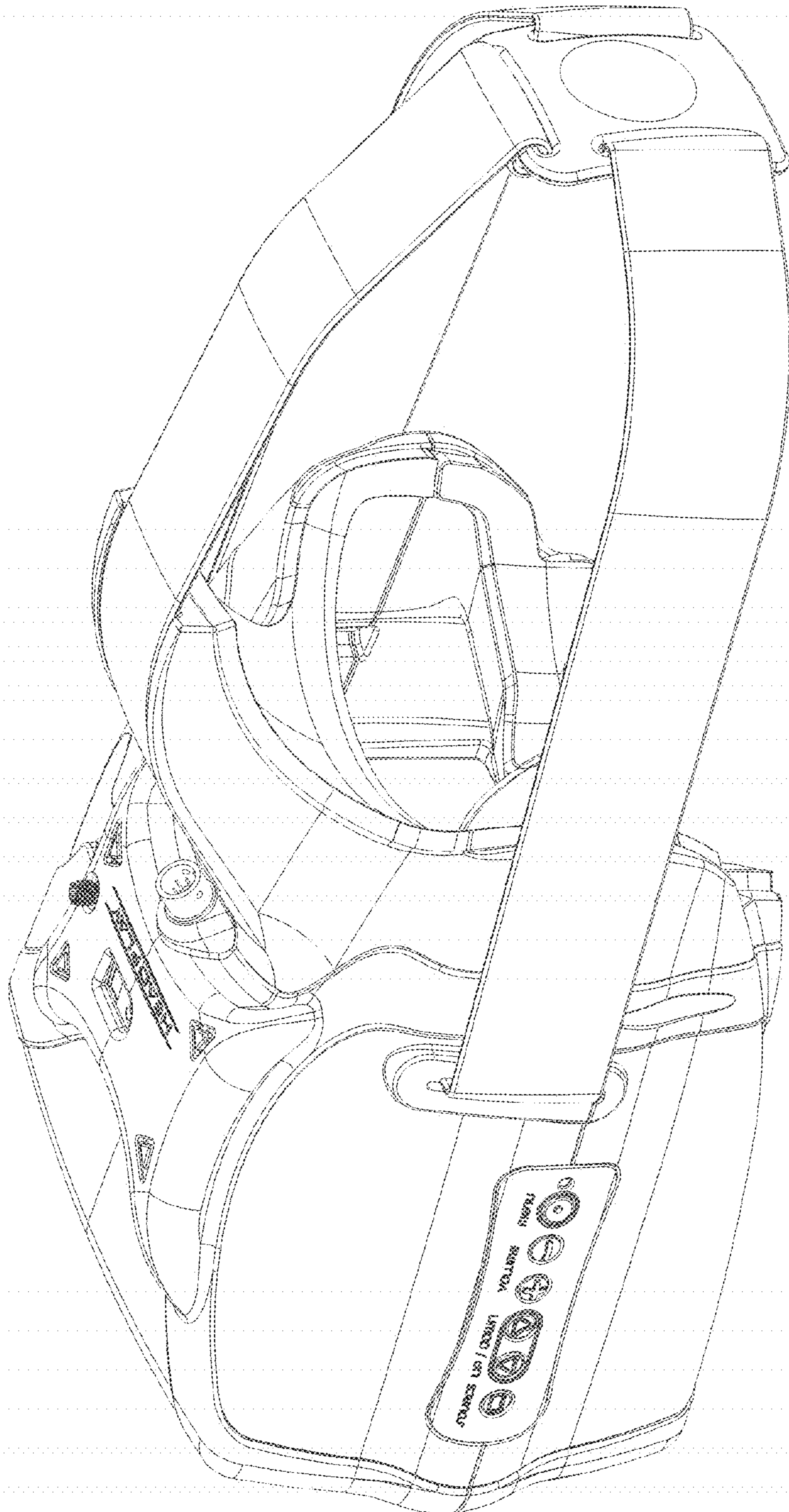


Fig. 1

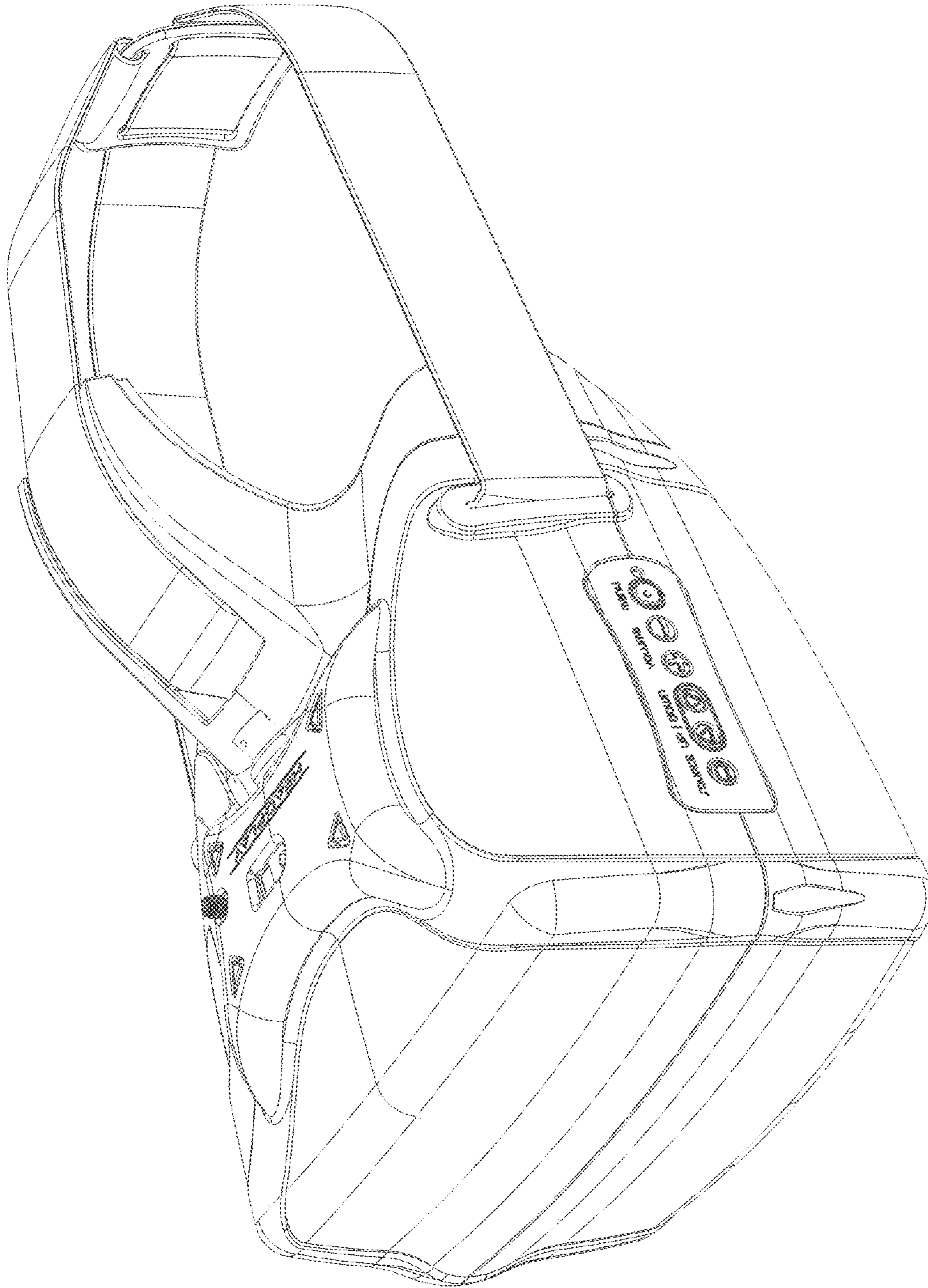


Fig. 2

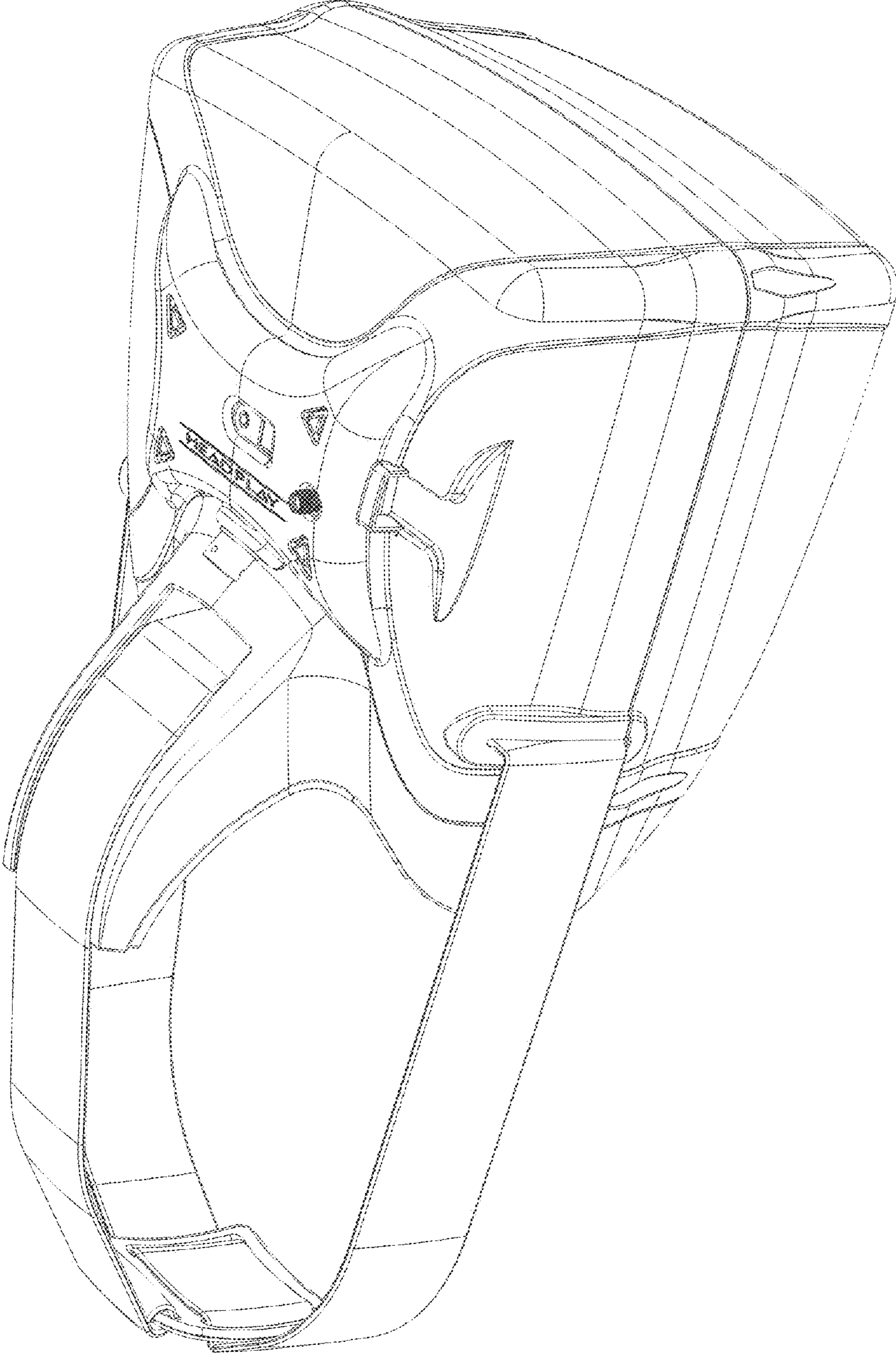


Fig. 3

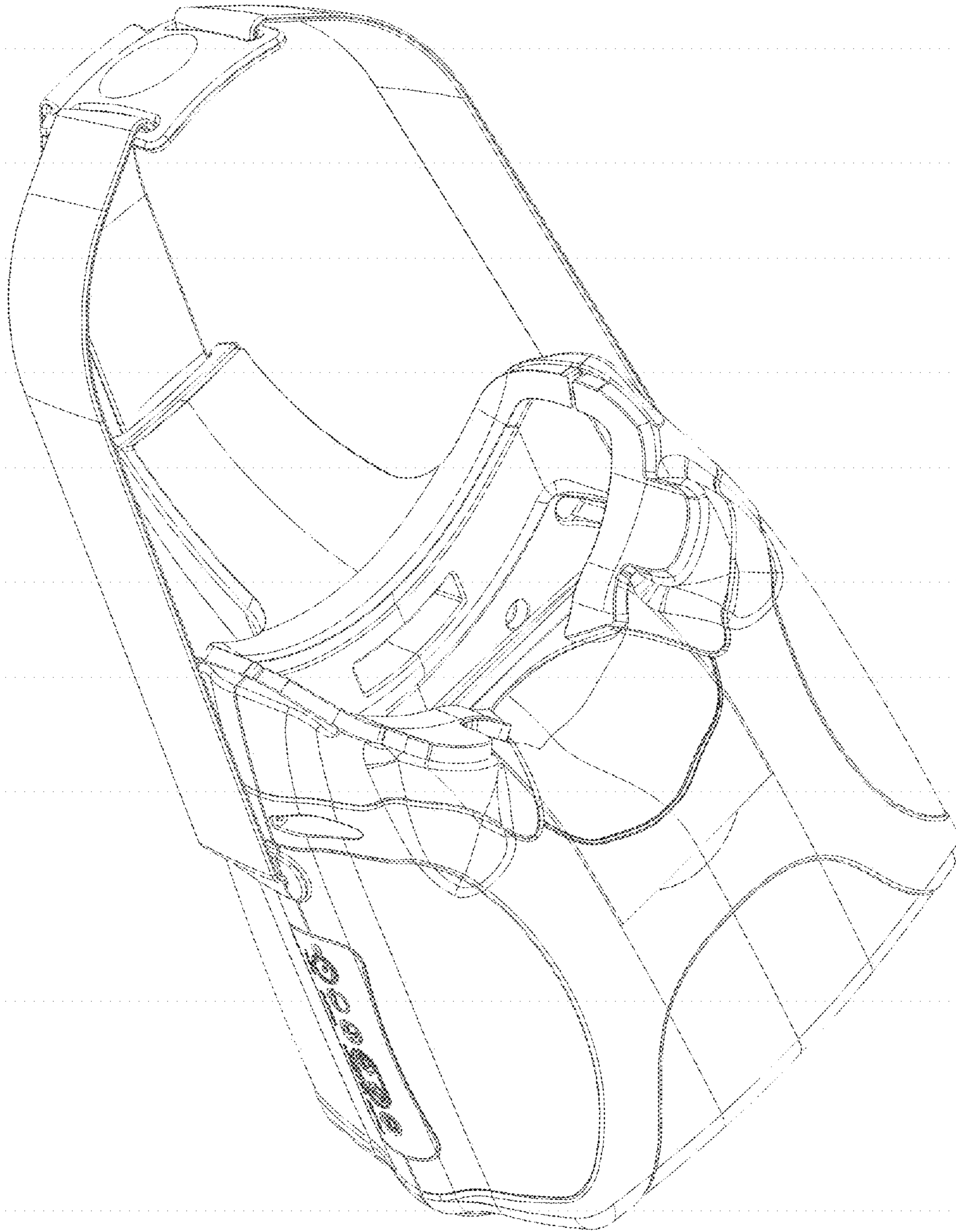


FIG. 4

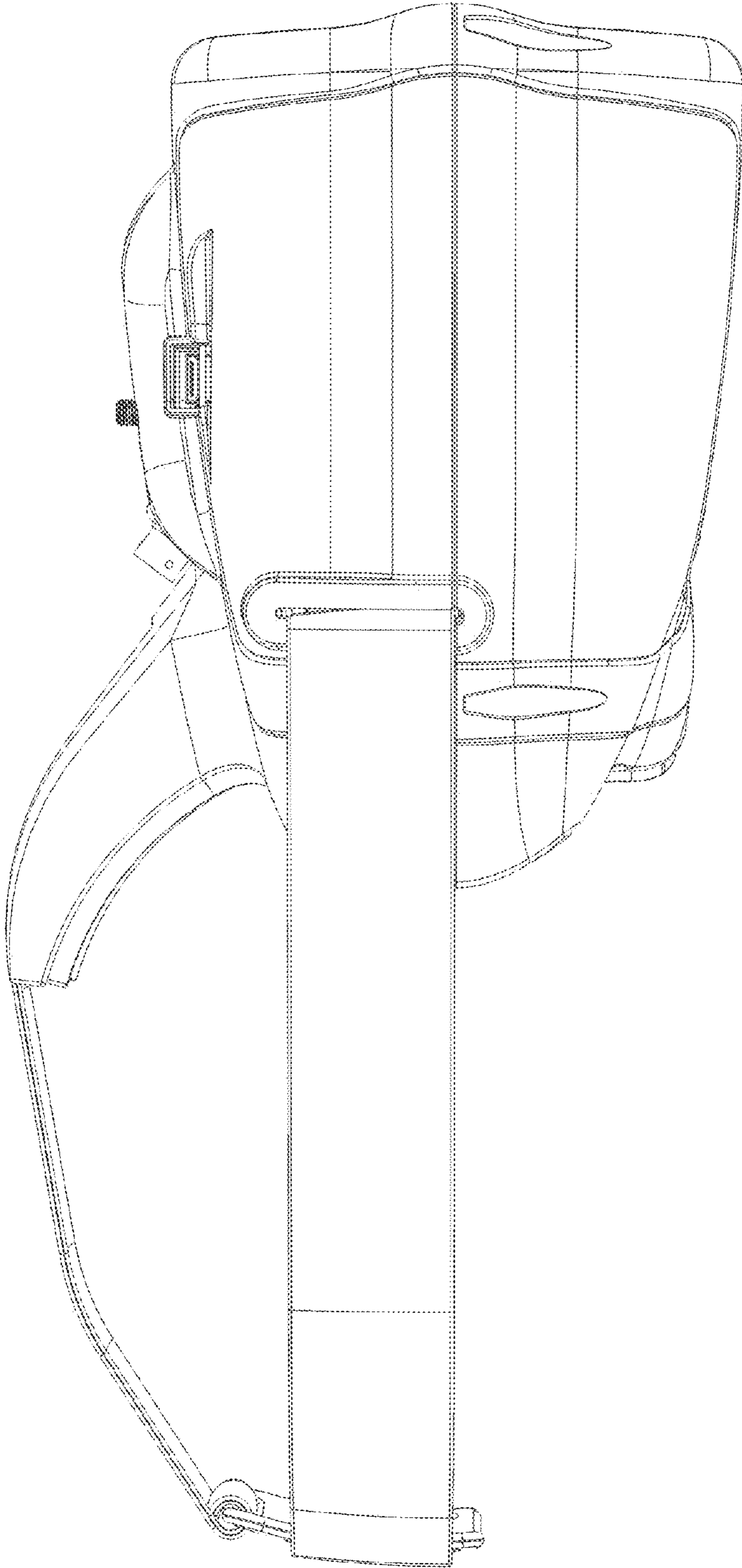


Fig. 5

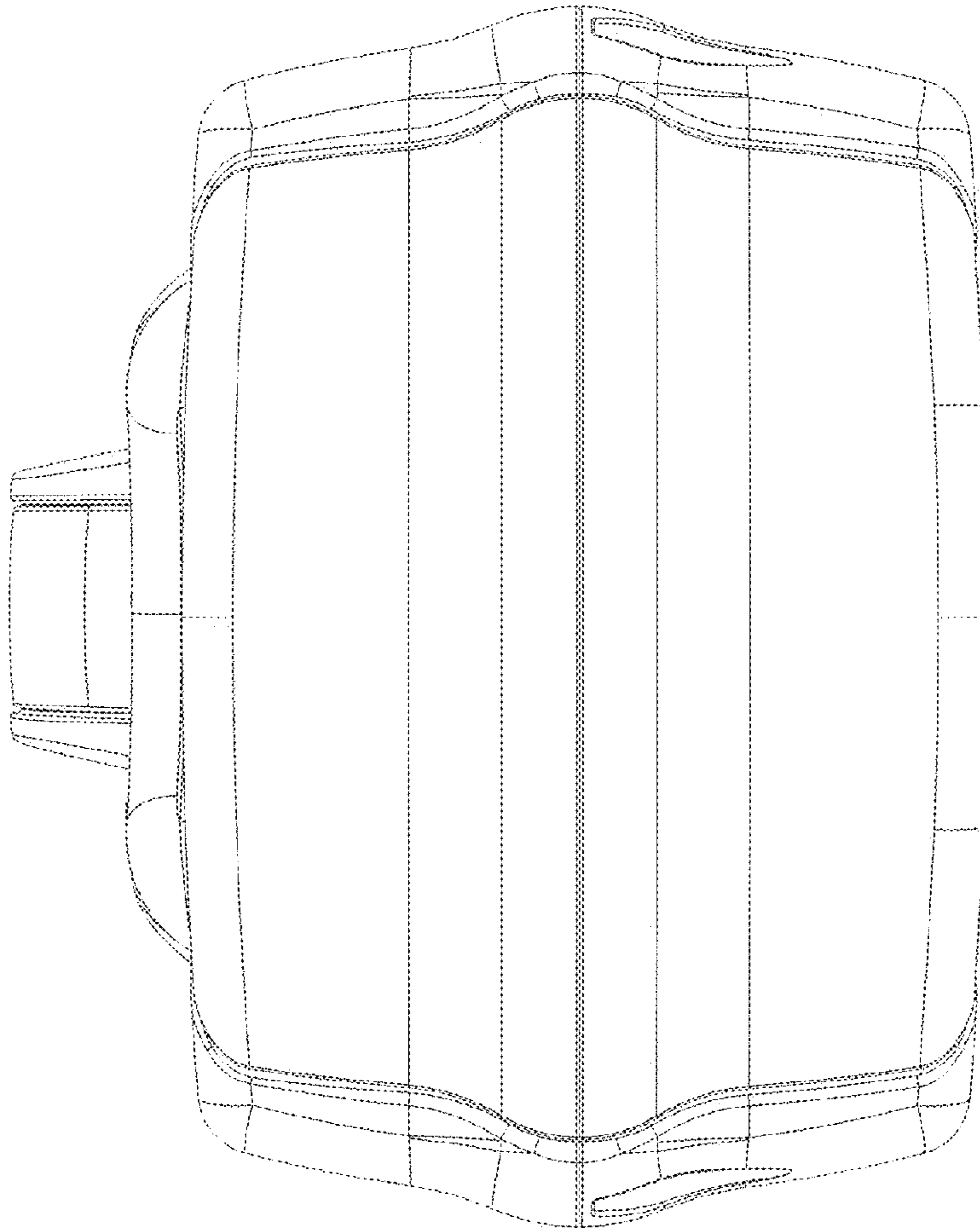


Fig. 6

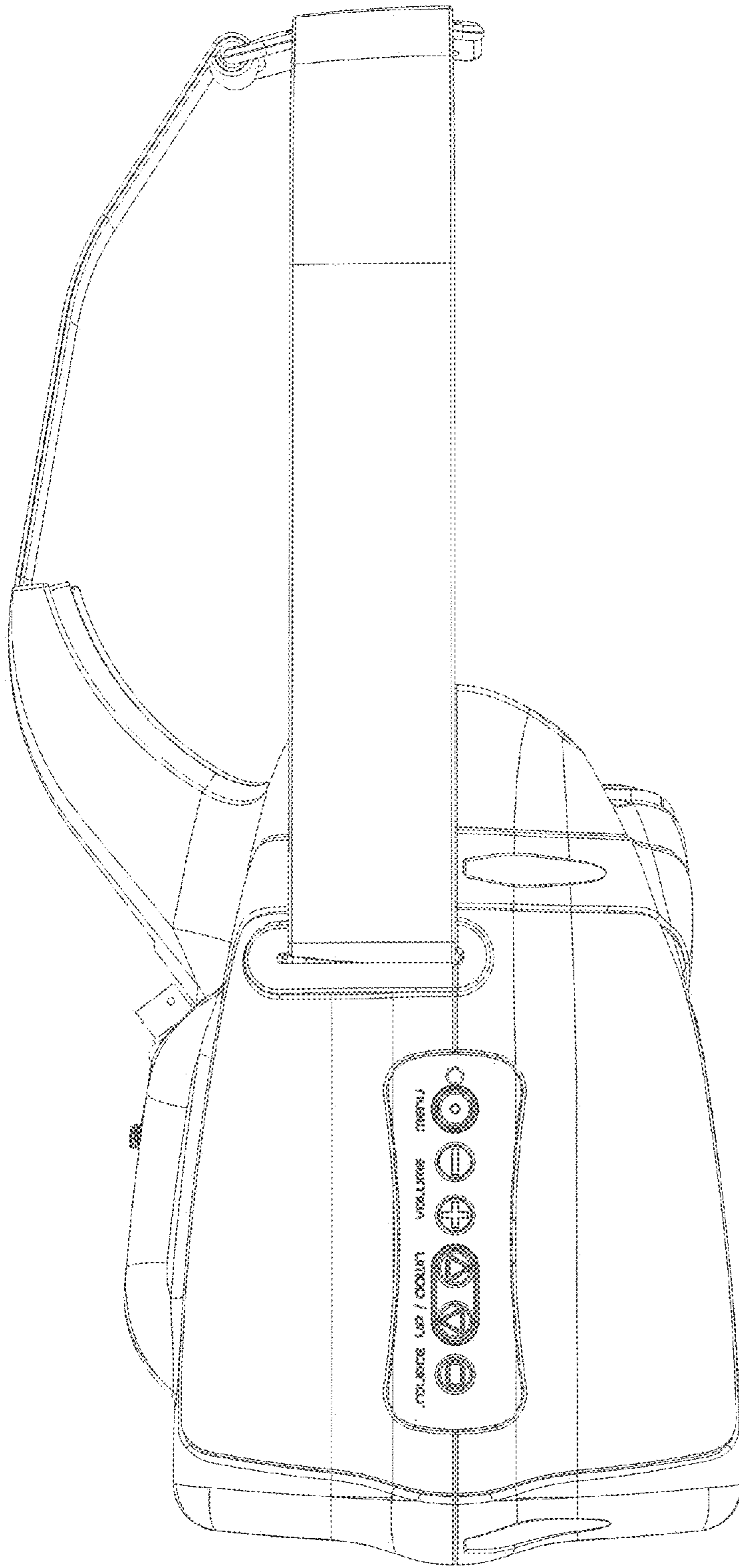


Fig. 7

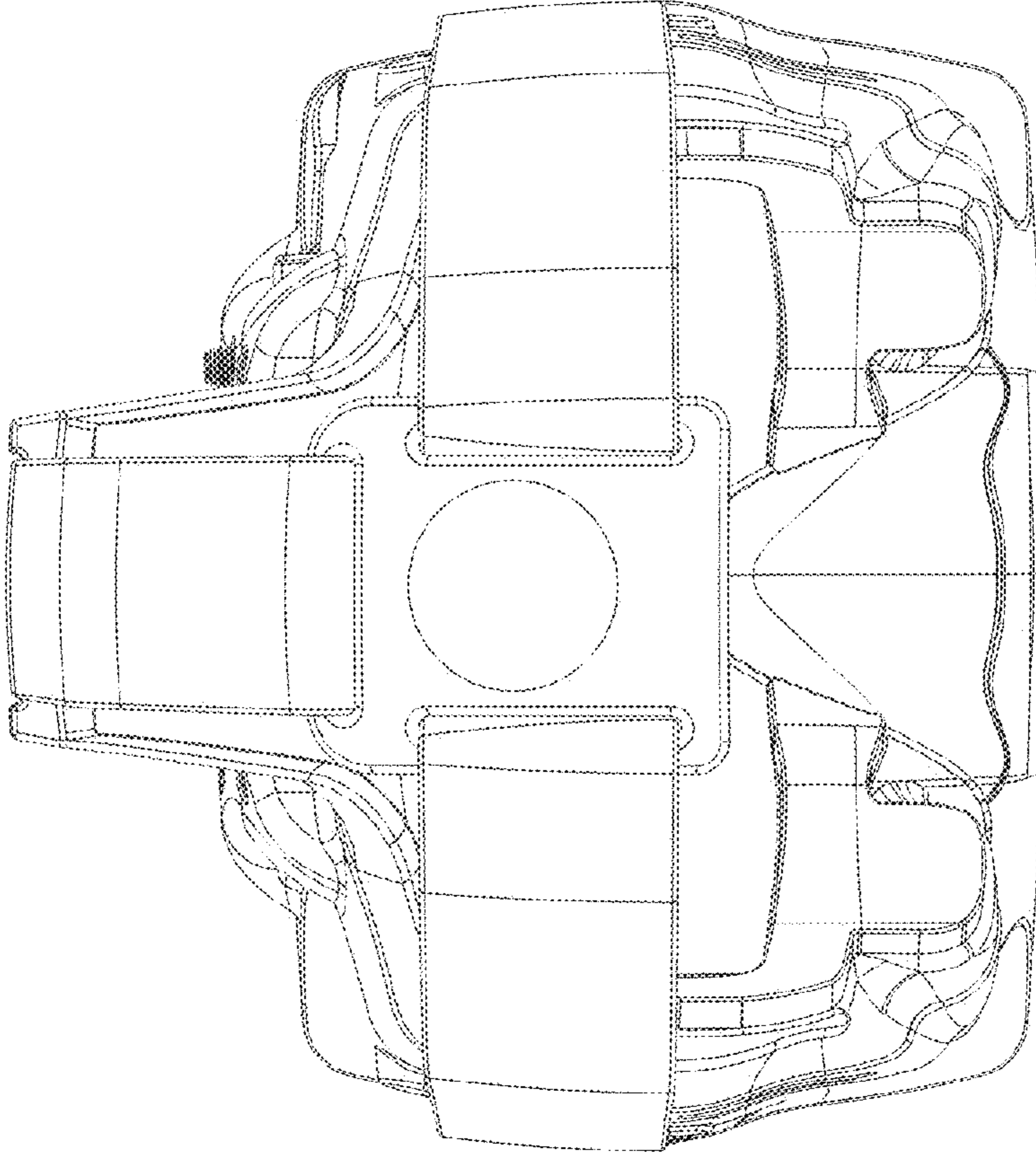


Fig. 8

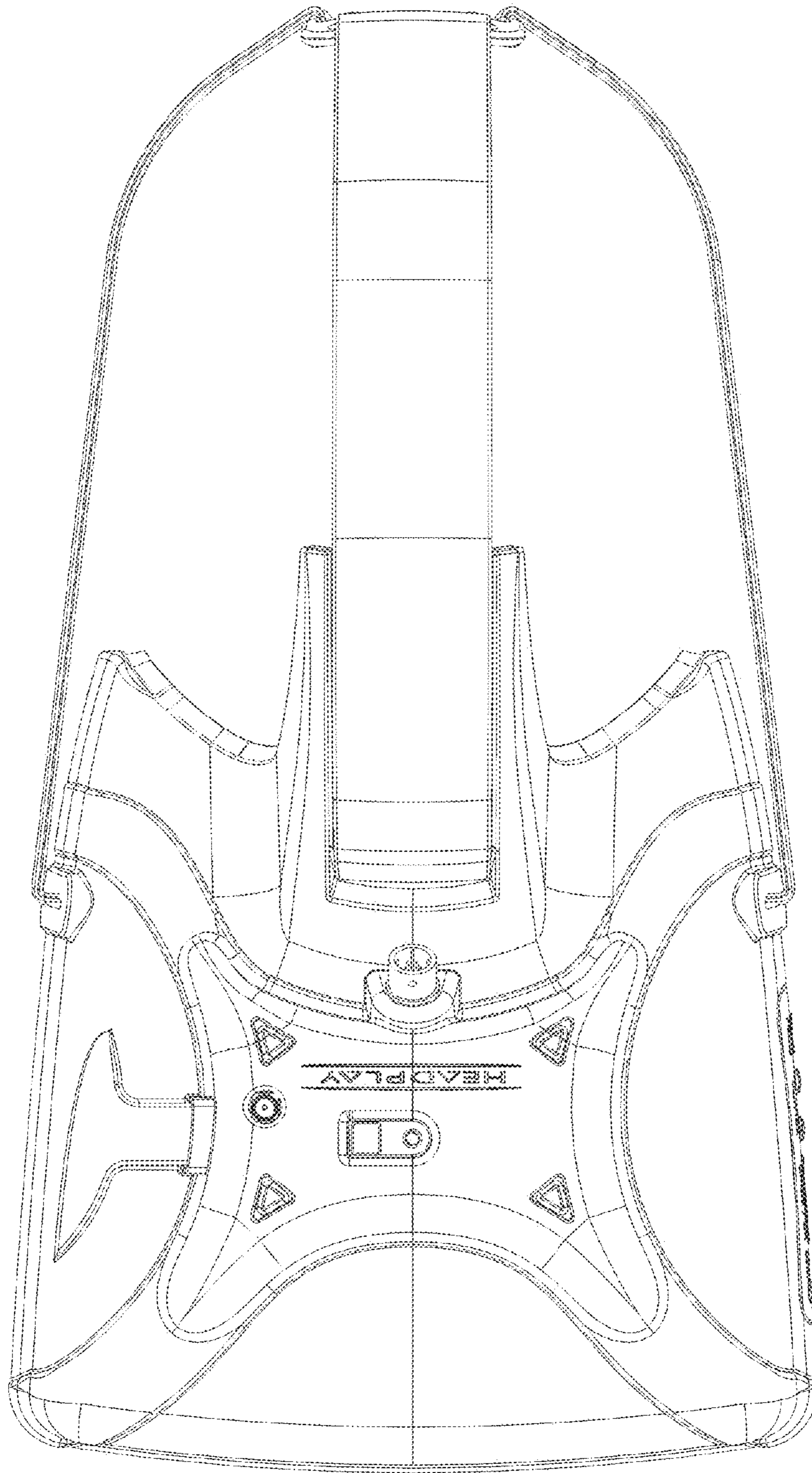


Fig. 9

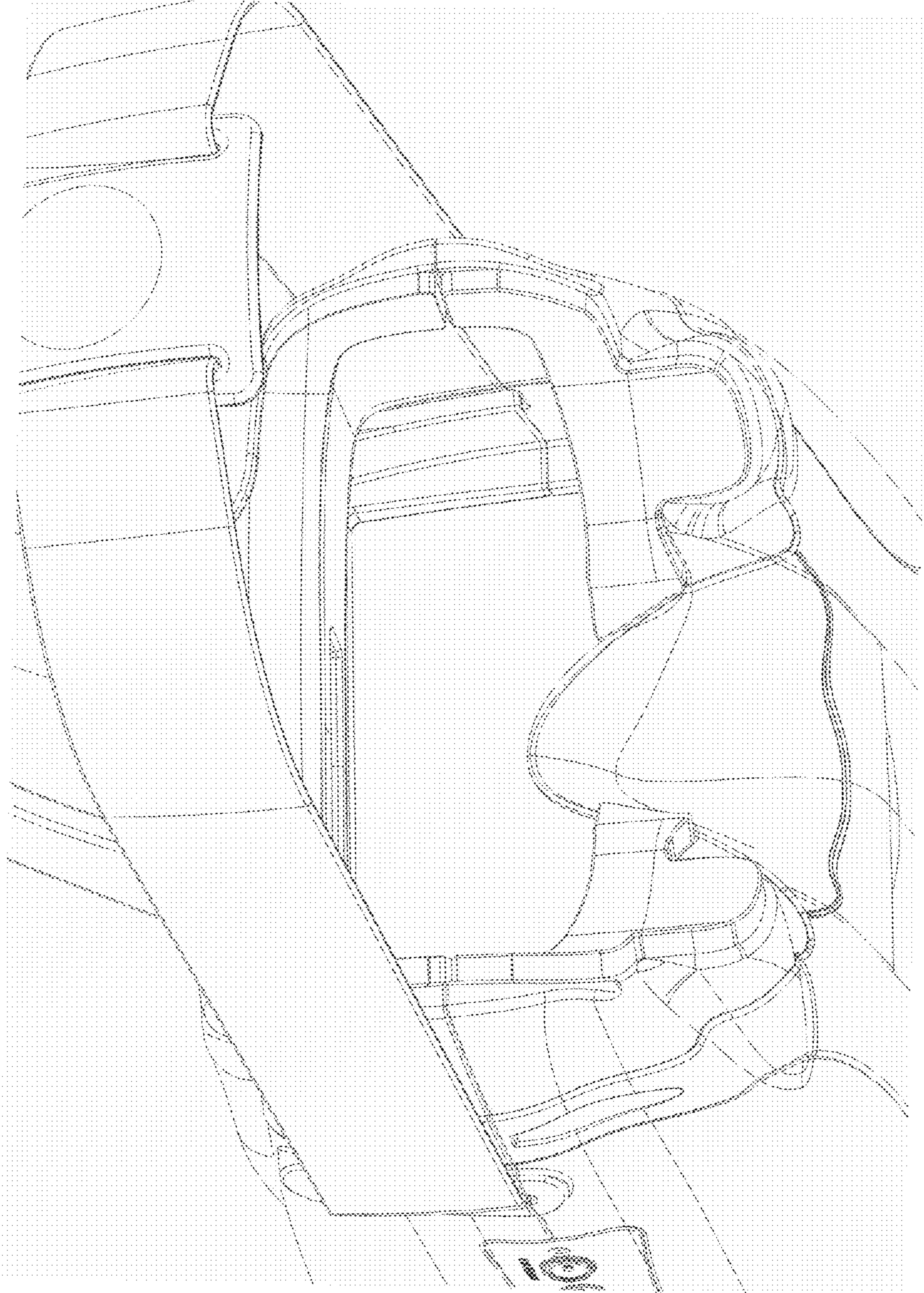


Fig. 10

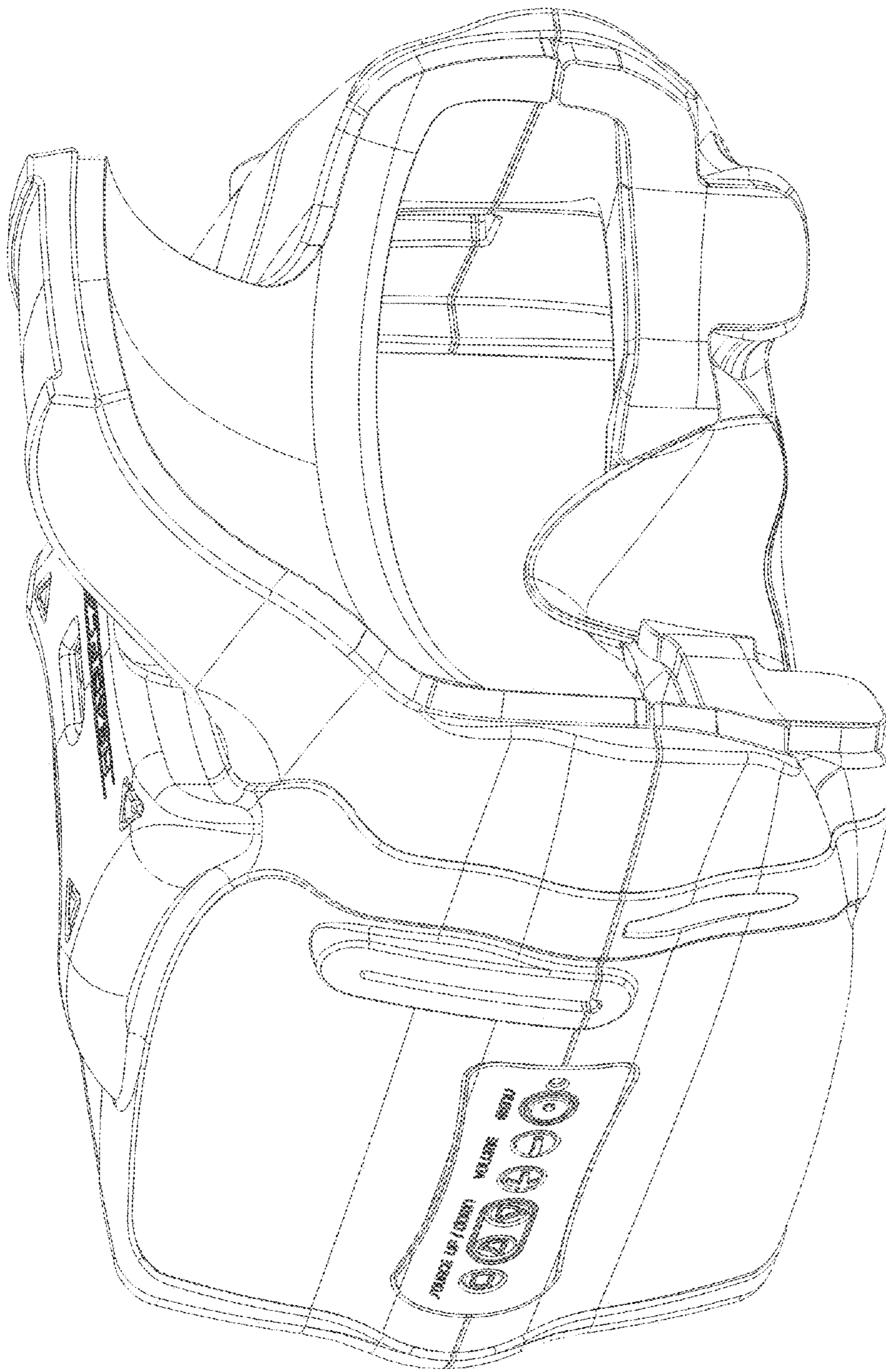


Fig. 11

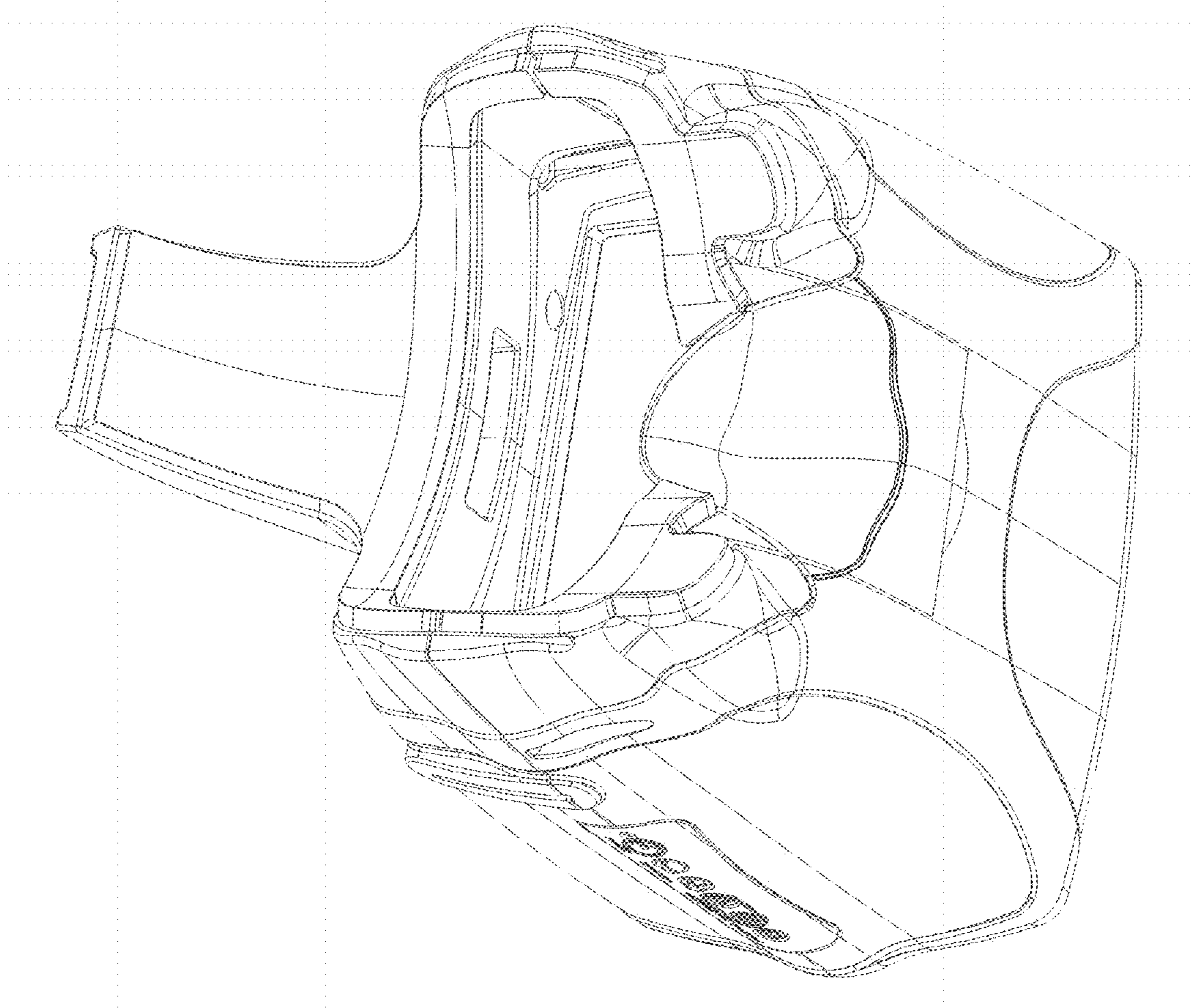


Fig. 12