



US00D741319S

(12) **United States Design Patent**
Yun et al.

(10) **Patent No.:** **US D741,319 S**
(45) **Date of Patent:** **** Oct. 20, 2015**

(54) **TABLET COMPUTER**

(71) Applicant: **Samsung Electronics Co., Ltd.**,
Suwon-si (KR)

(72) Inventors: **Yeo-Wan Yun**, Sungnam-Si (KR);
Se-Hun Oh, Seoul (KR)

(73) Assignee: **Samsung Electronics Co., Ltd.**,
Suwon-si (KR)

(**) Term: **14 Years**

(21) Appl. No.: **29/453,623**

(22) Filed: **May 1, 2013**

(30) **Foreign Application Priority Data**

Nov. 2, 2012 (KR) 30-2012-0052394

(51) **LOC (10) Cl.** **14-02**

(52) **U.S. Cl.**
USPC **D14/341**

(58) **Field of Classification Search**

USPC D14/341-347, 137, 138 R, 138 AA,
D14/138 C, 138 G, 496, 203.1, 203.3, 203.4,
D14/203.7, 129, 130, 147, 248, 250, 374,
D14/385, 388, 389, 315-318, 439, 126, 336,
D14/339, 340; D10/65, 104.1; D21/324,
D21/329, 330, 332; 455/556.1, 556.2, 566,
455/575.1, 90.3; 379/433.04, 433.01,
379/433.06, 916; 345/173; 361/679.26,
361/679.27, 679.3, 679.55, 679.56,
361/680-686; D6/310; 463/37;
248/917-924; 348/373, 376; D19/26
CPC A63H 33/3016; G06F 1/1613; H04M
1/0202; H04M 1/0279; H04M 1/0281; H04M
1/0283

See application file for complete search history.

(56) **References Cited**

U.S. PATENT DOCUMENTS

D266,762 S * 11/1982 Gibson D14/141.3
D304,032 S * 10/1989 Fine et al. D14/374

D317,446 S * 6/1991 Vossoughi et al. D14/374
D541,755 S * 5/2007 Spira D13/162
D568,055 S * 5/2008 Fernandez D6/308
D571,748 S * 6/2008 Ellison D14/126
D572,666 S * 7/2008 Biery et al. D13/170
D615,515 S * 5/2010 Hwang D14/130
D619,972 S * 7/2010 Felegy et al. D13/168
D643,825 S * 8/2011 Hwang D14/130
D703,667 S * 4/2014 Song et al. D14/345
D705,219 S * 5/2014 Martin et al. D14/315
D705,778 S * 5/2014 Groene et al. D14/341
D711,370 S * 8/2014 Chen et al. D14/341
D713,843 S * 9/2014 Erdogan D14/341
D719,566 S * 12/2014 Chen et al. D14/341
2005/0126061 A1 * 6/2005 Lin 40/735

* cited by examiner

Primary Examiner — Barbara Fox

Assistant Examiner — Dana K Weiland

(74) *Attorney, Agent, or Firm* — NSIP Law

(57) **CLAIM**

The ornamental design for a tablet computer, as shown and described.

DESCRIPTION

FIG. 1 is a front perspective view of a tablet computer, showing our new design;
FIG. 2 is a front view thereof;
FIG. 3 is a rear view thereof;
FIG. 4 is a left-side view thereof;
FIG. 5 is a right-side view thereof;
FIG. 6 is a top plan view thereof;
FIG. 7 is a bottom plan view thereof;
FIG. 8 is another left-side view thereof, in which a stand part of the tablet computer is in a closed position; and,
FIG. 9 is a rear perspective view of a tablet computer of FIG. 1, in which a stand part of the tablet computer is in a closed position.

The broken lines shown in the drawings represent portions of the tablet computer that form no part of the claimed design. The shade lines in the figures show contour and not surface ornamentation.

1 Claim, 7 Drawing Sheets

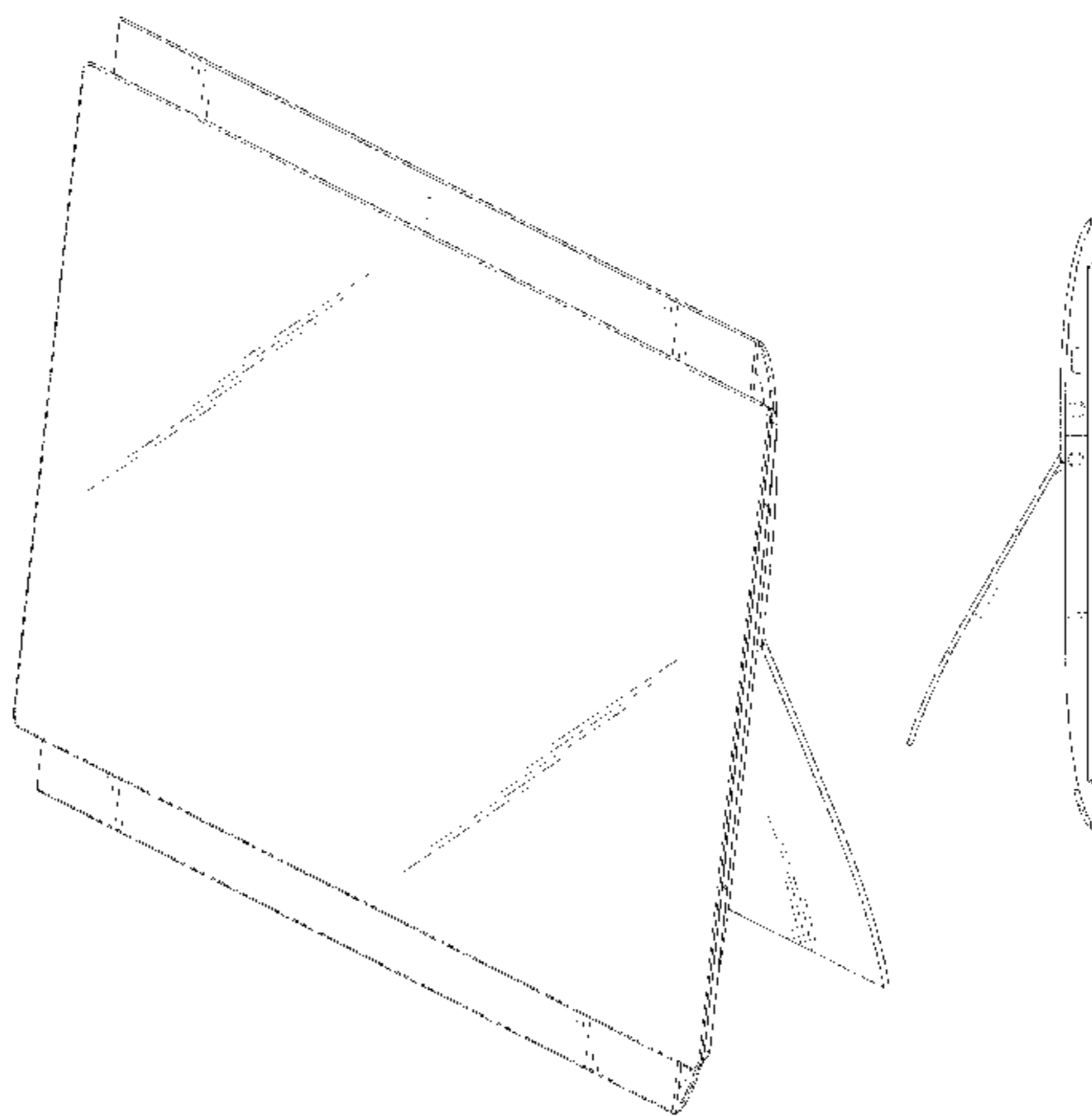


FIG. 1

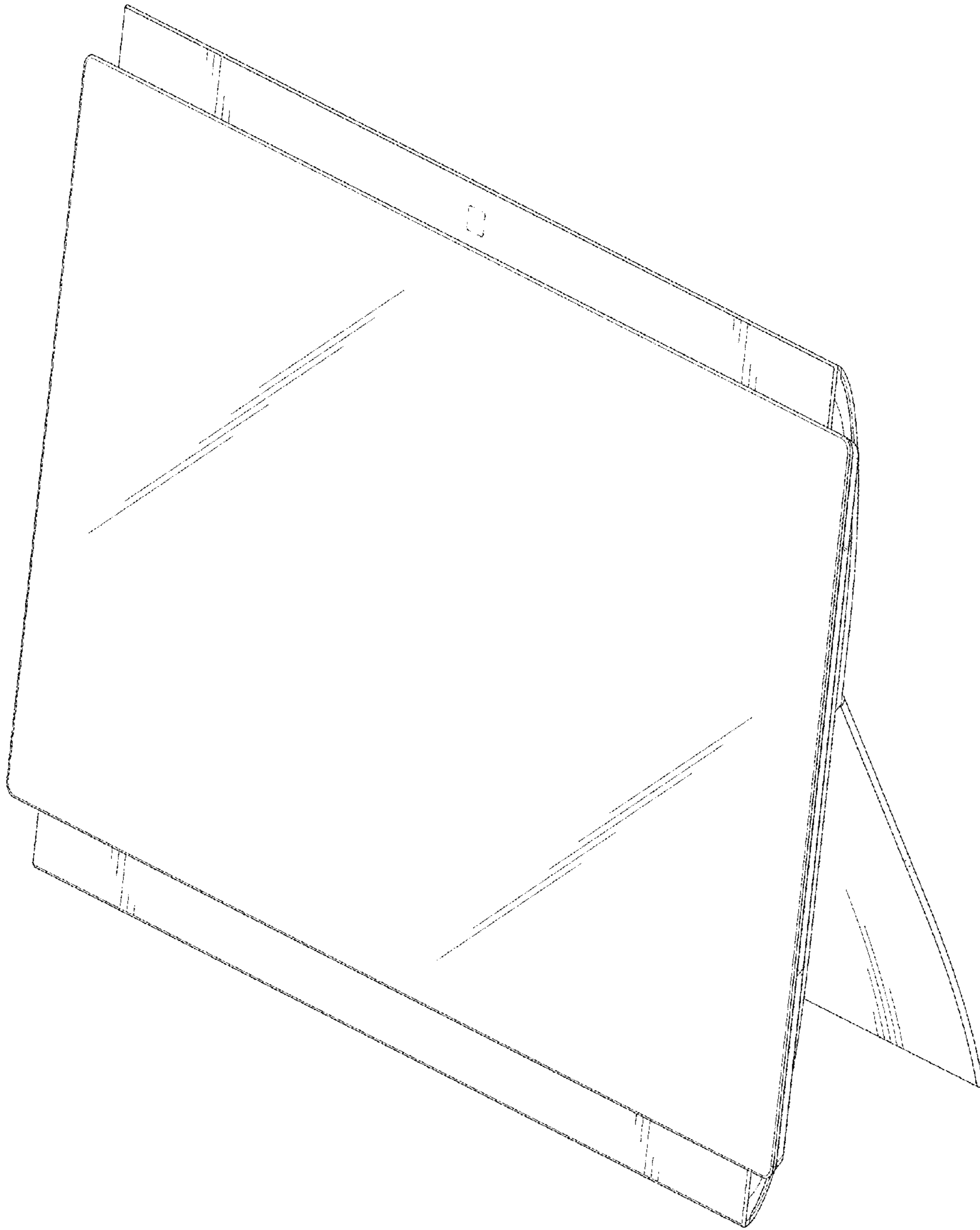


FIG. 2

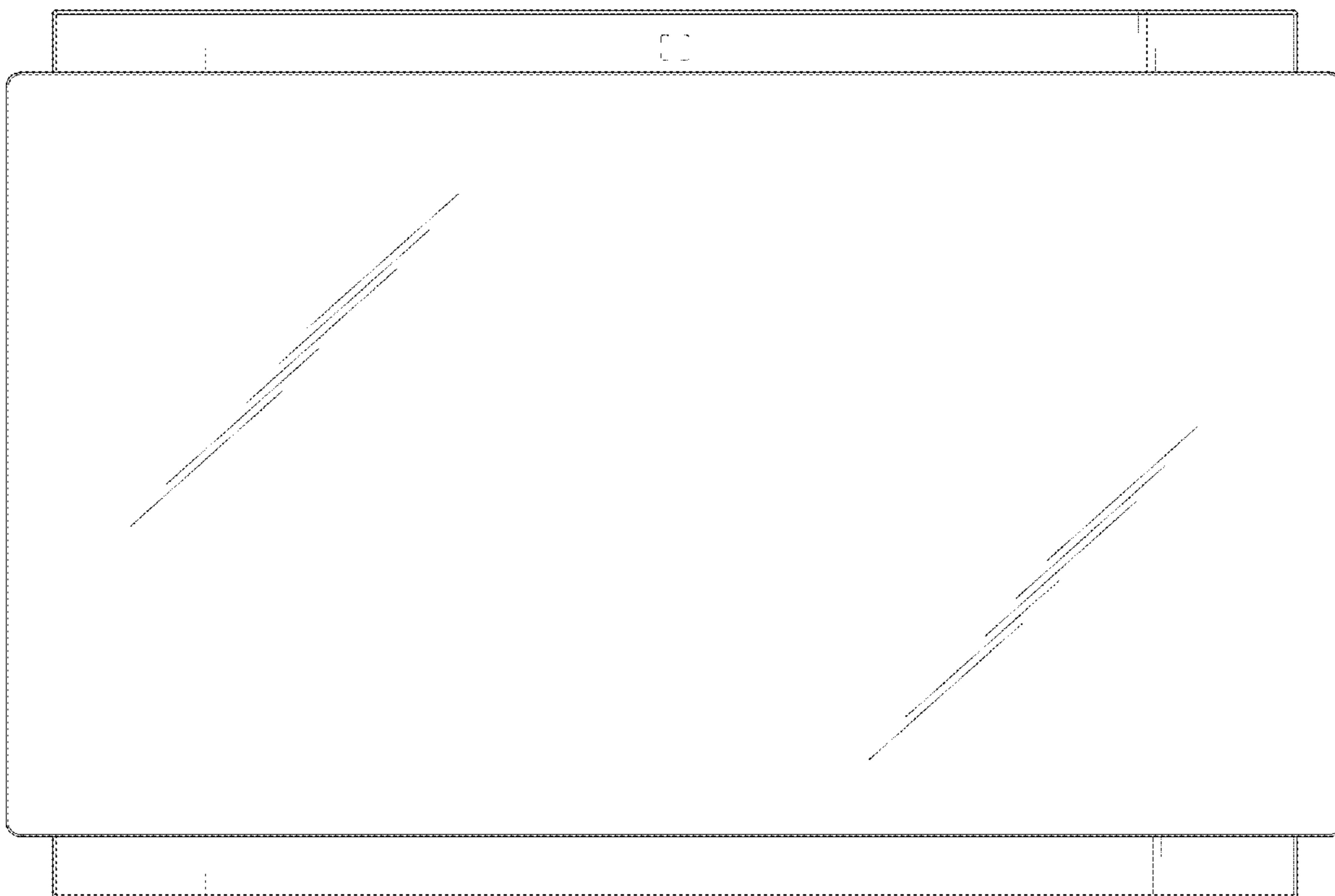


FIG. 3

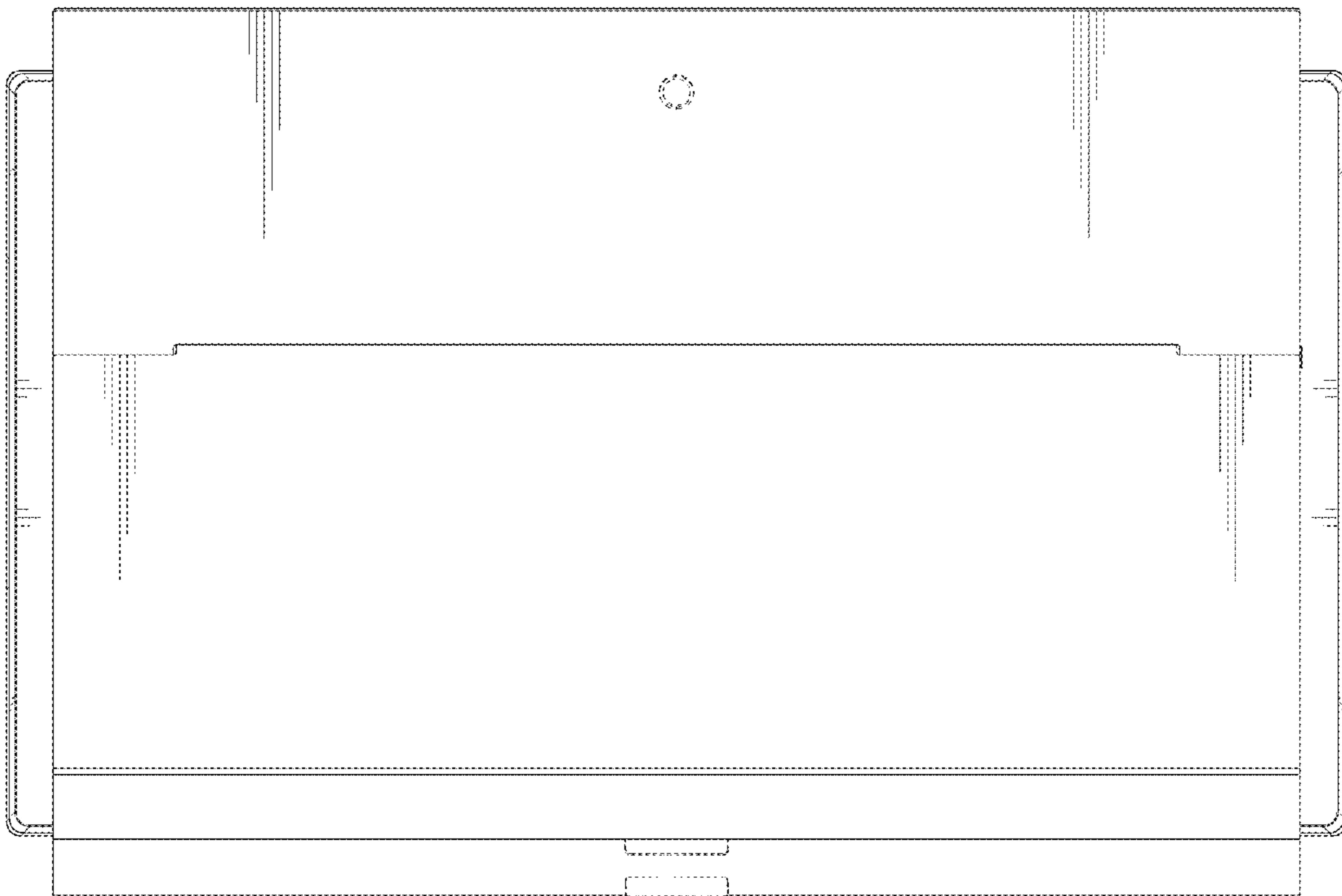


FIG. 4

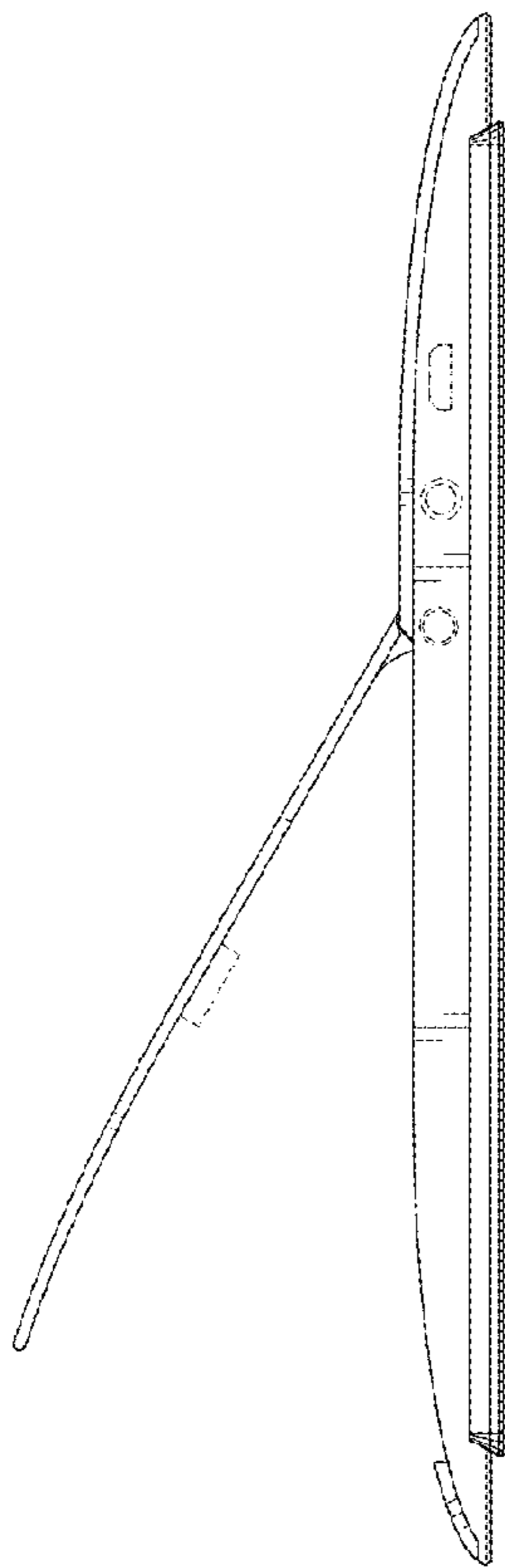


FIG. 5

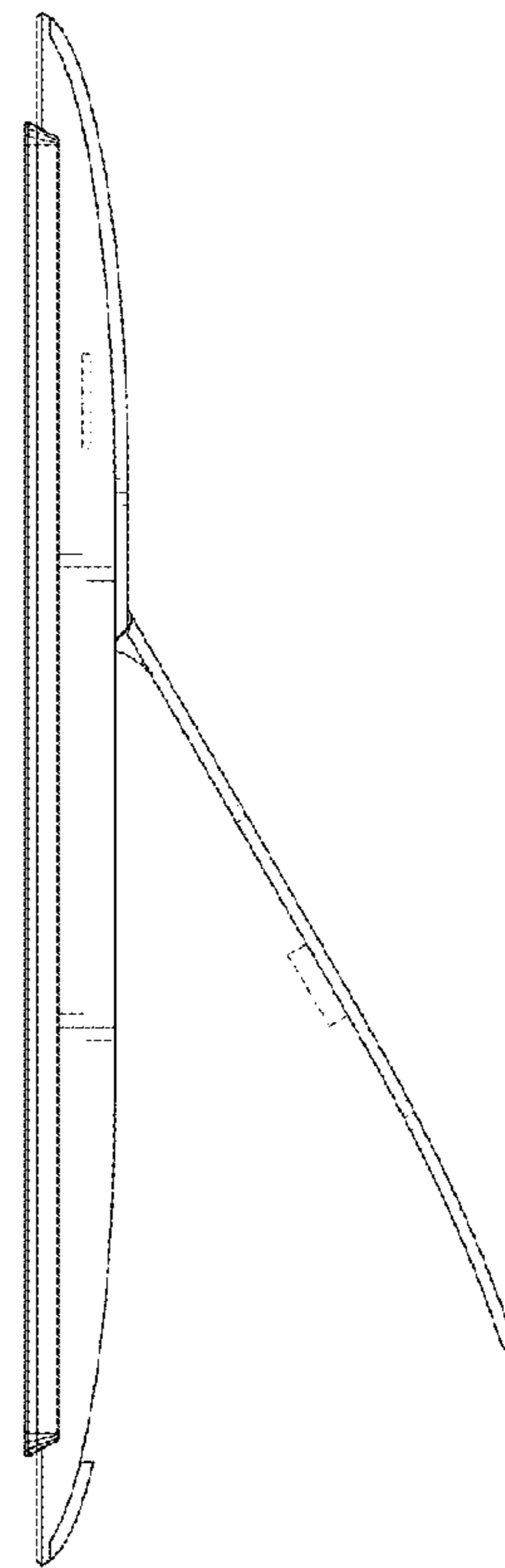


FIG. 6

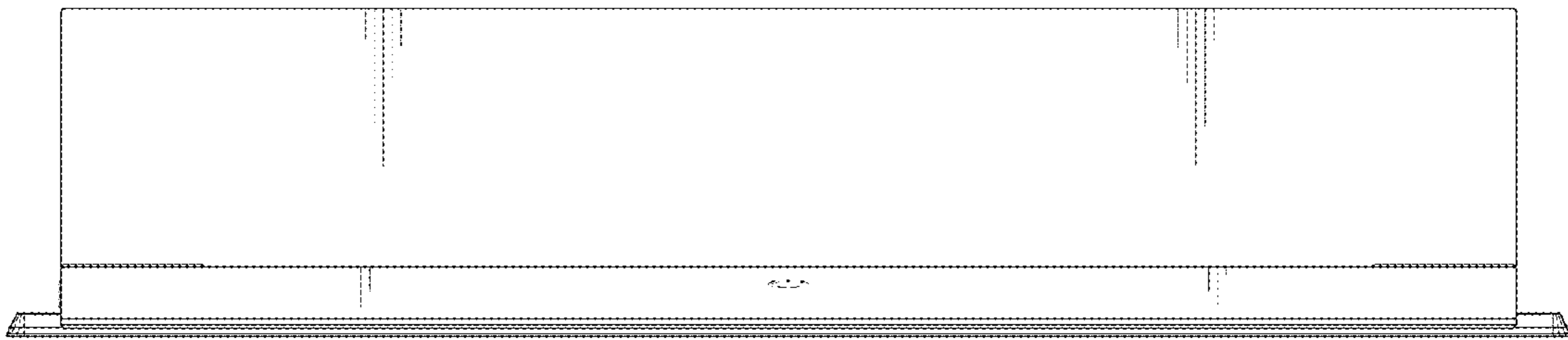


FIG. 7

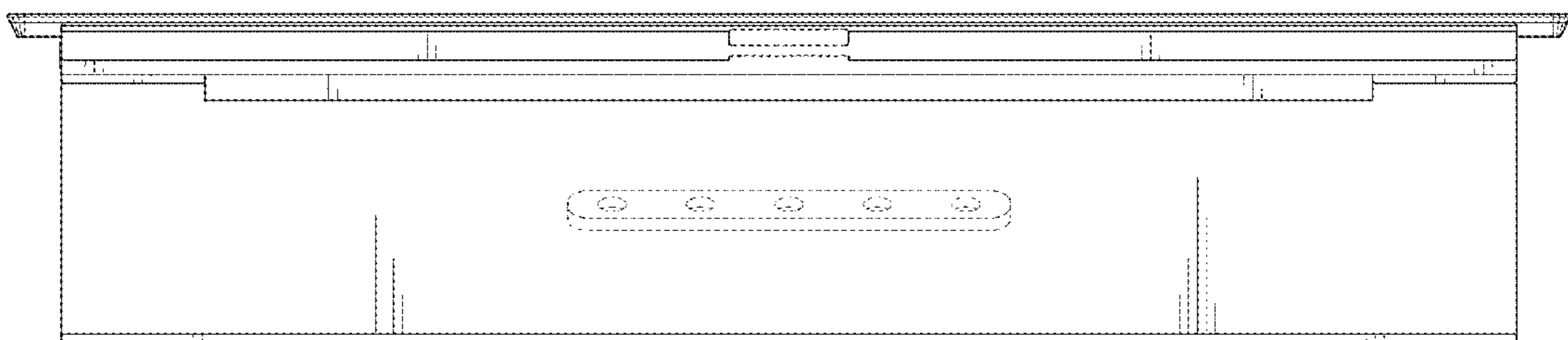


FIG. 8

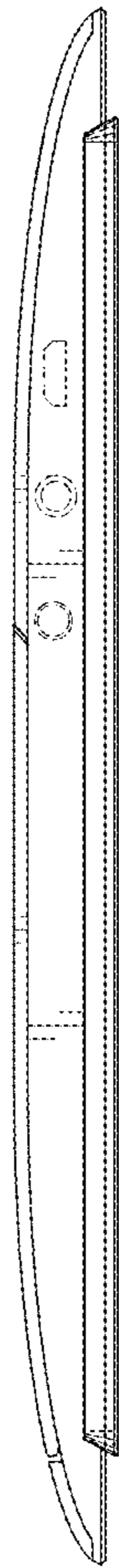


FIG. 9

