



US00D741314S

(12) **United States Design Patent**
Kwak et al.

(10) **Patent No.:** **US D741,314 S**
(45) **Date of Patent:** **** Oct. 20, 2015**

(54) **TELEPHONE CRADLE**

(56) **References Cited**

(71) Applicant: **Samsung Electronics Co., Ltd.**,
Suwon-si (KR)
(72) Inventors: **Ji-Hee Kwak**, Seoul (KR); **Ji-Hyun Moon**, Gwangmyeong-si (KR); **So-Yoon Jeon**, Guri-si (KR)

U.S. PATENT DOCUMENTS

D284,005	S	*	5/1986	Isaacs	D14/251
D295,408	S	*	4/1988	Boykiw	D14/149
D304,726	S	*	11/1989	Brooks et al.	D14/149
D316,416	S	*	4/1991	Cant et al.	D14/252
D362,565	S	*	9/1995	Tubbs et al.	D6/310
D363,721	S	*	10/1995	Lum et al.	D14/226
D412,162	S	*	7/1999	Tal et al.	D14/447

(73) Assignee: **Samsung Electronics Co., Ltd.**,
Suwon-si (KR)

(Continued)

(**) Term: **14 Years**

Primary Examiner — Susan Bennett Hattan

Assistant Examiner — Marie Fast Horse

(21) Appl. No.: **29/490,495**

(74) *Attorney, Agent, or Firm* — NSIP Law

(22) Filed: **May 9, 2014**

(57) **CLAIM**

We claim the ornamental design for a telephone cradle, as shown and described.

(30) **Foreign Application Priority Data**

DESCRIPTION

Dec. 9, 2013 (KR) 30-2013-0062128

(51) **LOC (10) Cl.** **14-03**

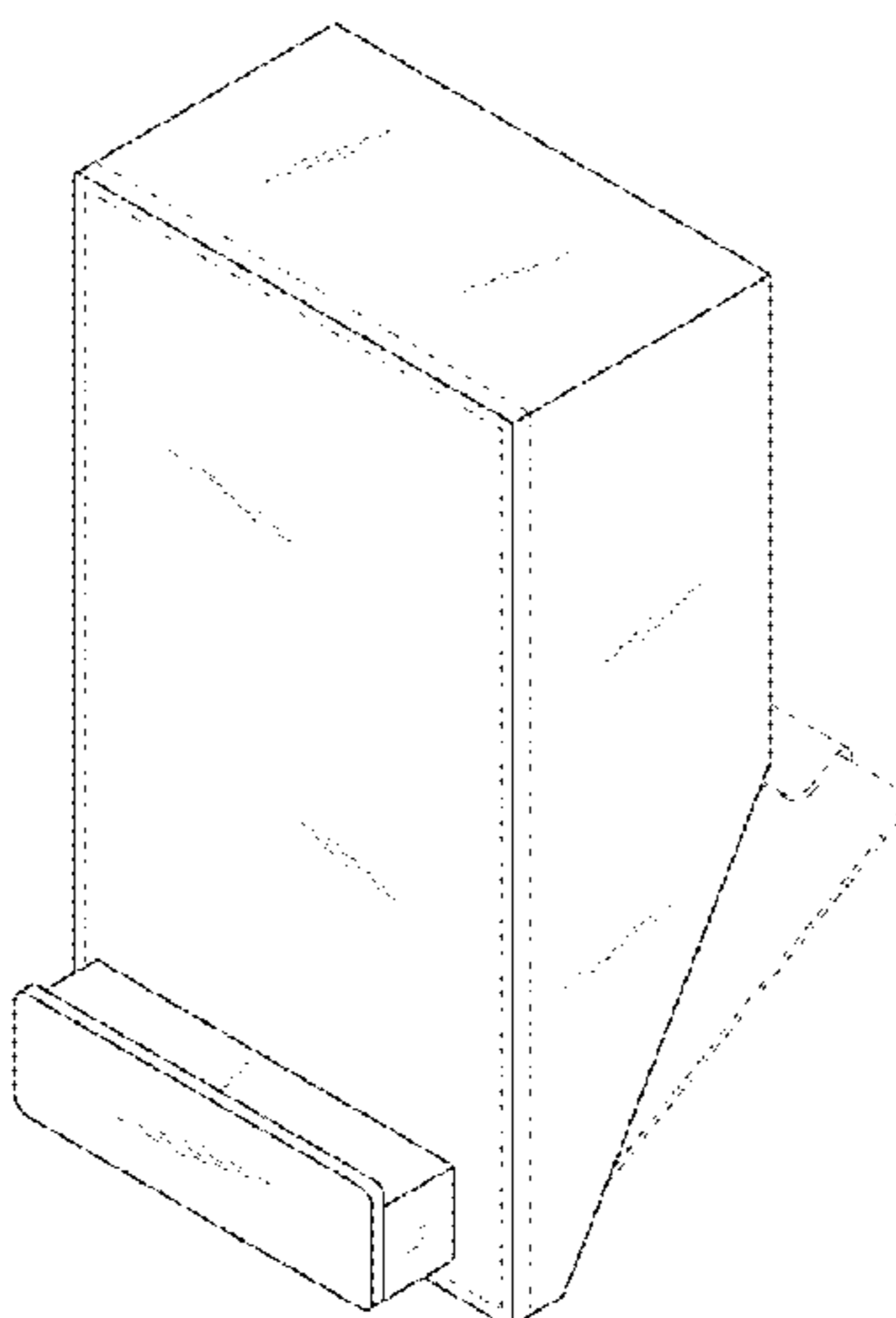
(52) **U.S. Cl.**
USPC **D14/253**

(58) **Field of Classification Search**
USPC D14/251–253, 151, 130, 140.8, 140.9,
D14/142, 144, 149, 150, 155, 158, 159, 217,
D14/226, 229, 240, 307, 336, 399, 329,
D14/434; D21/517; D13/107, 108, 168;
D10/1–4, 15, 23–27, 65; D8/349;
D6/303, 310, 376, 377; 379/88.17,
379/90.01, 93.17, 93.23, 387.01, 388.02,
379/419–420.04, 420.02, 428.01–428.04,
379/434–436, 440, 446–447, 454–455;
455/575.1; D19/86–88, 90, 91, 95
CPC H04M 1/00; H04M 1/04; H04M 1/06;
H04M 1/11; F16M 11/04; F16M 11/041

See application file for complete search history.

FIG. 1 is a front perspective view of a telephone cradle showing our new design;
FIG. 2 is a front view thereof;
FIG. 3 is a rear view thereof;
FIG. 4 is a left-side view thereof;
FIG. 5 is a right-side view thereof;
FIG. 6 is a top view thereof;
FIG. 7 is a bottom view thereof;
FIG. 8 is another front view thereof, in which a telephone and portable terminal in broken lines are provided to illustrate environmental subject matter;
FIG. 9 is another right-side view of FIG. 5, in which the telephone cradle is provided in an alternate position;
FIG. 10 is another right-side view thereof, in which the telephone cradle is provided in an alternate position;
FIG. 11 is another right-side view thereof, in which the telephone cradle is provided in an alternate position; and,
FIG. 12 is a rear perspective view of FIG. 1.
The broken lines in the figures depict portions of the telephone cradle that form no part of the claimed design.
The broken line showing of the telephone and portable terminal in FIG. 8 is for environmental purposes only and forms no part of the claimed design.

1 Claim, 8 Drawing Sheets



(56)

References Cited

U.S. PATENT DOCUMENTS

D453,155	S *	1/2002	Michel	D14/253
6,513,779	B2 *	2/2003	Halpin	248/451
D472,900	S *	4/2003	Matsumoto	D14/447
D507,526	S *	7/2005	Ohta	D13/108
D553,106	S *	10/2007	Griffin	D14/434
D555,630	S *	11/2007	Udagawa et al.	D14/151
D556,180	S *	11/2007	Udagawa et al.	D14/151
D557,693	S *	12/2007	Kim et al.	D14/251
D569,371	S *	5/2008	Staros et al.	D14/217
D577,710	S *	9/2008	Joseph	D14/204
D583,356	S *	12/2008	Schul et al.	D14/168
D590,369	S *	4/2009	Gonser et al.	D14/149
D593,988	S *	6/2009	Liu et al.	D14/149
D602,465	S *	10/2009	Mills et al.	D14/168
D611,451	S *	3/2010	Wang et al.	D14/209.1
D616,409	S *	5/2010	Townsend et al.	D14/149
D616,411	S *	5/2010	Garrett	D14/171
D620,921	S *	8/2010	Skurdal	D14/209.1
D642,519	S *	8/2011	Woo et al.	D13/108
D645,025	S *	9/2011	Poandl	D14/214
D645,840	S *	9/2011	Silvera	D14/171
D646,268	S *	10/2011	DeLorenzo et al.	D14/253
D647,505	S *	10/2011	Skurdal	D14/209.1
8,061,721	B2 *	11/2011	Ganz	280/35
D668,662	S *	10/2012	Suiter	D14/447
D669,026	S *	10/2012	Oda et al.	D13/107
D671,543	S *	11/2012	Sogabe	D14/447
D674,336	S *	1/2013	Suzuka et al.	D13/108
D674,338	S *	1/2013	Au Yeung	D13/108
D674,381	S *	1/2013	Ma	D14/253
D677,669	S *	3/2013	Liu	D14/447
D685,322	S *	7/2013	Szymanski et al.	D13/108
D688,235	S *	8/2013	Song	D14/253
D690,308	S *	9/2013	McCoy	D14/458
D699,246	S *	2/2014	Ringlein	D14/447
D712,369	S *	9/2014	Yoshida	D14/142
D714,793	S *	10/2014	Kim et al.	D14/447
D727,329	S *	4/2015	Johnson et al.	D14/434
2006/0121953	A1 *	6/2006	Park et al.	455/573
2011/0103002	A1 *	5/2011	Slaby et al.	361/679.41
2012/0074286	A1 *	3/2012	Chou	248/346.03
2012/0157003	A1 *	6/2012	Noma	455/67.11
2013/0027871	A1 *	1/2013	Cheng	361/679.41

* cited by examiner

FIG. 1

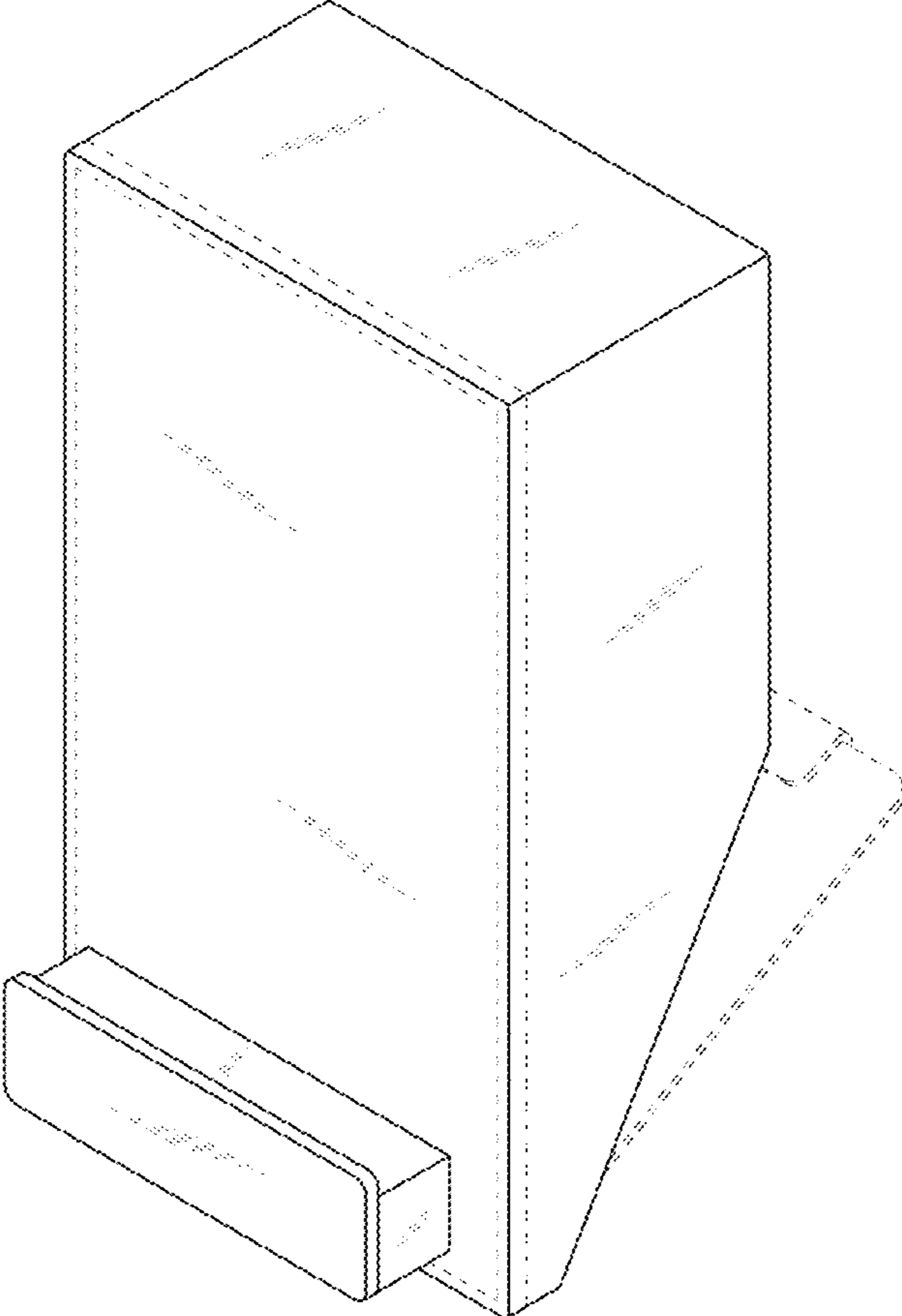


FIG.2

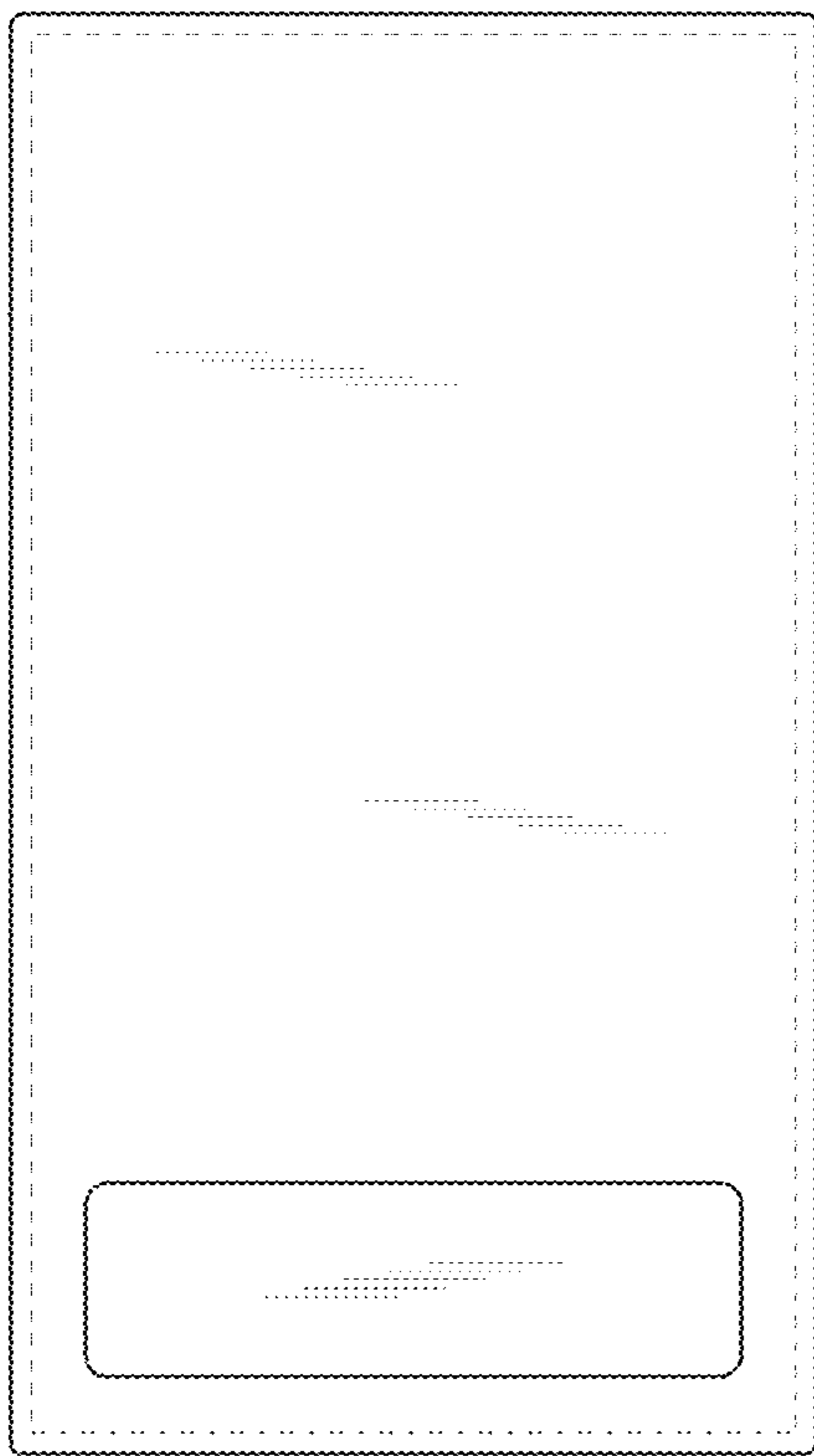


FIG.3

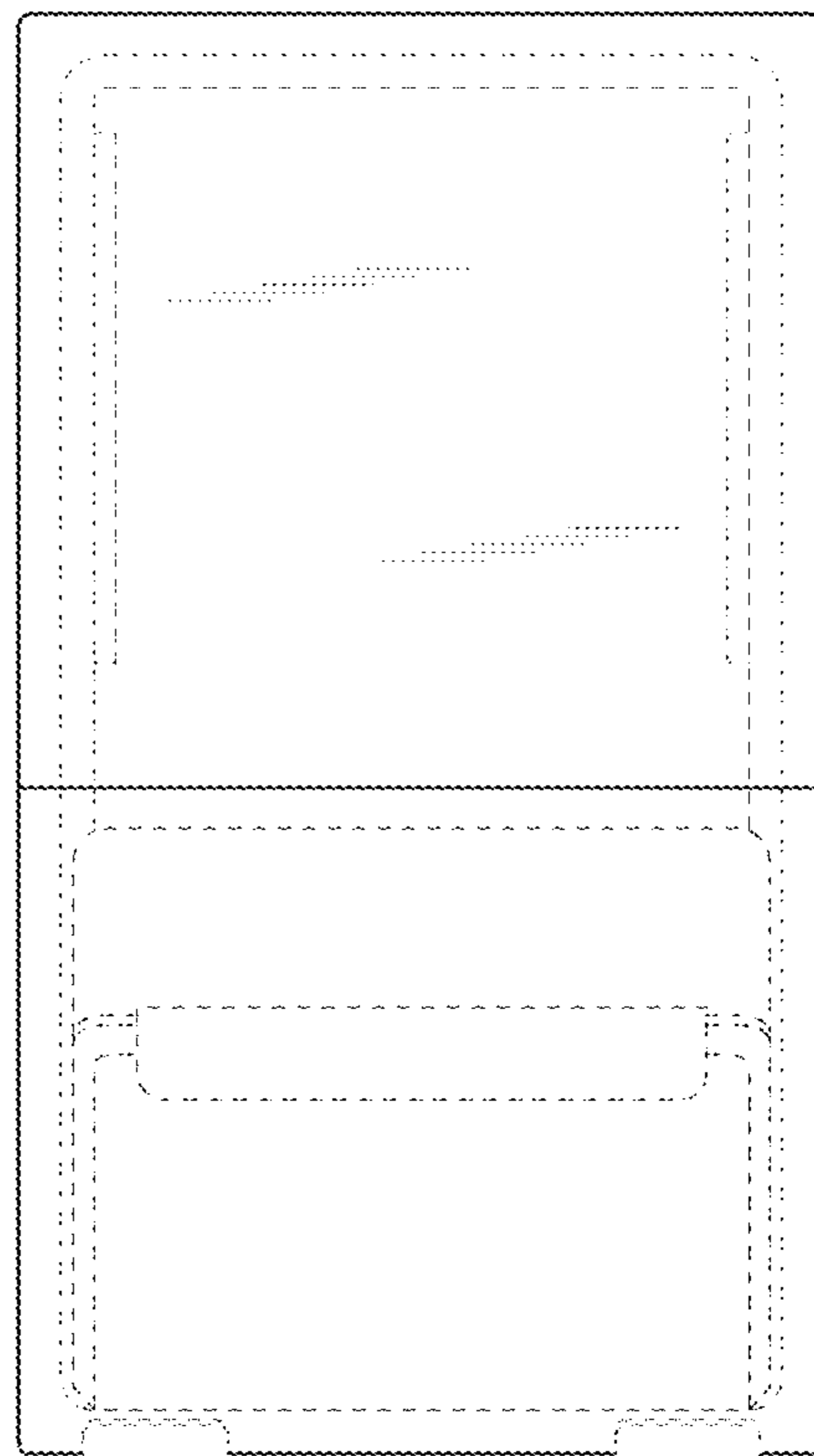


FIG.4

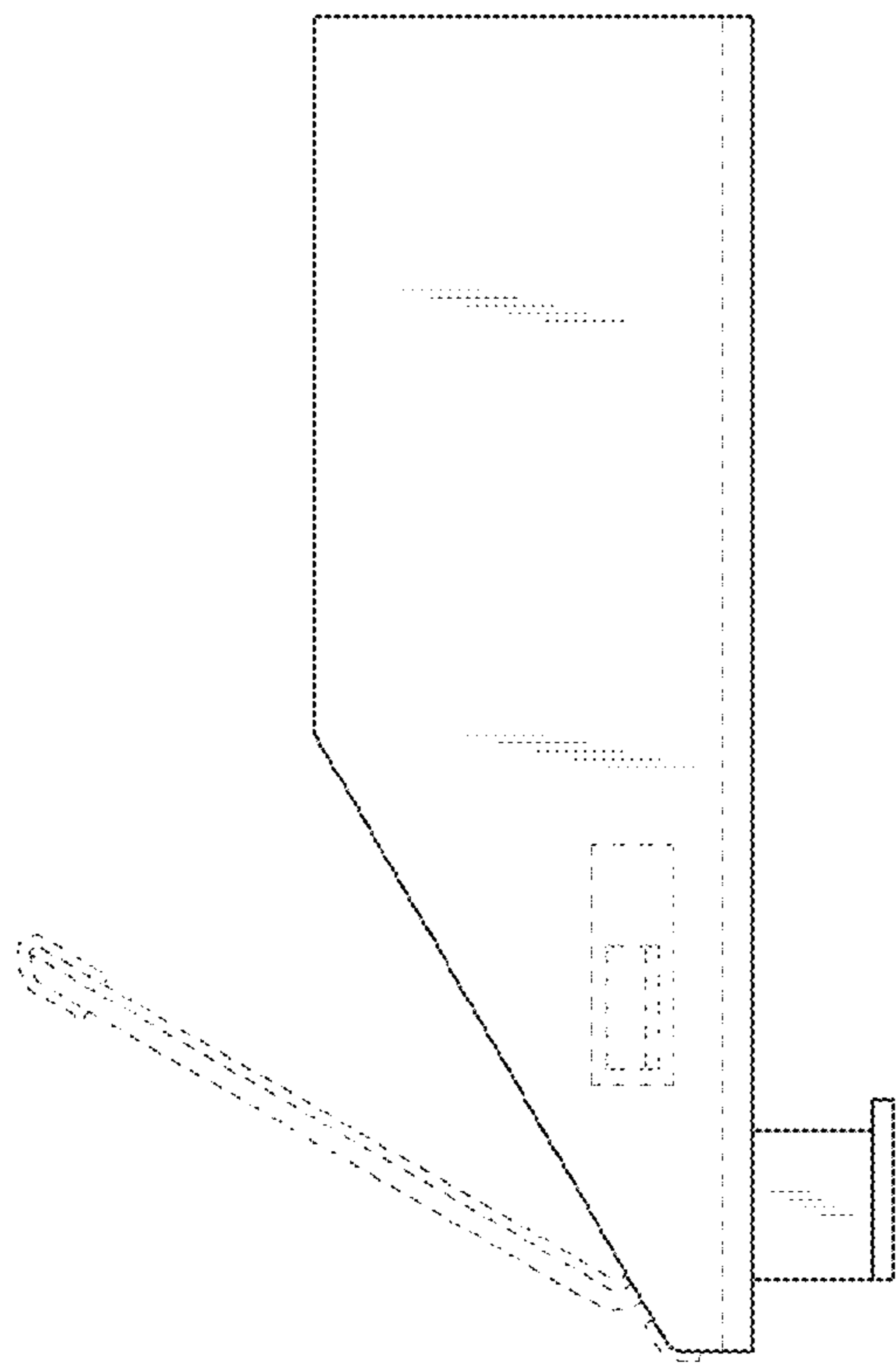


FIG.5

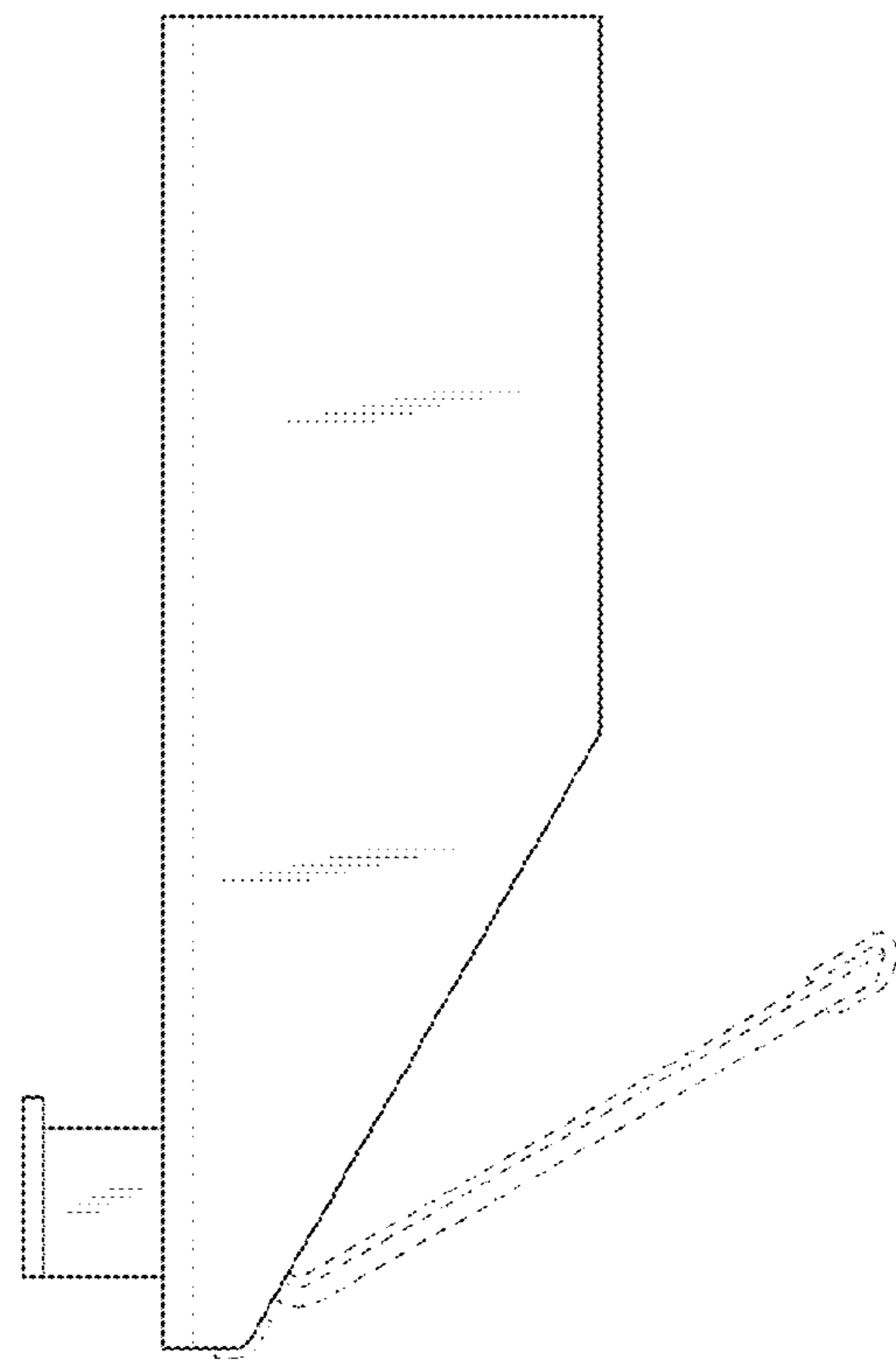


FIG.6

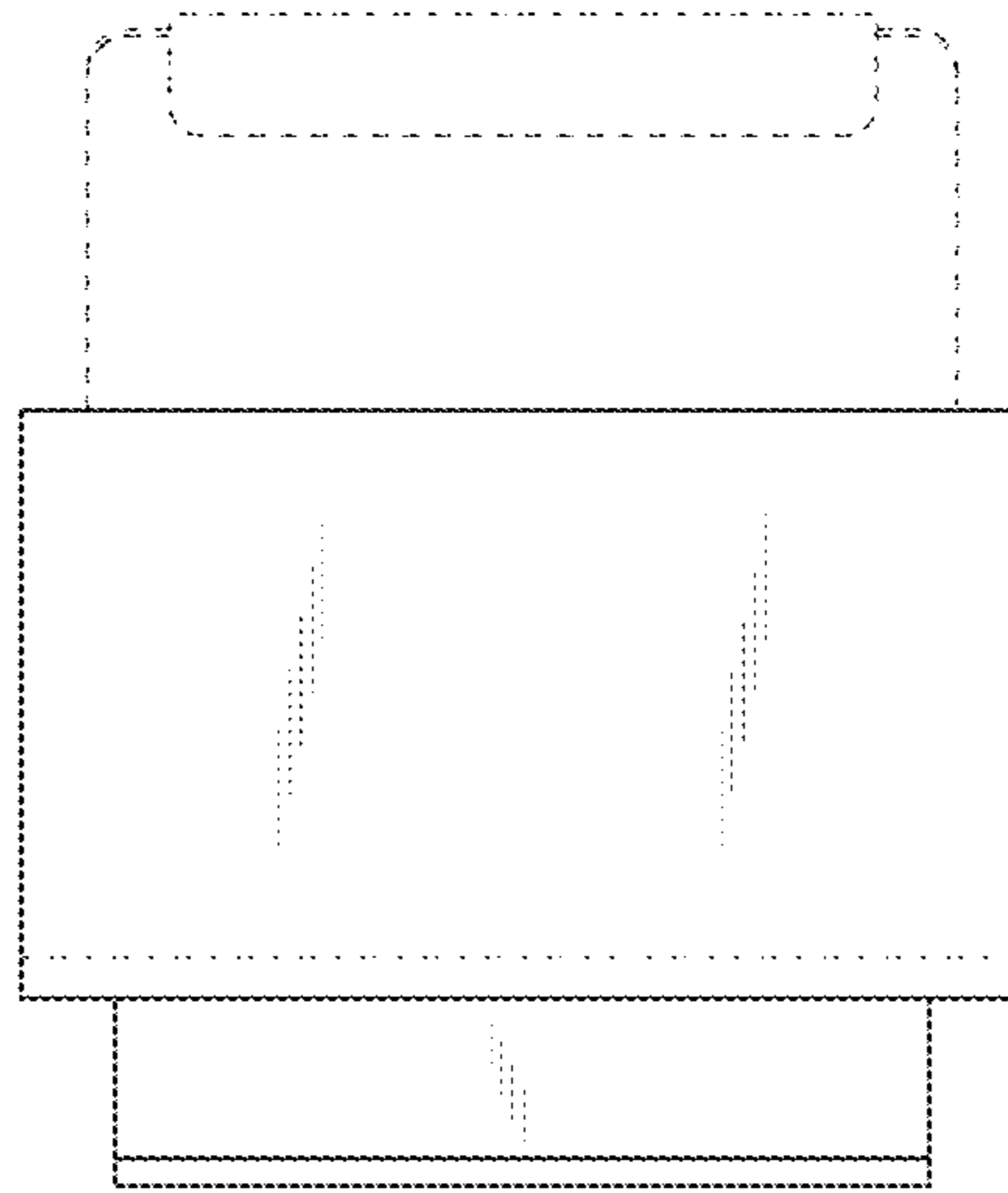


FIG.7

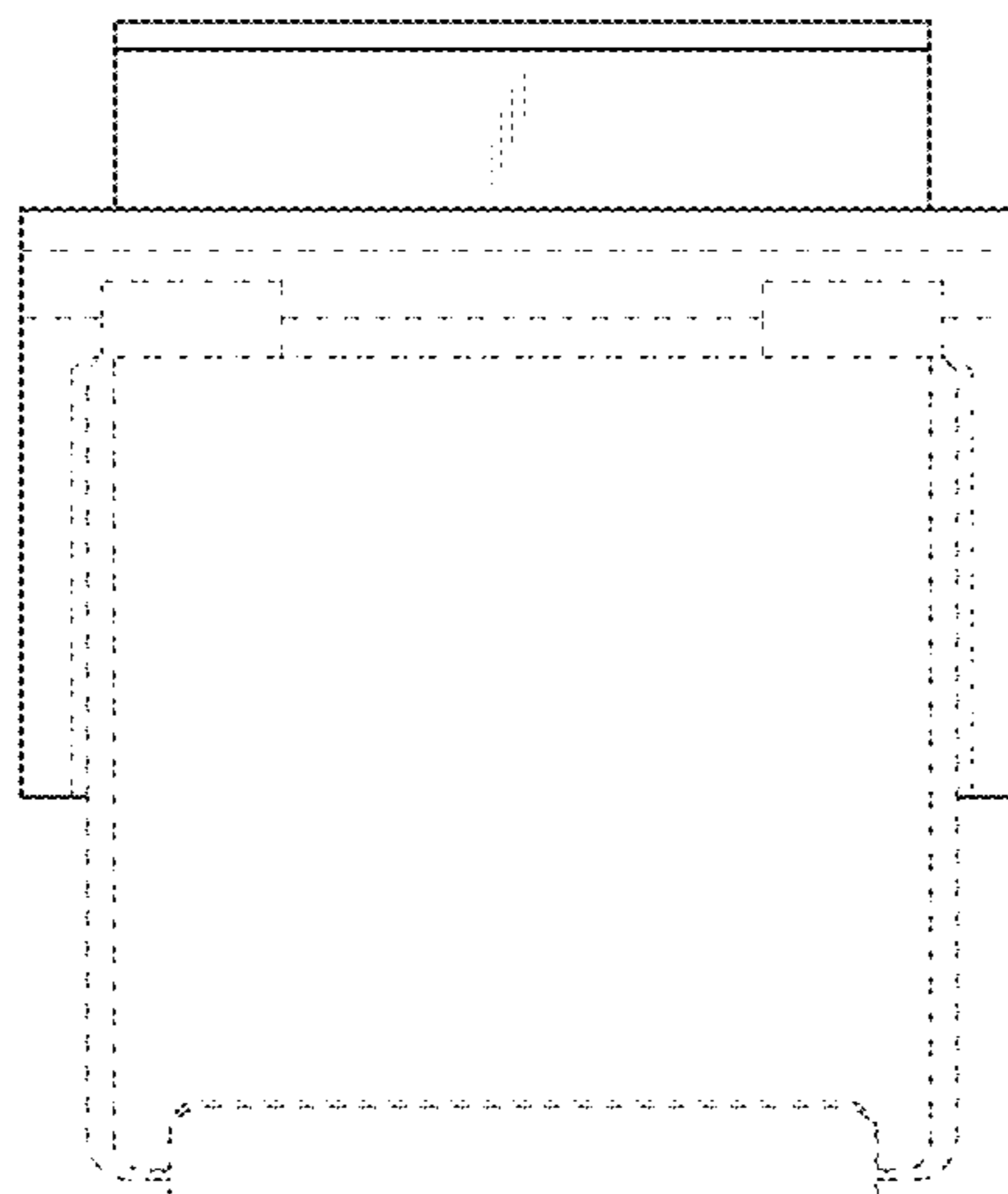


FIG.8

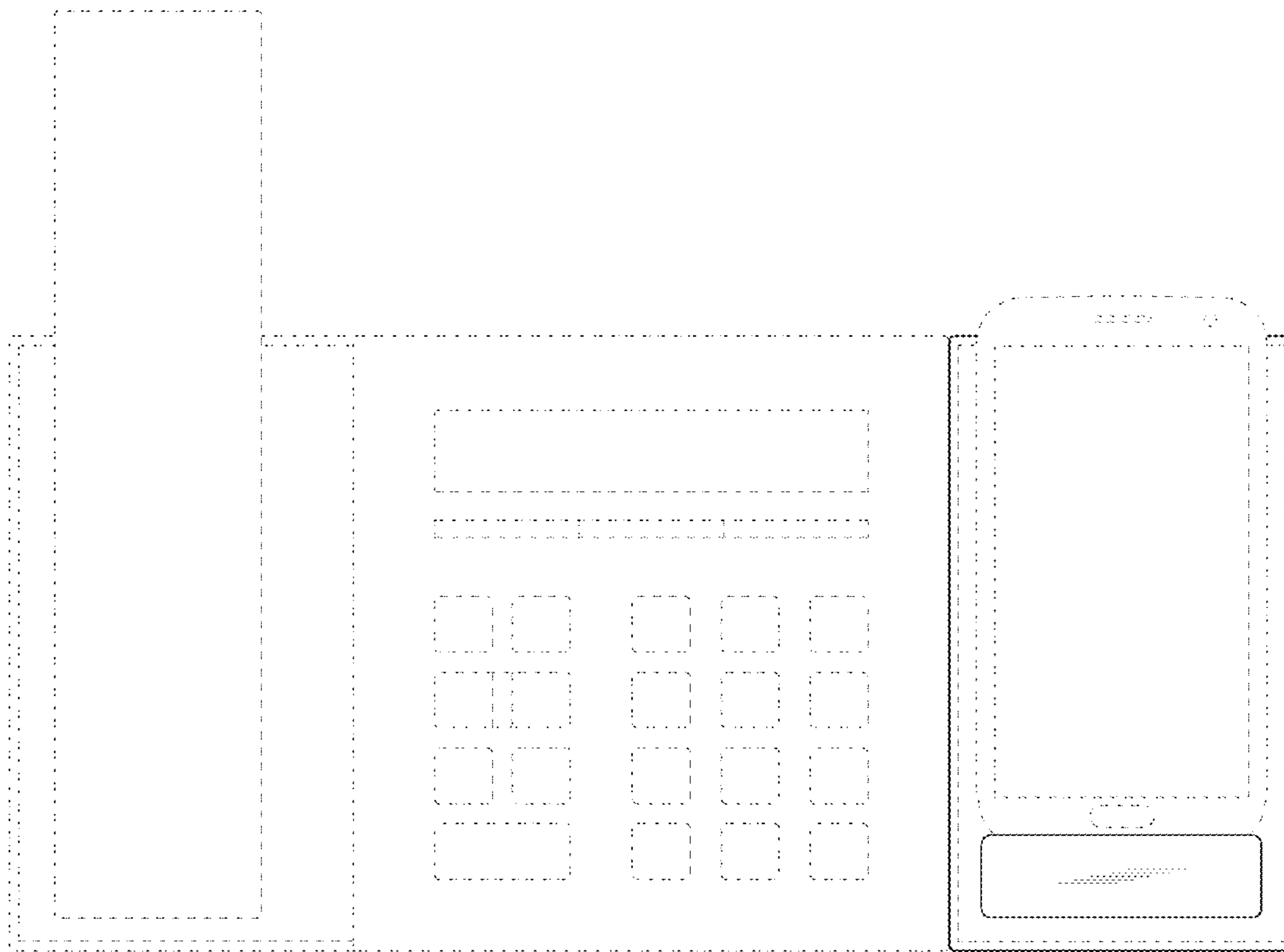


FIG.9

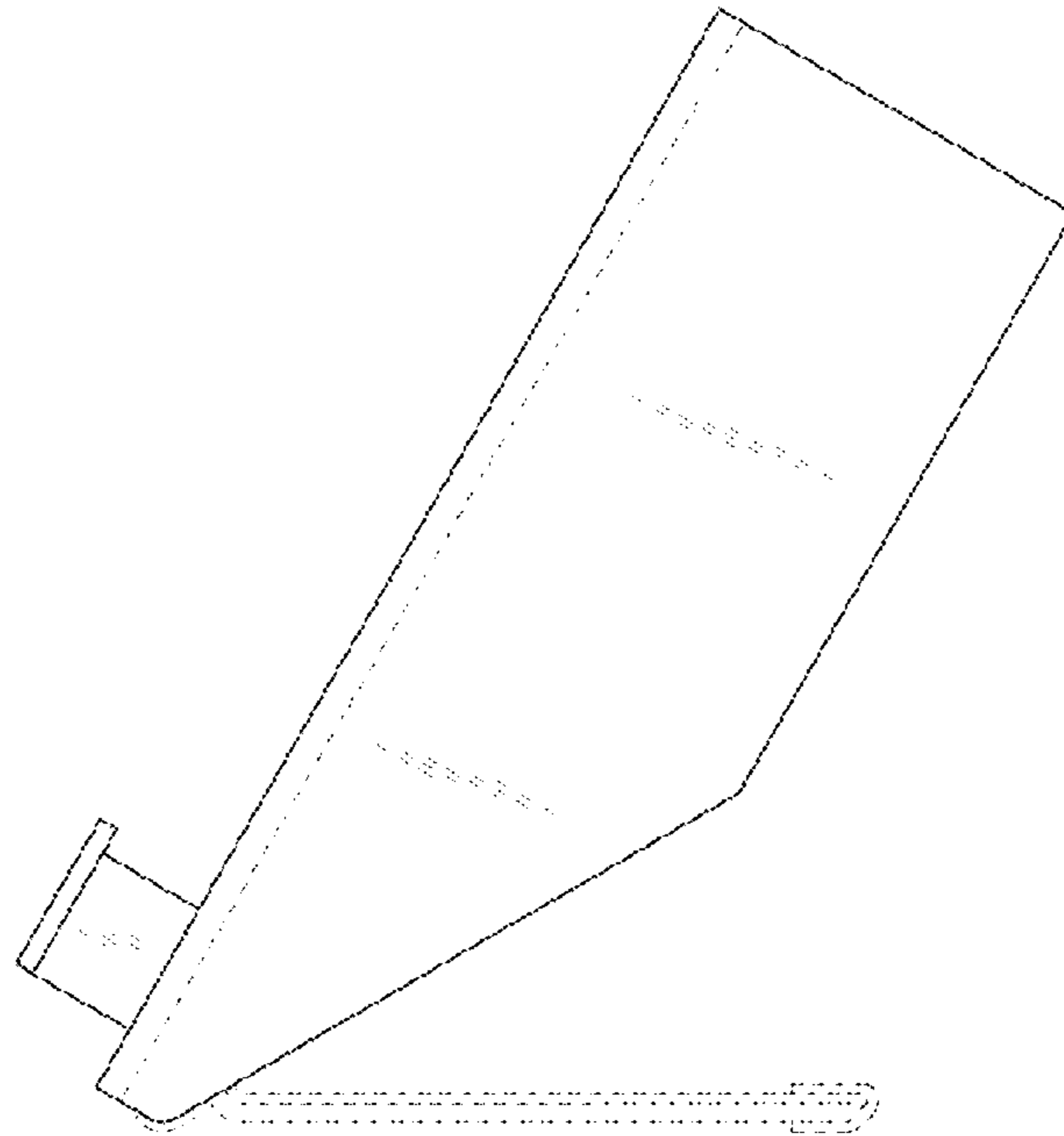


FIG.10

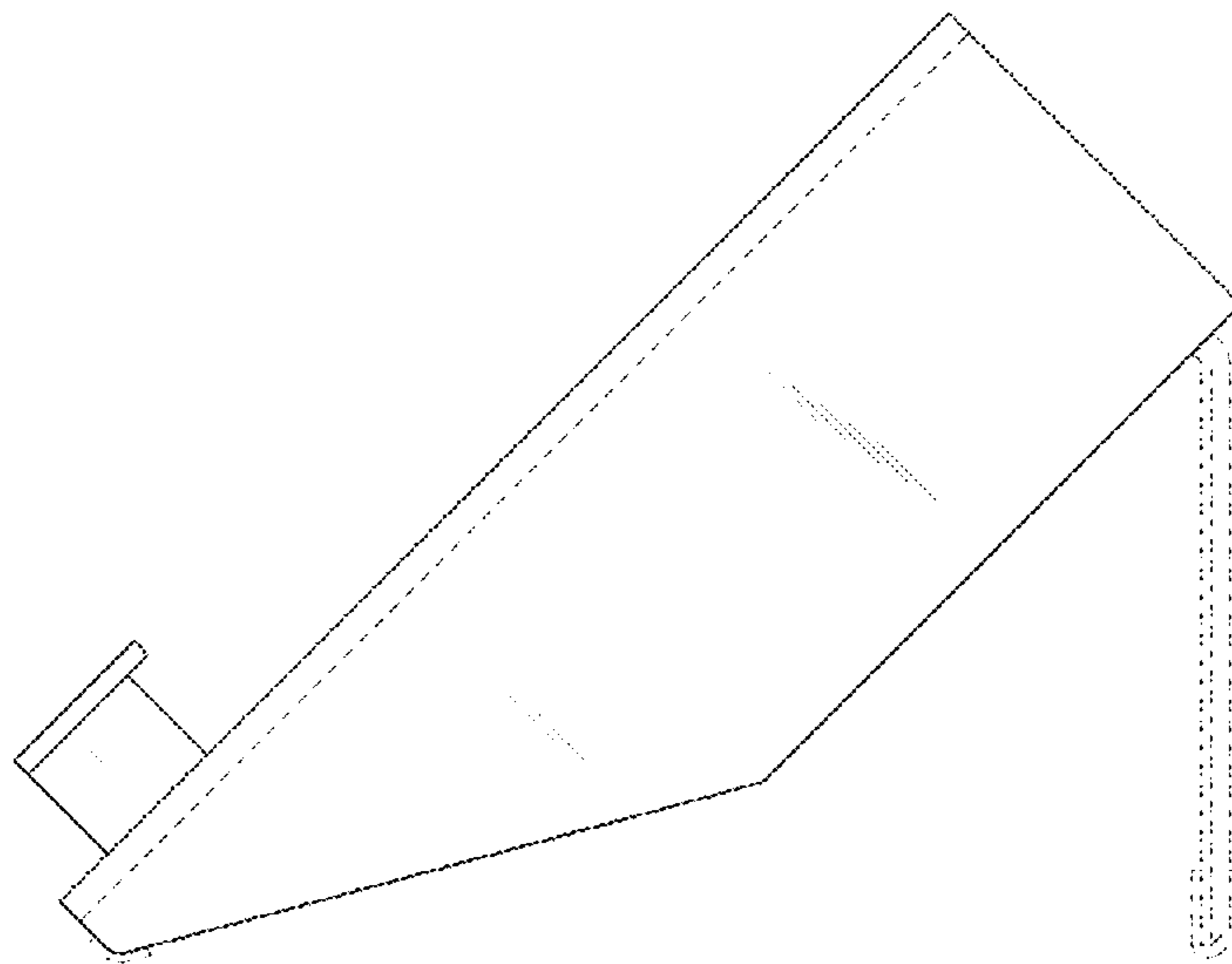


FIG.11

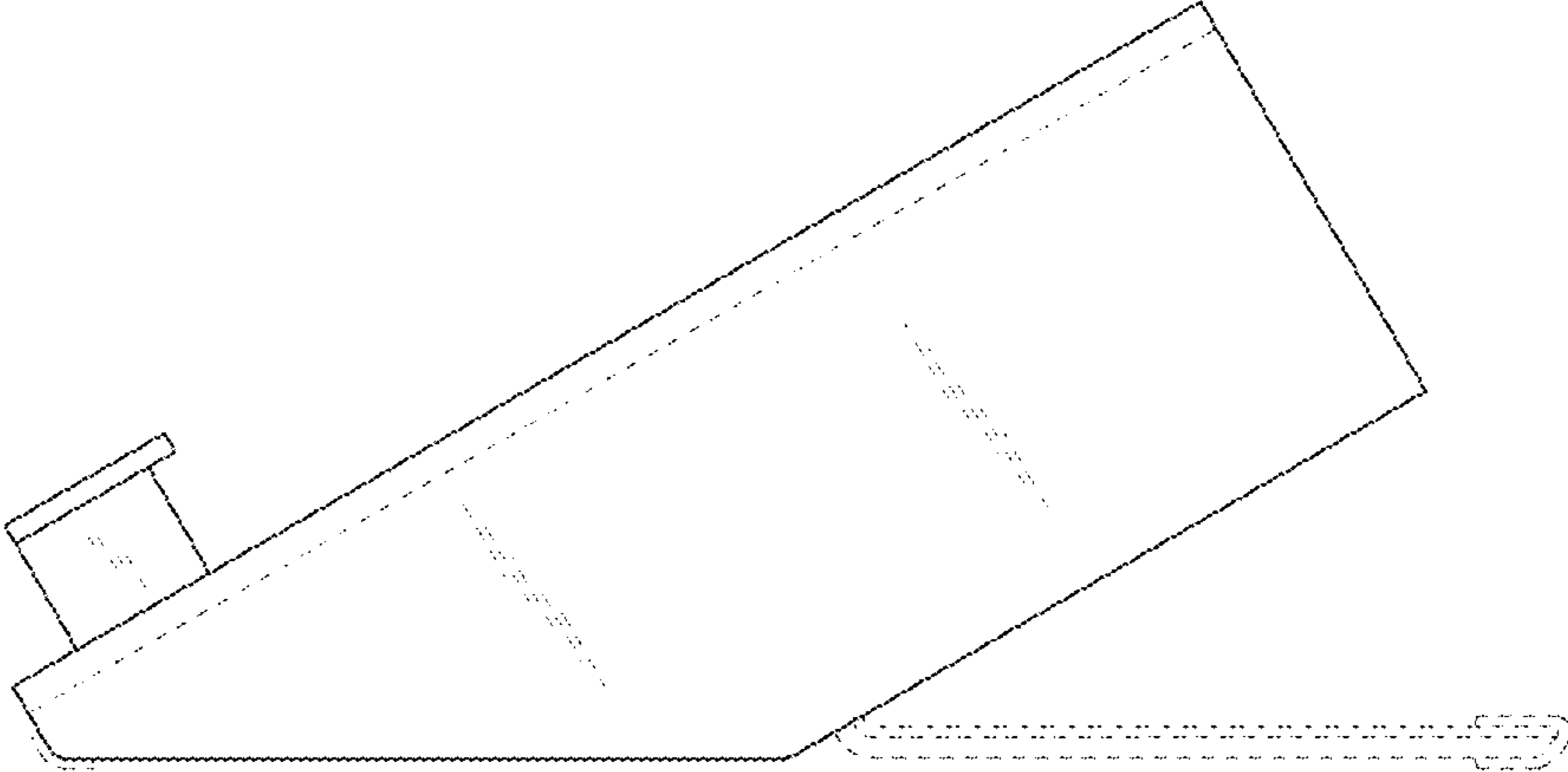


FIG. 12

