



US00D741300S

(12) **United States Design Patent**  
**Yohai-Giochais**

(10) **Patent No.:** **US D741,300 S**

(45) **Date of Patent:** **\*\* Oct. 20, 2015**

(54) **INFRARED EMITTER WITH WI-FI**

(71) Applicant: **Leon Yohai-Giochais**, Piraeus (GR)

(72) Inventor: **Leon Yohai-Giochais**, Piraeus (GR)

(\*\*) Term: **14 Years**

(21) Appl. No.: **29/450,935**

(22) Filed: **Mar. 26, 2013**

(51) **LOC (10) Cl.** ..... **14-03**

(52) **U.S. Cl.**  
USPC ..... **D14/230**

(58) **Field of Classification Search**  
USPC ..... D14/230–238, 299, 358, 356, 240, 242;  
343/700 R, 840, 841, 908; 455/3.02,  
455/FOR. 215, 575.2

See application file for complete search history.

(56) **References Cited**

**U.S. PATENT DOCUMENTS**

2,016,011	A	*	10/1935	Kent	.....	52/292
D210,884	S	*	4/1968	Rogers	.....	D14/234
D266,343	S	*	9/1982	Hilko	.....	D21/550
D293,672	S	*	1/1988	Redaelli	.....	D14/230
D329,240	S	*	9/1992	Cooper	.....	D14/230

5,844,529	A	*	12/1998	Bell et al.	.....	343/872
D404,735	S	*	1/1999	Thomas et al.	.....	D14/230
D643,025	S	*	8/2011	Podduturi	.....	D14/230
D710,834	S	*	8/2014	Jeon et al.	.....	D14/230
D718,749	S	*	12/2014	Huang	.....	D14/230

\* cited by examiner

*Primary Examiner* — John Windmuller

(74) *Attorney, Agent, or Firm* — The Law Office of Michael E. Kondoudis

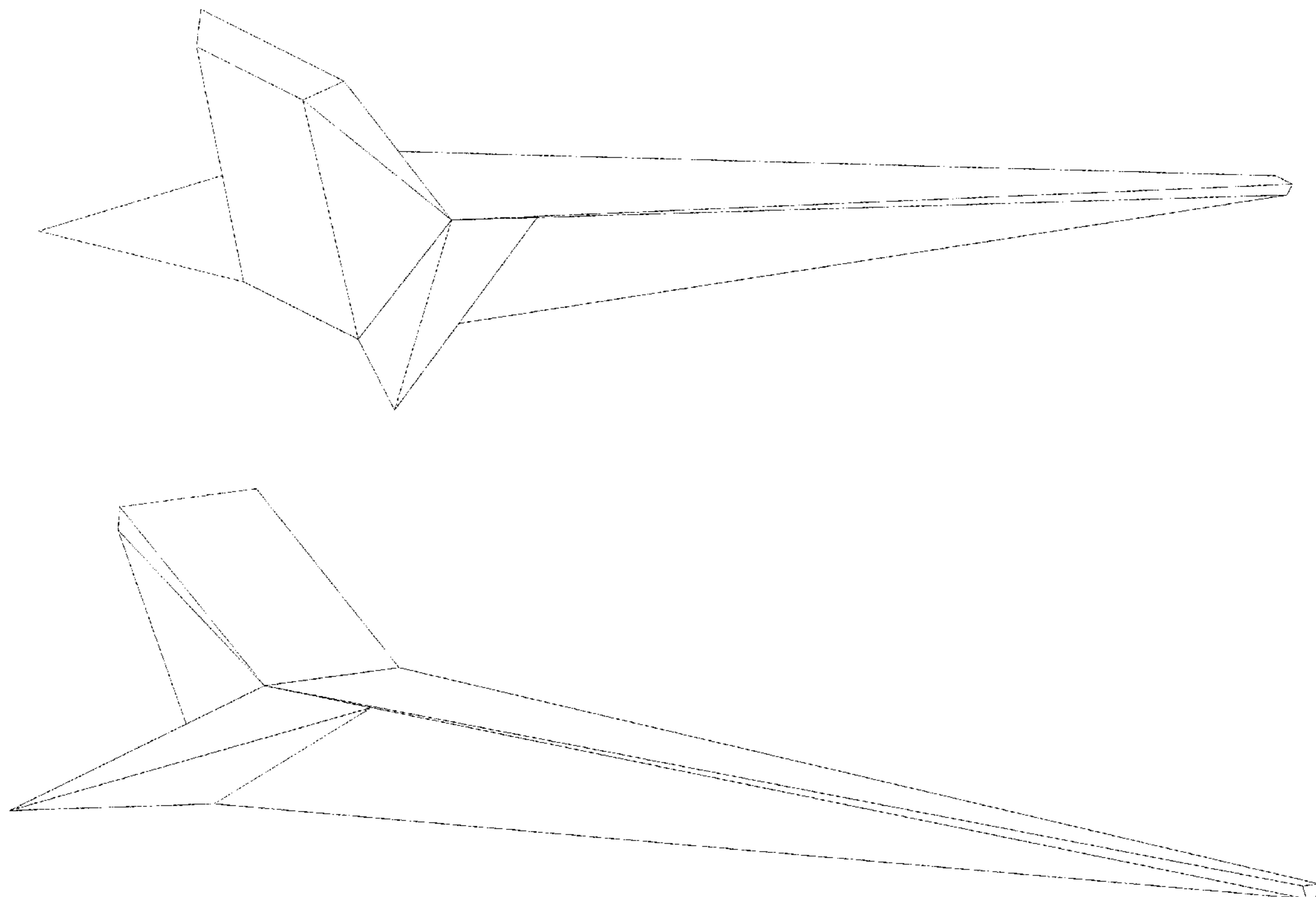
(57) **CLAIM**

The ornamental design for an infrared emitter with Wi-Fi, as shown and described.

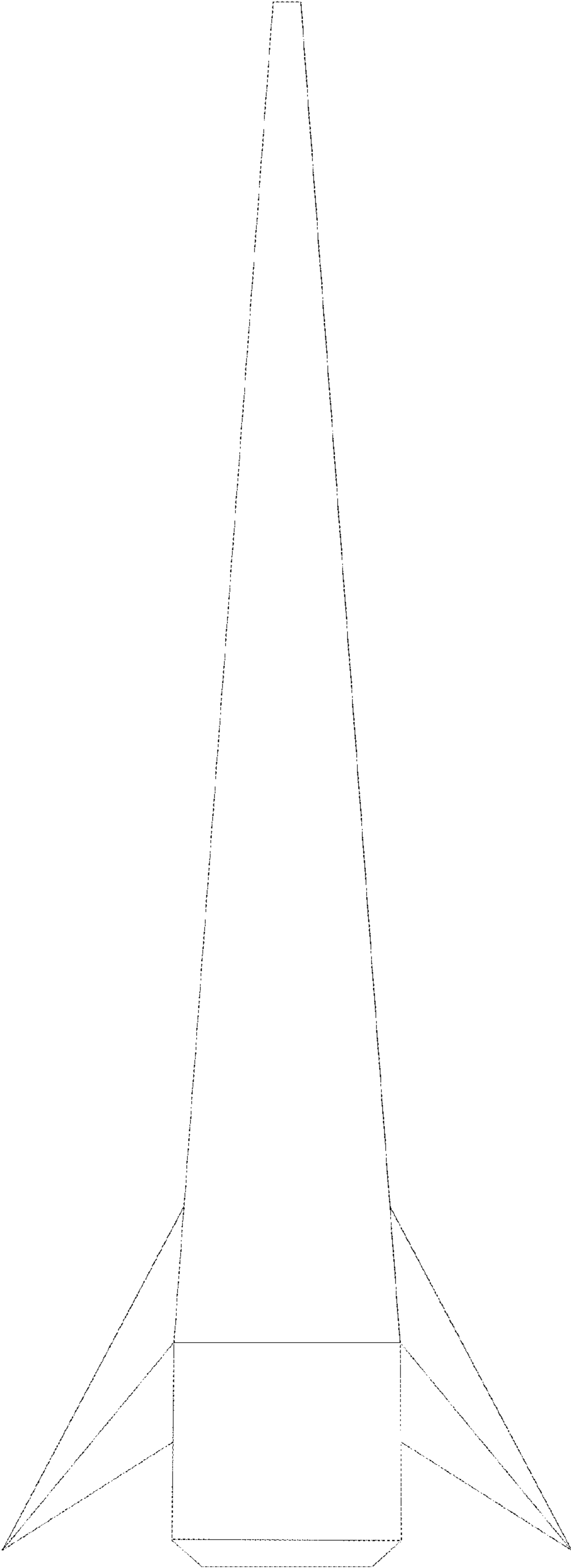
**DESCRIPTION**

FIG. 1 is a top view of an infrared emitter with Wi-Fi illustrating my new design;  
FIG. 2 is a bottom view thereof;  
FIG. 3 is a left view thereof;  
FIG. 4 is a right view thereof;  
FIG. 5 is a front view thereof;  
FIG. 6 is a rear view thereof;  
FIG. 7 is a front perspective view thereof; and,  
FIG. 8 is a rear perspective view thereof.

**1 Claim, 8 Drawing Sheets**



**Fig. 1**



**Fig. 2**

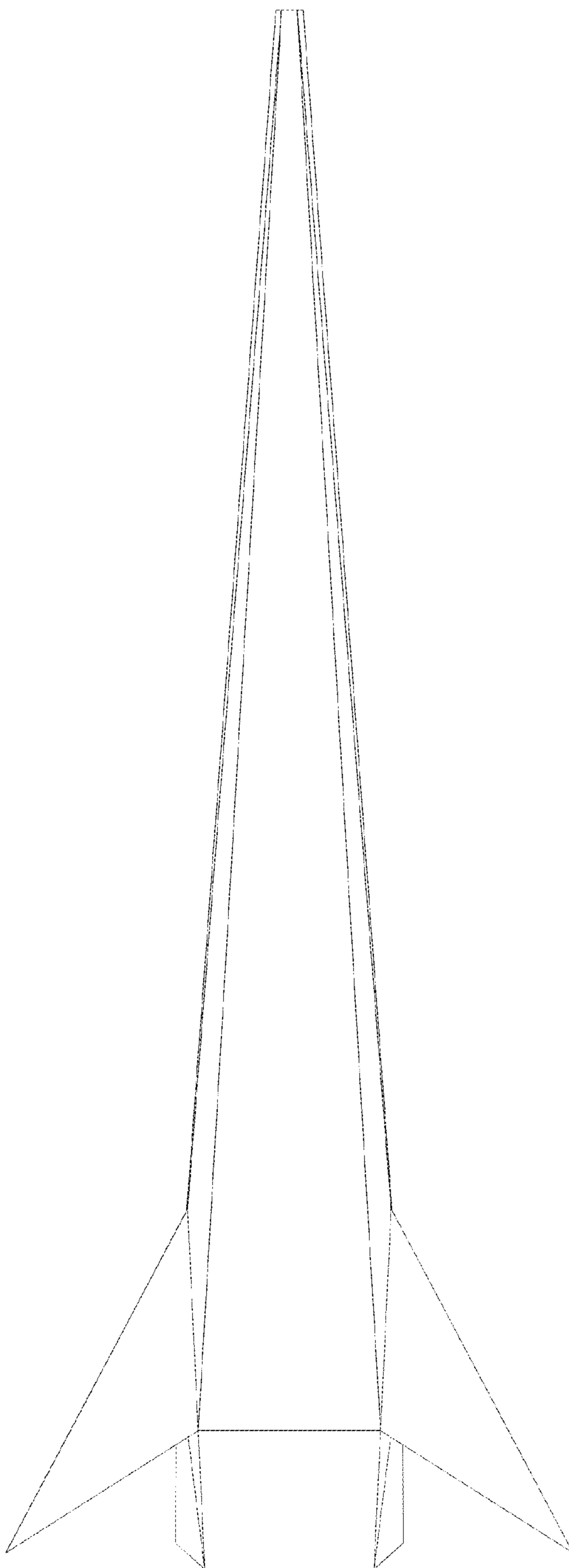
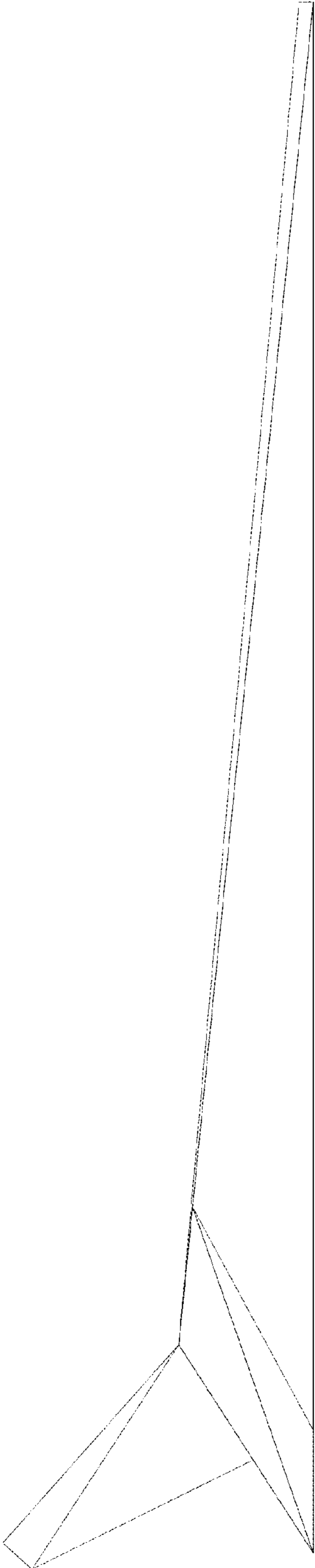


Fig. 3



**Fig. 4**

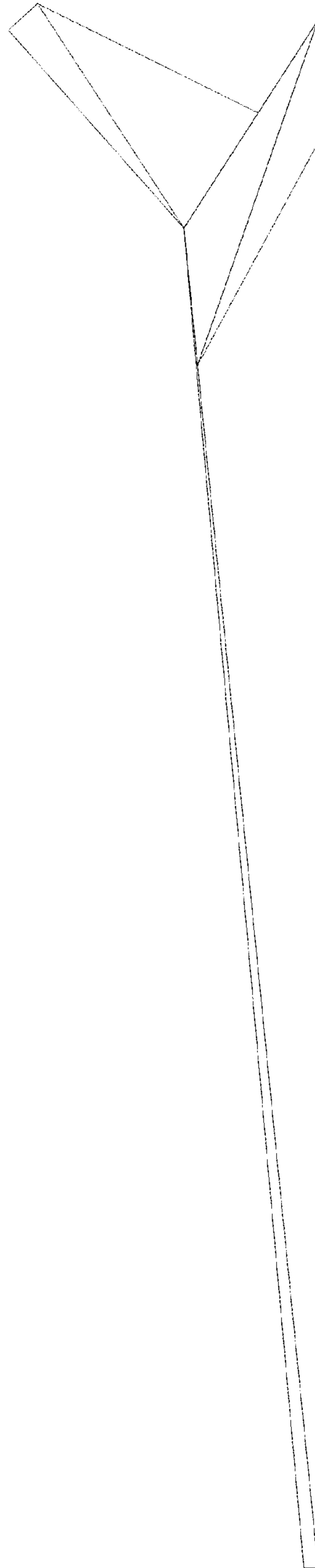
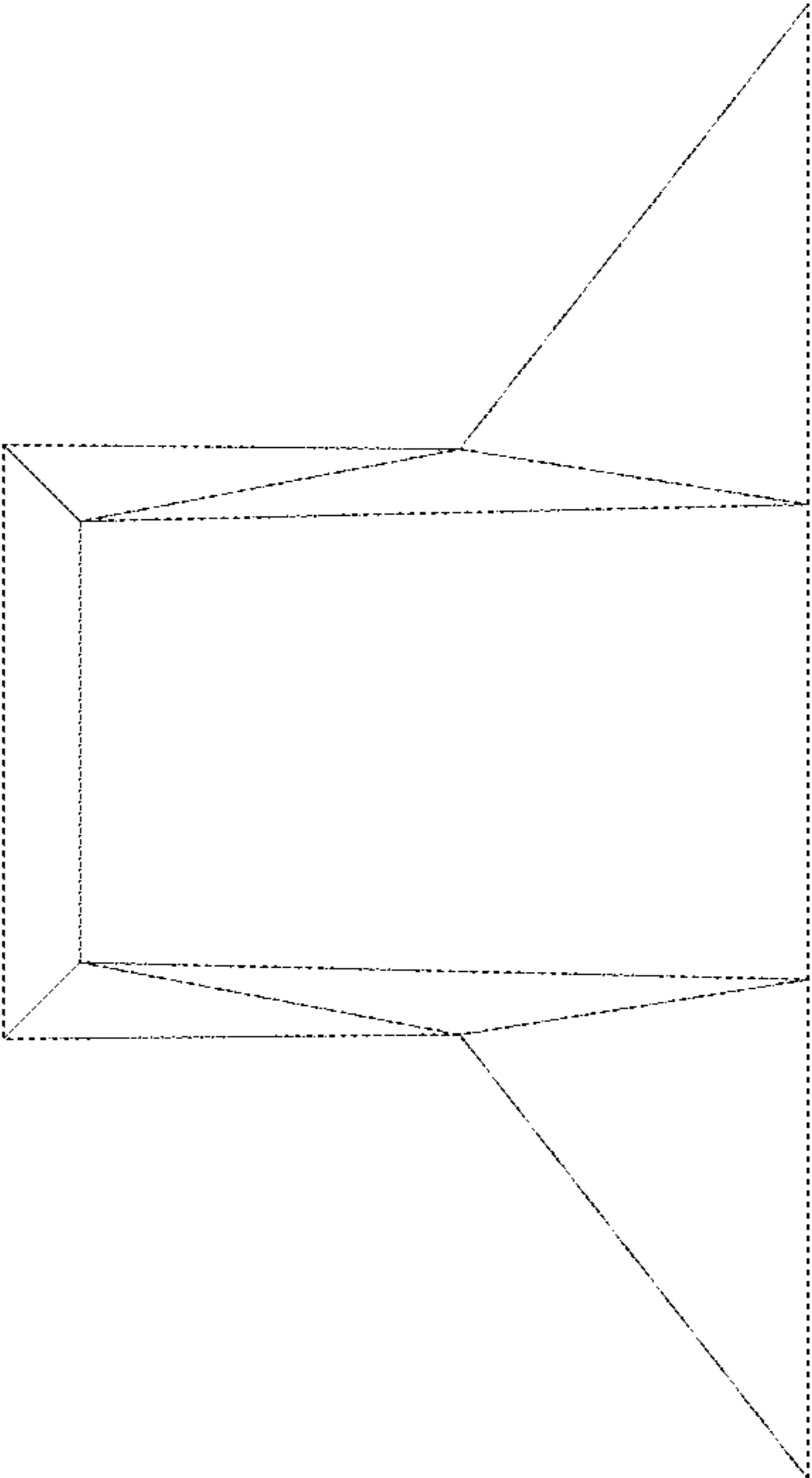
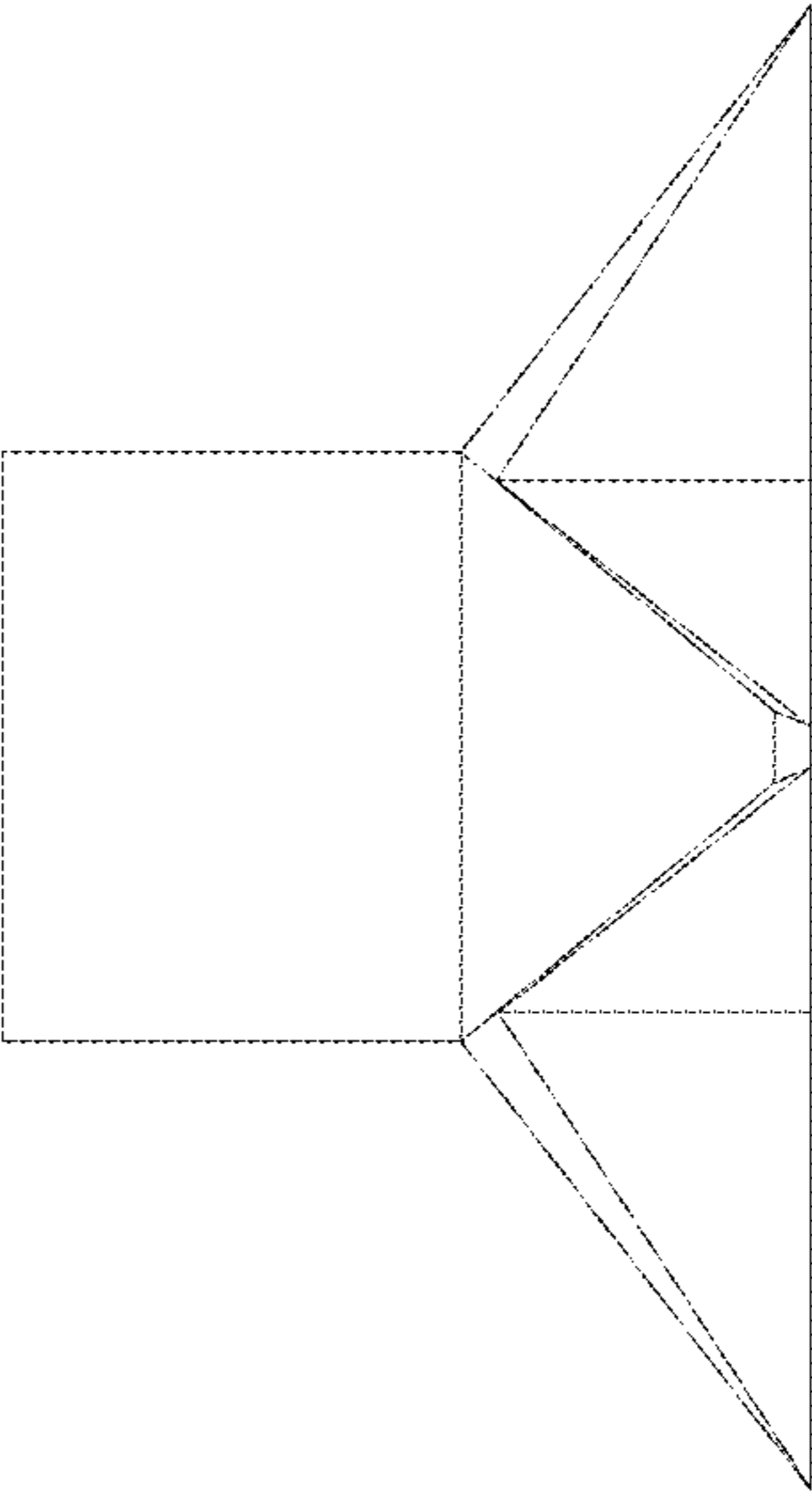


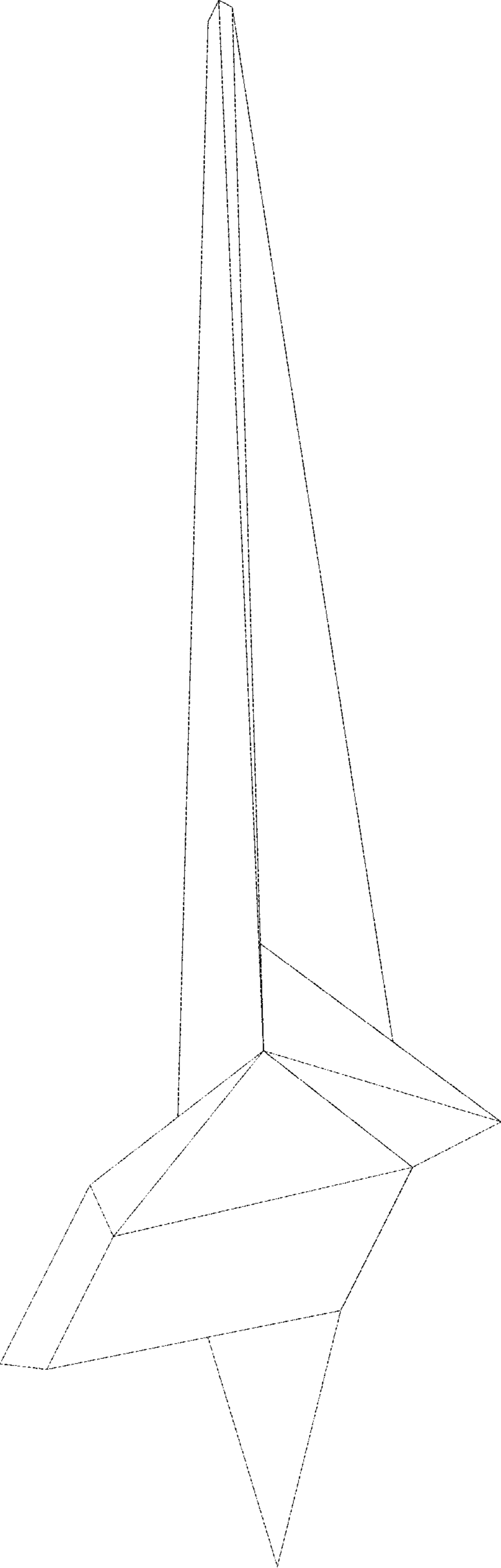
Fig. 5



**Fig. 6**



**Fig. 7**





**Fig. 8**

