



US00D741297S

(12) **United States Design Patent**
Xi

(10) **Patent No.:** **US D741,297 S**
(45) **Date of Patent:** **** Oct. 20, 2015**

(54) **WIRELESS SPEAKER**

(71) Applicant: **dreamGEAR, LLC**, Torrance, CA (US)

(72) Inventor: **Huang Xi**, Shenzhen (CN)

(73) Assignee: **DREAMGEAR, LLC**, Torrance, CA (US)

(**) Term: **14 Years**

(21) Appl. No.: **29/496,018**

(22) Filed: **Jul. 8, 2014**

(51) **LOC (10) Cl.** **14-03**

(52) **U.S. Cl.**
USPC **D14/216**

(58) **Field of Classification Search**
USPC D14/167, 168, 170–172, 188, 194–196, D14/204, 207, 209.1, 210–216, 219, 221, D14/222, 224, 496, 191, 192; 181/143, 144, 181/147, 148, 150, 153, 157, 198, 199; 381/300–303, 306, 332, 333, 336, 345, 381/361–364, 386–388; 369/6–12
CPC B60R 11/0217; G06F 1/1688; H04M 1/03; H04M 1/035; H04R 1/02; H04R 1/06; H04R 1/021; H04R 1/025; H04R 1/026; H04R 1/028; H04R 1/105; H04R 1/323; H04R 1/403; H04R 1/2803; H04R 1/2834; H04R 5/02; H04R 7/20; H04R 9/06; H04R 9/025; H04R 2201/021; H04R 2400/00; H04R 2400/07; H04R 2499/11; H04R 2499/13; H04R 2499/15; H04S 3/00; H04S 7/30

See application file for complete search history.

(56) **References Cited**

U.S. PATENT DOCUMENTS

D577,009 S *	9/2008	Wilson et al.	D14/225
D629,011 S *	12/2010	Lee	D14/496
D636,760 S *	4/2011	Cheng	D14/216
D643,407 S *	8/2011	Behringer et al.	D14/214
D644,202 S *	8/2011	Park et al.	D14/214
D706,742 S *	6/2014	Contello	D14/191
D726,687 S *	4/2015	Minarik et al.	D14/216

* cited by examiner

Primary Examiner — Keli L Hill

(74) *Attorney, Agent, or Firm* — Karish & Bjorgum, PC

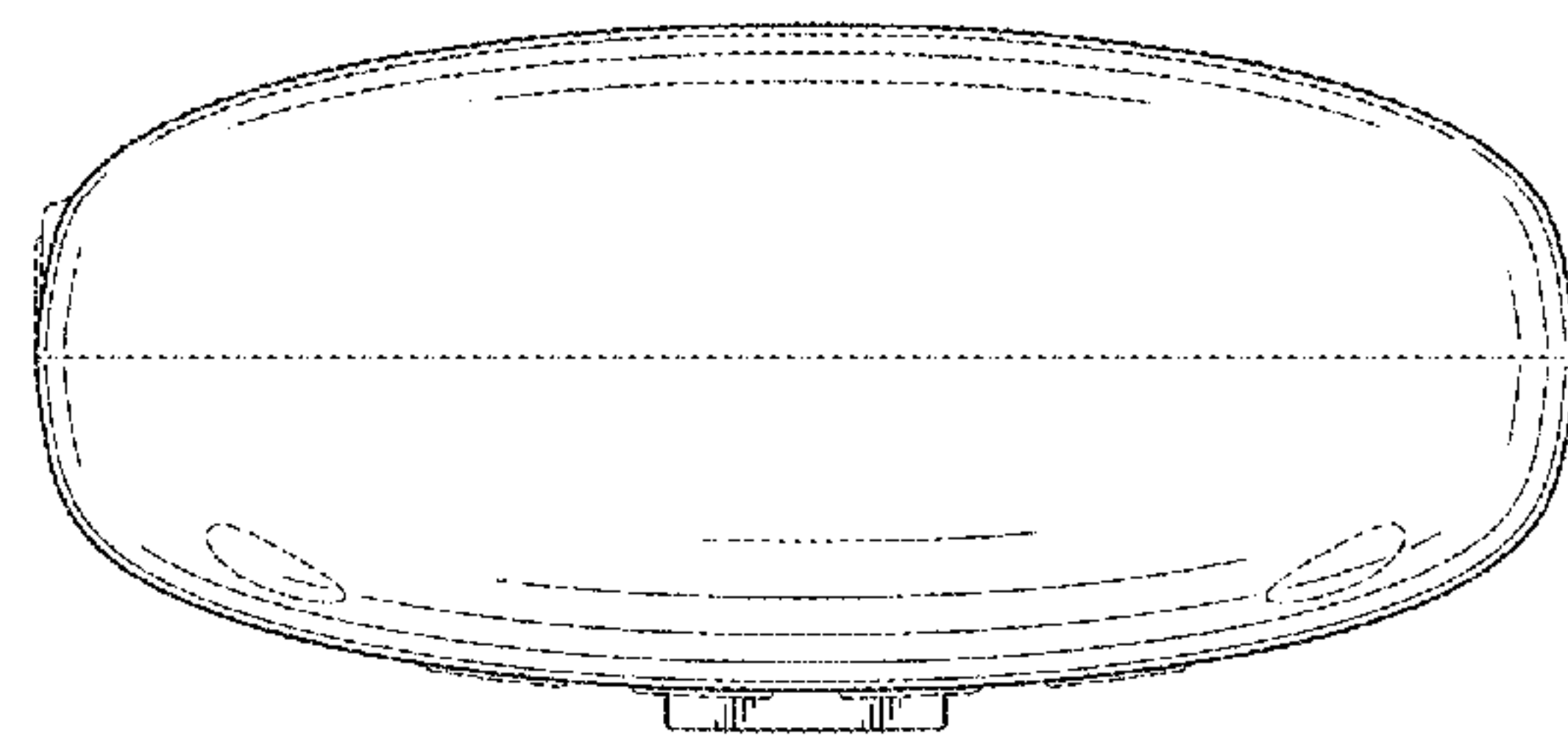
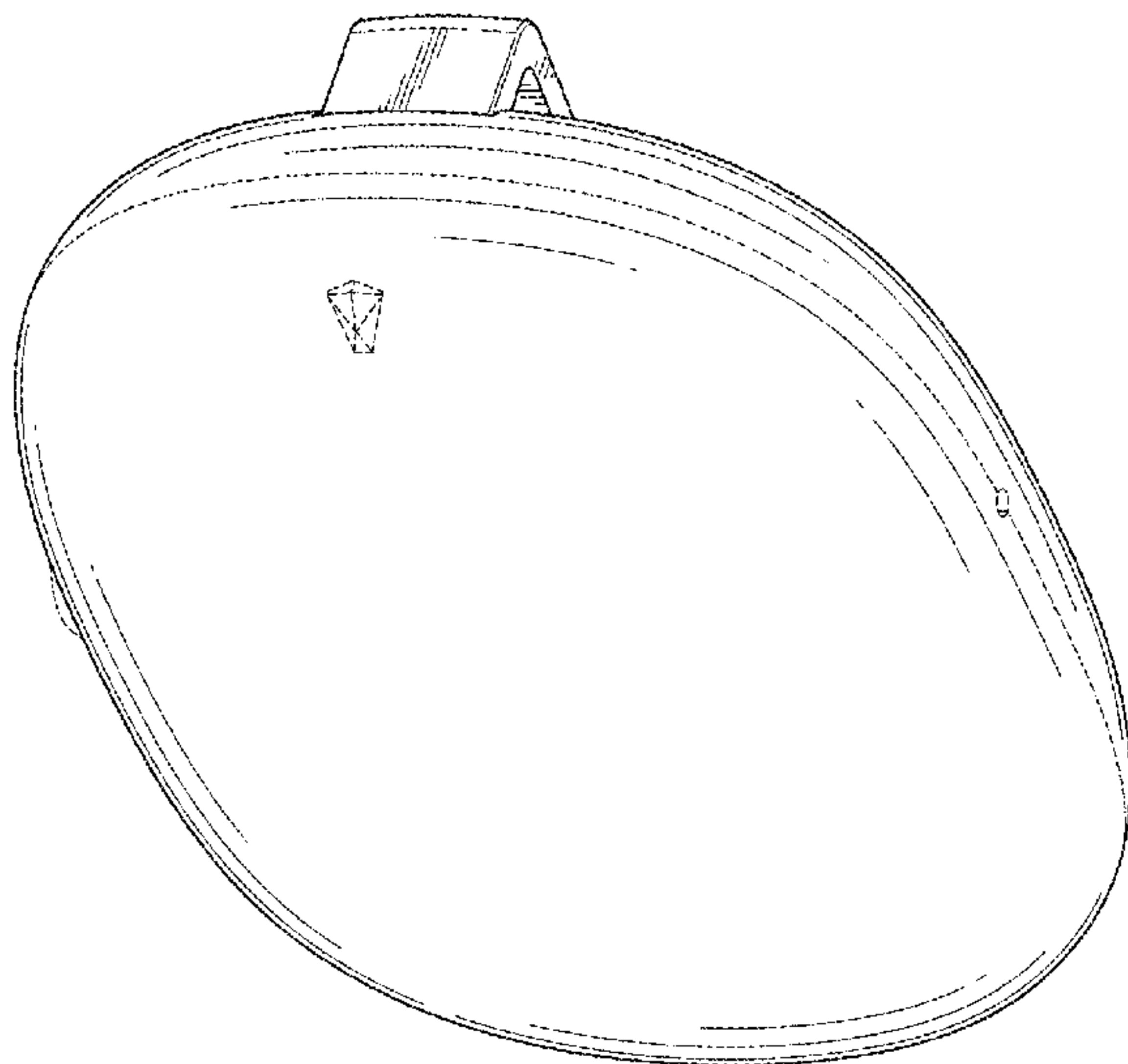
(57) **CLAIM**

The ornamental design for a wireless speaker, as shown and described.

DESCRIPTION

FIG. 1 is front top right isometric view of a wireless speaker of the invention.
FIG. 2 is a top view of the wireless speaker of FIG. 1.
FIG. 3 is a bottom view of the wireless speaker of FIG. 1.
FIG. 4 is left side view of the wireless speaker of FIG. 1.
FIG. 5 is right side view of the wireless speaker of FIG. 1.
FIG. 6 is rear view of the wireless speaker of FIG. 1; and, FIG. 7 is front view of the wireless speaker of FIG. 1.
Subject matter shown in phantom lines does not form part of the design.

1 Claim, 3 Drawing Sheets



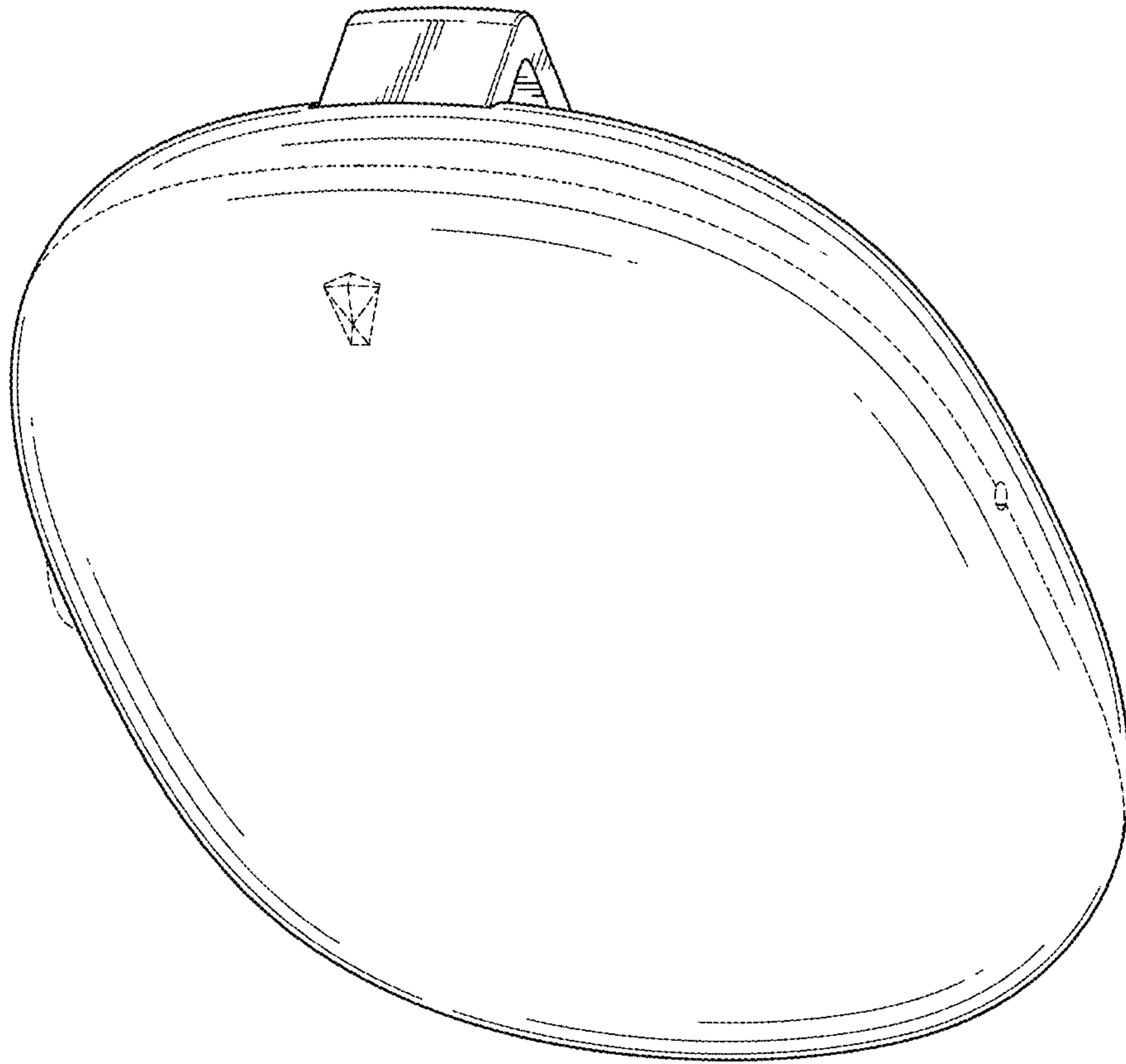


FIG. 1

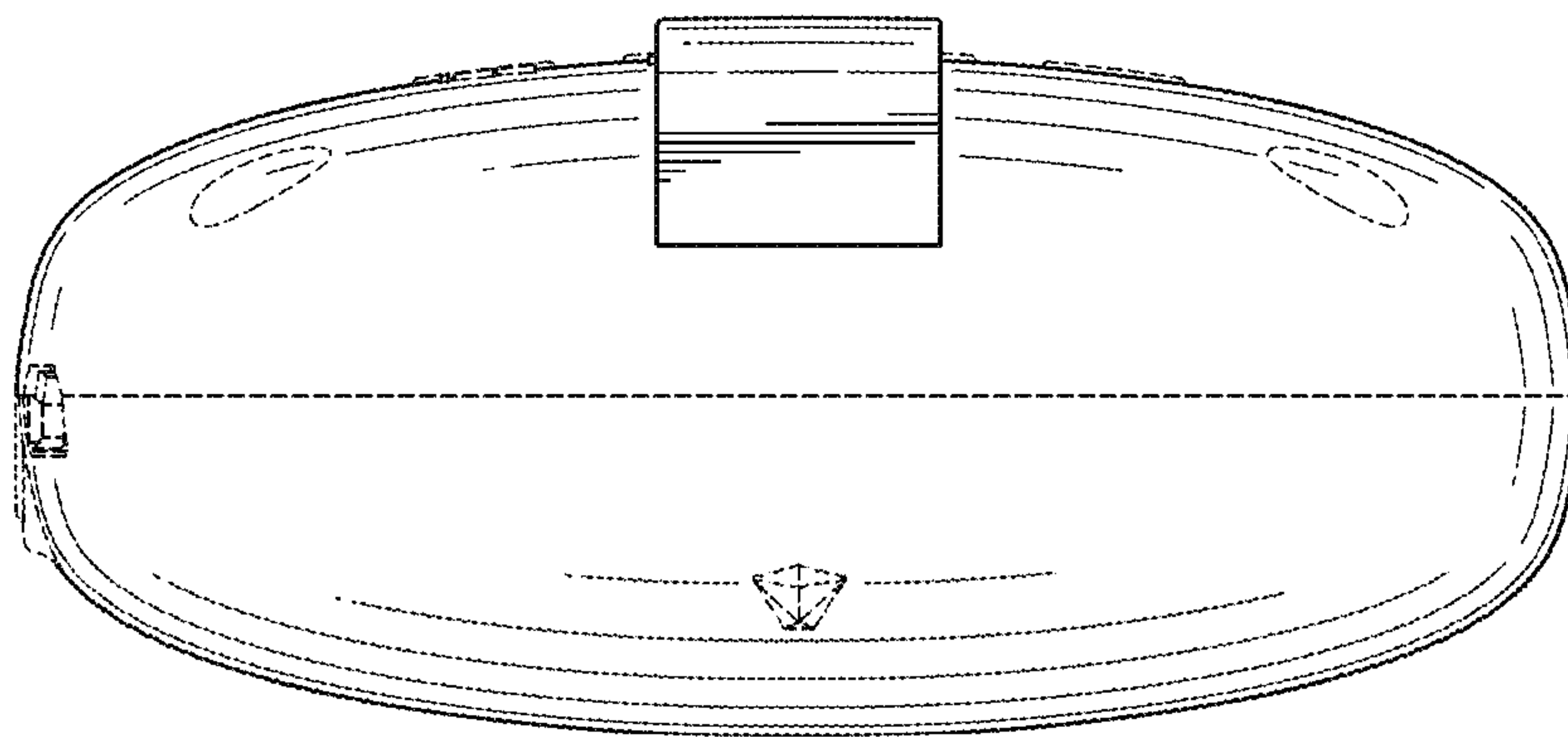


FIG. 2

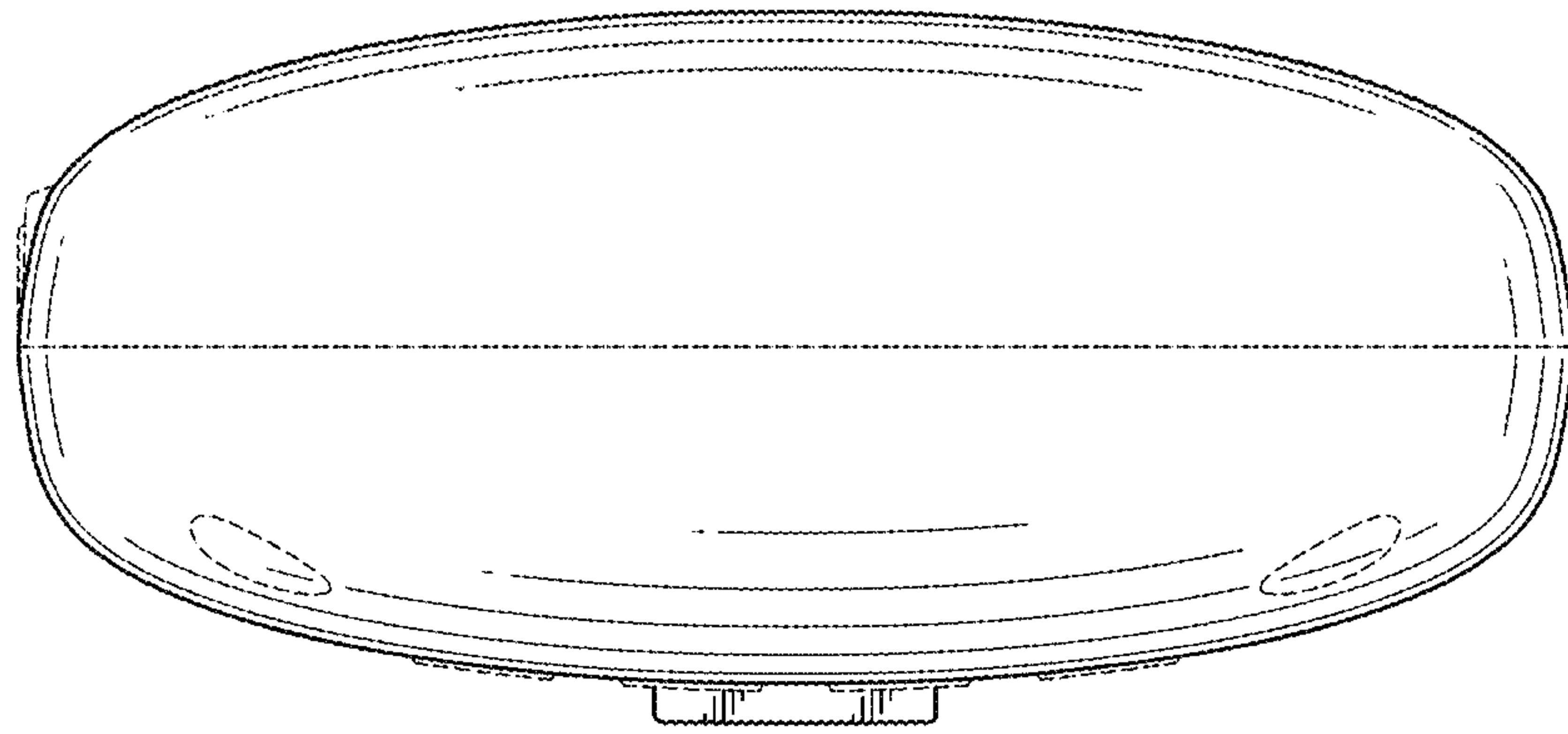


FIG. 3

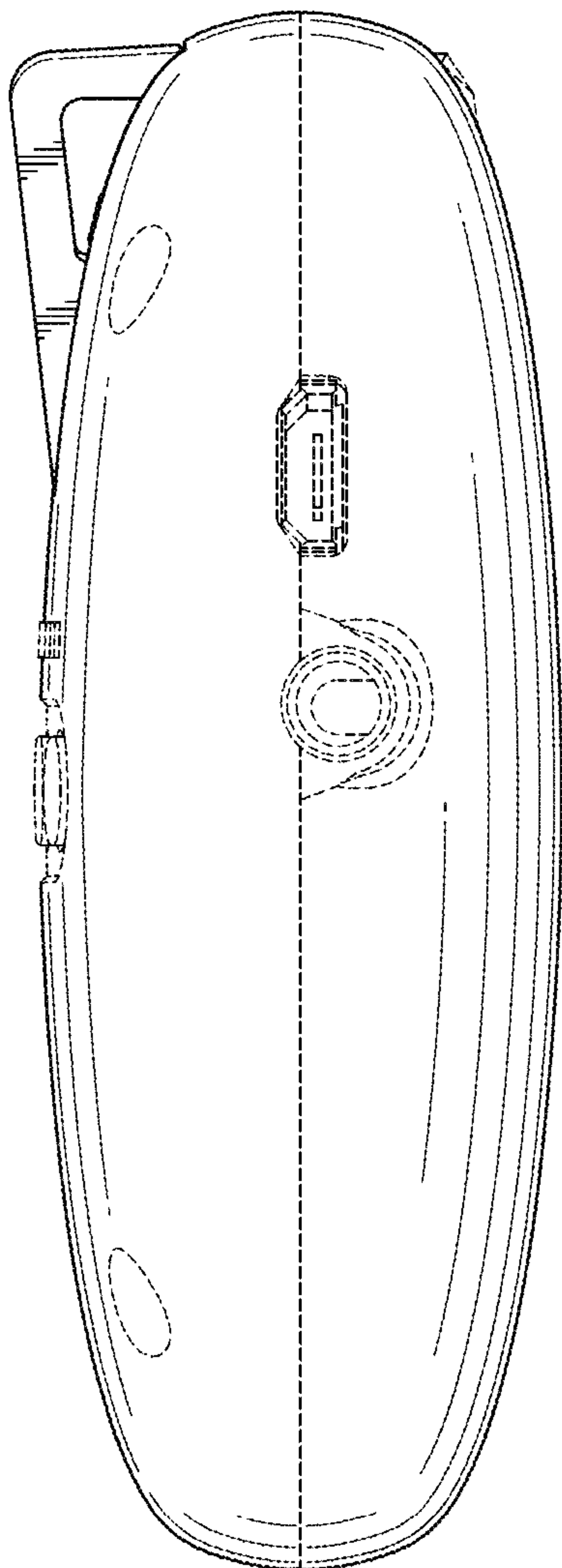


FIG. 4

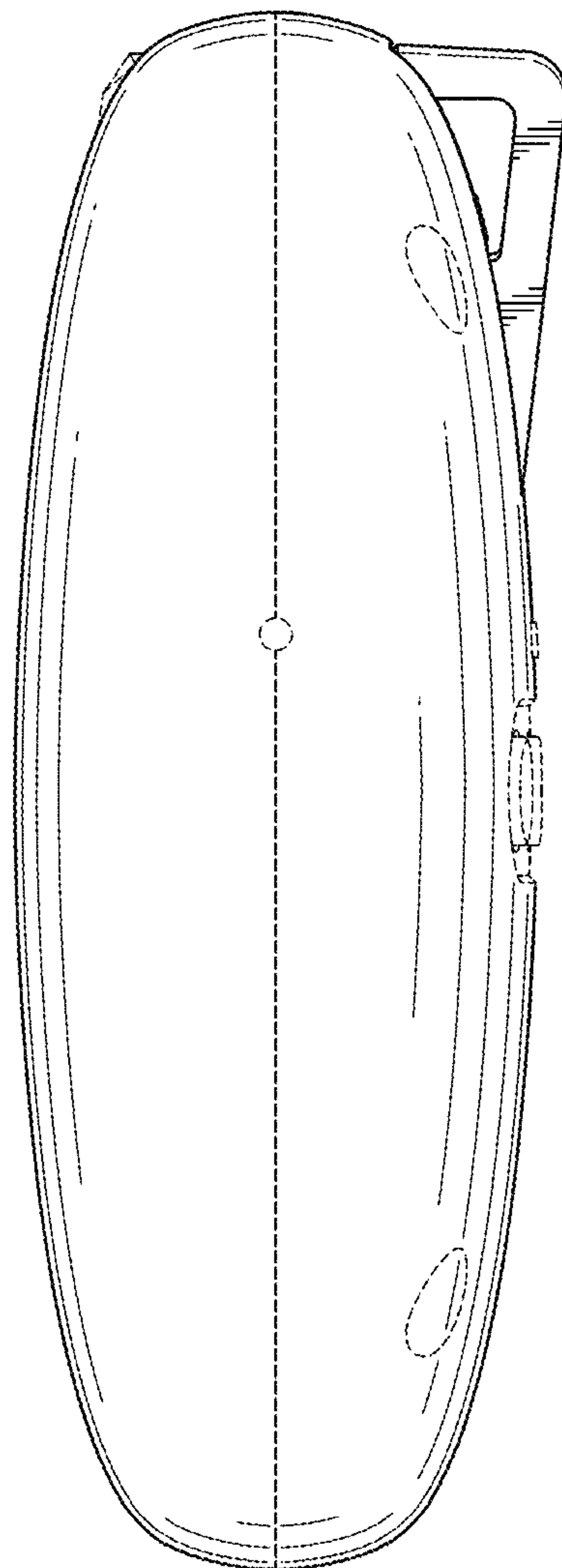


FIG. 5

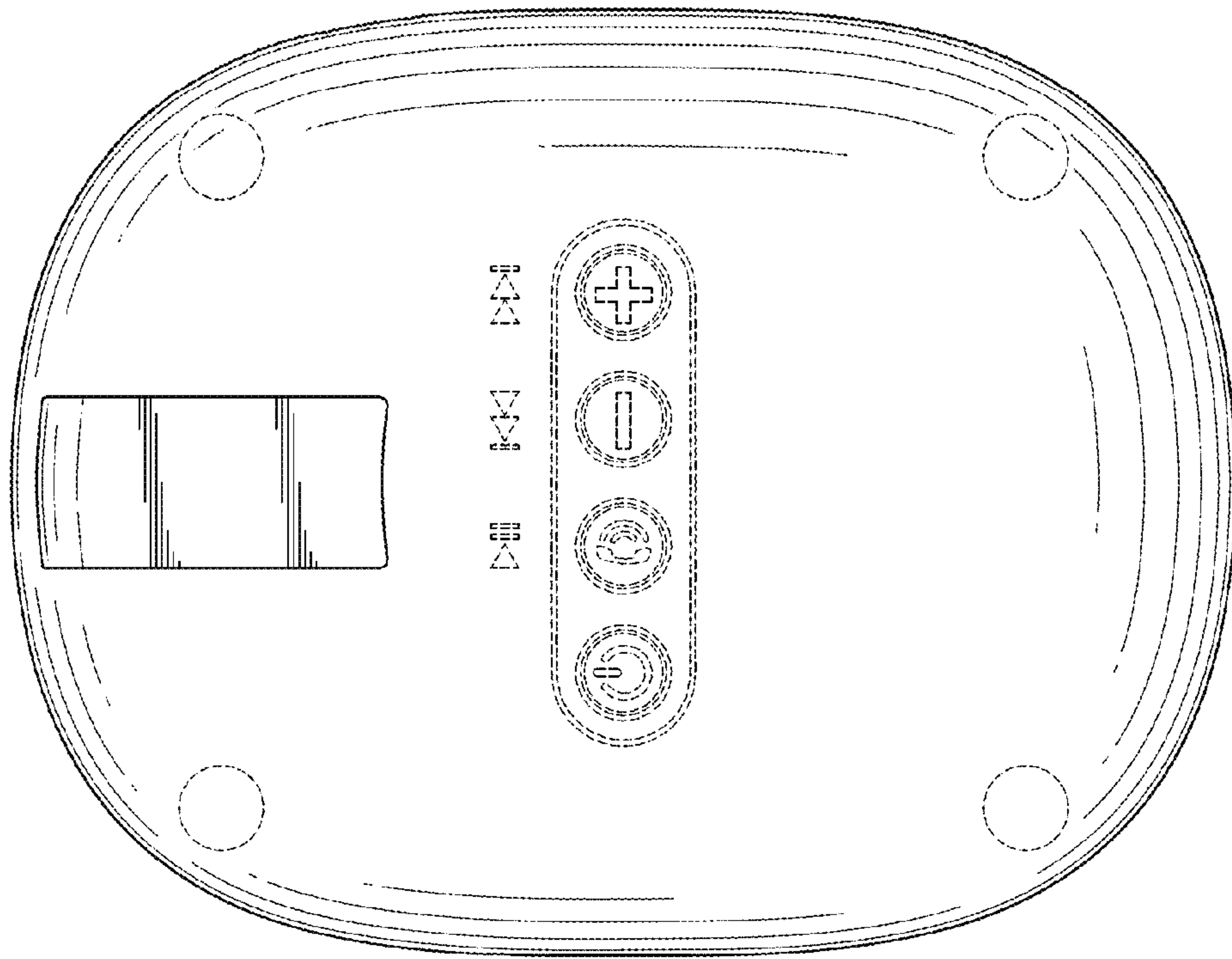


FIG. 7

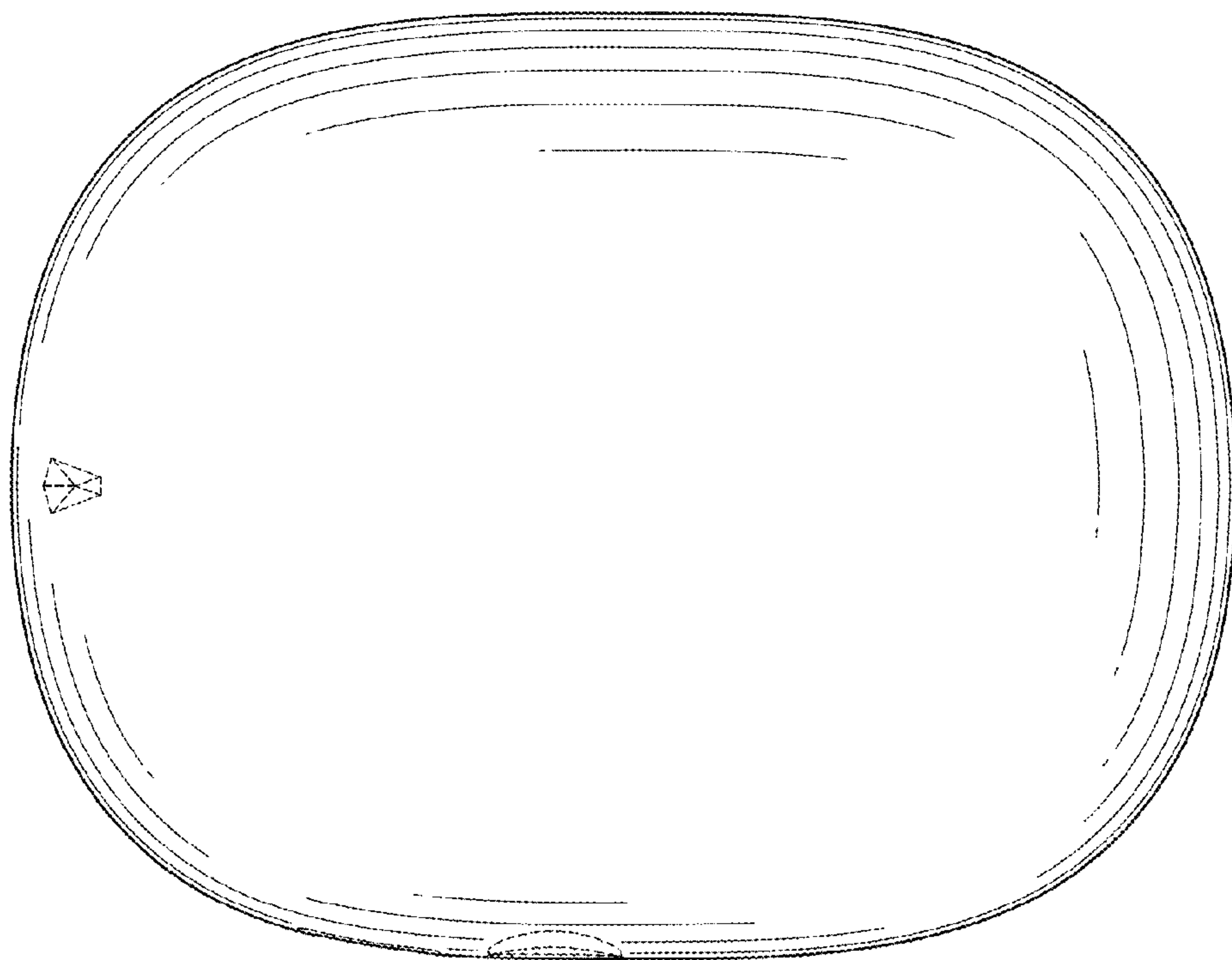


FIG. 8