



US00D741295S

(12) **United States Design Patent**
Westrup et al.

(10) **Patent No.:** **US D741,295 S**
(45) **Date of Patent:** **** Oct. 20, 2015**

(54) **CURVED SPEAKER FACE**

(71) Applicant: **Cyber Acoustics, LLC**, Vancouver, WA (US)

(72) Inventors: **Joseph Westrup**, Vancouver, WA (US); **David Dietz**, Camas, WA (US); **Chan Kei Lee**, Hong Kong (CN); **Kwong Chi Kei**, Hong Kong (CN); **Greg Sande**, Aloha, OR (US)

(**) Term: **14 Years**

(21) Appl. No.: **29/510,417**

(22) Filed: **Nov. 26, 2014**

(51) **LOC (10) Cl.** **14-03**

(52) **U.S. Cl.**
USPC **D14/214**; D14/215

(58) **Field of Classification Search**

USPC D14/167, 168, 170–172, 188, 194–196, D14/204, 207, 209.1, 210–216, 219, 221, D14/222, 224, 496; 181/143, 144, 147, 148, 181/150, 153, 157, 198, 199; 381/300–303, 381/306, 332, 333, 336, 345, 361–364, 381/386–388; 369/6–12
CPC B60R 11/0217; G06F 1/1688; H04M 1/03; H04M 1/035; H04R 1/02; H04R 1/06; H04R 1/021; H04R 1/025; H04R 1/026; H04R 1/028; H04R 1/105; H04R 1/323; H04R 1/403; H04R 1/2803; H04R 1/2834; H04R 5/02; H04R 7/20; H04R 9/06; H04R 9/025; H04R 2201/021; H04R 2400/00; H04R 2400/07; H04R 2499/11; H04R 2499/13; H04R 2499/15; H04S 3/00; H04S 7/30; H03F 1/327; G10K 9/22; G10K 11/004
See application file for complete search history.

(56) **References Cited**

U.S. PATENT DOCUMENTS

D260,390 S	8/1981	Bertagai
D277,383 S	1/1985	Boudreau et al.
D280,989 S	10/1985	Cridland et al.
4,805,730 A	2/1989	O'Neill et al.
D302,979 S	8/1989	Sanders
D332,607 S	1/1993	Yamazaki
D335,497 S	5/1993	Patterson et al.
D355,418 S	2/1995	Parsey
D363,485 S	10/1995	Pierce
D378,591 S	3/1997	Brezovar
D379,805 S	6/1997	Ratzlaff
D391,574 S	3/1998	Chen
D397,116 S	8/1998	Tatsumi
D403,324 S	12/1998	Horikoshi
D405,086 S	2/1999	Goto
5,896,461 A	4/1999	Faraci et al.
D410,006 S	5/1999	Miyazaki
D416,259 S	11/1999	Hoyt et al.
6,035,962 A	3/2000	Lin
D425,510 S	5/2000	Dietz et al.
D437,305 S	2/2001	Dietz et al.
D437,843 S	2/2001	Masui

(Continued)

Primary Examiner — Keli L Hill

(74) *Attorney, Agent, or Firm* — Chernoff, Vilhauer, McClung & Stenzel, LLP

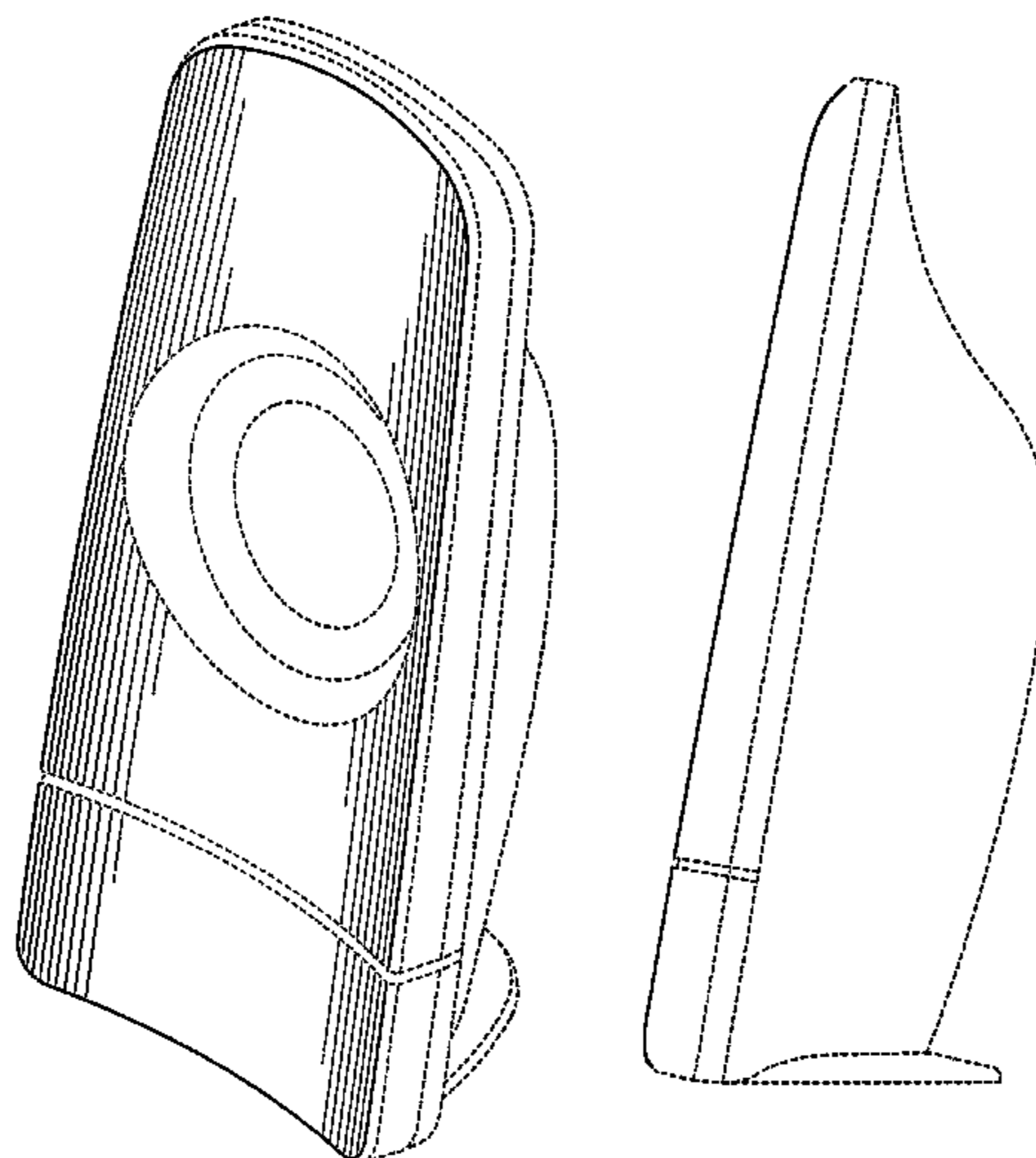
(57) **CLAIM**

The ornamental design of a curved speaker face, as shown and described.

DESCRIPTION

FIG. 1 is a front perspective view of a curved speaker face, embodying our new design; FIG. 2 is a front elevation view thereof; FIG. 3 is a top plan view thereof; and, FIG. 4 is a right side elevation view thereof, the left side elevation view being a mirror image thereto. The broken lines shown are included for the purpose of illustrating portions of the curved speaker face that form no part of the claim.

1 Claim, 2 Drawing Sheets



(56)

References Cited

U.S. PATENT DOCUMENTS

D440,555 S 4/2001 Dietz et al.
D449,829 S 10/2001 Gustavsson et al.
D467,903 S * 12/2002 Solland D14/216
D468,294 S * 1/2003 Solland D14/216
D470,475 S * 2/2003 Solland D14/216
D476,309 S 6/2003 Narita
D478,565 S 8/2003 Oikawa
D480,704 S 10/2003 Ryu

D485,280 S 1/2004 Hussaini
D496,352 S * 9/2004 Crook et al. D14/214
D500,030 S 12/2004 Dietz et al.
D500,492 S 1/2005 Dietz et al.
D513,612 S 1/2006 Harris, Jr. et al.
D514,090 S 1/2006 Carbone et al.
D515,071 S 2/2006 Dietz et al.
D547,303 S 7/2007 Westrup et al.
D723,000 S * 2/2015 Breines D14/209.1
2004/0162029 A1 8/2004 Grady

* cited by examiner

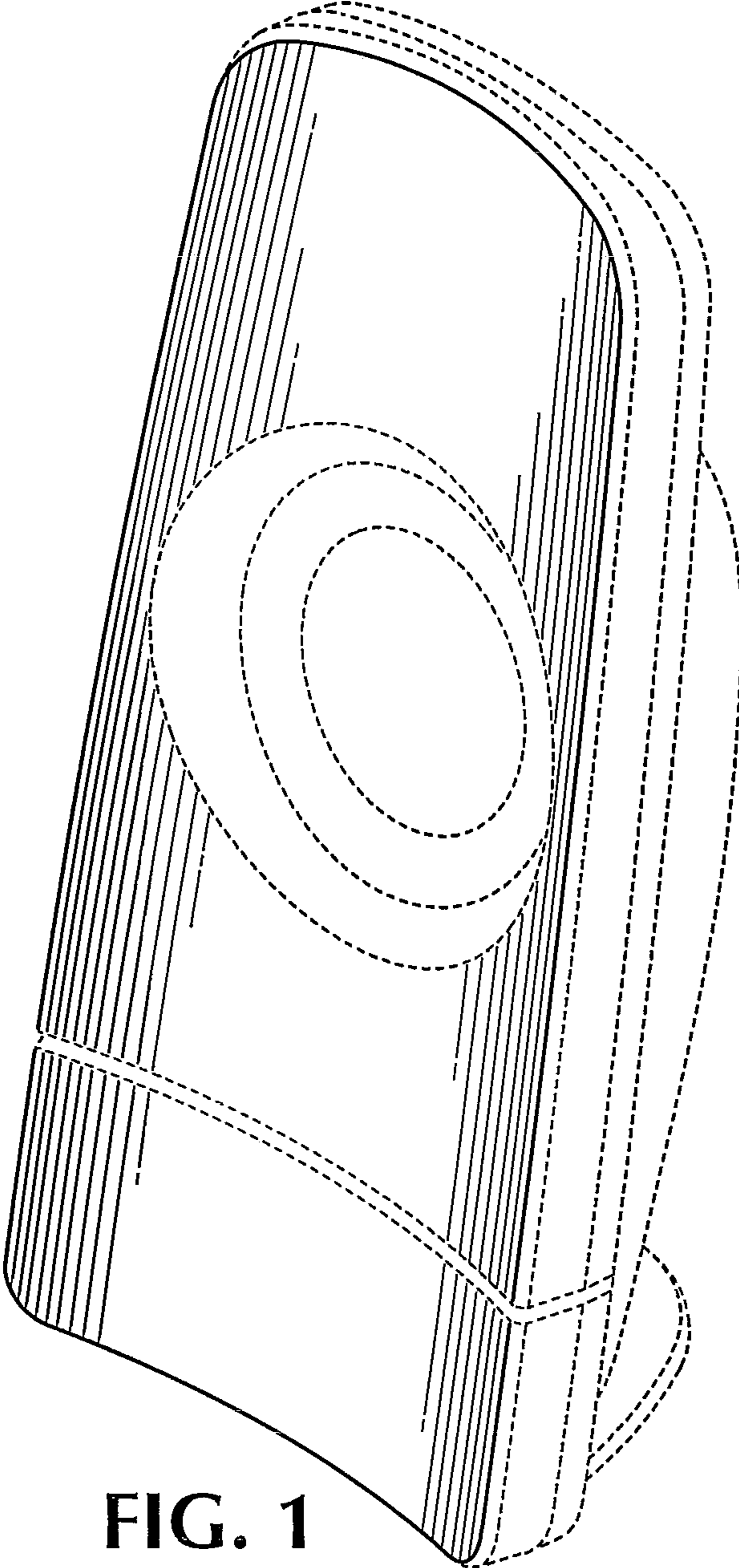


FIG. 1

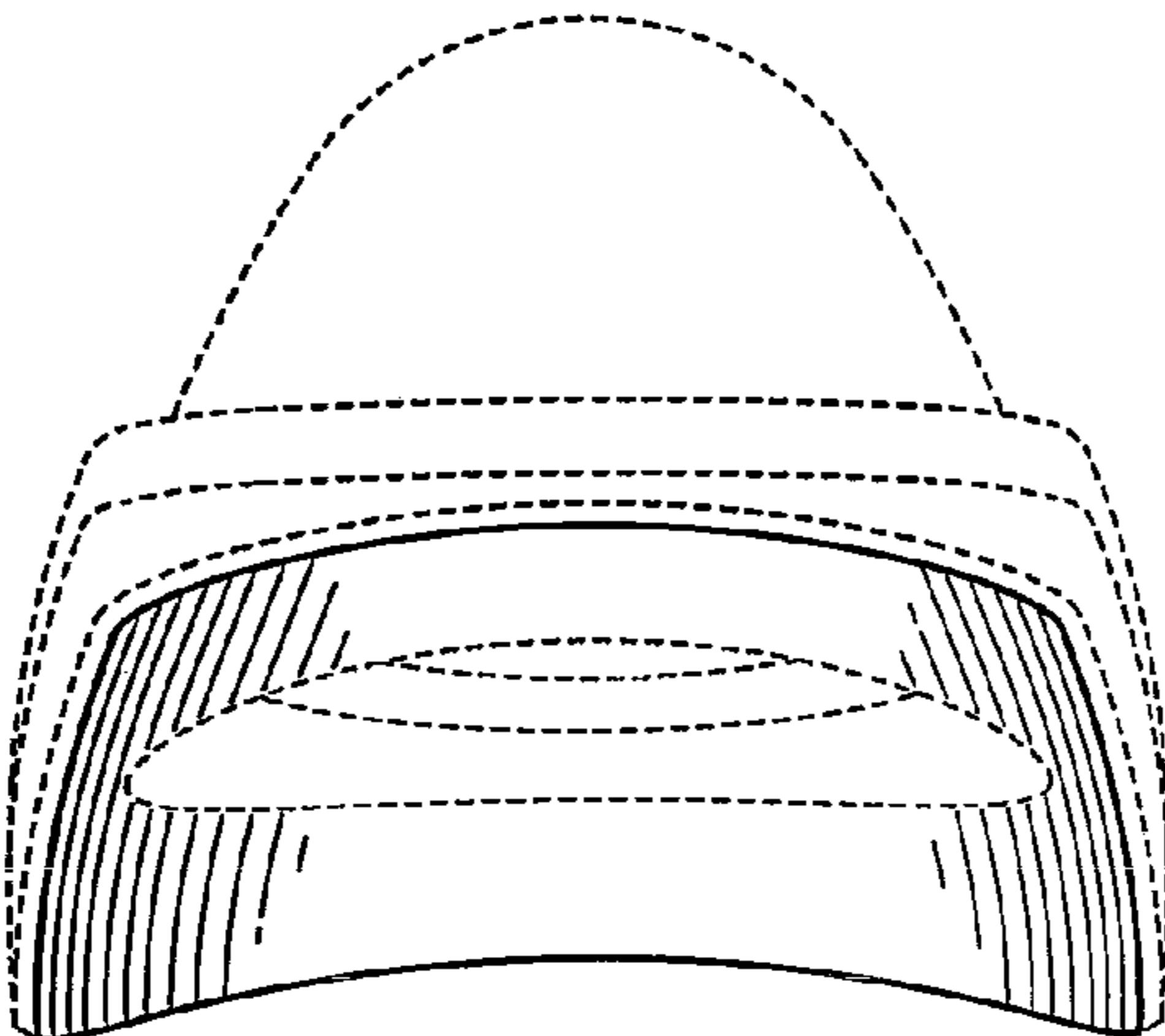


FIG. 2

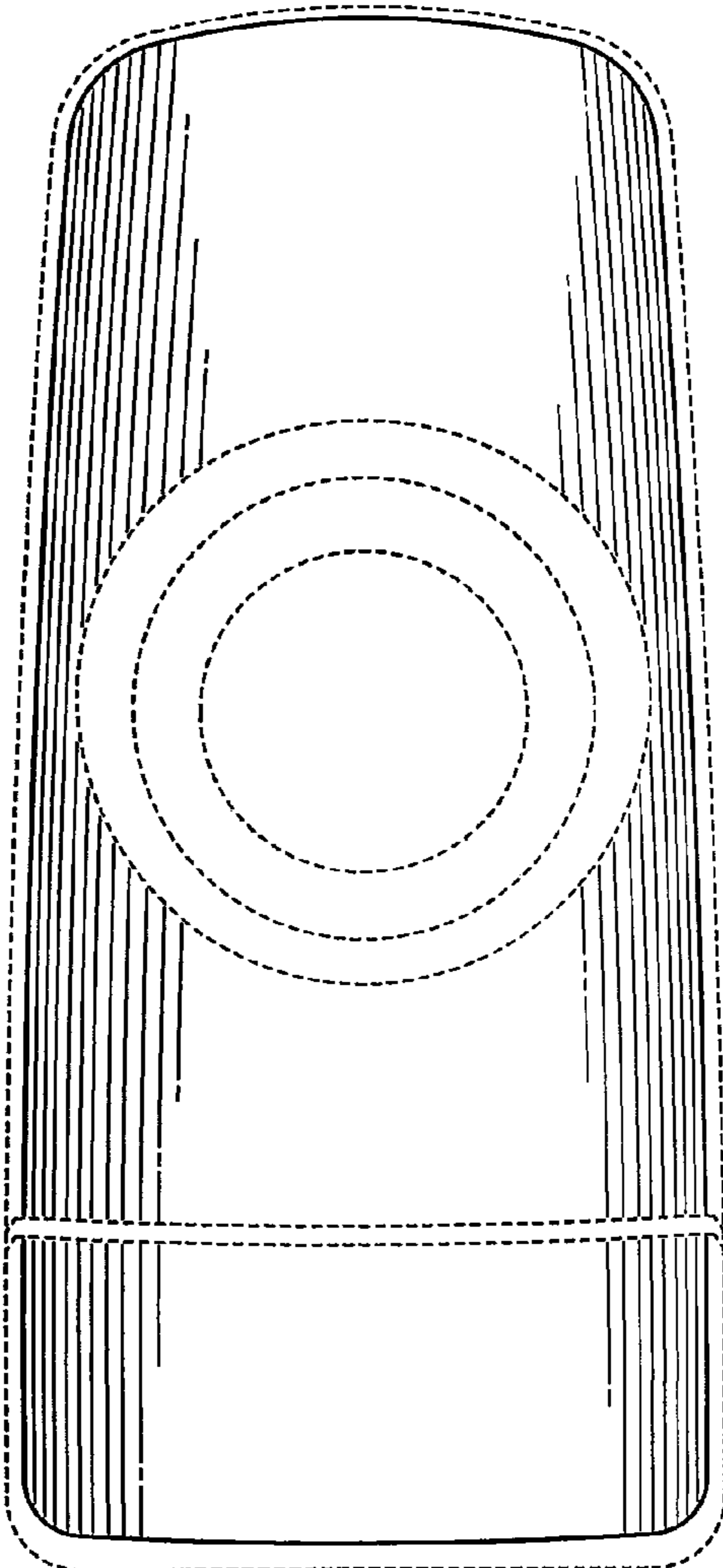


FIG. 3

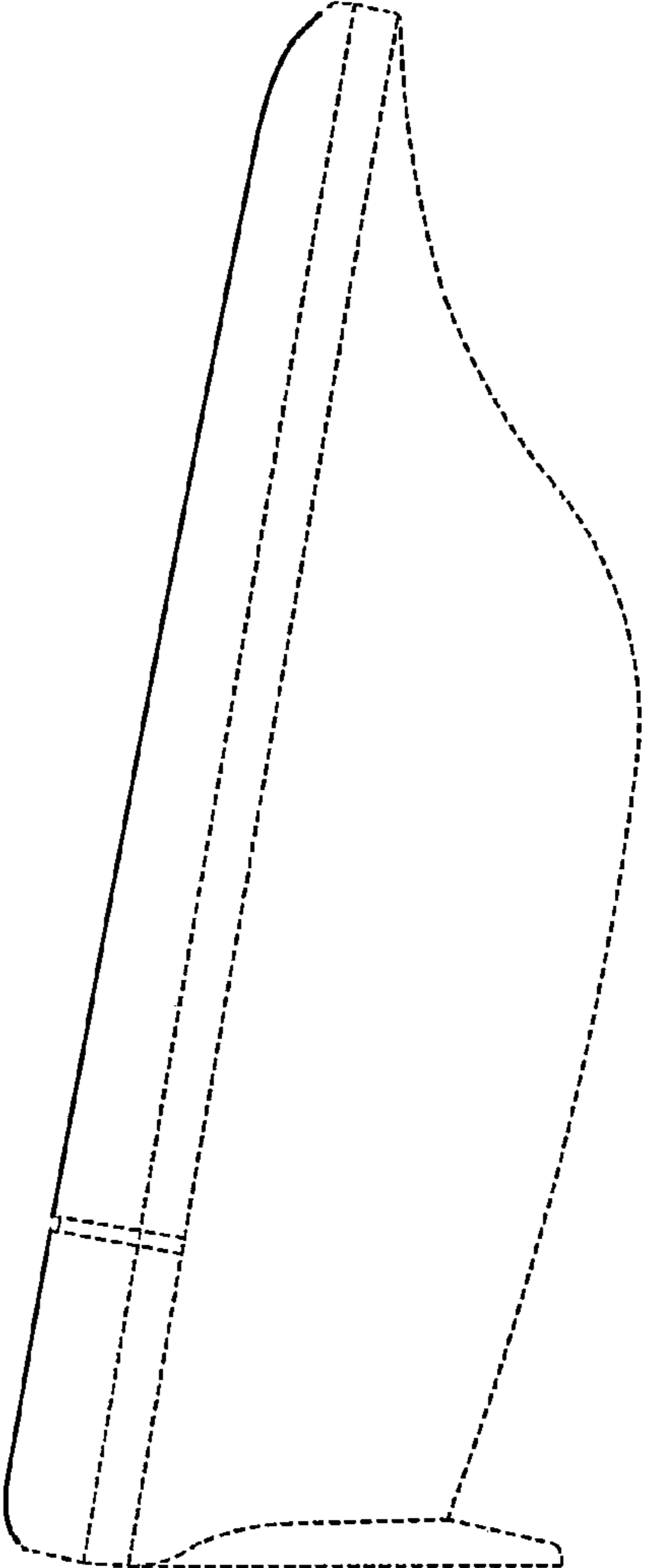


FIG. 4