



US00D741294S

(12) **United States Design Patent**
Zhu et al.

(10) **Patent No.:** **US D741,294 S**
(45) **Date of Patent:** **** Oct. 20, 2015**

(54) **BLUETOOTH SPEAKER**

H03F 1/327; G10K 9/22; G10K 11/004
See application file for complete search history.

(71) Applicant: **TCL Technoly Electronics (Huizhou) Co., Ltd.**, Huizhou, Guangdong (CN)

(56) **References Cited**

(72) Inventors: **Xiaochen Zhu**, Huizhou (CN); **Lei Qu**, Huizhou (CN); **Wenhai Liao**, Huizhou (CN); **Qiang Li**, Huizhou (CN)

U.S. PATENT DOCUMENTS

(73) Assignee: **TCL TECHNOLOGY ELECTRONICS (HUIZHOU) CO., LTD.**, Huizhou (CN)

D389,483	S	*	1/1998	Christie et al.	D14/214
D666,167	S	*	8/2012	Pietzsch	D14/196
D676,418	S	*	2/2013	Suzuki	D14/209.1
D677,244	S	*	3/2013	Funayama	D14/209.1
D678,244	S	*	3/2013	Behar et al.	D14/214
D681,604	S	*	5/2013	Funayama	D14/209.1
D692,861	S	*	11/2013	Paterson	D14/214
D725,204	S	*	3/2015	Rub	D21/707
D726,142	S	*	4/2015	Itoh et al.	D14/196

(**) Term: **14 Years**

* cited by examiner

(21) Appl. No.: **29/501,407**

Primary Examiner — Keli L Hill

(22) Filed: **Sep. 4, 2014**

(51) **LOC (10) Cl.** **14-03**

(52) **U.S. Cl.**
USPC **D14/214**

(57) **CLAIM**

The ornamental design for a bluetooth speaker, as shown.

(58) **Field of Classification Search**

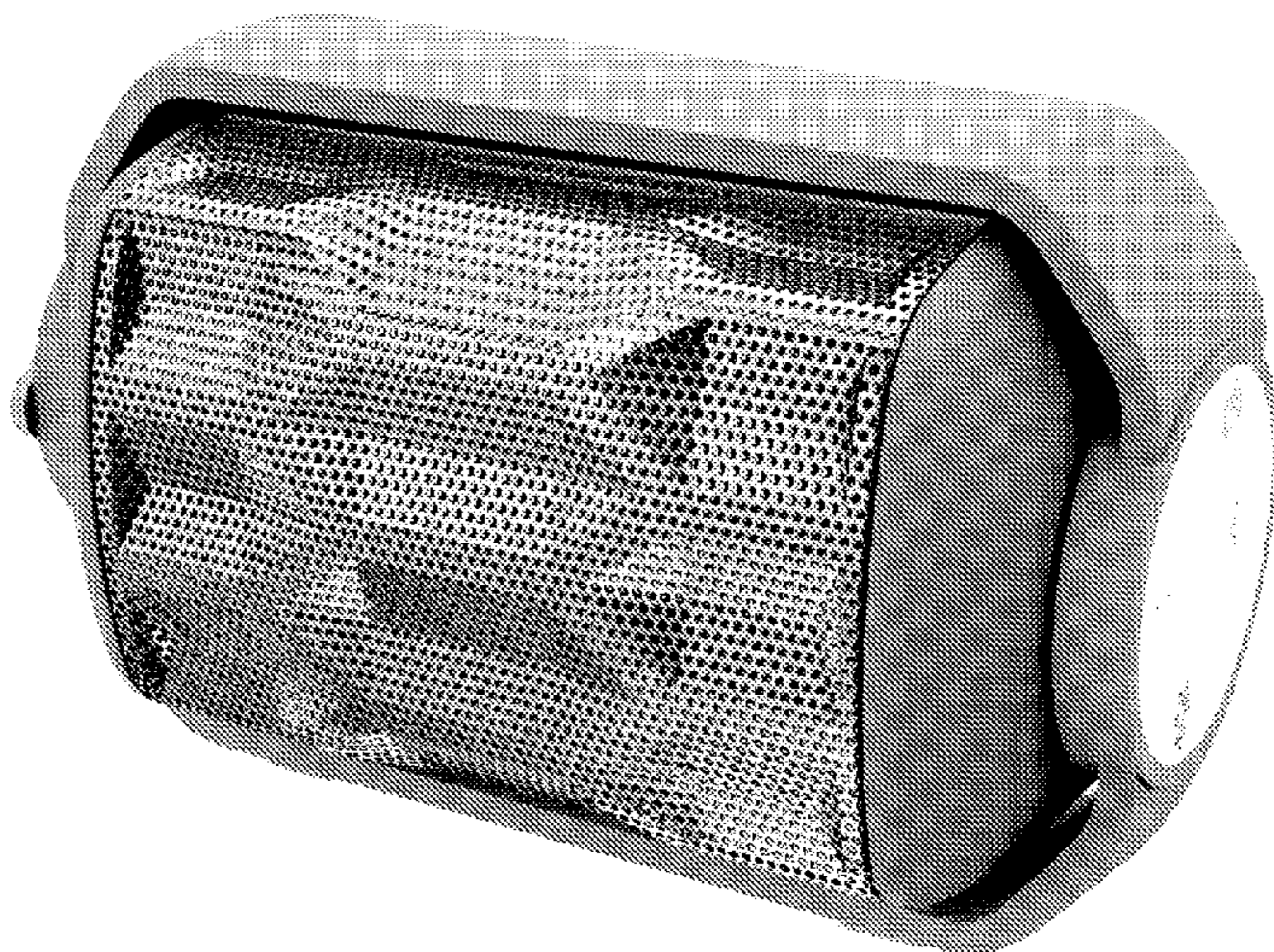
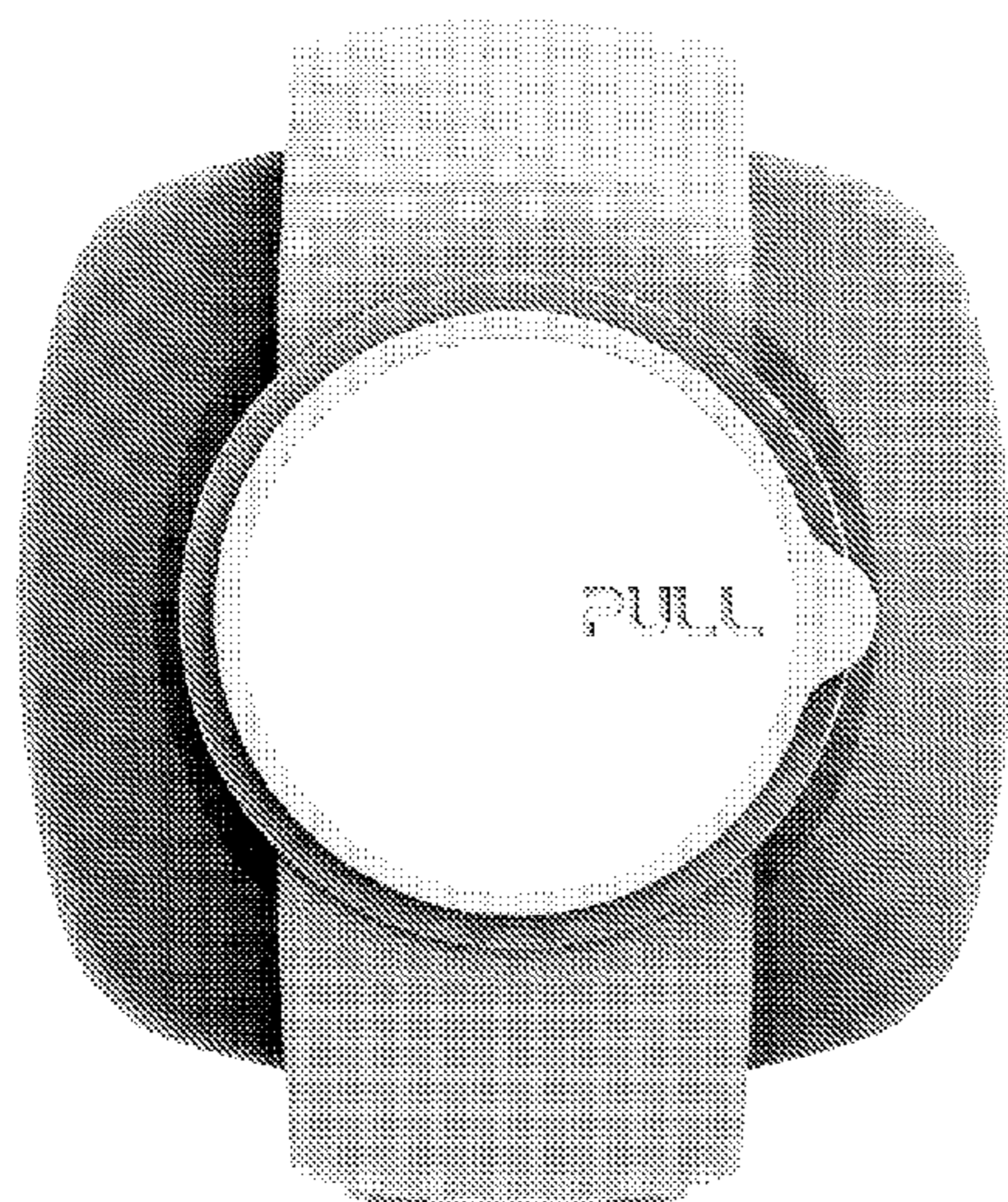
DESCRIPTION

USPC D14/167, 168, 170–172, 188, 194–196, D14/204, 207, 209.1, 210–216, 219, 221, D14/222, 224, 496; 181/143, 144, 147, 148, 181/150, 153, 157, 198, 199; 381/300–303, 381/306, 332, 333, 336, 345, 361–364, 381/386–388; 369/6–12

CPC B60R 11/0217; G06F 1/1688; H04M 1/03; H04M 1/035; H04R 1/02; H04R 1/06; H04R 1/021; H04R 1/025; H04R 1/026; H04R 1/028; H04R 1/105; H04R 1/323; H04R 1/403; H04R 1/2803; H04R 1/2834; H04R 5/02; H04R 7/20; H04R 9/06; H04R 9/025; H04R 2201/021; H04R 2400/00; H04R 2400/07; H04R 2499/11; H04R 2499/13; H04R 2499/15; H04S 3/00; H04S 7/30;

FIG. 1 is a front elevational view of a bluetooth speaker showing our design;
 FIG. 2 is a rear elevational view thereof;
 FIG. 3 is a left side, elevational view thereof;
 FIG. 4 is a right side, elevational view thereof;
 FIG. 5 is a top plan view thereof;
 FIG. 6 is a bottom plan view thereof;
 FIG. 7 is a first perspective view thereof;
 FIG. 8 is a second perspective view thereof;
 FIG. 9 is a third perspective view thereof; and,
 FIG. 10 is a fourth perspective view thereof.

1 Claim, 10 Drawing Sheets



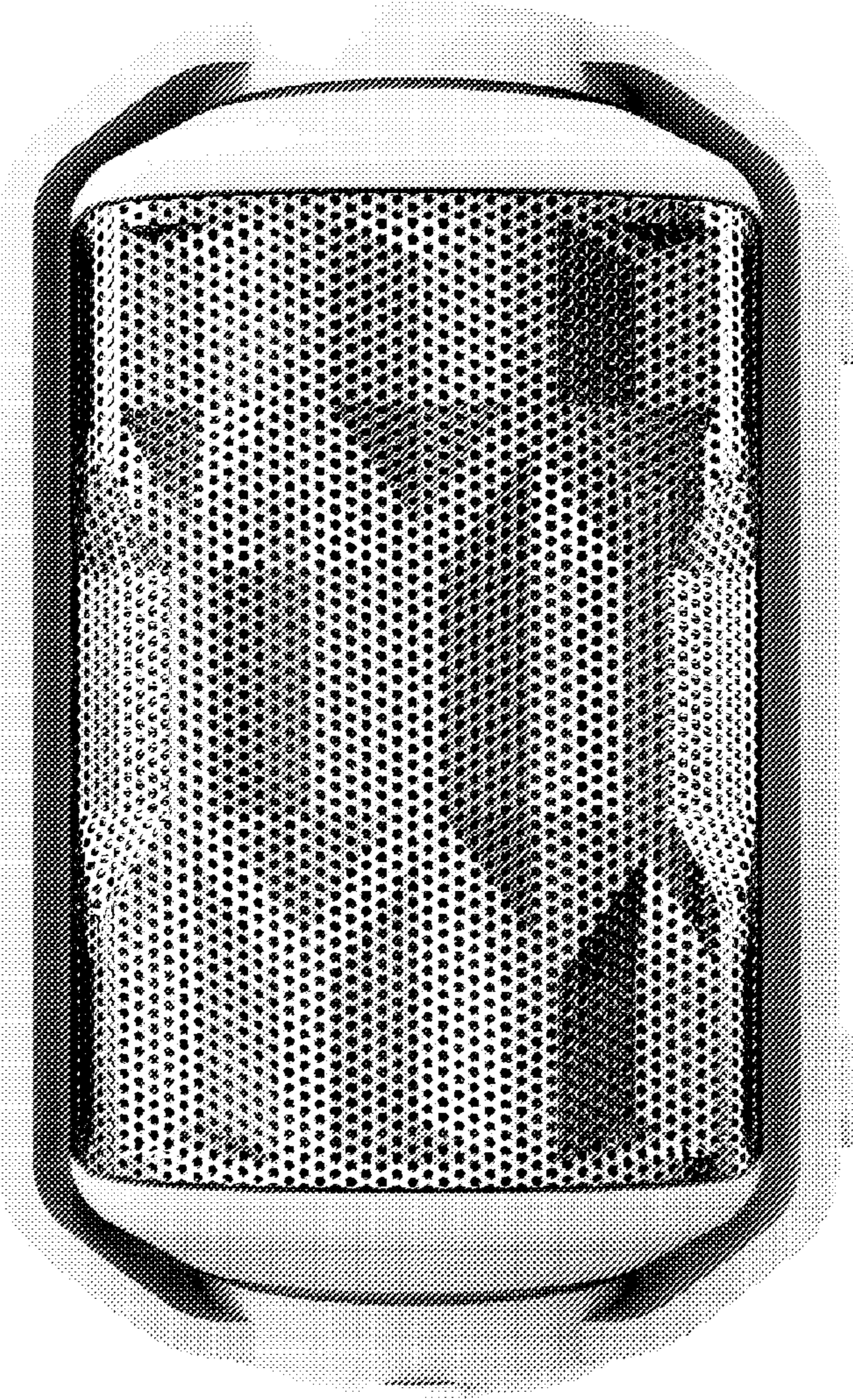


Fig. 1

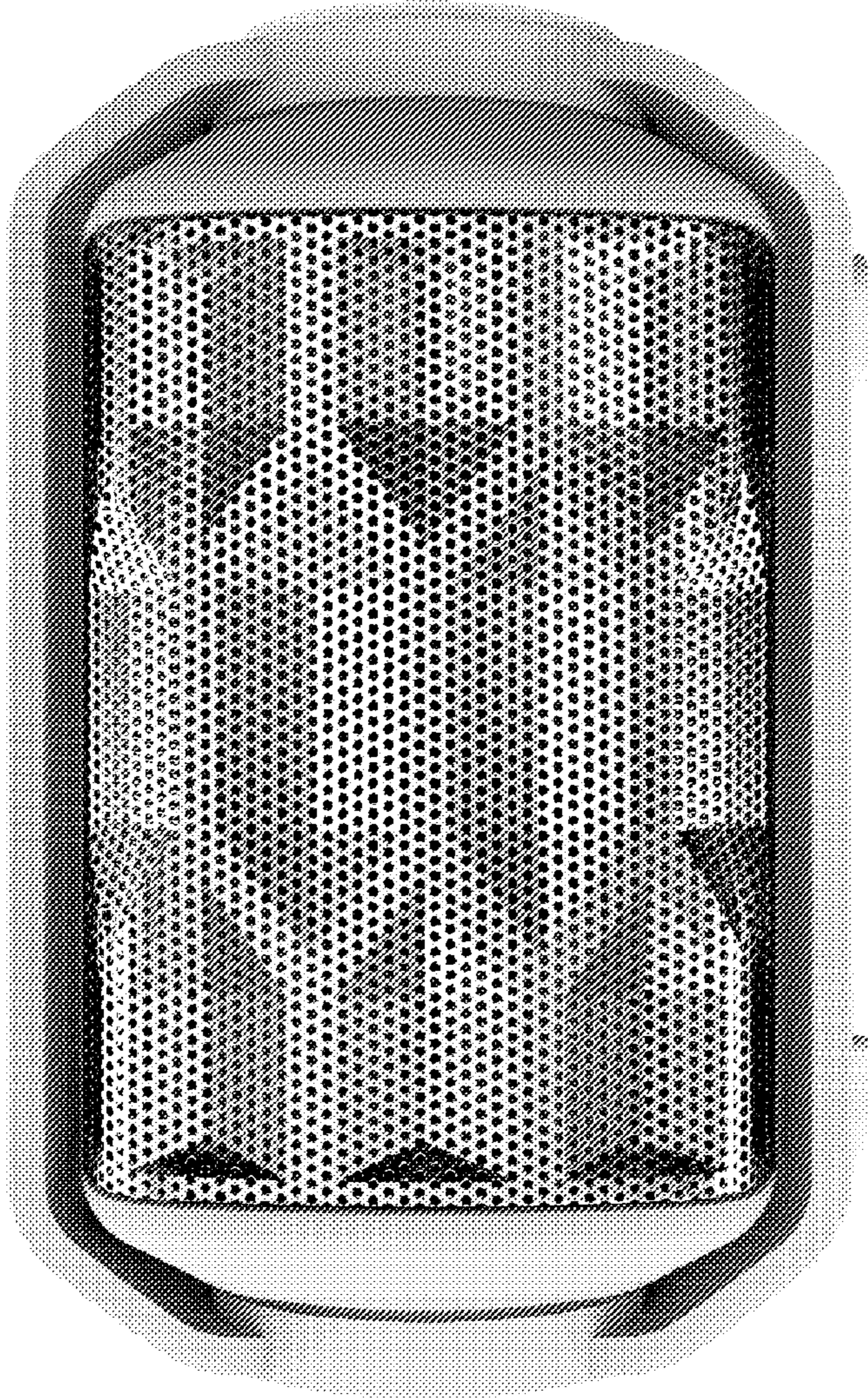


Fig. 2

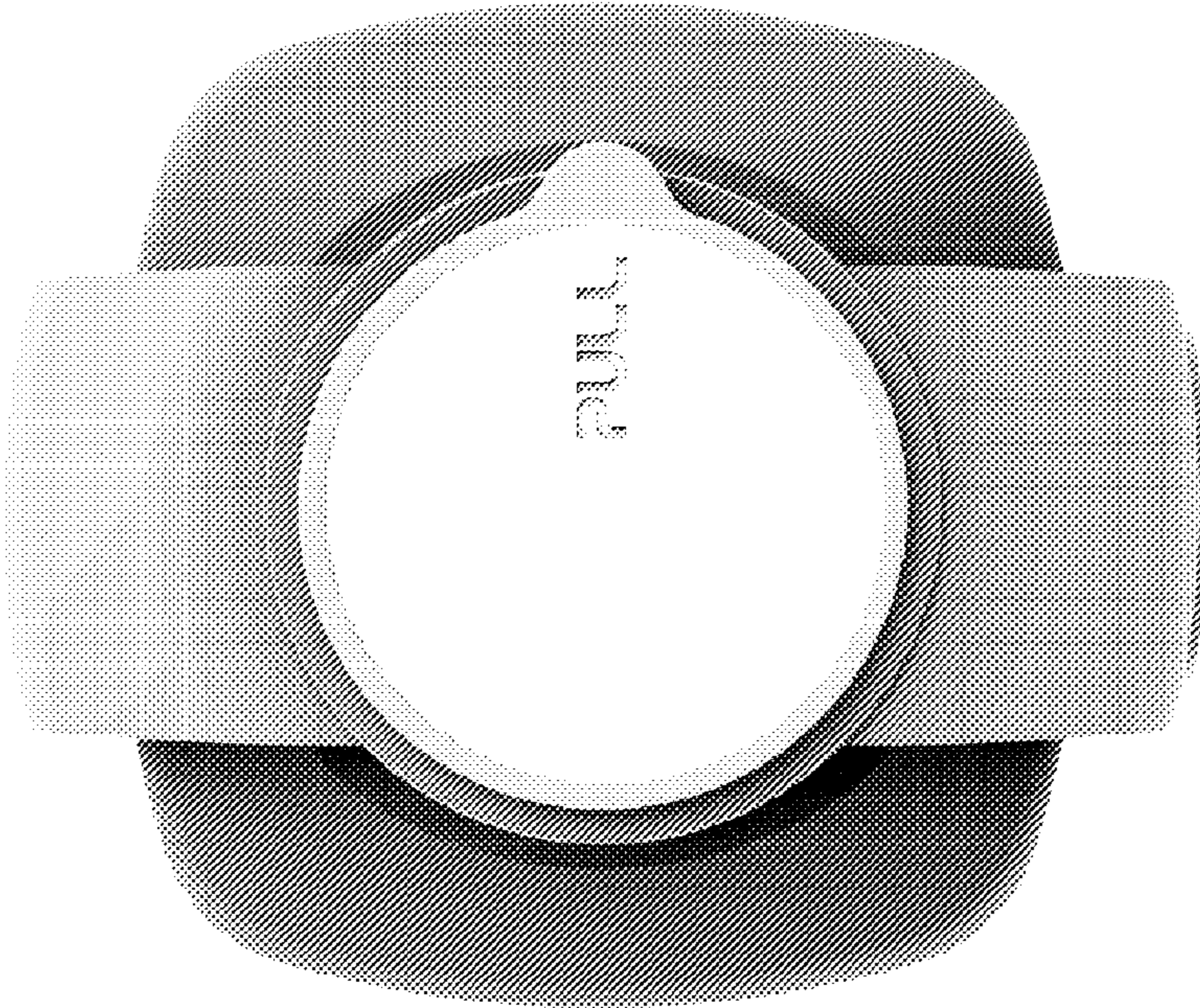


Fig. 3

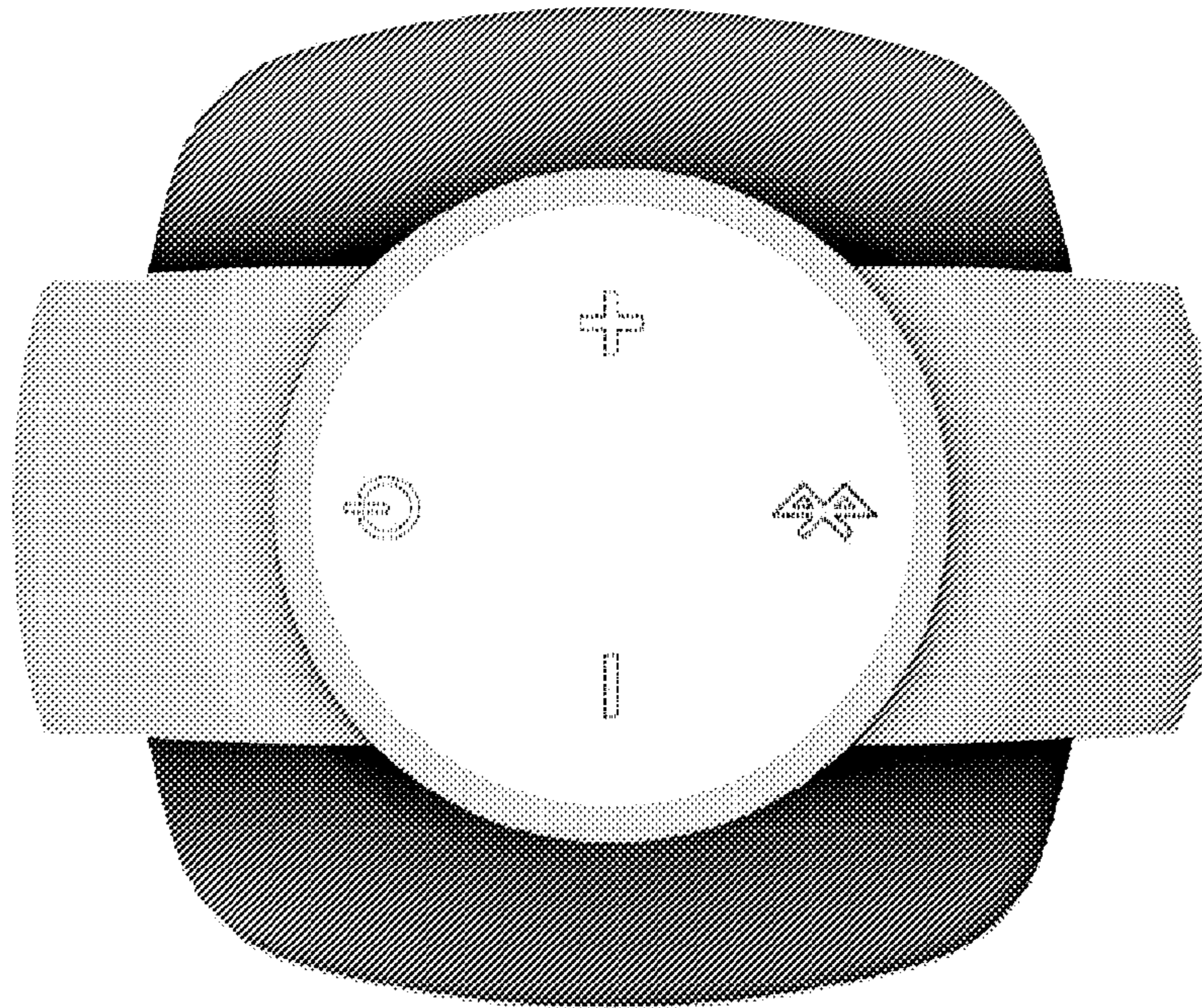


Fig. 4

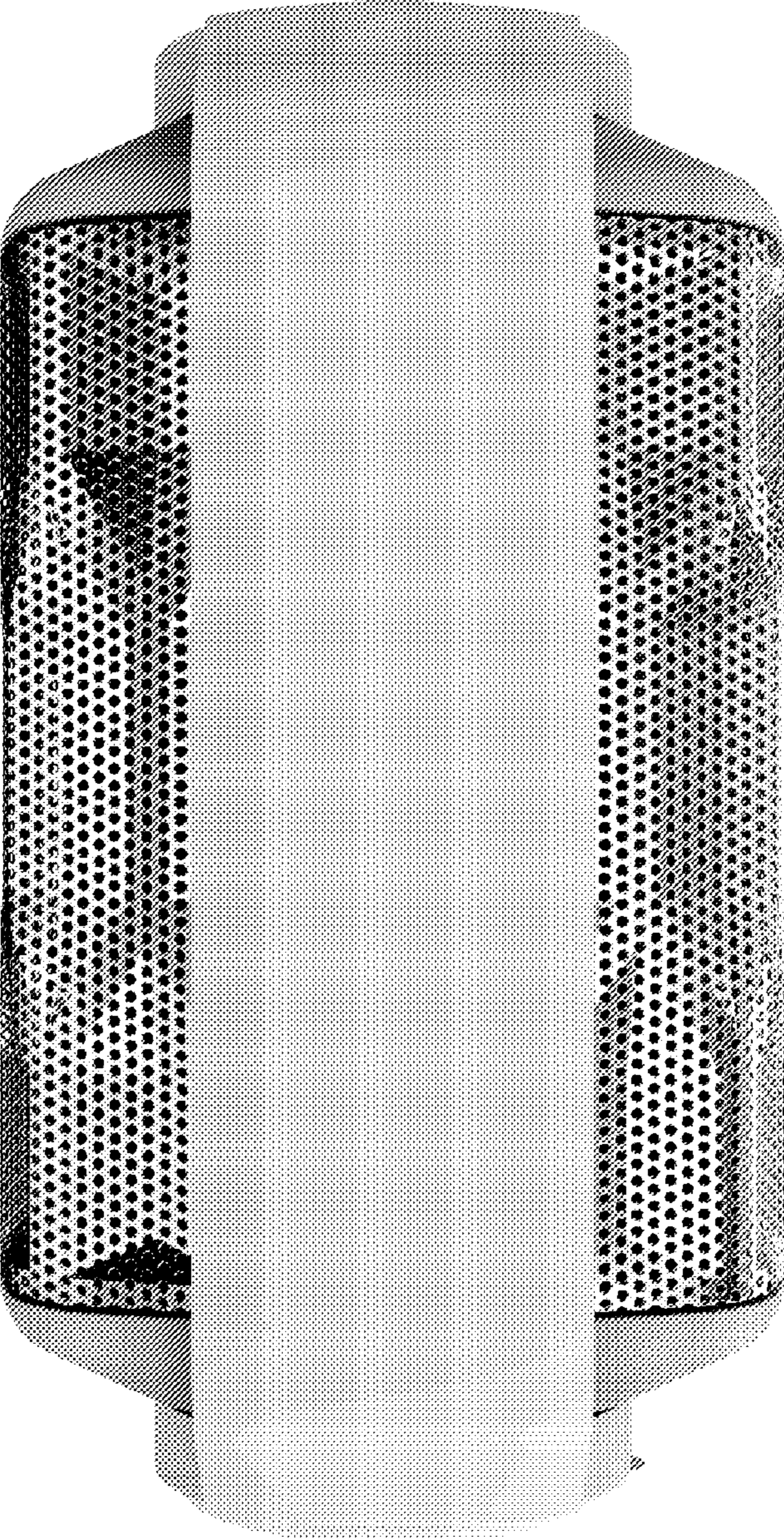


Fig. 5

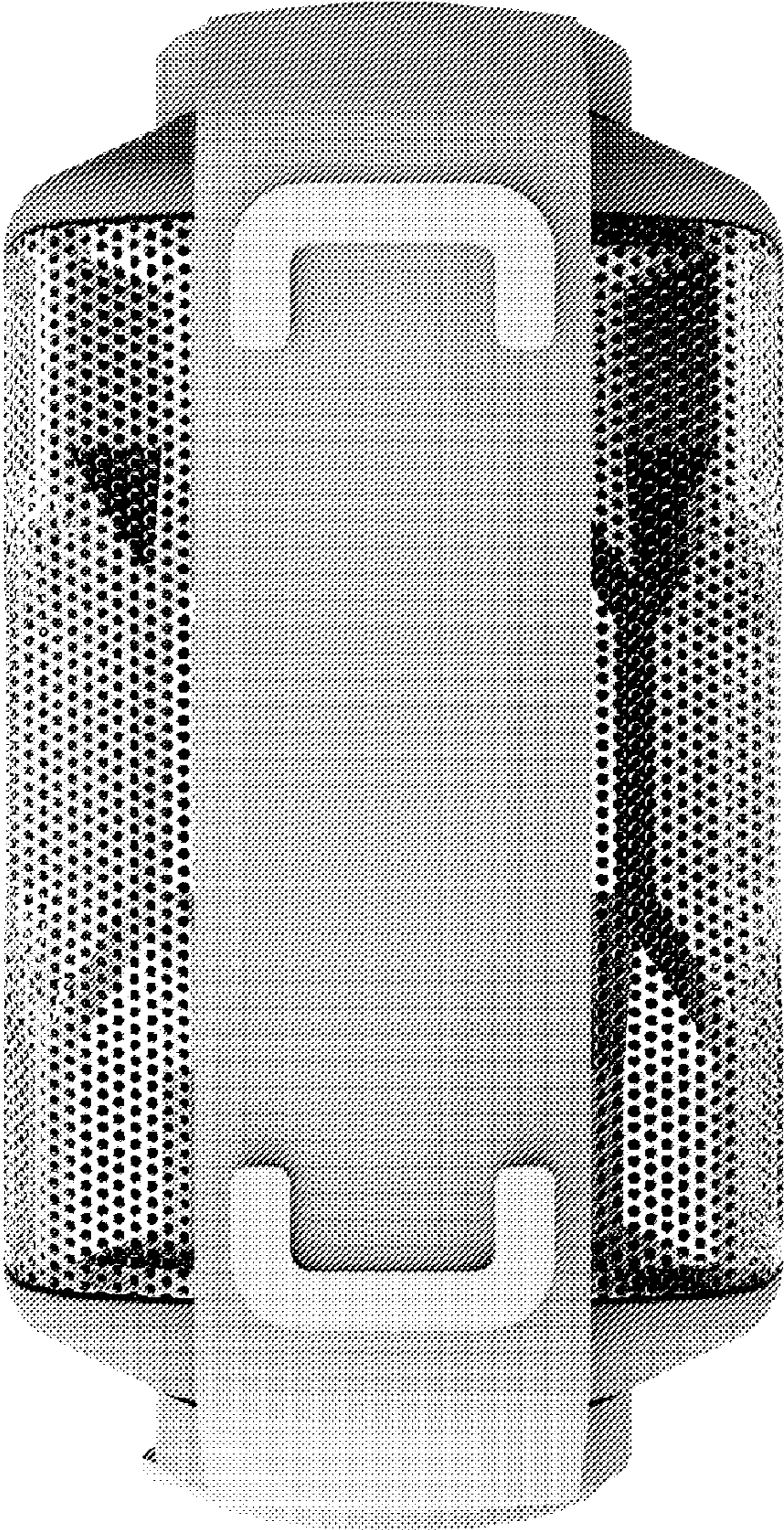


Fig. 6

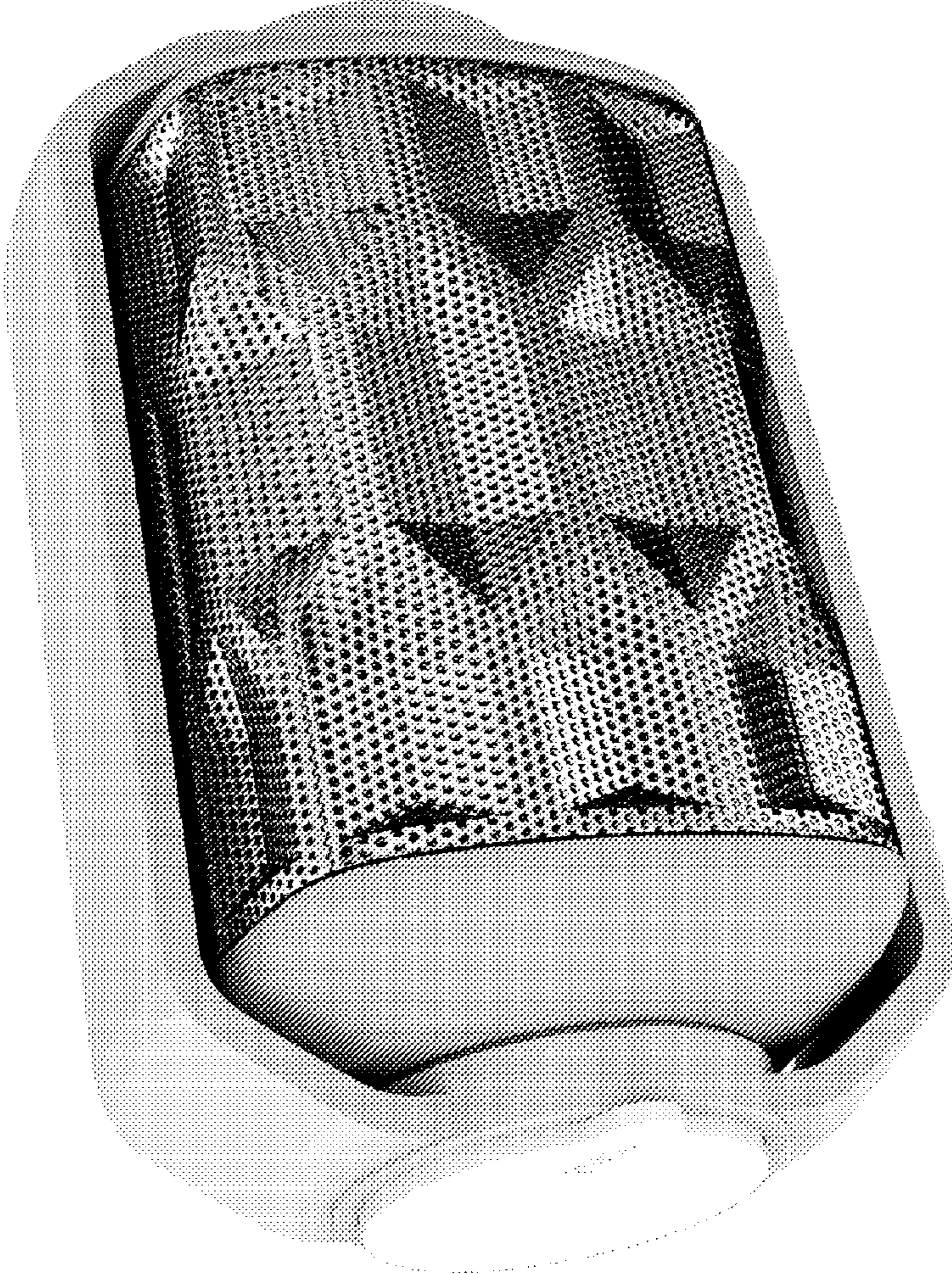


Fig. 7

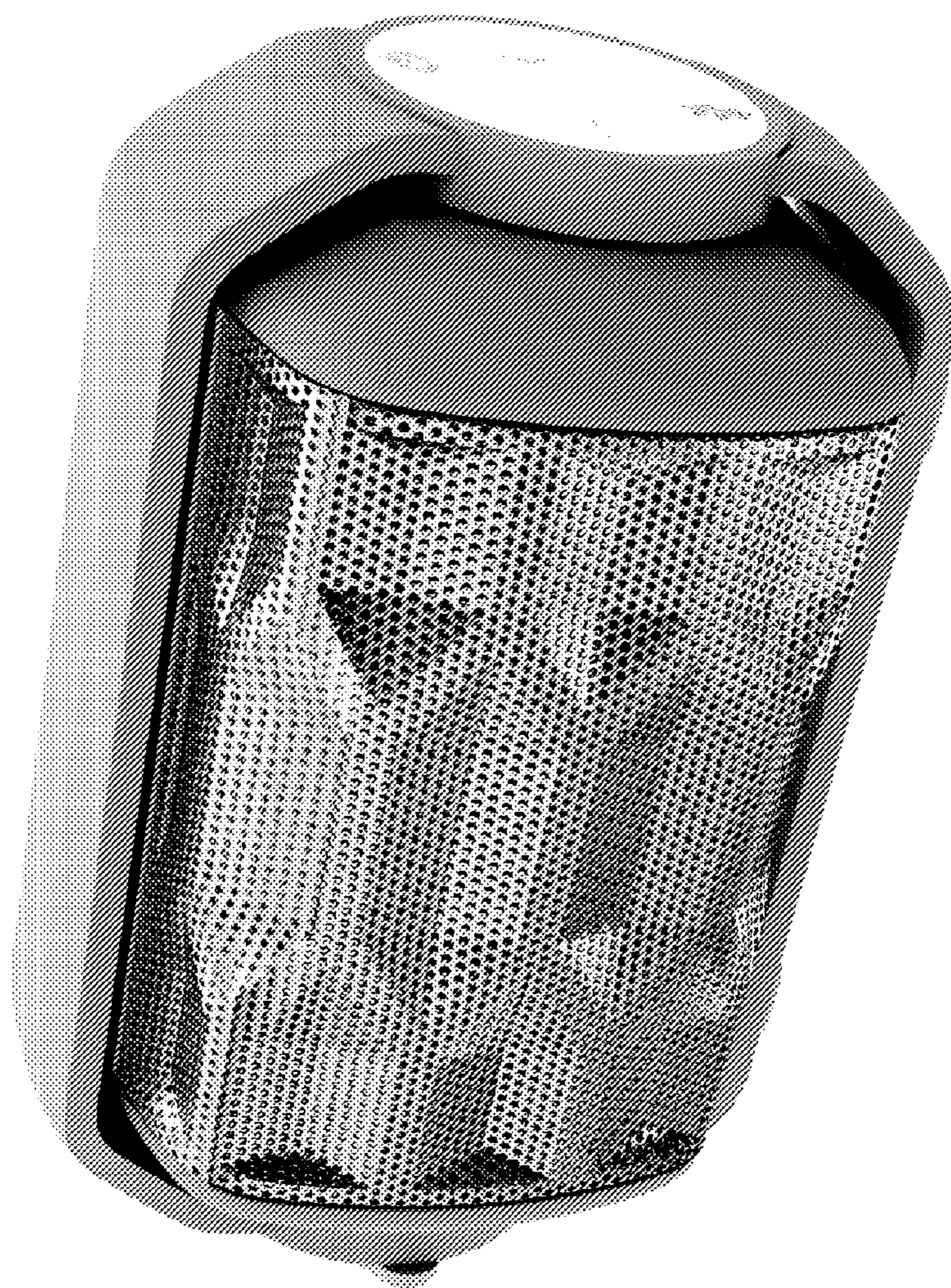


Fig. 8

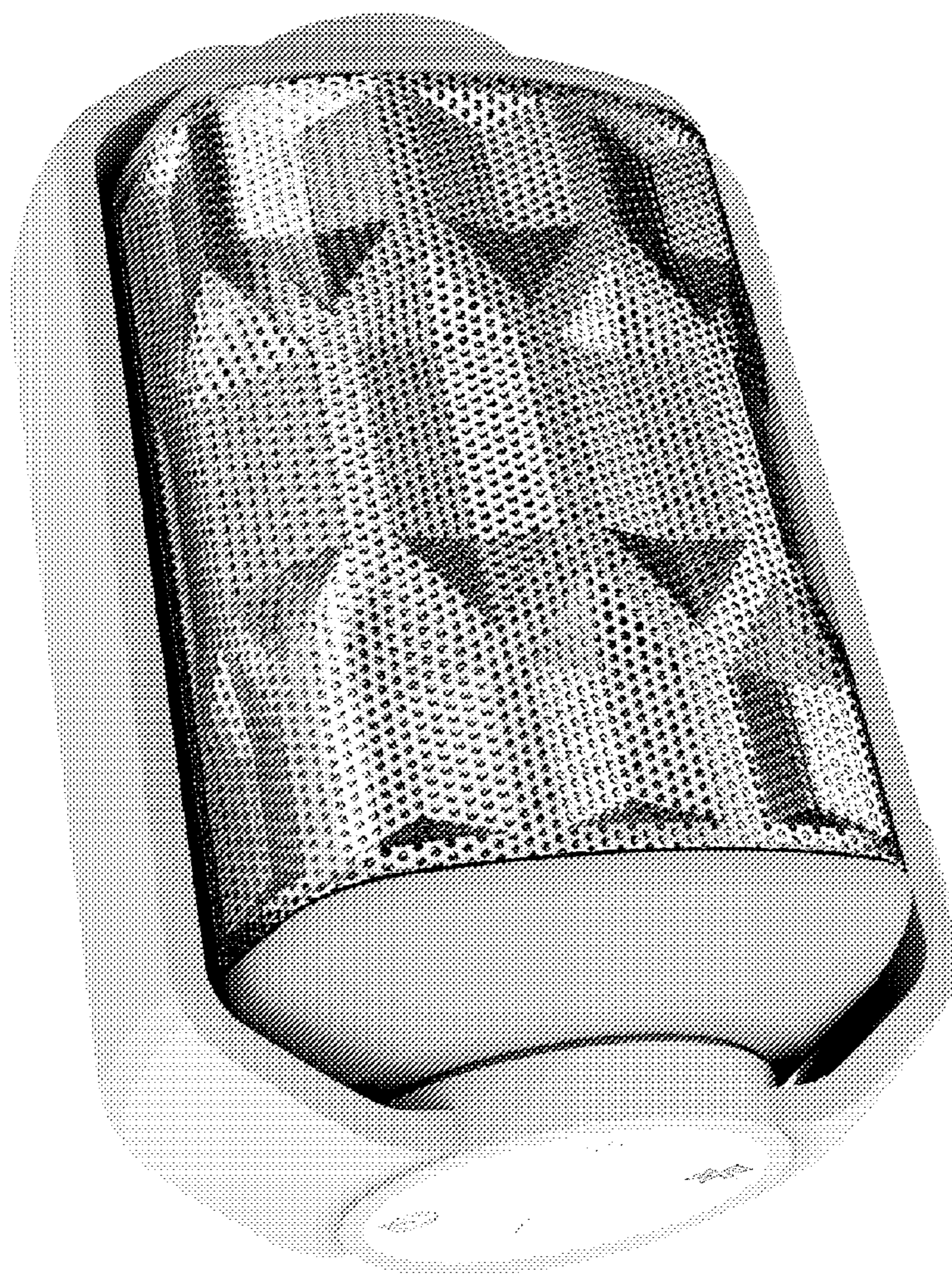


Fig. 9

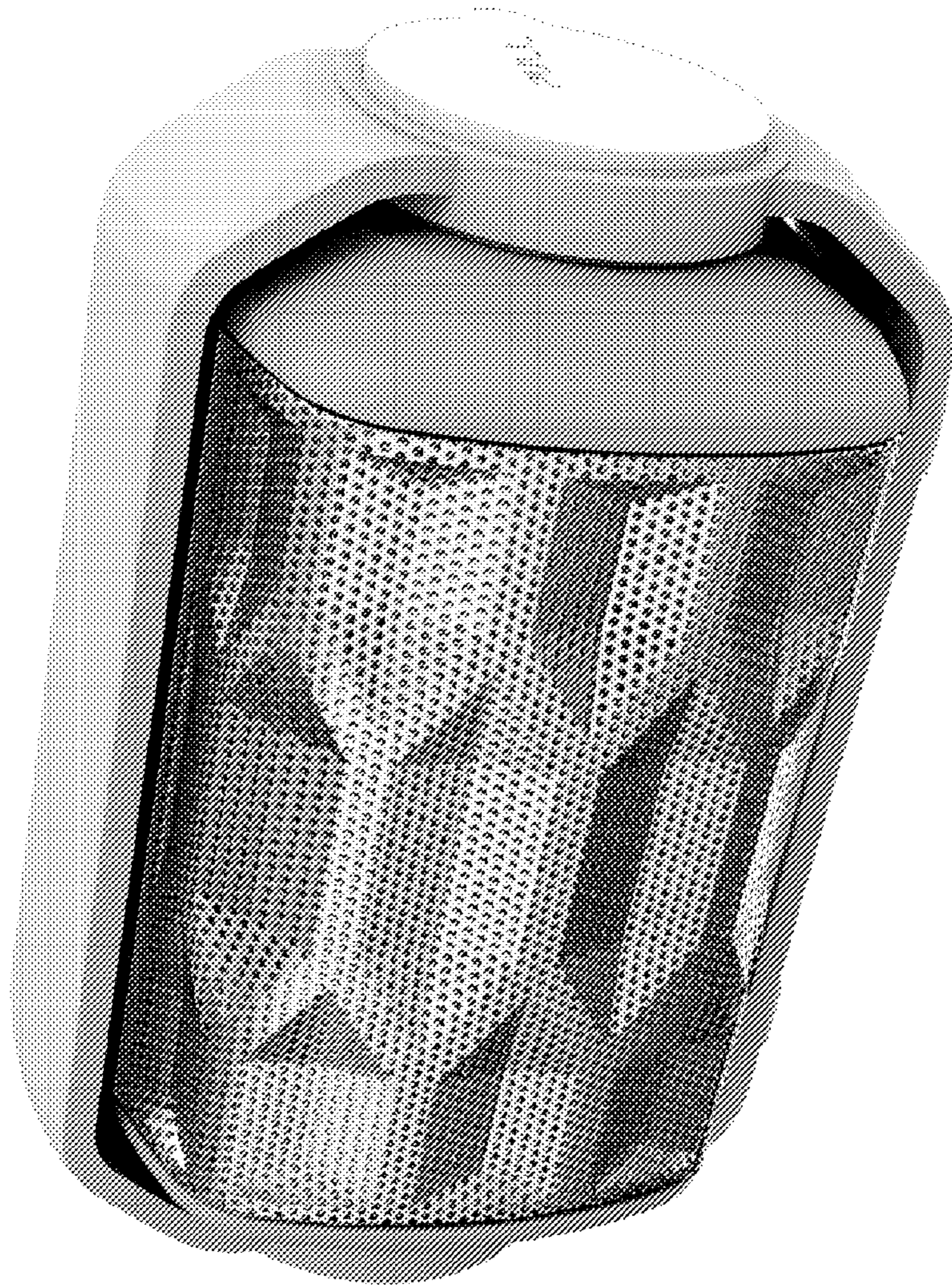


Fig. 10