



US00D741292S

(12) **United States Design Patent**  
**Paslawski**

(10) **Patent No.:** **US D741,292 S**

(45) **Date of Patent:** **\*\* Oct. 20, 2015**

(54) **AMP MINI SPEAKER**

(71) Applicant: **Positive Outcomes, Inc.**, Wildwood,  
MO (US)

(72) Inventor: **Ray N. Paslawski**, Wildwood, MO (US)

(73) Assignee: **Positive Outcomes, Inc.**, Wildwood,  
MO (US)

(\*\*) Term: **14 Years**

(21) Appl. No.: **29/486,082**

(22) Filed: **Mar. 26, 2014**

(51) **LOC (10) Cl.** ..... **14-03**

(52) **U.S. Cl.**  
USPC ..... **D14/214**

(58) **Field of Classification Search**  
USPC ..... D14/167, 168, 170–172, 188, 194–196,  
D14/204, 207, 209.1, 210–216, 219, 221,  
D14/222, 224, 496; 181/143, 144, 147, 148,  
181/150, 153, 157, 198, 199; 381/300–303,  
381/306, 332, 333, 336, 345, 361–364,  
381/386–388; 369/6–12  
CPC .... B60R 11/0217; G06F 1/1688; H04M 1/03;  
H04M 1/035; H04R 1/02; H04R 1/06; H04R  
1/021; H04R 1/025; H04R 1/026; H04R  
1/028; H04R 1/105; H04R 1/323; H04R  
1/403; H04R 1/2803; H04R 1/2834; H04R  
5/02; H04R 7/20; H04R 9/06; H04R 9/025;  
H04R 2201/021; H04R 2400/00; H04R  
2400/07; H04R 2499/11; H04R 2499/13;  
H04R 2499/15; H04S 3/00; H04S 7/30

See application file for complete search history.

(56) **References Cited**

U.S. PATENT DOCUMENTS

D209,288 S *	11/1967	Spranger .....	D14/196
D237,089 S *	10/1975	Walker .....	D14/196
D239,012 S *	3/1976	Ross .....	D14/195
D410,465 S *	6/1999	Johnson et al. ....	D14/188
D546,814 S *	7/2007	Takita et al. ....	D14/168
D561,169 S *	2/2008	Failla et al. ....	D14/195
D689,462 S *	9/2013	Quilter .....	D14/197

\* cited by examiner

*Primary Examiner* — Keli L Hill

(74) *Attorney, Agent, or Firm* — Polster, Lieder, Woodruff &  
Lucchesi, L.C.

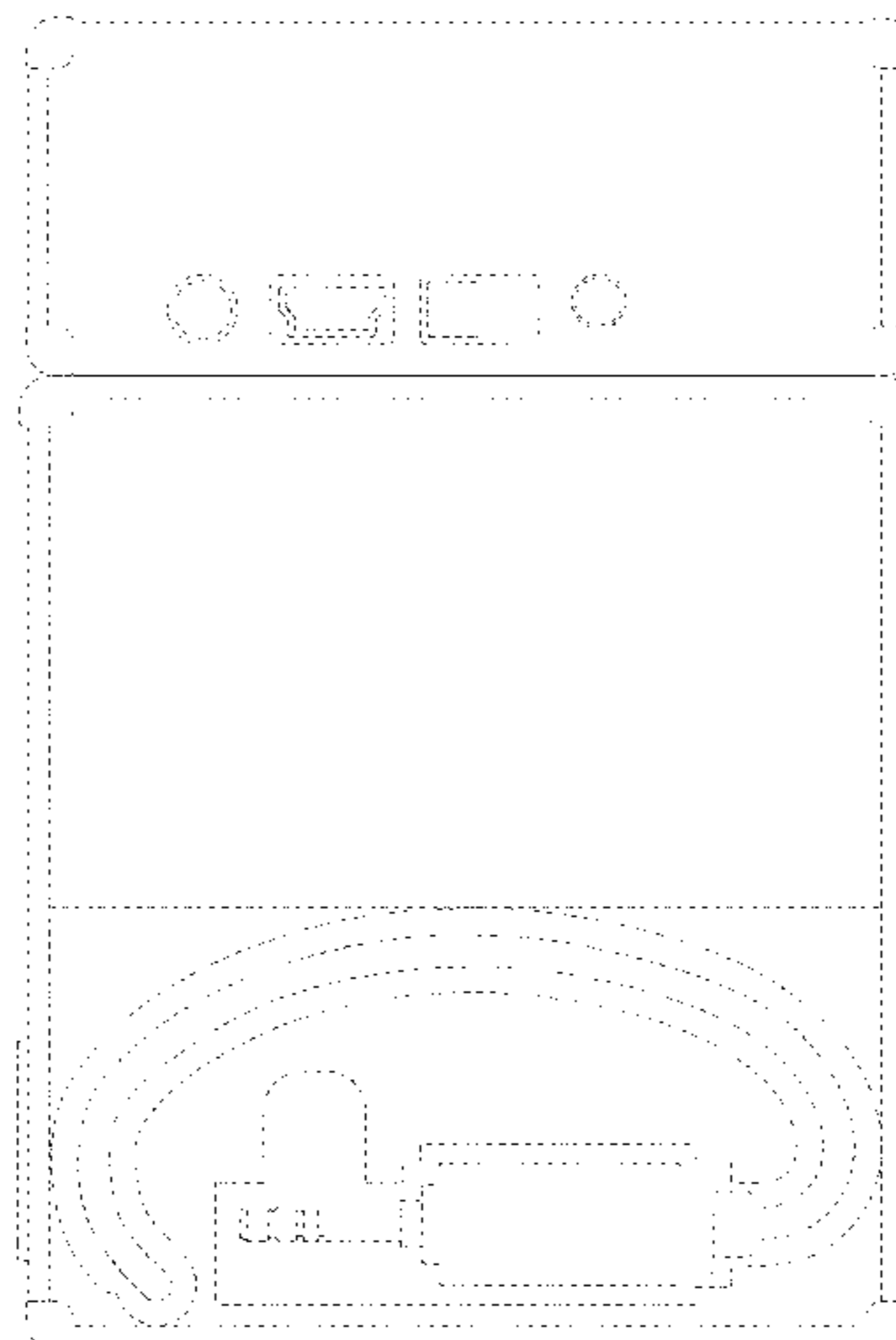
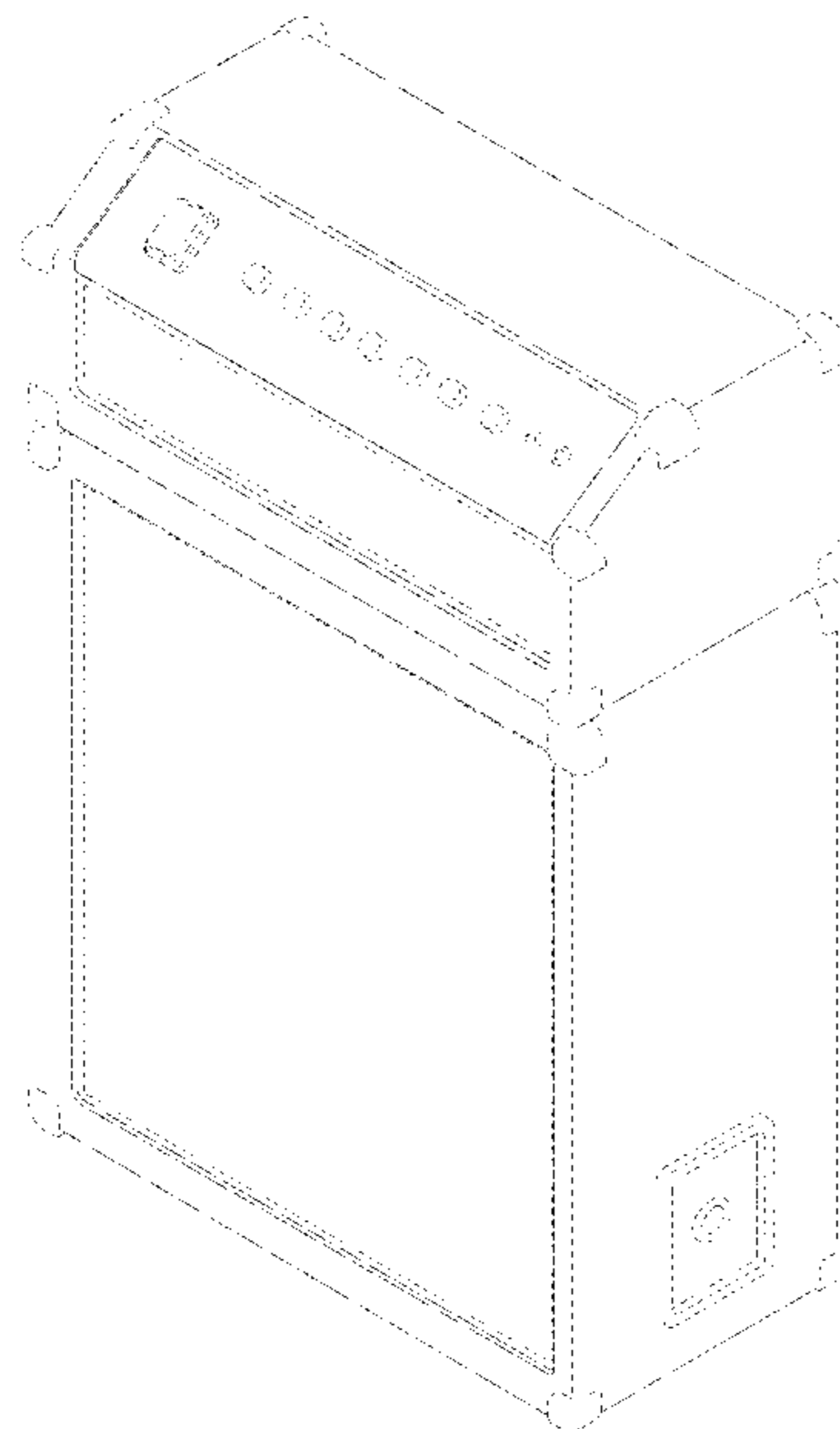
(57) **CLAIM**

The ornamental design for a amp mini speaker, as shown and  
described.

**DESCRIPTION**

FIG. 1 is a perspective view of an amp mini speaker according  
to an embodiment of the present invention;  
FIG. 2 is a front view of the amp mini speaker according to an  
embodiment of the present invention;  
FIG. 3 is a rear view of the amp mini speaker according to an  
embodiment of the present invention;  
FIG. 4 is a top view of the amp mini speaker according to an  
embodiment of the present invention;  
FIG. 5 is a bottom view of the amp mini speaker according to  
an embodiment of the present invention;  
FIG. 6 is a right side view of the amp mini speaker according  
to an embodiment of the present invention; and,  
FIG. 7 is a left side view of the amp mini speaker according to  
an embodiment of the present invention.  
The broken lines shown are included for the purpose of illus-  
trating portions of the amp mini speaker that form no part of  
the claim.

**1 Claim, 7 Drawing Sheets**



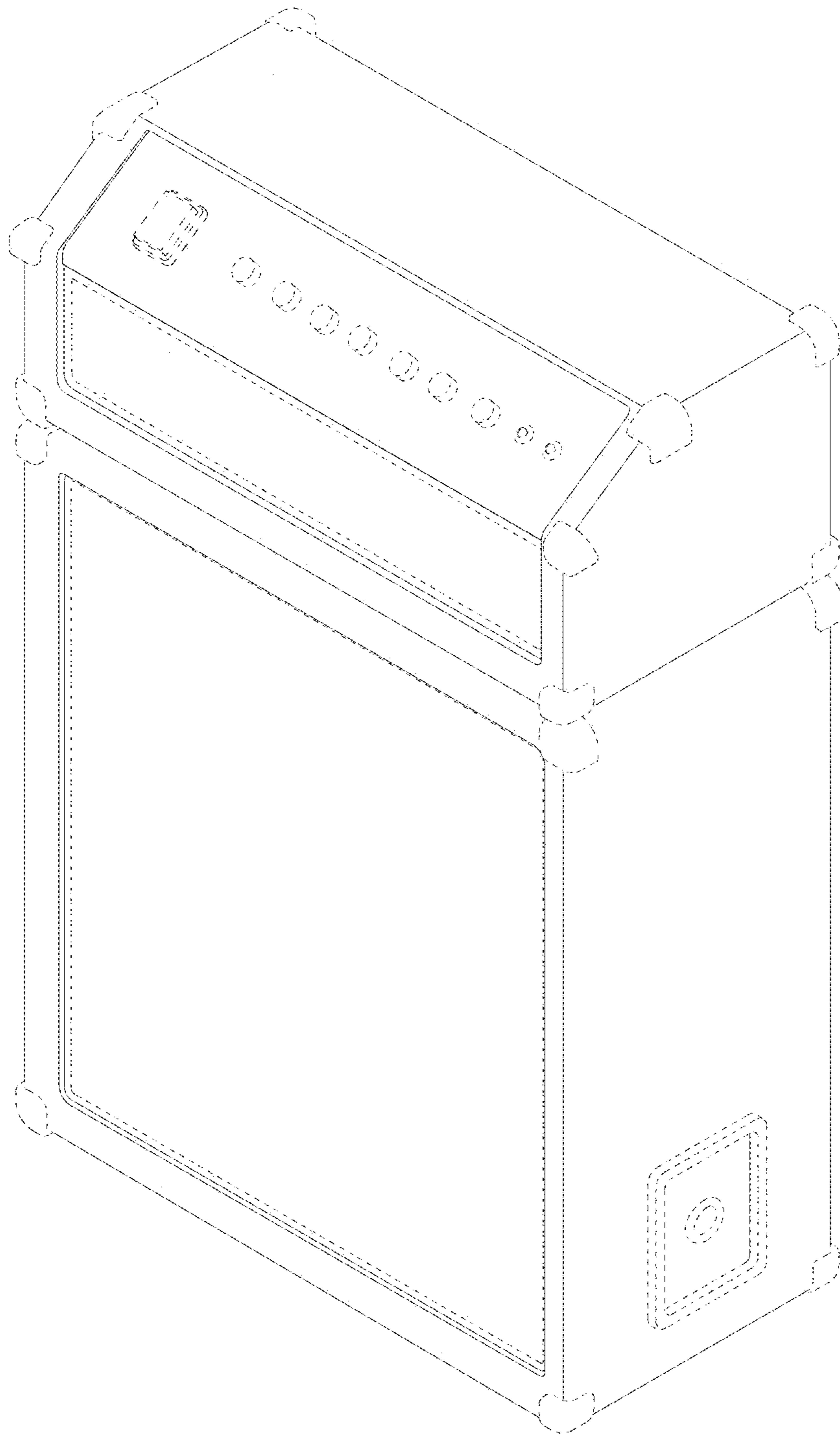


Fig. 1

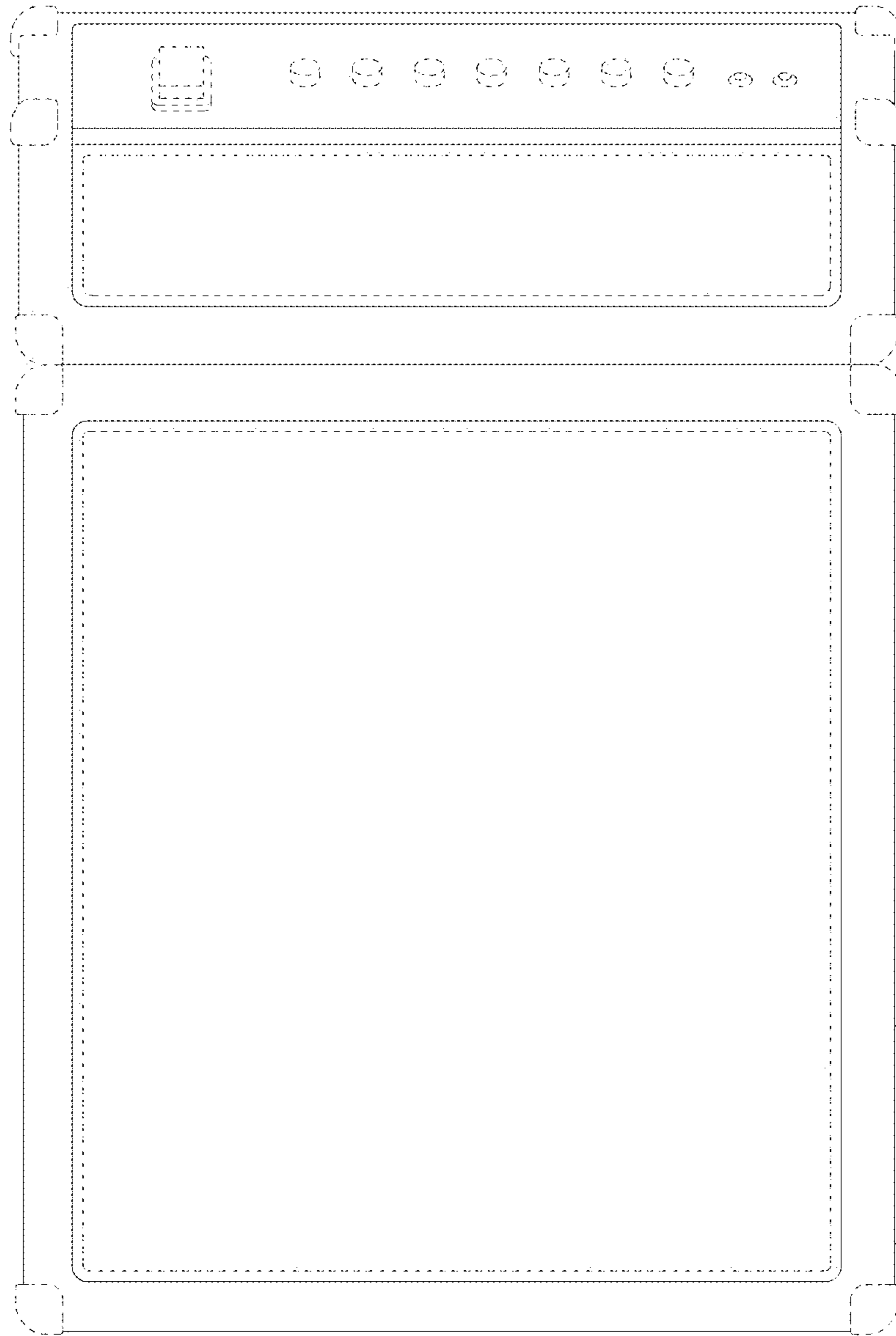


Fig. 2

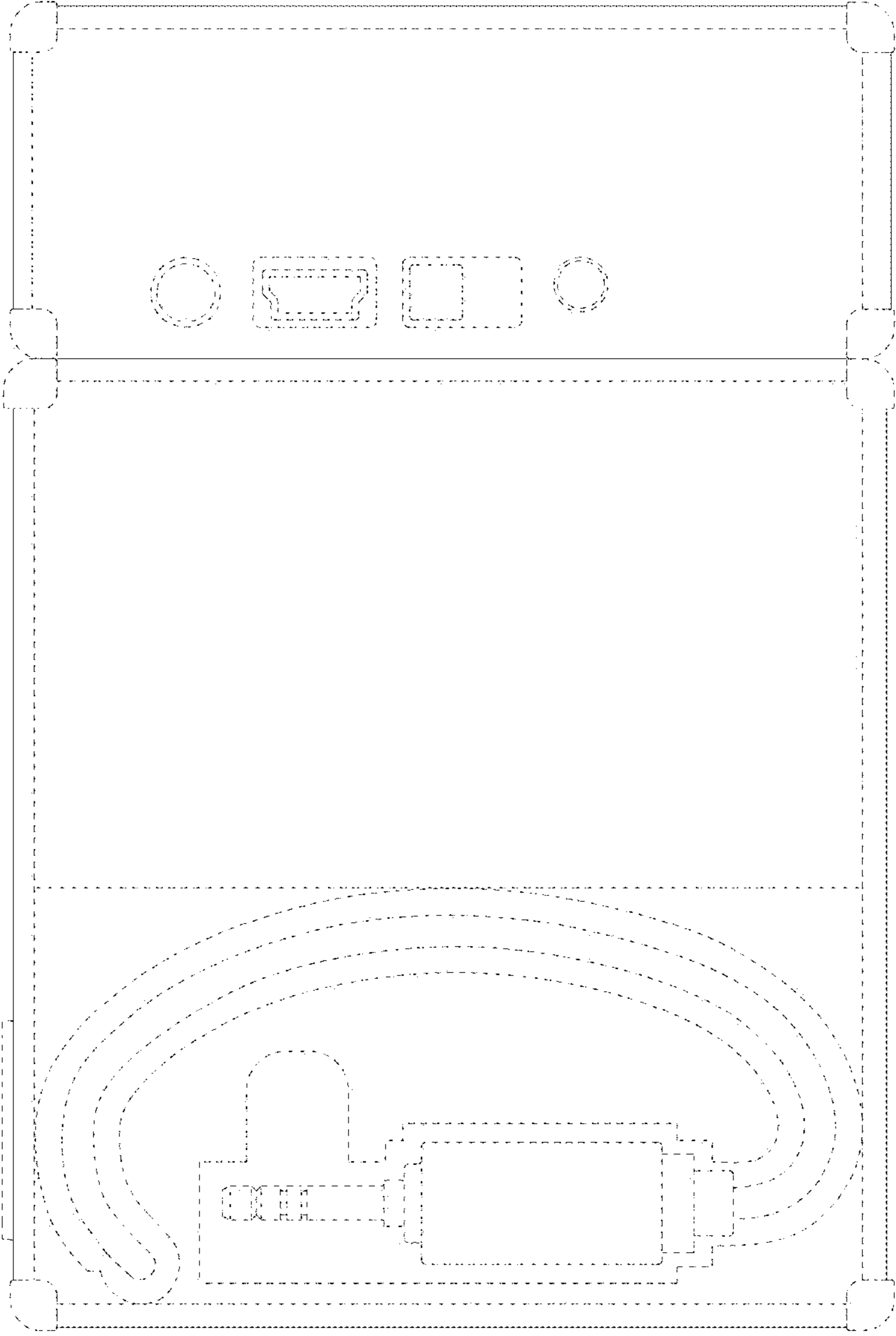


Fig. 3

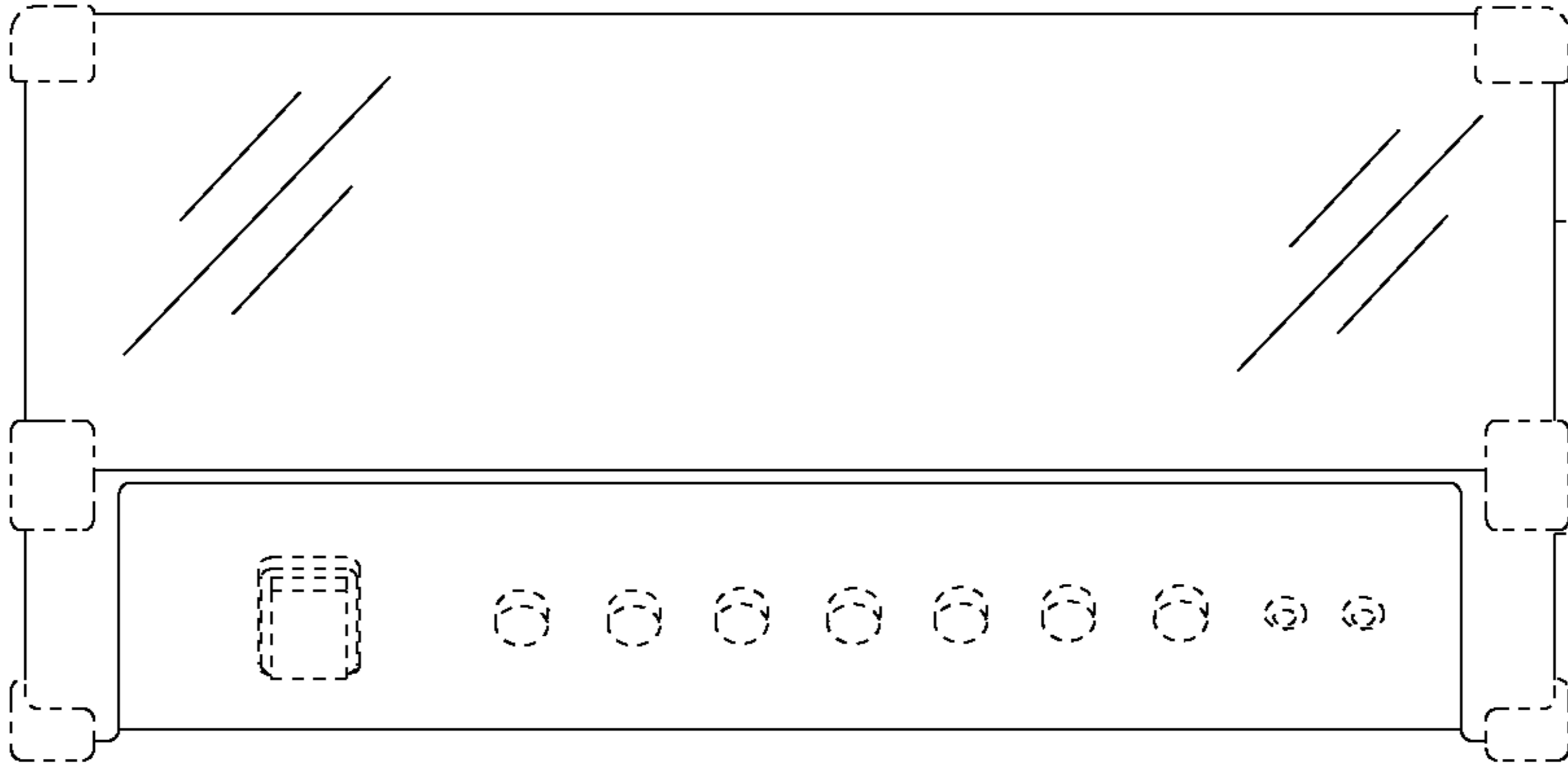


Fig. 4

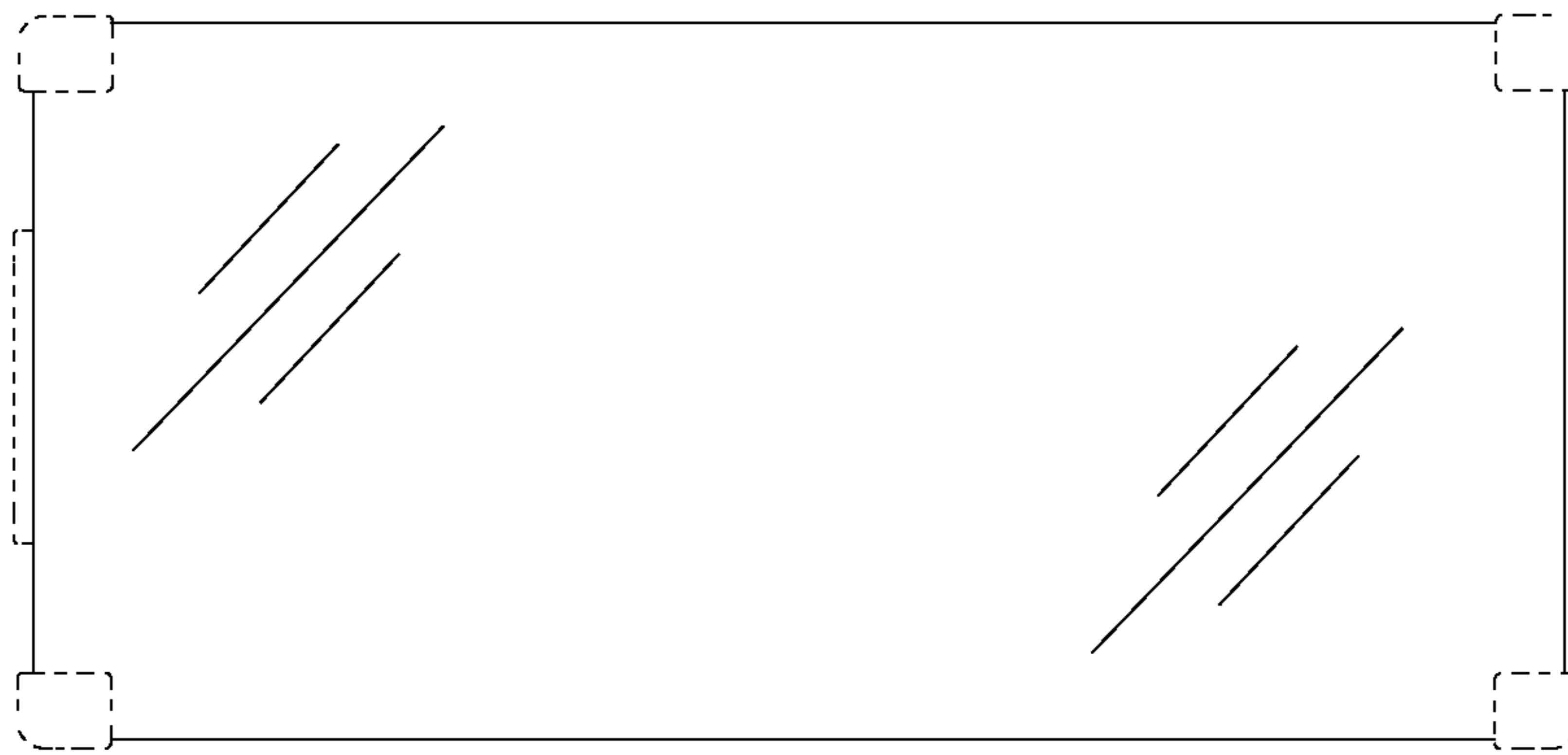


Fig. 5

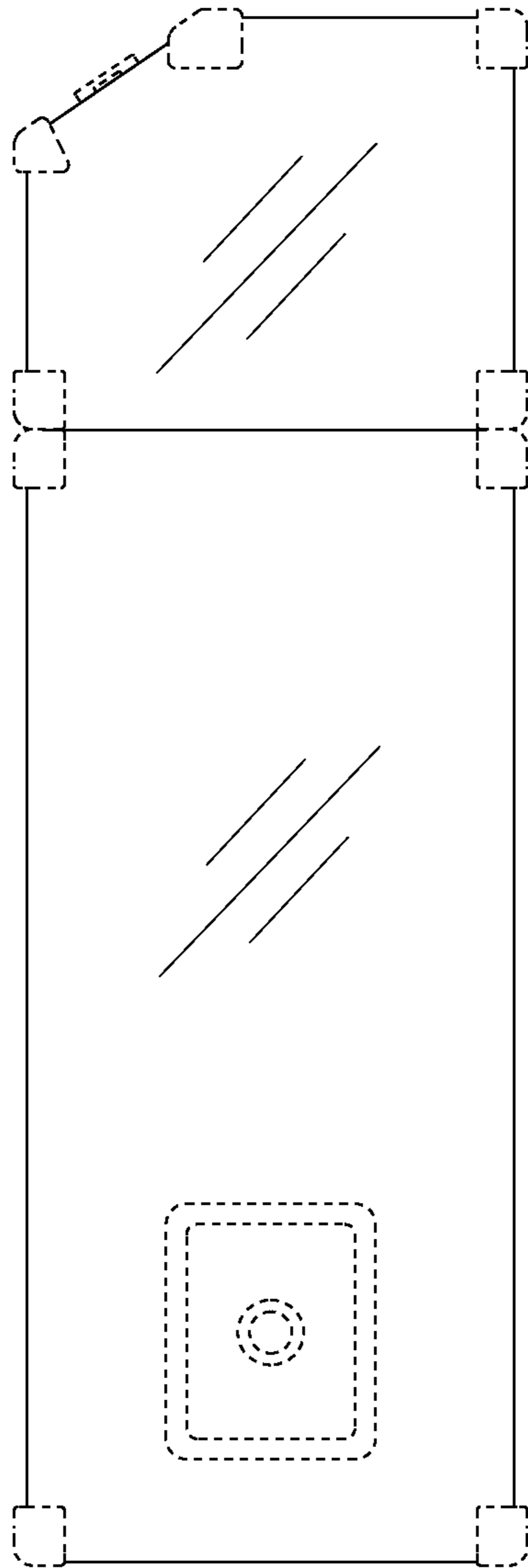


Fig. 6

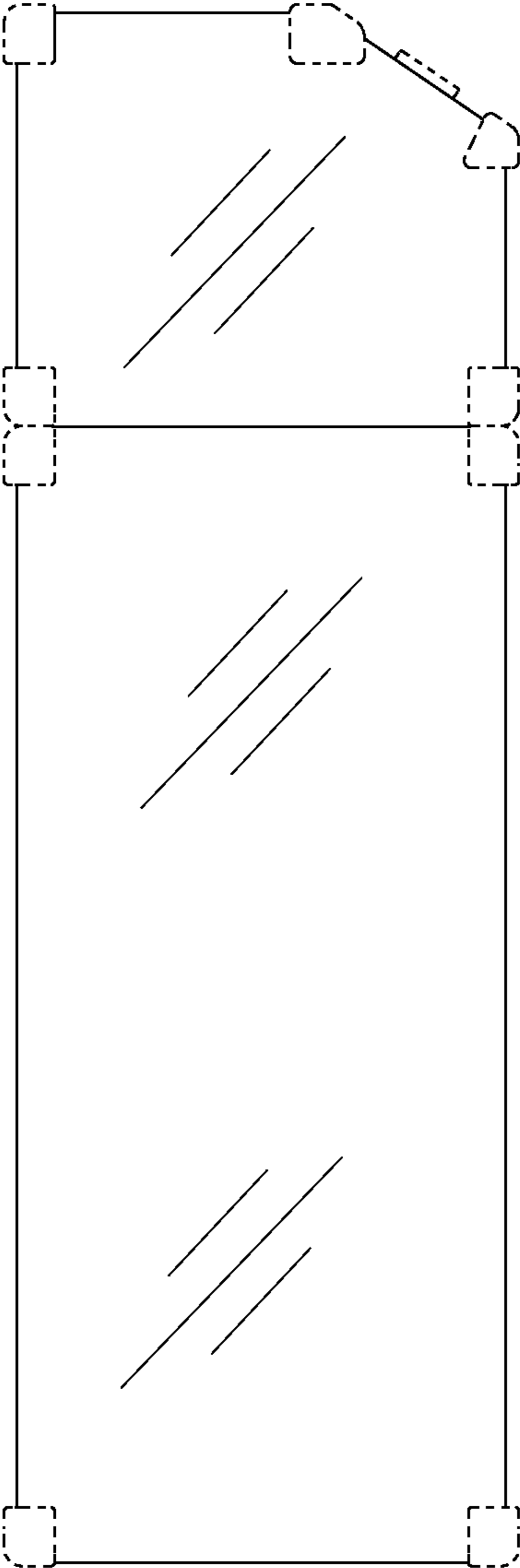


Fig. 7