



US00D741291S

(12) **United States Design Patent**  
**Fujioka**

(10) **Patent No.:** **US D741,291 S**

(45) **Date of Patent:** **\*\* Oct. 20, 2015**

(54) **T-STAND SPEAKER MOUNTING ACCESSORY**

(56) **References Cited**

U.S. PATENT DOCUMENTS

(71) Applicant: **Robb Fujioka**, Manhattan Beach, CA (US)

4,139,734	A *	2/1979	Fincham	381/335
4,267,405	A *	5/1981	Russell	381/305
5,595,312	A *	1/1997	Dardashti	211/188
5,802,190	A *	9/1998	Ferren	381/182
D468,147	S *	1/2003	Werner	D6/629
7,237,648	B2 *	7/2007	Lee et al.	181/199
D610,570	S *	2/2010	Upham et al.	D14/209.1
7,895,783	B1 *	3/2011	Espejo	40/606.19
D683,330	S *	5/2013	Ryu et al.	D14/209.1
D700,065	S *	2/2014	Owens	D9/707
D712,929	S *	9/2014	Akana et al.	D14/496

(72) Inventor: **Robb Fujioka**, Manhattan Beach, CA (US)

(73) Assignee: **Fuhu, Inc.**, El Segundo, CA (US)

(\*\*) Term: **14 Years**

\* cited by examiner

(21) Appl. No.: **29/487,686**

*Primary Examiner* — Prabhakar Deshmukh

(22) Filed: **Apr. 10, 2014**

(74) *Attorney, Agent, or Firm* — Steptoe & Johnson LLP

(51) **LOC (10) Cl.** ..... **14-01**

(57) **CLAIM**

(52) **U.S. Cl.**

The ornamental design for a T-stand speaker mounting accessory, as shown and described.

USPC ..... **D14/209.1**

**DESCRIPTION**

(58) **Field of Classification Search**

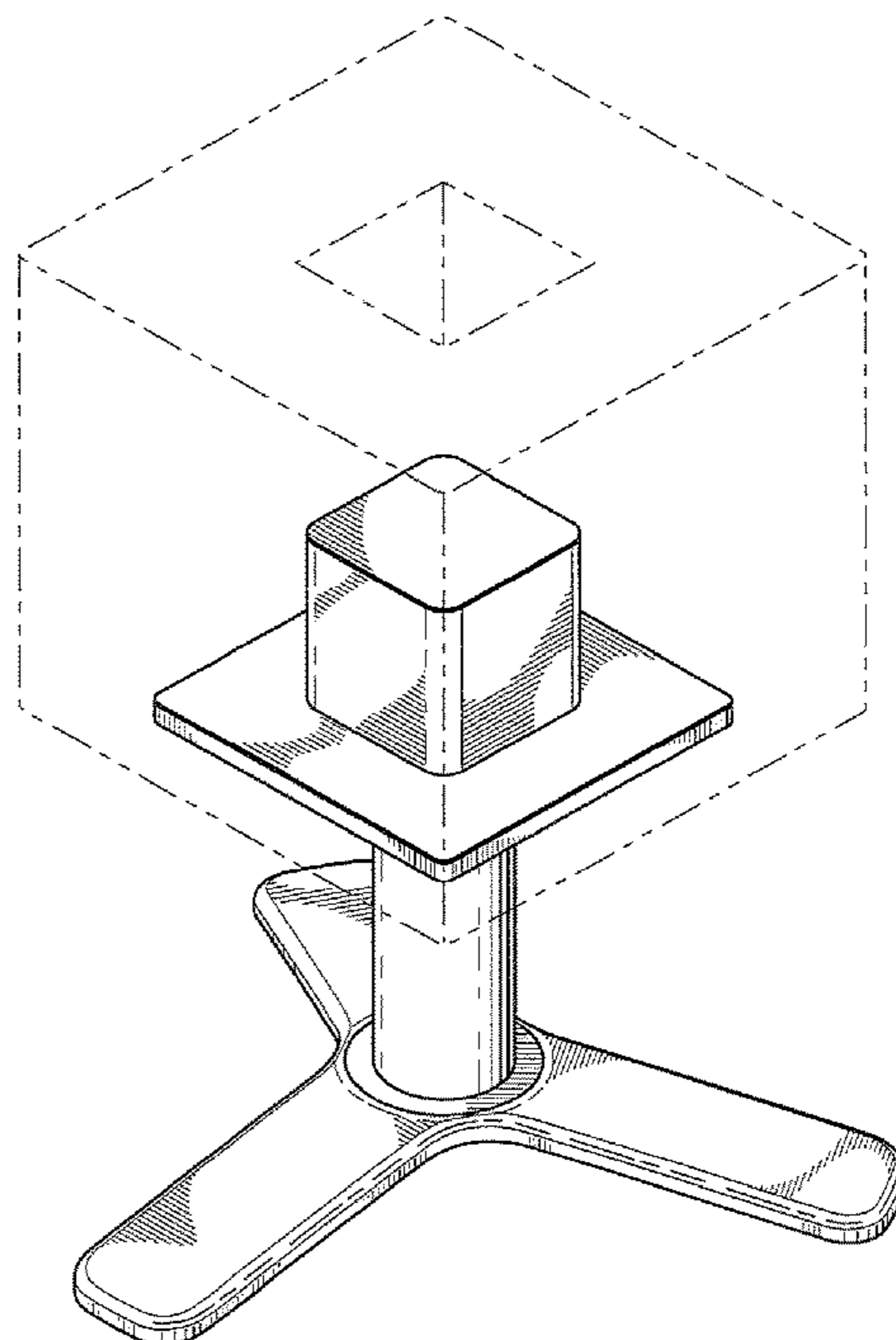
USPC ..... D14/204, 209.1, 211, 217, 221, 224, D14/224.1, 225, 227, 228; 181/143, 147, 181/148, 150, 153, 157, 198, 199, 166, 181/144; 381/300–303, 306, 332, 333, 336, 381/345, 361–364, 370, 386–388; D6/350, D6/351, 674, 675.3, 648, 682

CPC ..... H04R 9/06; H04R 1/24; H04R 11/02; H04R 2400/00

FIG. 1 is a top, rear, left side perspective view of a T-stand speaker mounting accessory showing my new design; FIG. 2 is a front elevation view thereof; FIG. 3 is a rear elevation view thereof; FIG. 4 is a right side elevation view thereof, the left side elevation view being a mirror image; FIG. 5 is a top plan view thereof; and, FIG. 6 is a bottom plan view thereof. The broken lines environment in FIG. 1 forms no part of the claimed design.

See application file for complete search history.

**1 Claim, 3 Drawing Sheets**



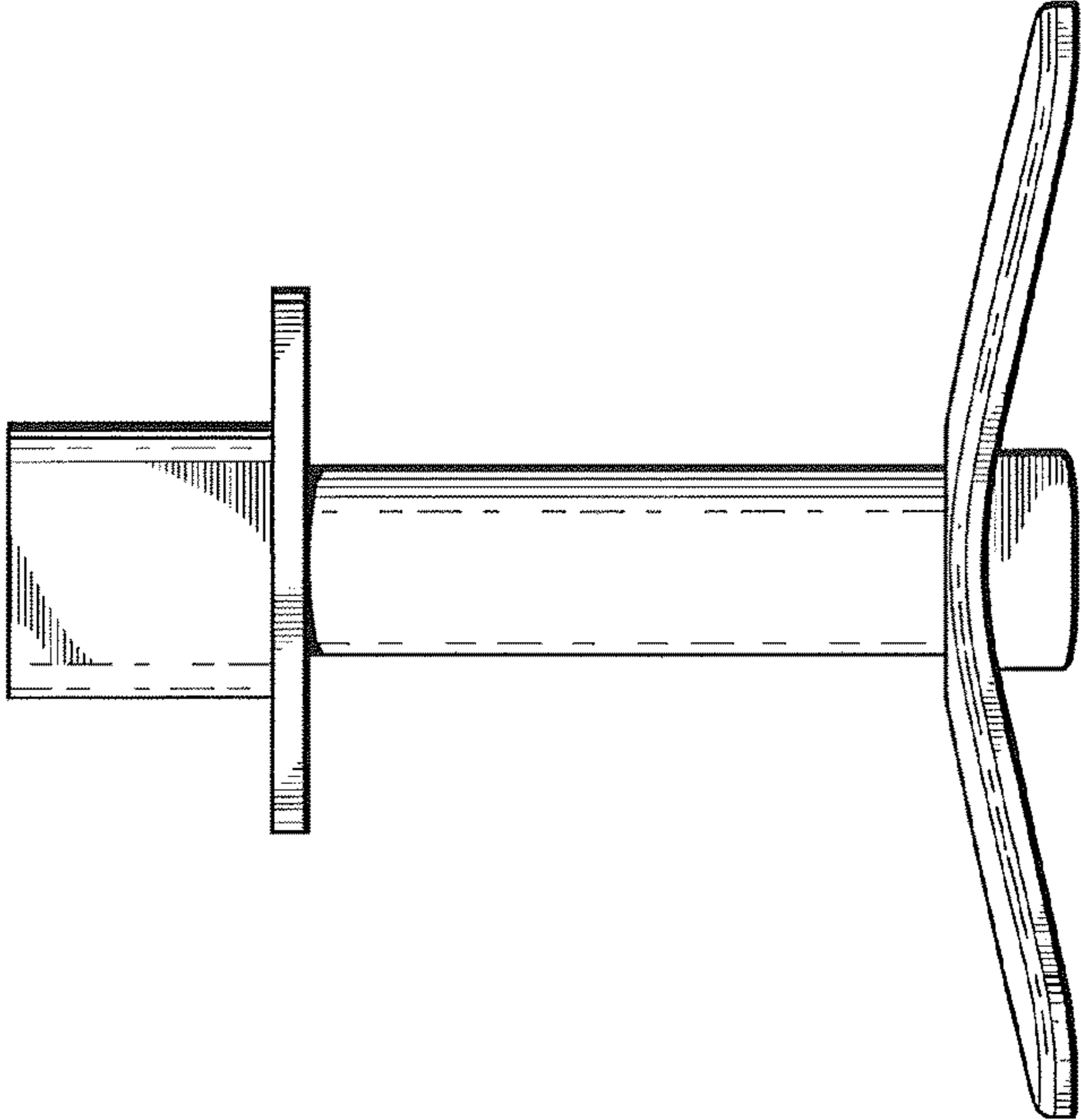


FIG. 2

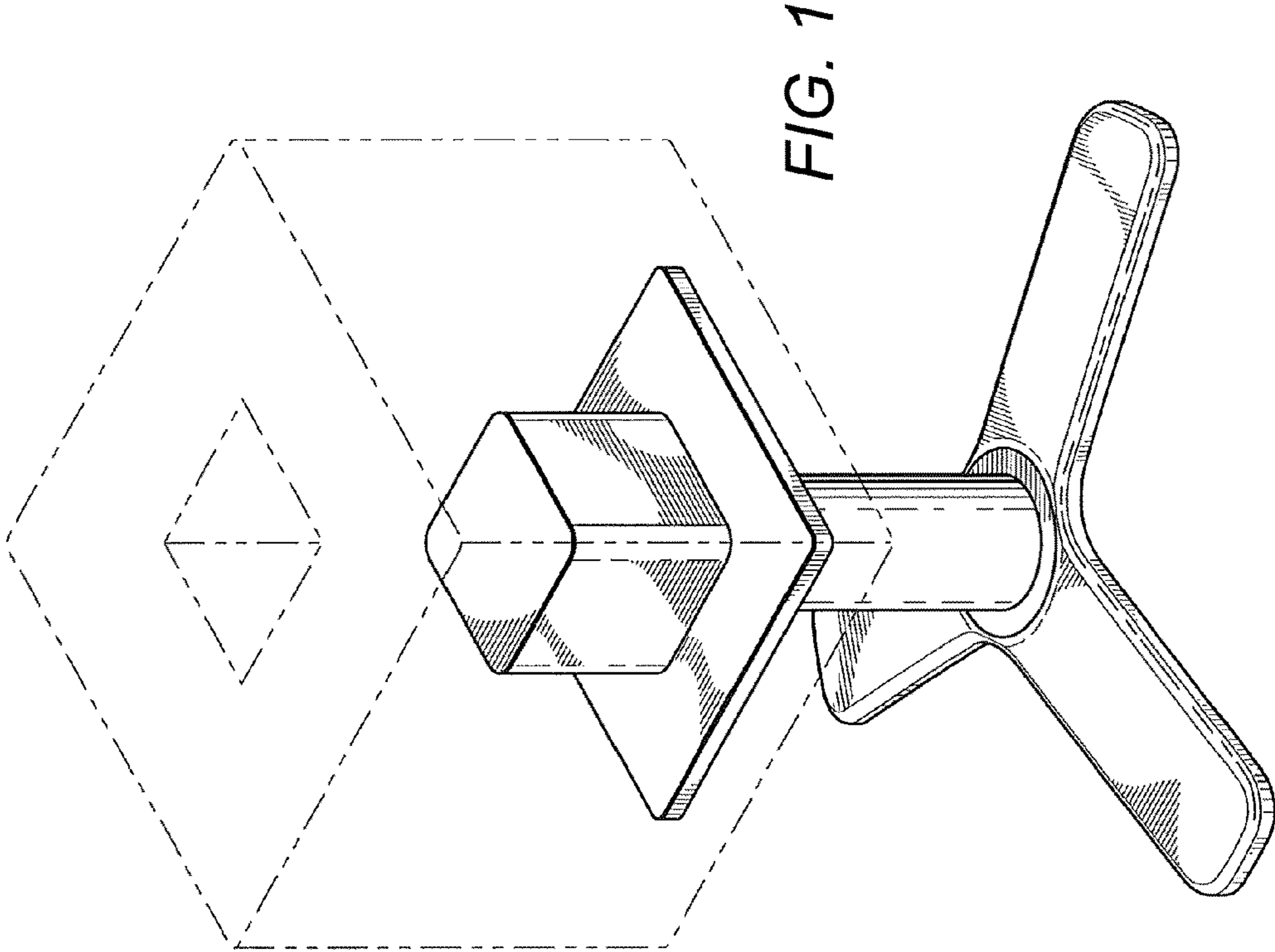
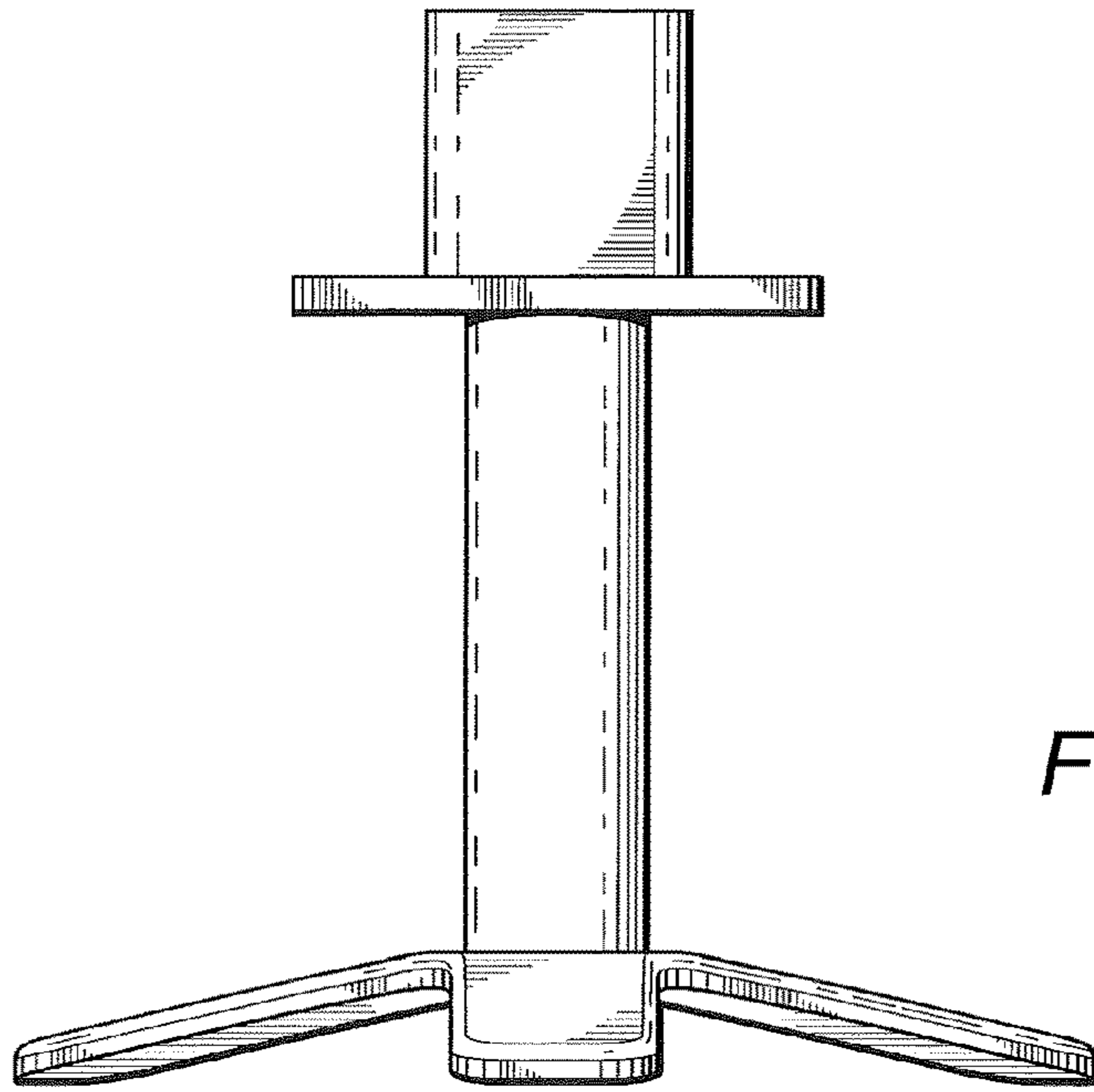
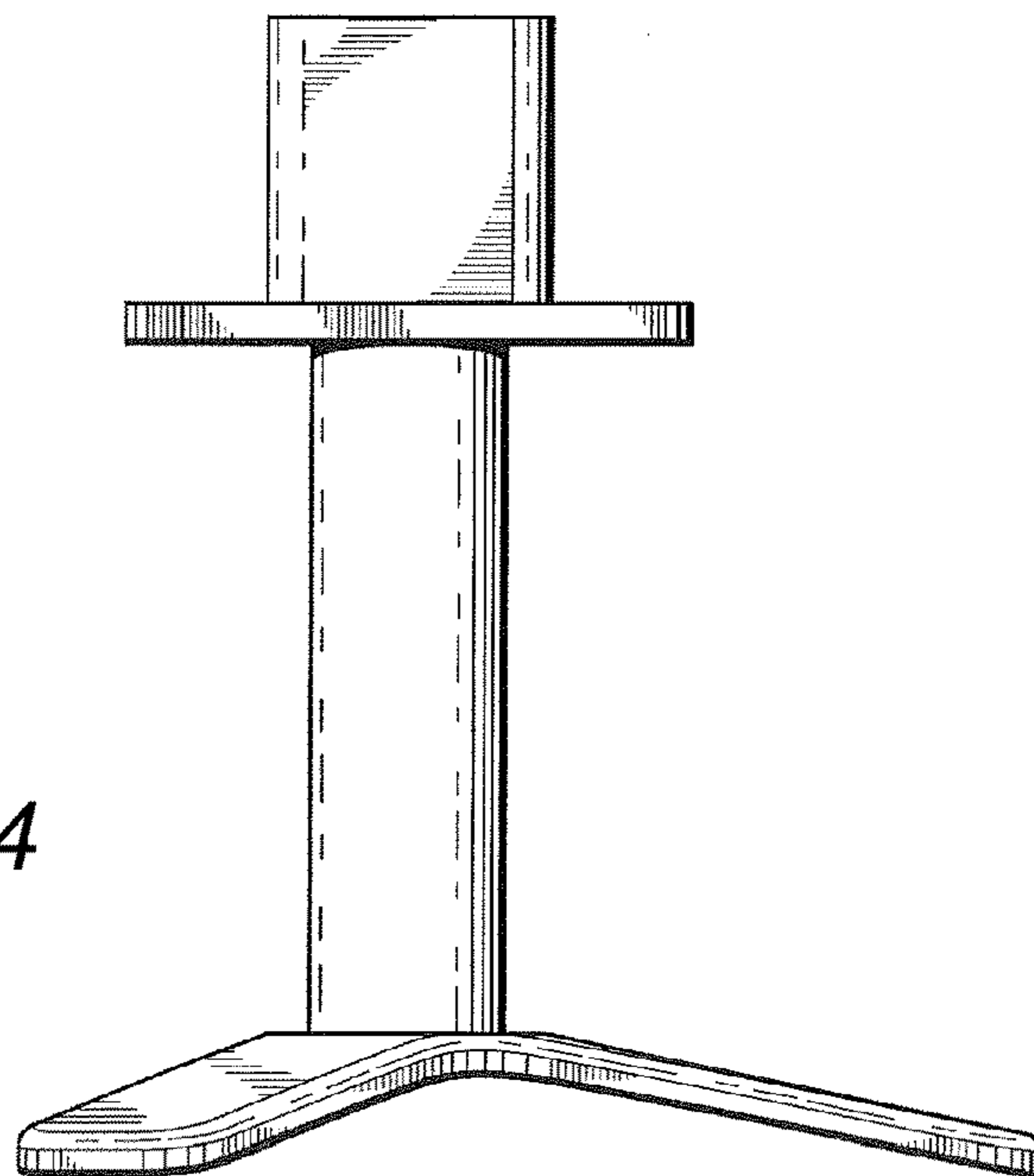


FIG. 1



*FIG. 3*



*FIG. 4*

