



US00D741290S

(12) **United States Design Patent**
Schaal et al.

(10) **Patent No.:** **US D741,290 S**
(45) **Date of Patent:** **** Oct. 20, 2015**

(54) **HEADPHONE HEADBAND**

(71) Applicant: **Bose Corporation**, Framingham, MA (US)

(72) Inventors: **Nathan David Schaal**, Cambridge, MA (US); **Adam A. Carr**, Southborough, MA (US); **Joshua Kevin Dryden**, Marlborough, MA (US); **Kenneth D. Gagnon**, Westminister, MA (US); **Kevin M. Krauss**, Sudbury, MA (US); **Michael E. Laude**, Upton, MA (US); **Tristan Edward Taylor**, Boston, MA (US); **Julie E. Tierney**, Shrewsbury, MA (US)

(73) Assignee: **Bose Corporation**, Framingham, MA (US)

(**) Term: **14 Years**

(21) Appl. No.: **29/504,051**

(22) Filed: **Oct. 1, 2014**

Related U.S. Application Data

(62) Division of application No. 29/475,709, filed on Dec. 5, 2013, now Pat. No. Des. 719,136.

(51) **LOC (10) Cl.** **14-01**

(52) **U.S. Cl.**
USPC **D14/205**

(58) **Field of Classification Search**
USPC D14/205; D29/112; 2/209; 181/129, 181/130, 135; 379/430, 431; 381/380, 381, 381/370, 374, 377, 378, 379, 383
CPC H04R 1/1066
See application file for complete search history.

(56) **References Cited**

U.S. PATENT DOCUMENTS

D328,074 S * 7/1992 Yamazaki et al. D14/205
6,654,966 B2 * 12/2003 Rolla 2/209

D512,708	S *	12/2005	Harris et al.	D14/205
6,993,143	B2 *	1/2006	Harris et al.	381/379
D538,261	S *	3/2007	Taylor et al.	D14/205
D541,255	S *	4/2007	Taylor et al.	D14/205
D563,382	S *	3/2008	Wikel	D14/205
D573,581	S *	7/2008	Gondo et al.	D14/205
D585,871	S *	2/2009	Lee	D14/205
D588,100	S *	3/2009	Densho et al.	D14/205
D594,847	S *	6/2009	Suzuki	D14/205
D597,070	S *	7/2009	Zheng	D14/205
D600,674	S *	9/2009	Brennwald	D14/205
D625,705	S *	10/2010	Ohuri et al.	D14/205
D637,579	S *	5/2011	Hamaura et al.	D14/205
D639,775	S *	6/2011	Horibe et al.	D14/205
8,098,872	B2 *	1/2012	Chang	381/371
D657,346	S *	4/2012	Park	D14/205

(Continued)

Primary Examiner — Paula Greene

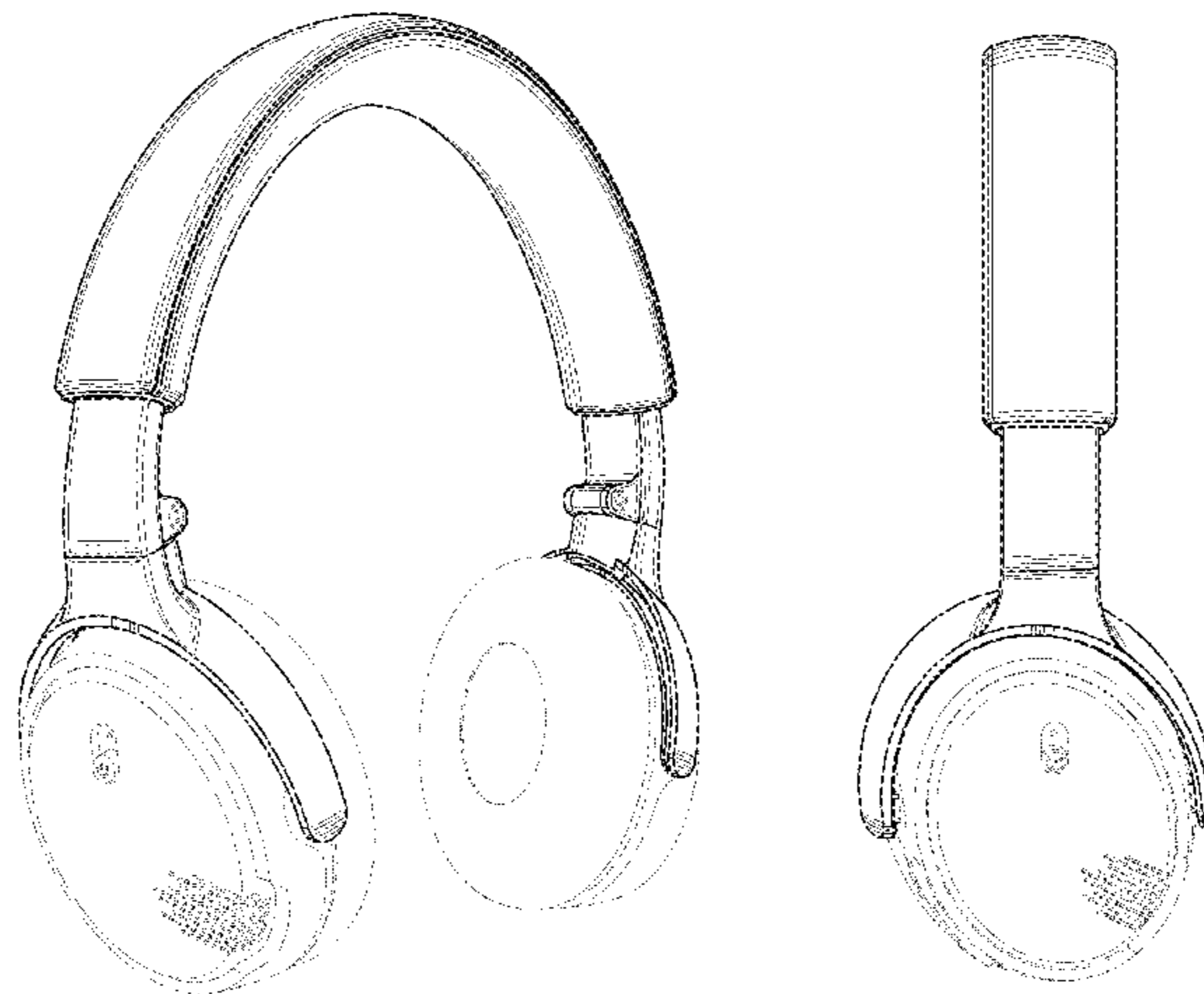
(57) **CLAIM**

The ornamental design for a headphone headband, substantially as shown and described.

DESCRIPTION

FIG. 1 is a perspective view of a headphone headband as seen from the front and left side;
FIG. 2 is a perspective view thereof as seen from the front and right side;
FIG. 3 is a front view thereof;
FIG. 4 is a back view thereof;
FIG. 5 is a left side view thereof;
FIG. 6 is a right side view thereof;
FIG. 7 is a perspective view thereof as seen from the left side and bottom;
FIG. 8 is a perspective view thereof as seen from the right side and bottom;
FIG. 9 is a top end view thereof; and,
FIG. 10 is a bottom end view thereof.
The dotted line portions of the drawings represent environmental structure only and do not form part of the claimed design.

1 Claim, 10 Drawing Sheets



US D741,290 S

Page 2

(56)

References Cited

U.S. PATENT DOCUMENTS

D662,080 S * 6/2012 Carr et al. D14/205
D665,775 S * 8/2012 Katsumata D14/205
D683,327 S * 5/2013 Dougherty D14/205

D706,240 S * 6/2014 Szymanski et al. D14/205
D706,241 S * 6/2014 Szymanski et al. D14/205
8,755,555 B2 * 6/2014 Dougherty et al. 381/378
D719,136 S * 12/2014 Schaal et al. D14/206
D721,052 S * 1/2015 Carr et al. D14/205

* cited by examiner

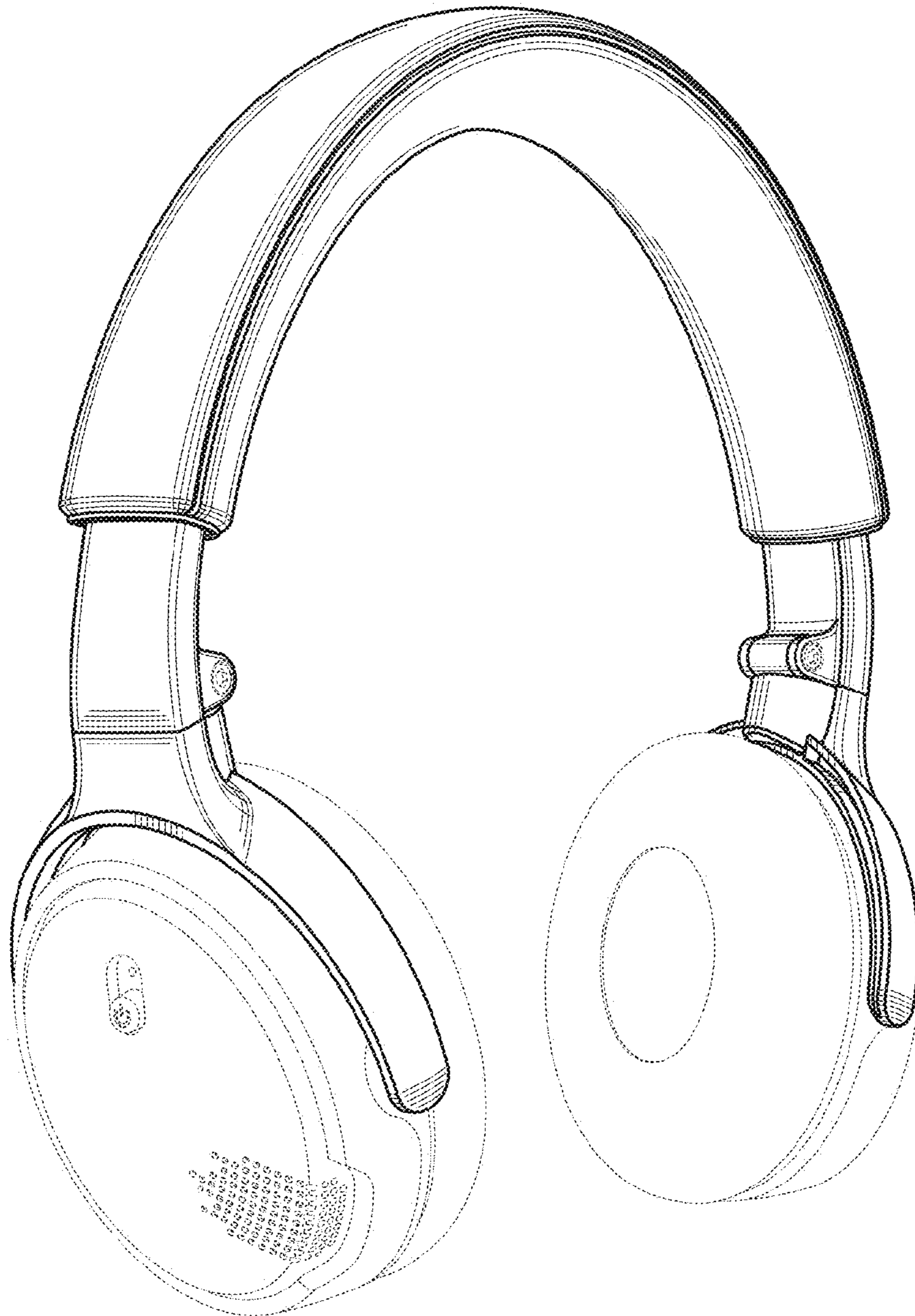


FIG. 1

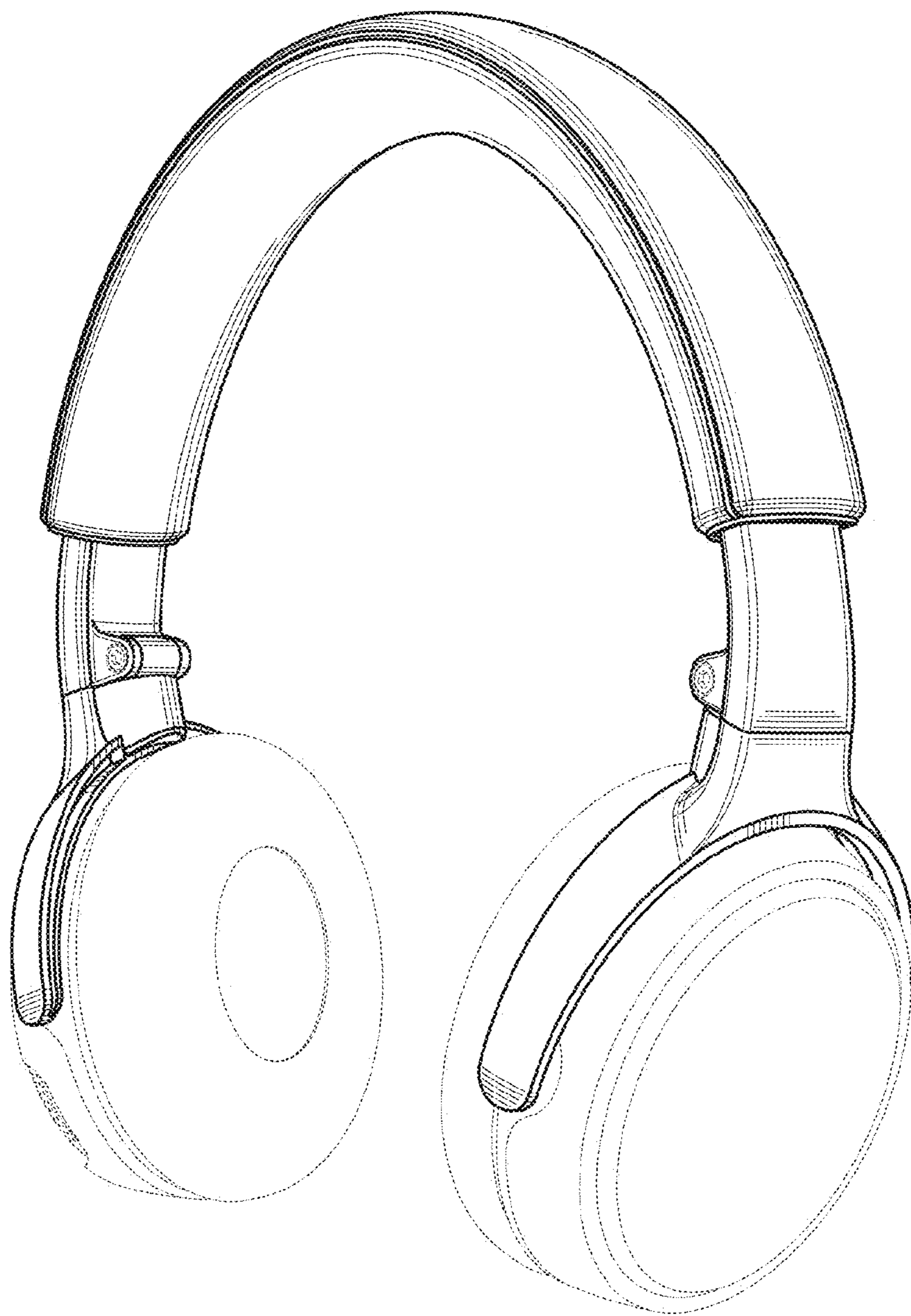


FIG. 2



FIG. 3



FIG. 4

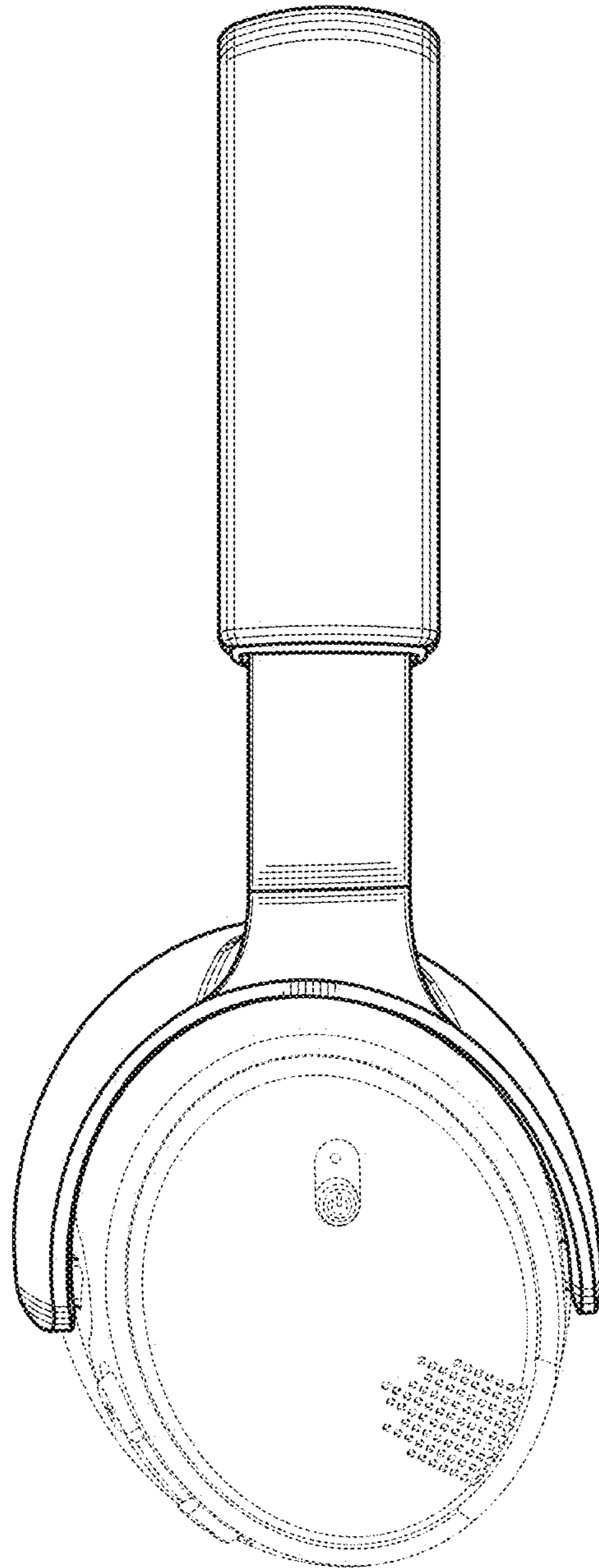


FIG. 5

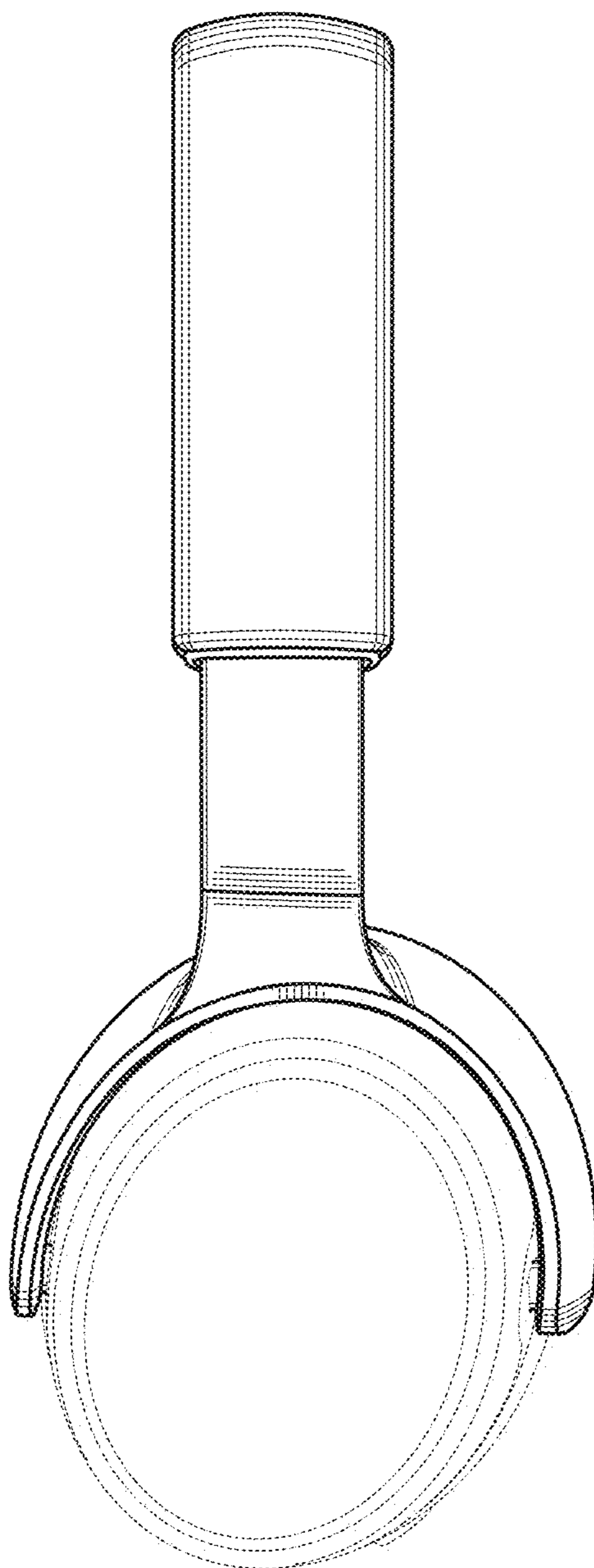


FIG. 6

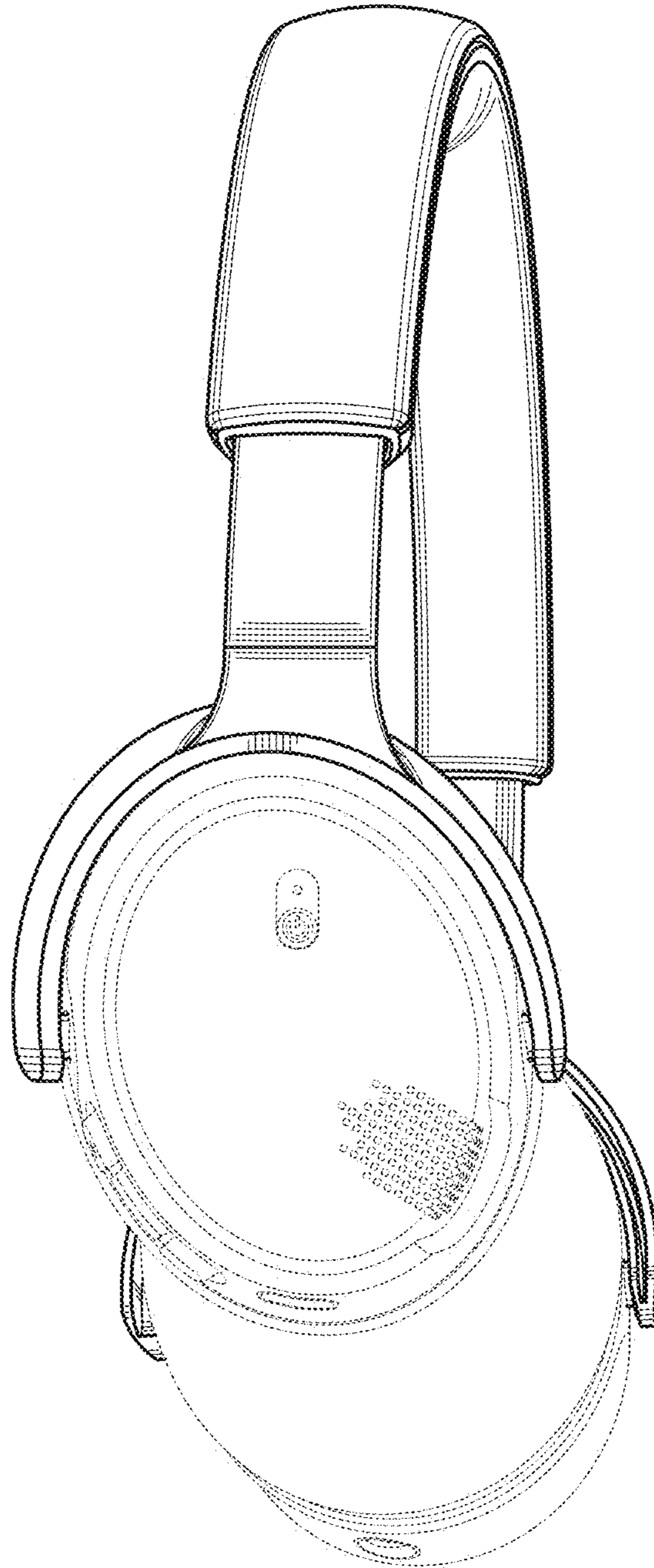


FIG. 7

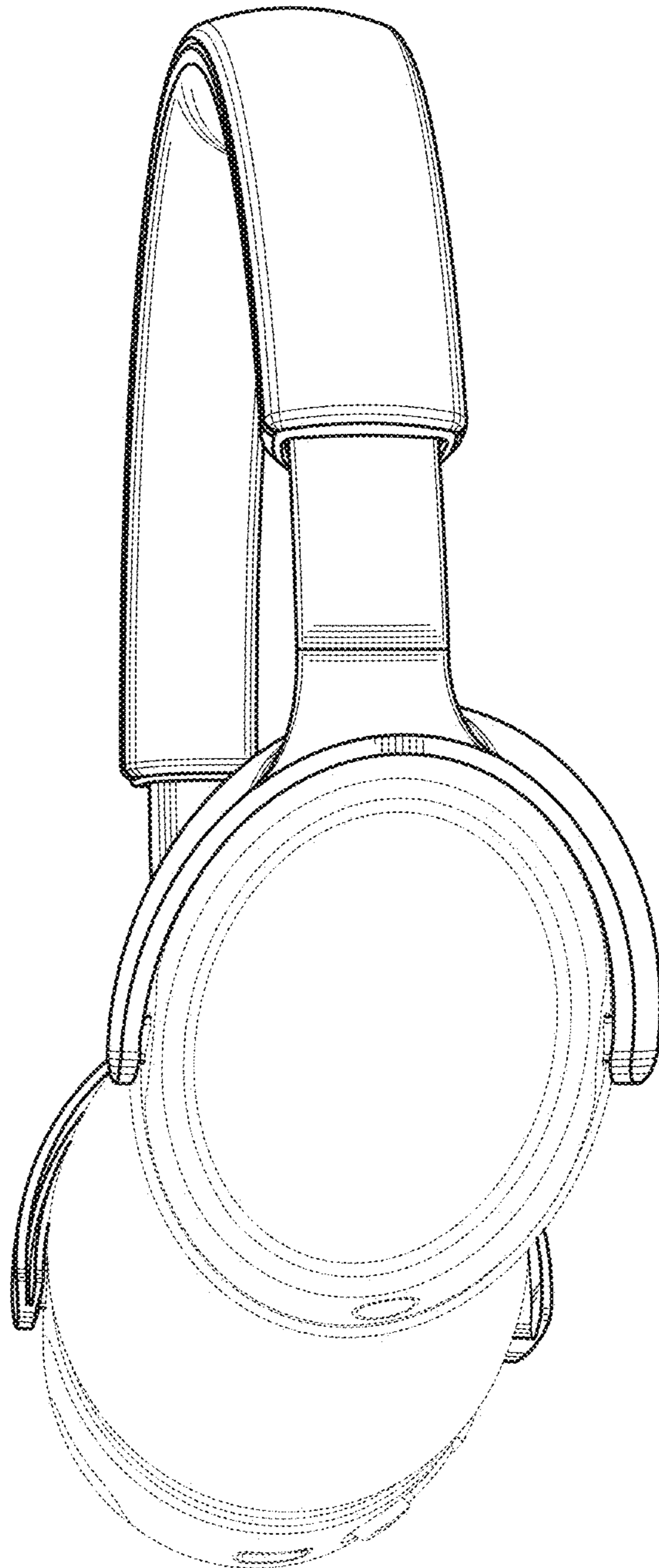


FIG. 8

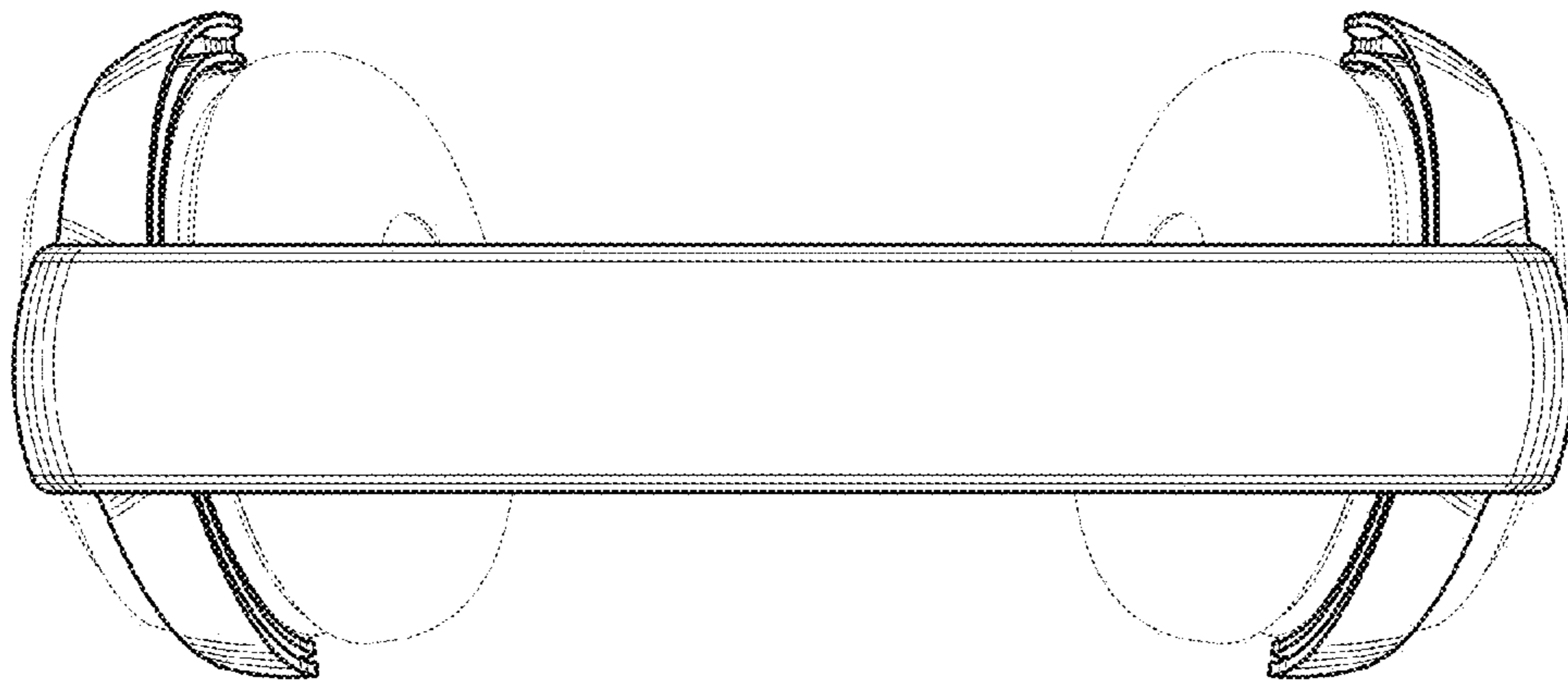


FIG. 9

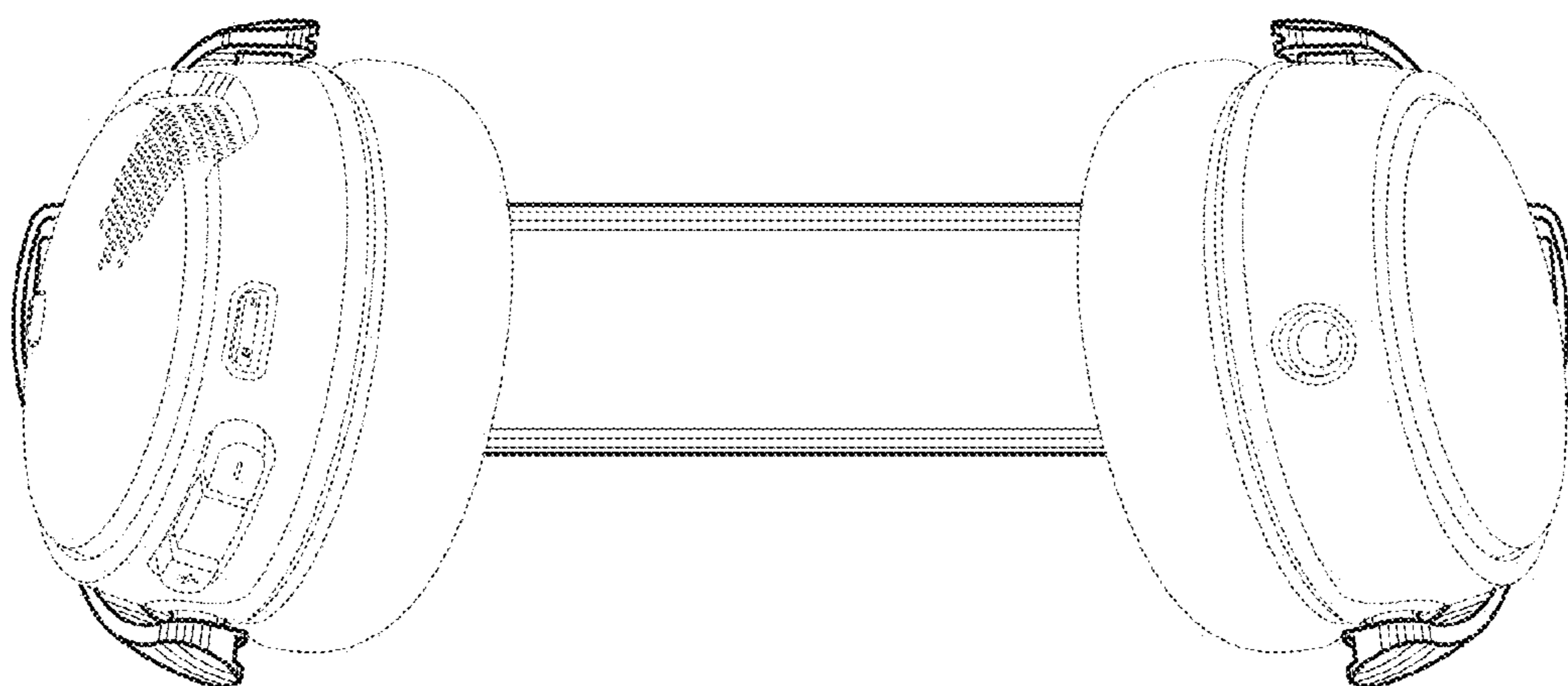


FIG. 10