



US00D741289S

(12) **United States Design Patent**  
**Schaal et al.**

(10) **Patent No.:** **US D741,289 S**

(45) **Date of Patent:** **\*\* Oct. 20, 2015**

(54) **HEADPHONE EAR CUPS**

(71) Applicant: **Bose Corporation**, Framingham, MA (US)

(72) Inventors: **Nathan David Schaal**, Cambridge, MA (US); **Adam A. Carr**, Southborough, MA (US); **Joshua Kevin Dryden**, Marlborough, MA (US); **Kenneth D. Gagnon**, Westminister, MA (US); **Kevin M. Krauss**, Sudbury, MA (US); **Michael E. Laude**, Upton, MA (US); **Tristan Edward Taylor**, Boston, MA (US); **Julie E. Tierney**, Shrewsbury, MA (US)

(73) Assignee: **Bose Corporation**, Framingham, MA (US)

(\*\*) Term: **14 Years**

(21) Appl. No.: **29/504,042**

(22) Filed: **Oct. 1, 2014**

**Related U.S. Application Data**

(62) Division of application No. 29/475,709, filed on Dec. 5, 2013, now Pat. No. Des. 719,136.

(51) **LOC (10) Cl.** ..... **14-01**

(52) **U.S. Cl.**  
USPC ..... **D14/205**

(58) **Field of Classification Search**  
USPC ..... D14/205; 181/129, 130, 135; 379/430, 379/431; 381/380, 381, 371, 379; 455/90.3, 455/575.1  
CPC ..... H04R 1/1066  
See application file for complete search history.

(56) **References Cited**

**U.S. PATENT DOCUMENTS**

D235,210 S \* 5/1975 Hill ..... D14/205  
D246,519 S \* 11/1977 Kato ..... D14/205  
D423,012 S \* 4/2000 Yasutomi ..... D14/205

D477,820 S \* 7/2003 Suzuki et al. .... D14/205  
D484,485 S \* 12/2003 Matsuoka ..... D14/205  
D491,163 S \* 6/2004 Green ..... D14/205  
D538,261 S \* 3/2007 Taylor et al. .... D14/205  
D541,255 S \* 4/2007 Taylor et al. .... D14/205  
D549,688 S \* 8/2007 Suzuki ..... D14/205  
7,388,960 B2 \* 6/2008 Kuo et al. .... 381/186  
D662,080 S \* 6/2012 Carr et al. .... D14/205  
D669,451 S \* 10/2012 Tappeiner et al. .... D14/205  
D710,822 S \* 8/2014 Gan ..... D14/205  
D711,347 S \* 8/2014 Gan ..... D14/205  
D719,133 S \* 12/2014 Gan ..... D14/205  
D719,134 S \* 12/2014 Gan ..... D14/205  
D719,136 S \* 12/2014 Schaal et al. .... D14/206  
D729,196 S \* 5/2015 Liu ..... D14/205

\* cited by examiner

*Primary Examiner* — Paula Greene

(57) **CLAIM**

The ornamental design for headphone ear cups, substantially as shown and described.

**DESCRIPTION**

FIG. 1 is a perspective view of a set of headphone ear cups as seen from the front and left side;

FIG. 2 is a perspective view thereof as seen from the front and right side;

FIG. 3 is a front view thereof;

FIG. 4 is a back view thereof;

FIG. 5 is a left side view thereof;

FIG. 6 is a right side view thereof;

FIG. 7 is a perspective view thereof as seen from the left side and bottom;

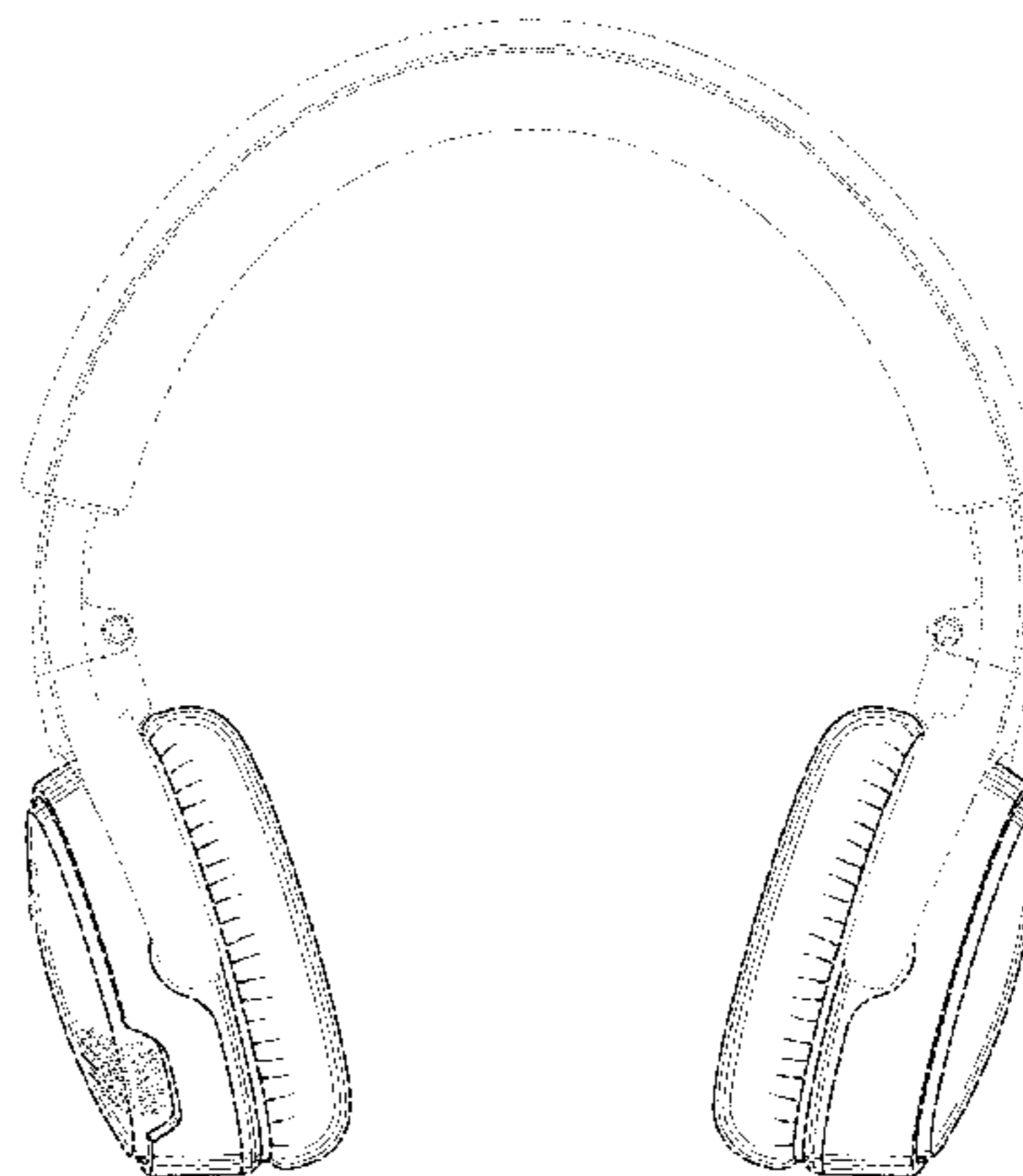
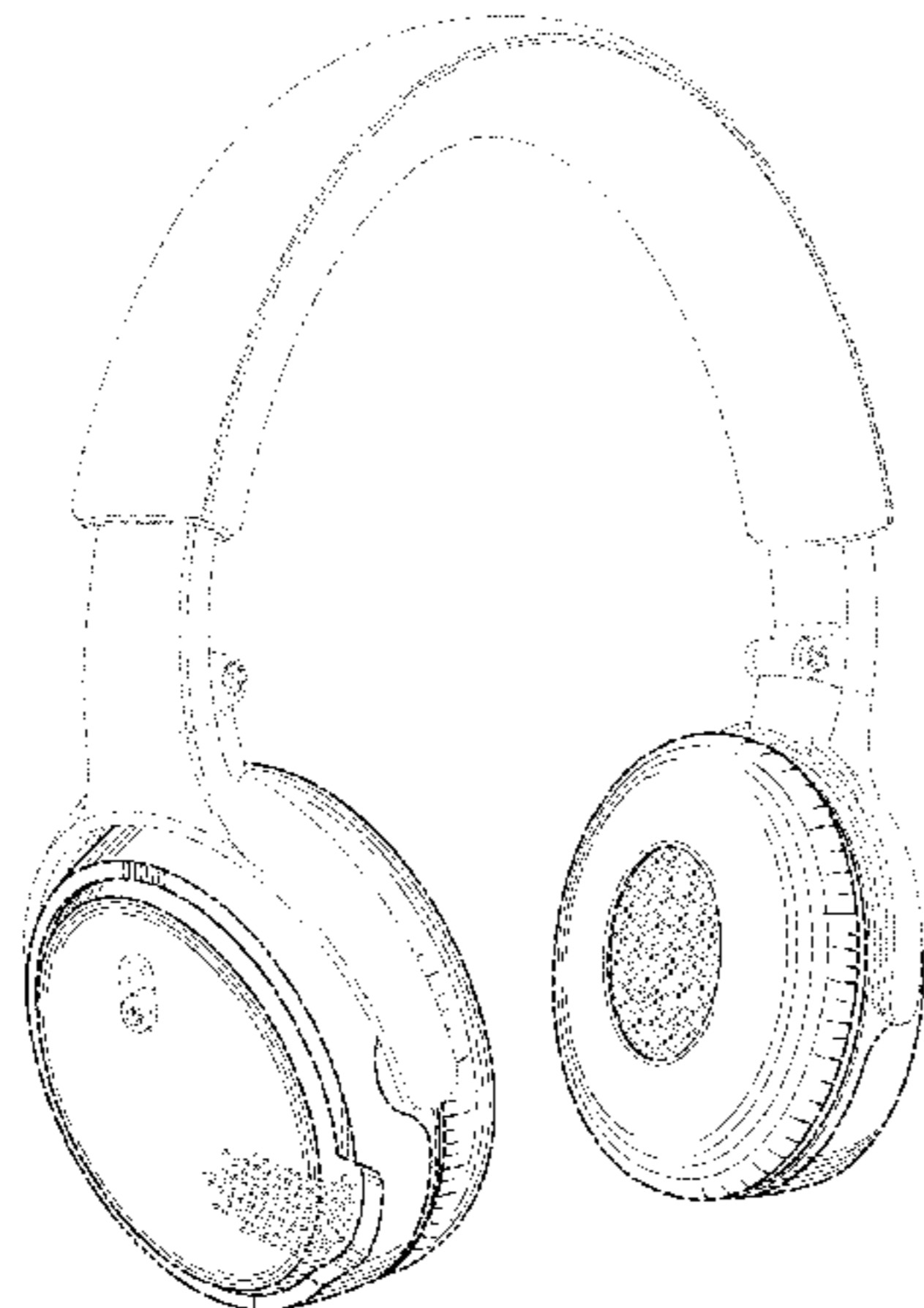
FIG. 8 is a perspective view thereof as seen from the right side and bottom;

FIG. 9 is a top end view thereof; and,

FIG. 10 is a bottom end view thereof.

The dotted line portions of the drawings represent environmental structure only and do not form part of the claimed design.

**1 Claim, 10 Drawing Sheets**



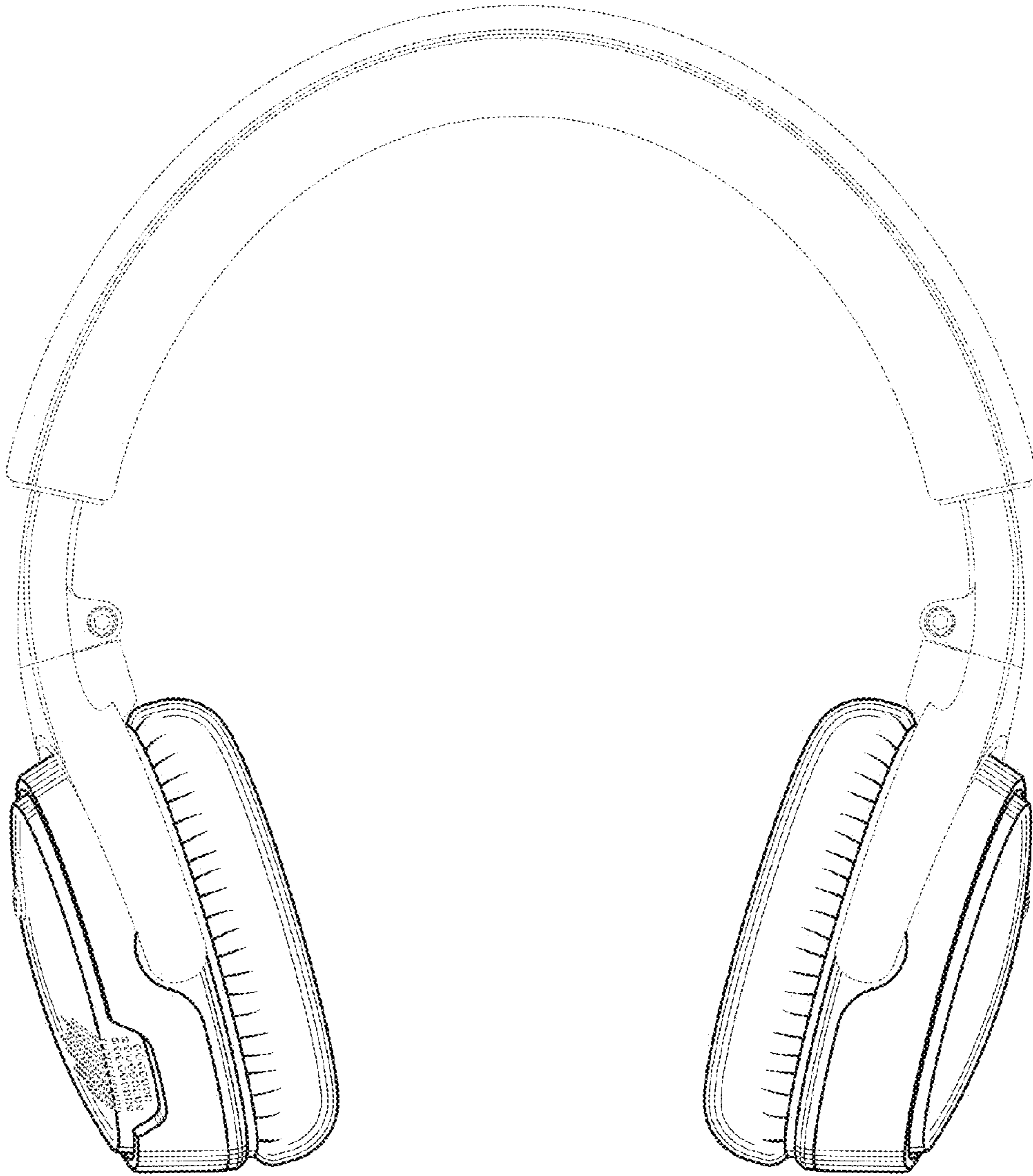


**FIG. 1**



**FIG. 2**

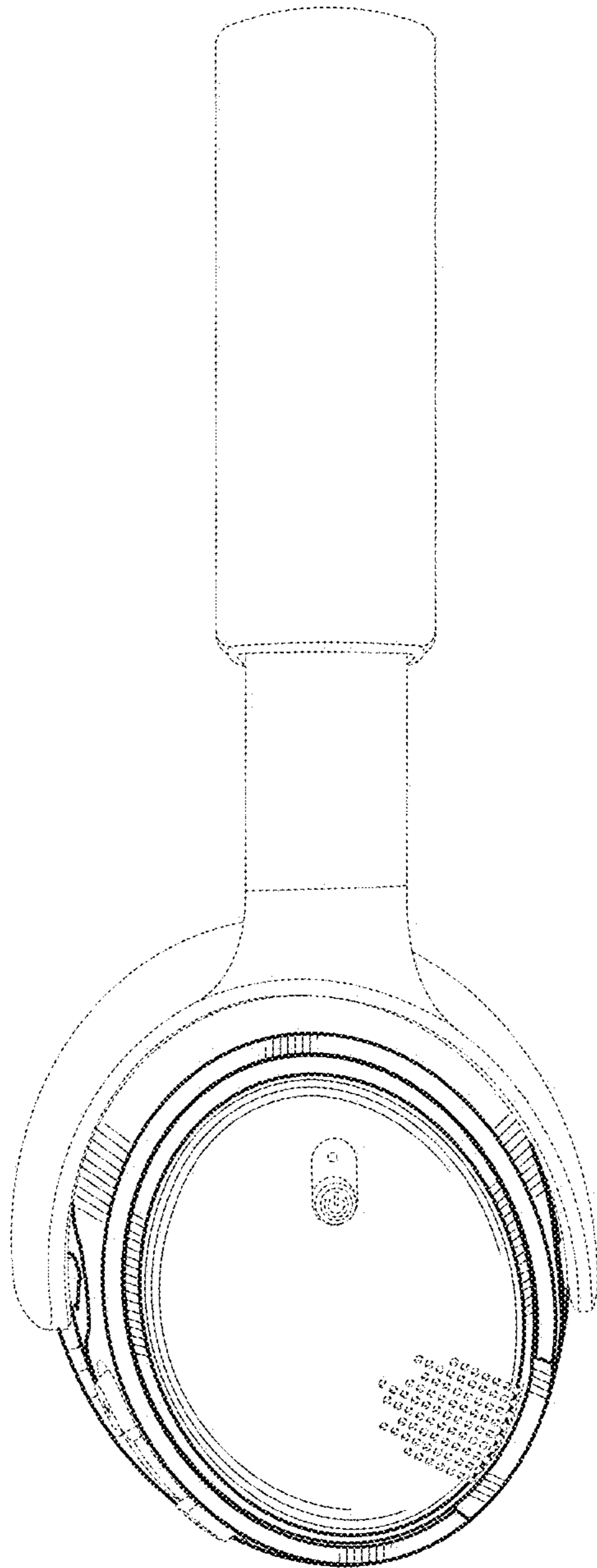




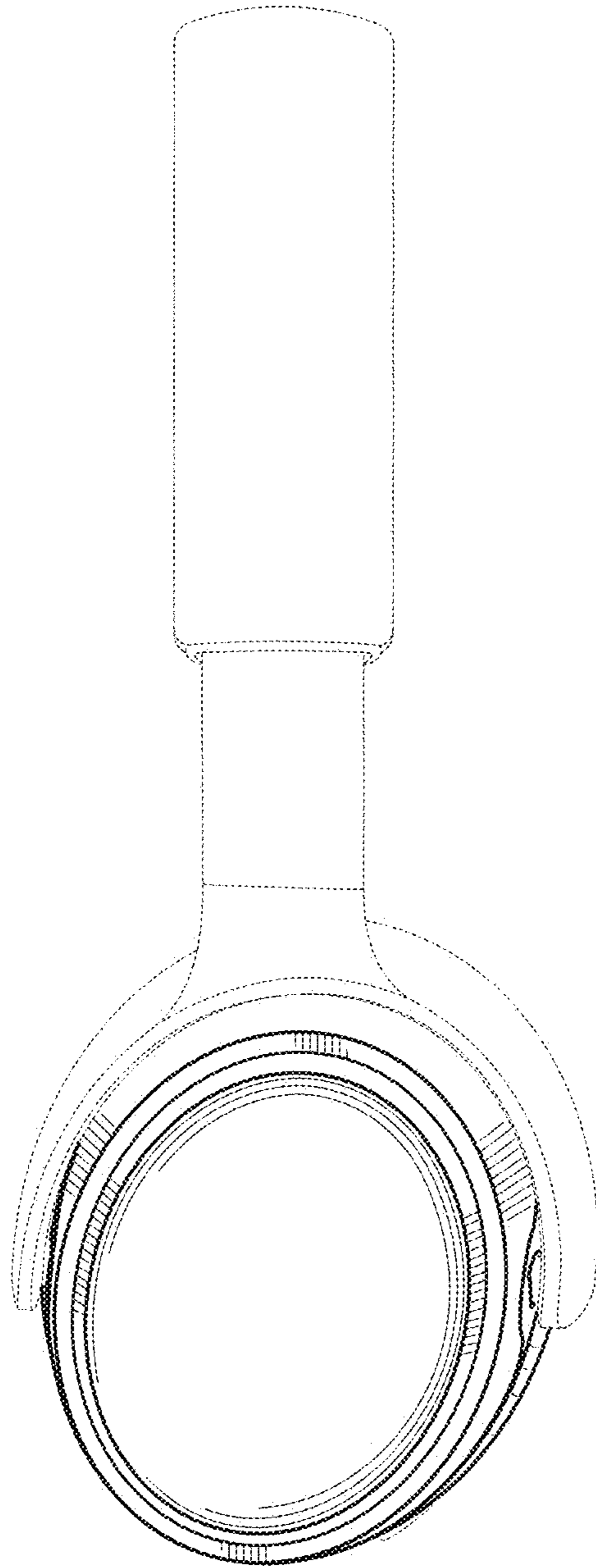
**FIG. 3**



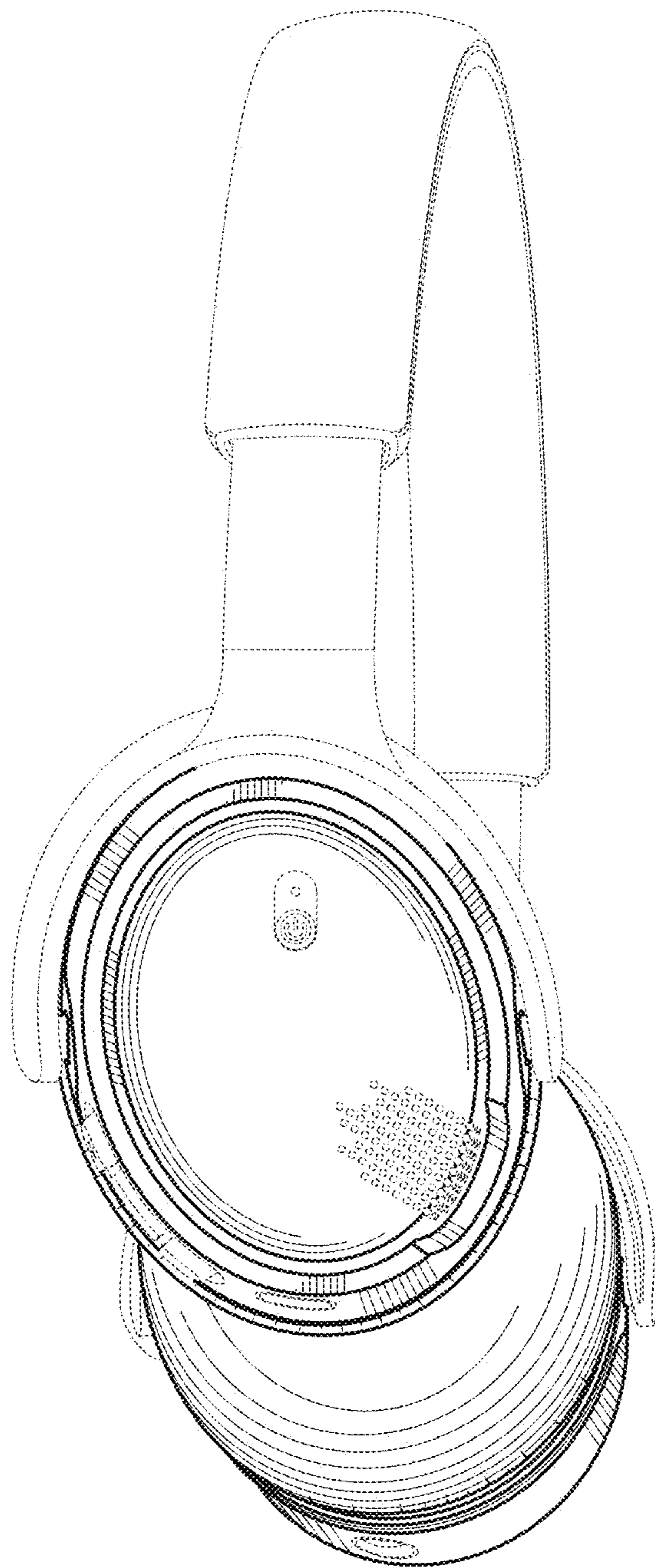
**FIG. 4**



**FIG. 5**

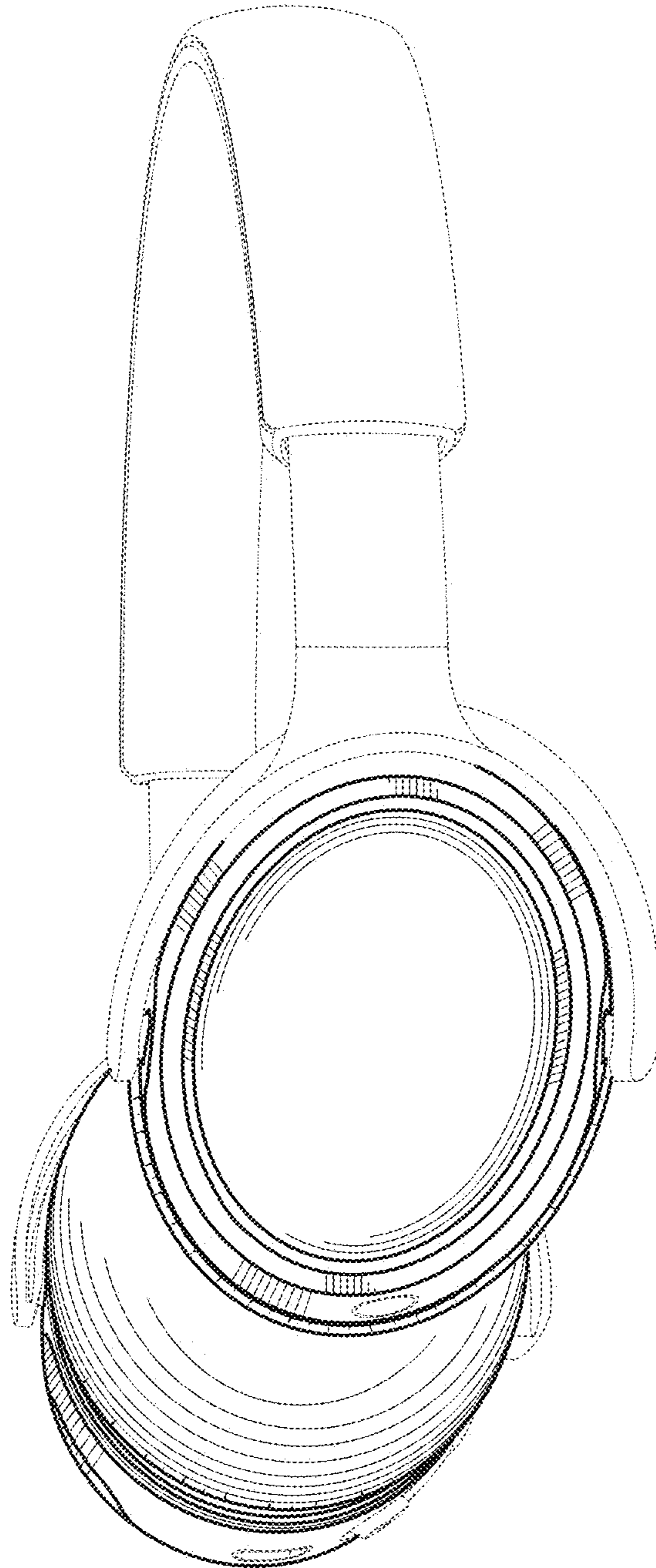


**FIG. 6**

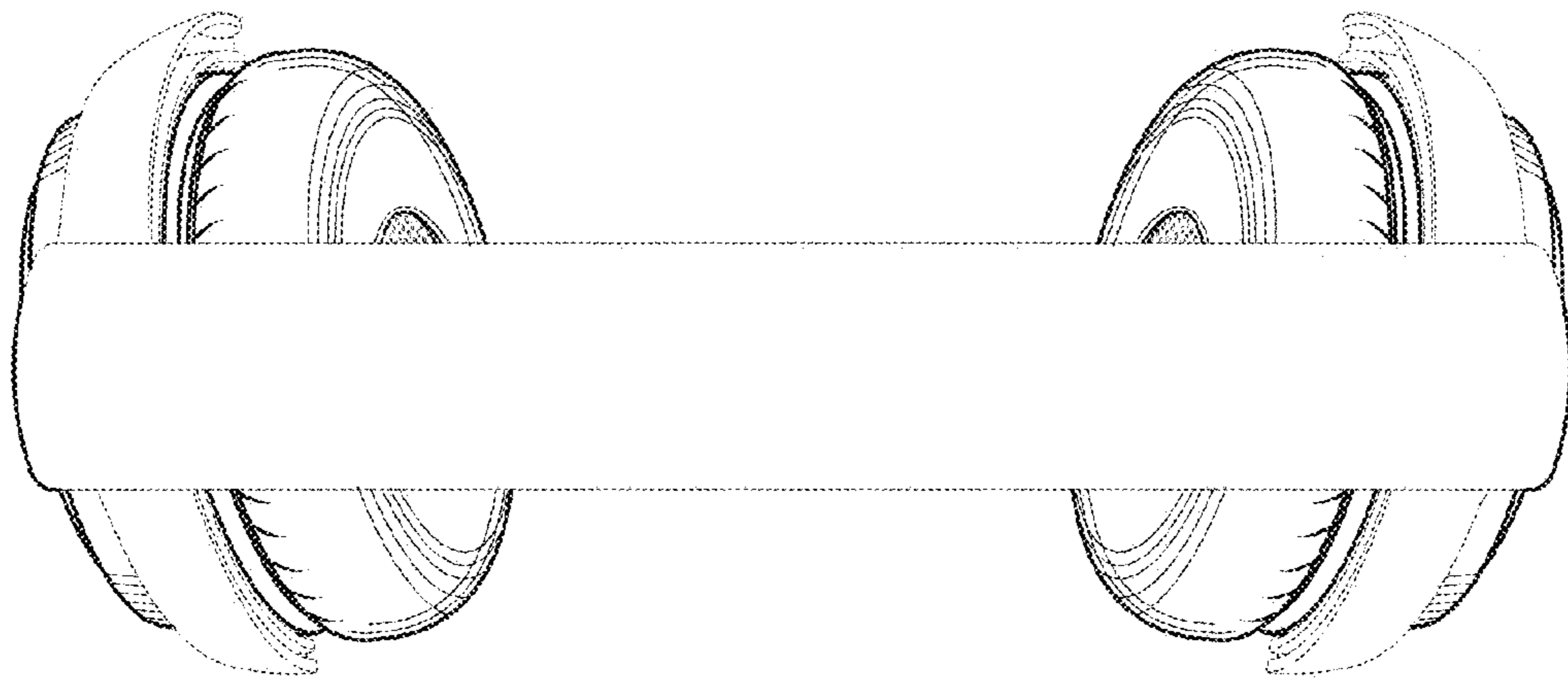


**FIG. 7**

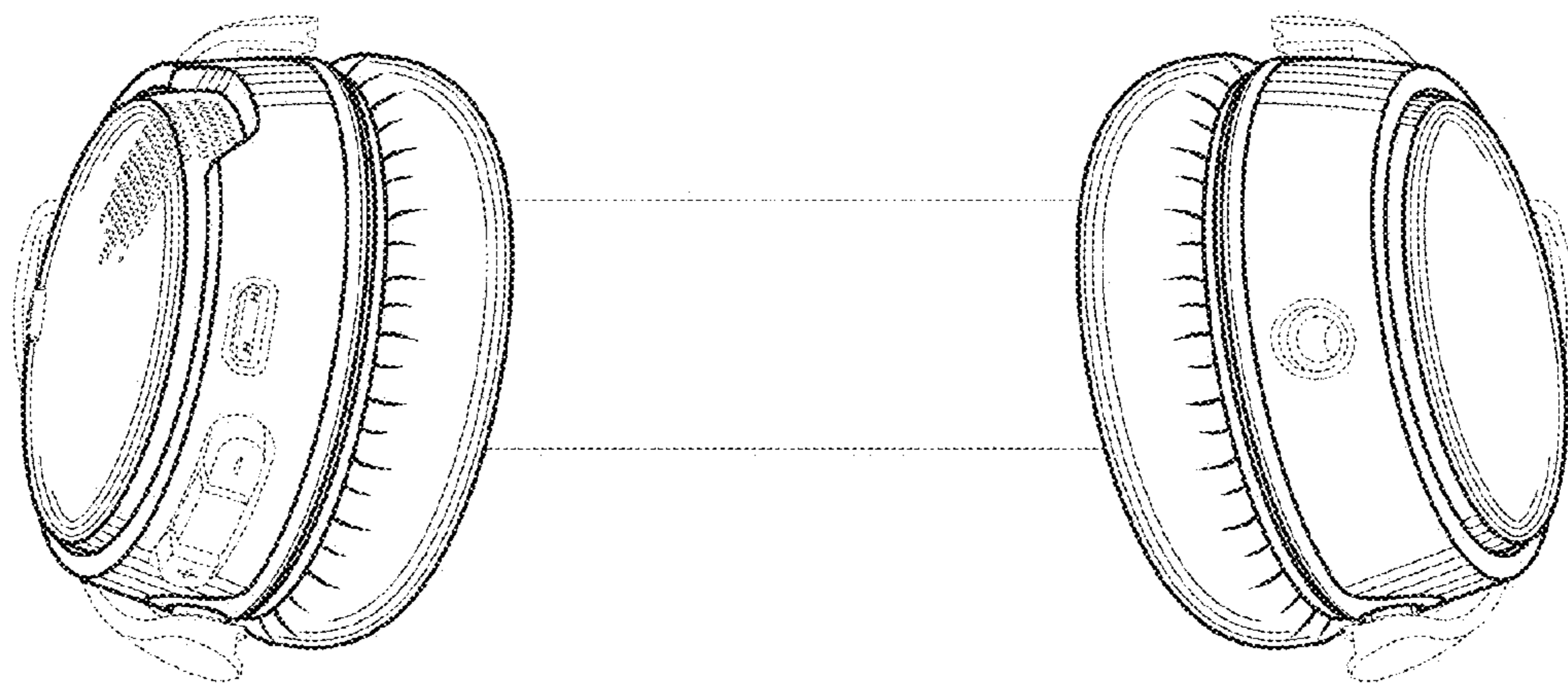




**FIG. 8**



**FIG. 9**



**FIG. 10**