



US00D741288S

(12) **United States Design Patent**  
**Galler**

(10) **Patent No.:** **US D741,288 S**

(45) **Date of Patent:** **\*\* \*Oct. 20, 2015**

(54) **HEADPHONES**

(71) Applicant: **Sennheiser electronic GmbH & Co. KG, Wedemark (DE)**

(72) Inventor: **Niklas Galler, Berlin (DE)**

(73) Assignee: **Sennheiser electronic GmbH & Co. KG, Wedemark (DE)**

(\*) Notice: This patent is subject to a terminal disclaimer.

(\*\*) Term: **14 Years**

(21) Appl. No.: **29/487,745**

(22) Filed: **Apr. 11, 2014**

(30) **Foreign Application Priority Data**

Oct. 14, 2013 (EM) ..... 001 386 676-0004

(51) **LOC (10) CL.** ..... **14-01**

(52) **U.S. CL.**  
USPC ..... **D14/205**

(58) **Field of Classification Search**  
USPC ..... D14/205, 206; D29/112; 2/209;  
181/129, 130, 135; 379/430, 431;  
381/380, 381, 374, 379, 378; 455/90.3,  
455/575.1

CPC ..... H04R 1/1066  
See application file for complete search history.

(56) **References Cited**

**U.S. PATENT DOCUMENTS**

D411,200 S \* 6/1999 Almqvist ..... D14/192  
6,629,579 B1 \* 10/2003 Hasegawa ..... 181/129  
D512,708 S \* 12/2005 Harris et al. .... D14/205  
D538,261 S \* 3/2007 Taylor et al. .... D14/205  
D552,077 S \* 10/2007 Brunner et al. .... D14/205  
D563,382 S \* 3/2008 Wikel ..... D14/205  
D573,581 S \* 7/2008 Gondo et al. .... D14/205  
7,580,539 B2 \* 8/2009 Tachikawa ..... 381/374

D639,776 S \* 6/2011 Arimoto ..... D14/205  
D657,345 S \* 4/2012 Brunner et al. .... D14/205  
D663,900 S \* 7/2012 Karlsson et al. .... D29/112  
D665,775 S \* 8/2012 Katsumata ..... D14/205  
D673,520 S \* 1/2013 Tan ..... D14/205  
D675,595 S \* 2/2013 Cho et al. .... D14/205  
D691,109 S \* 10/2013 Hardi et al. .... D14/205  
8,565,468 B2 \* 10/2013 Ito et al. .... 381/378  
D696,226 S \* 12/2013 Brunner et al. .... D14/205  
D706,744 S \* 6/2014 Yang ..... D14/205  
D707,200 S \* 6/2014 Yang ..... D14/205  
D708,164 S \* 7/2014 Ishikura ..... D14/205  
D712,375 S \* 9/2014 Miyake et al. .... D14/205  
D719,133 S \* 12/2014 Gan ..... D14/205  
D727,285 S \* 4/2015 Galler ..... D14/205  
D727,286 S \* 4/2015 Galler ..... D14/205  
2005/0053255 A1 \* 3/2005 Harris et al. .... 381/379

\* cited by examiner

*Primary Examiner* — Paula Greene

(74) *Attorney, Agent, or Firm* — Frommer Lawrence & Haug LLP

(57) **CLAIM**

The ornamental design for headphones, as shown and described.

**DESCRIPTION**

FIG. 1 is a top view of the headphones in accordance with the invention.

FIG. 2 is a bottom view of the headphones in accordance with the invention.

FIG. 3 is a front view of the headphones in accordance with the invention.

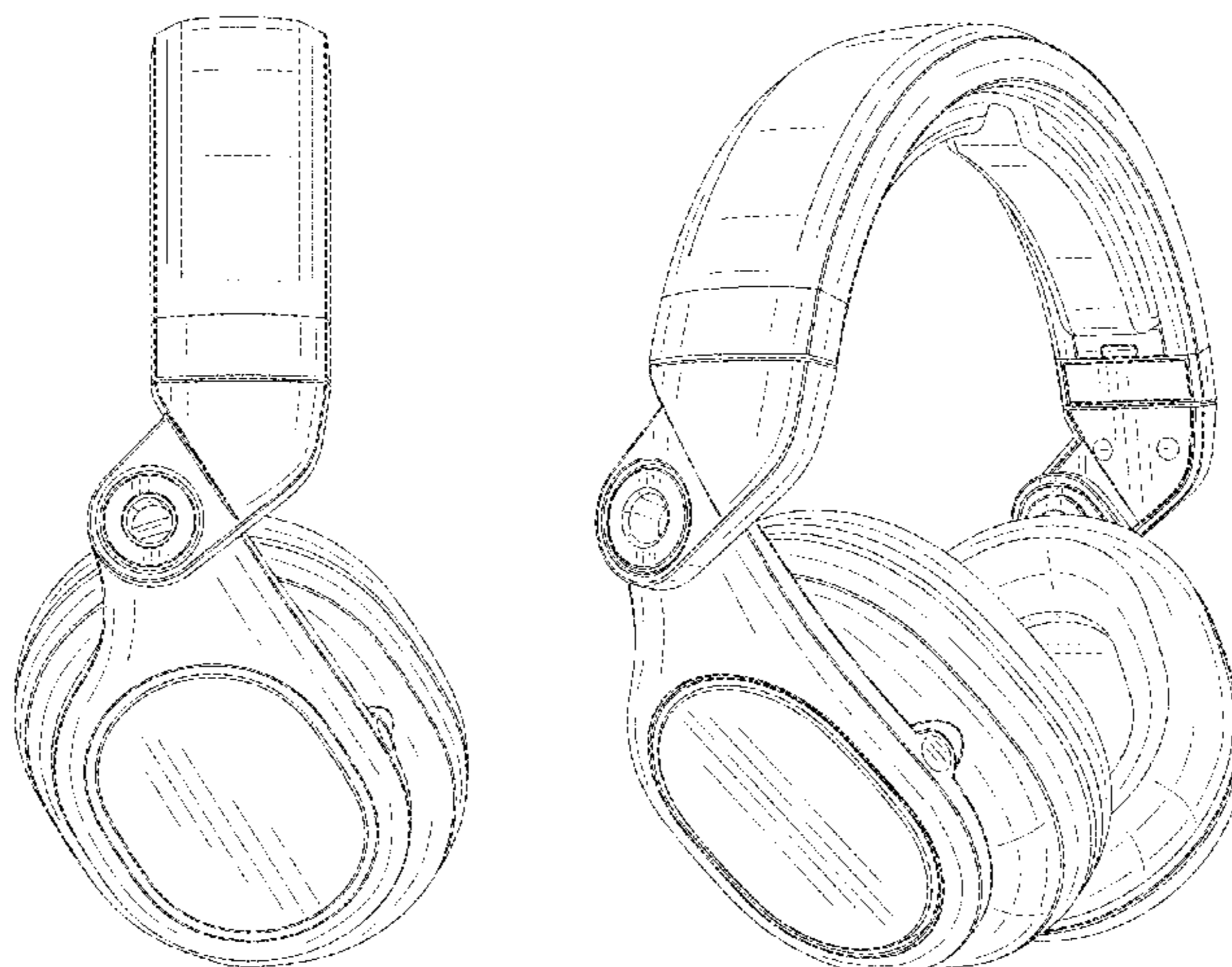
FIG. 4 is a rear view of the headphones in accordance with the invention.

FIG. 5 is a left view of the headphones in accordance with the invention.

FIG. 6 is a right view of the headphones in accordance with the invention; and,

FIG. 7 is a right perspective view of the headphones in accordance with the invention.

**1 Claim, 7 Drawing Sheets**



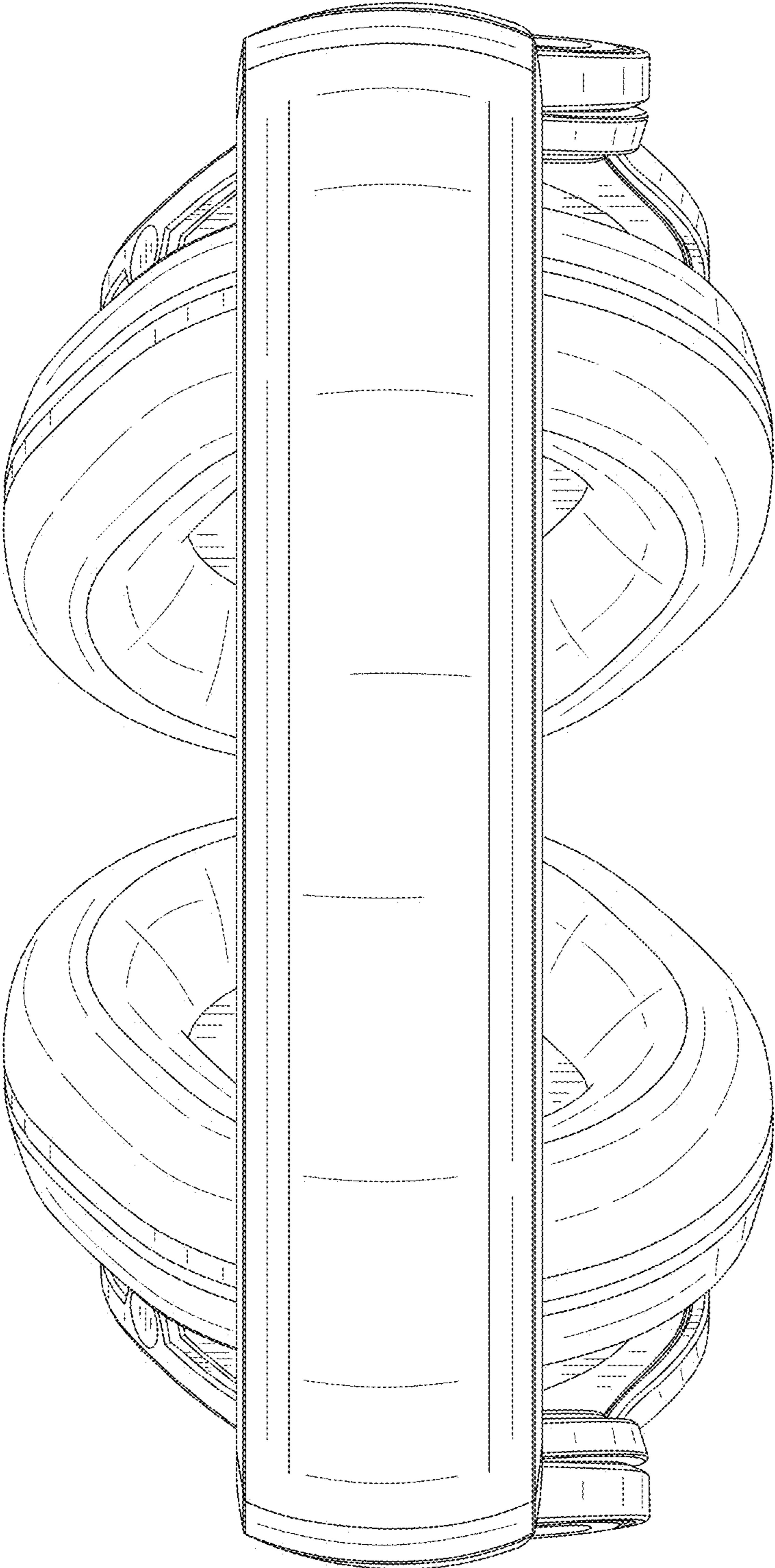


Fig. 1

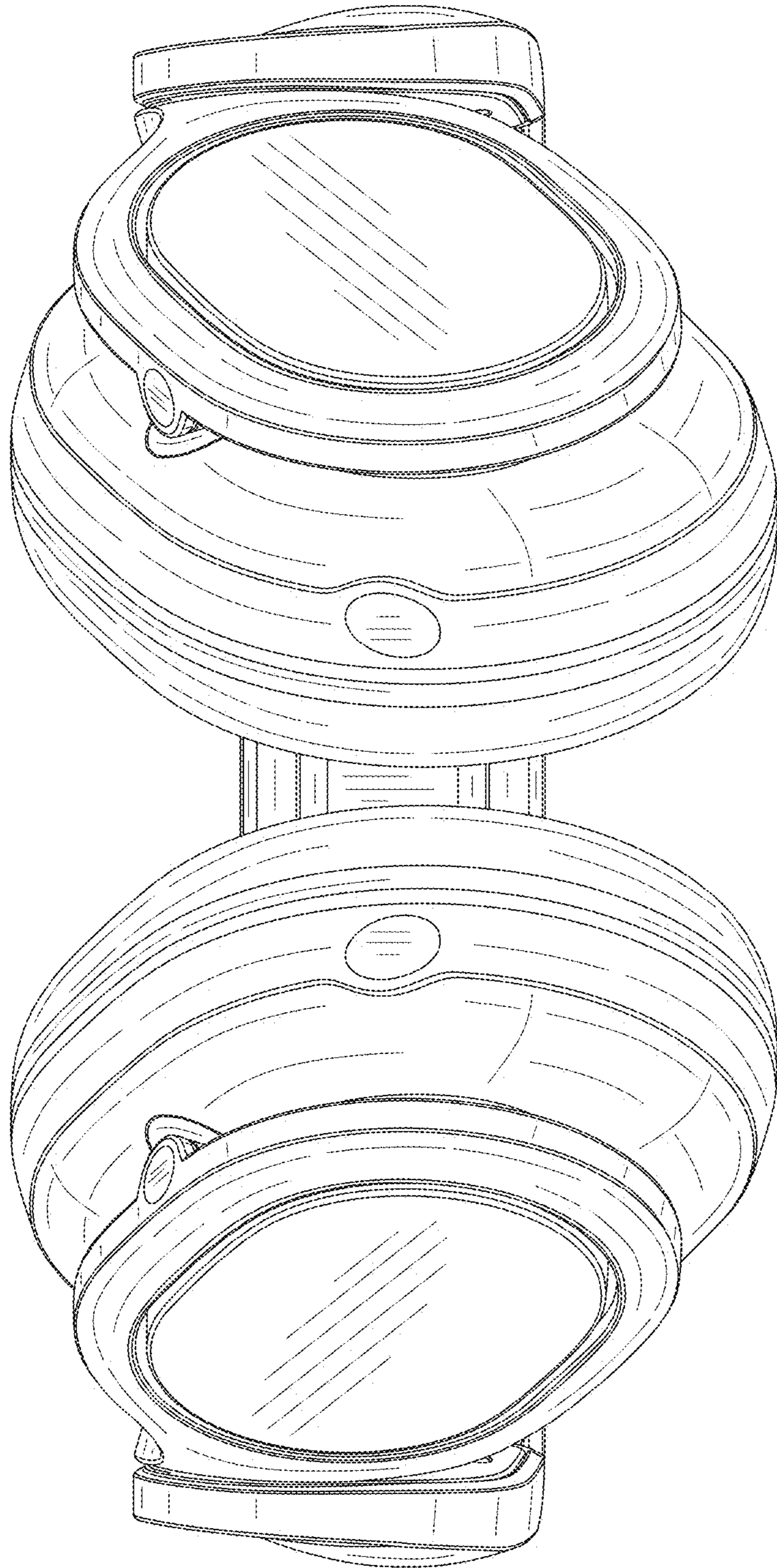


Fig. 2



Fig. 3



Fig. 4

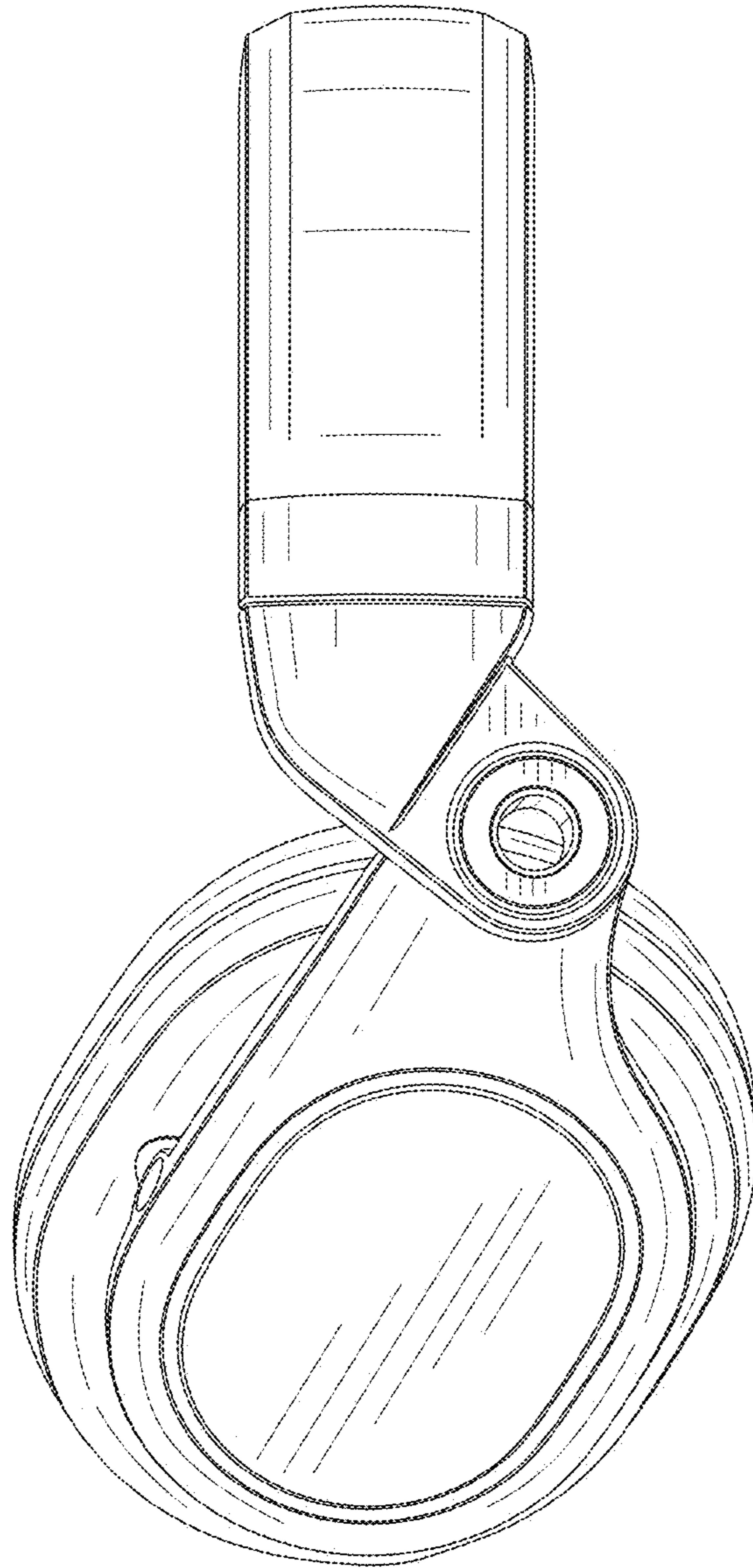


Fig. 5

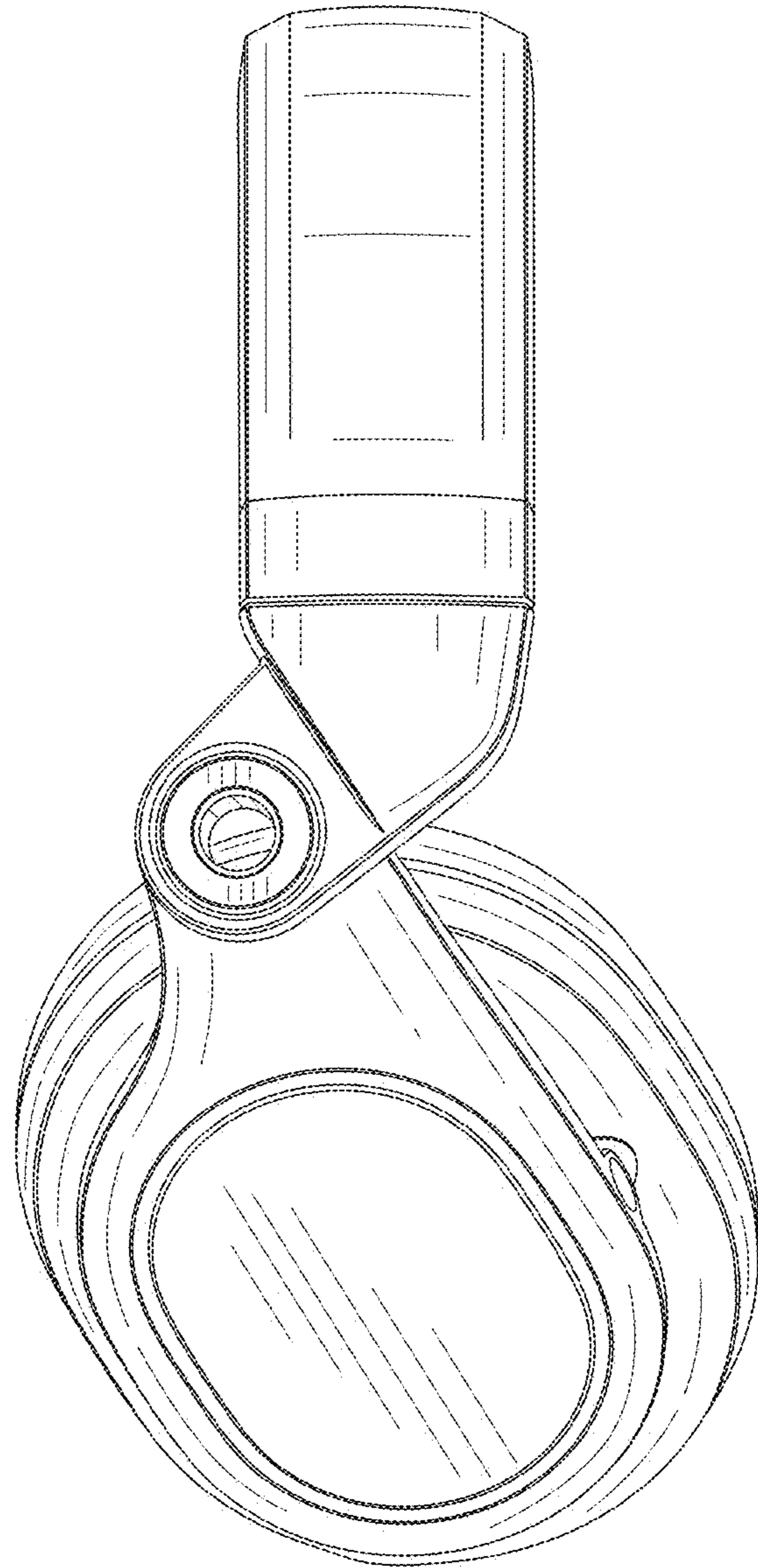


Fig. 6

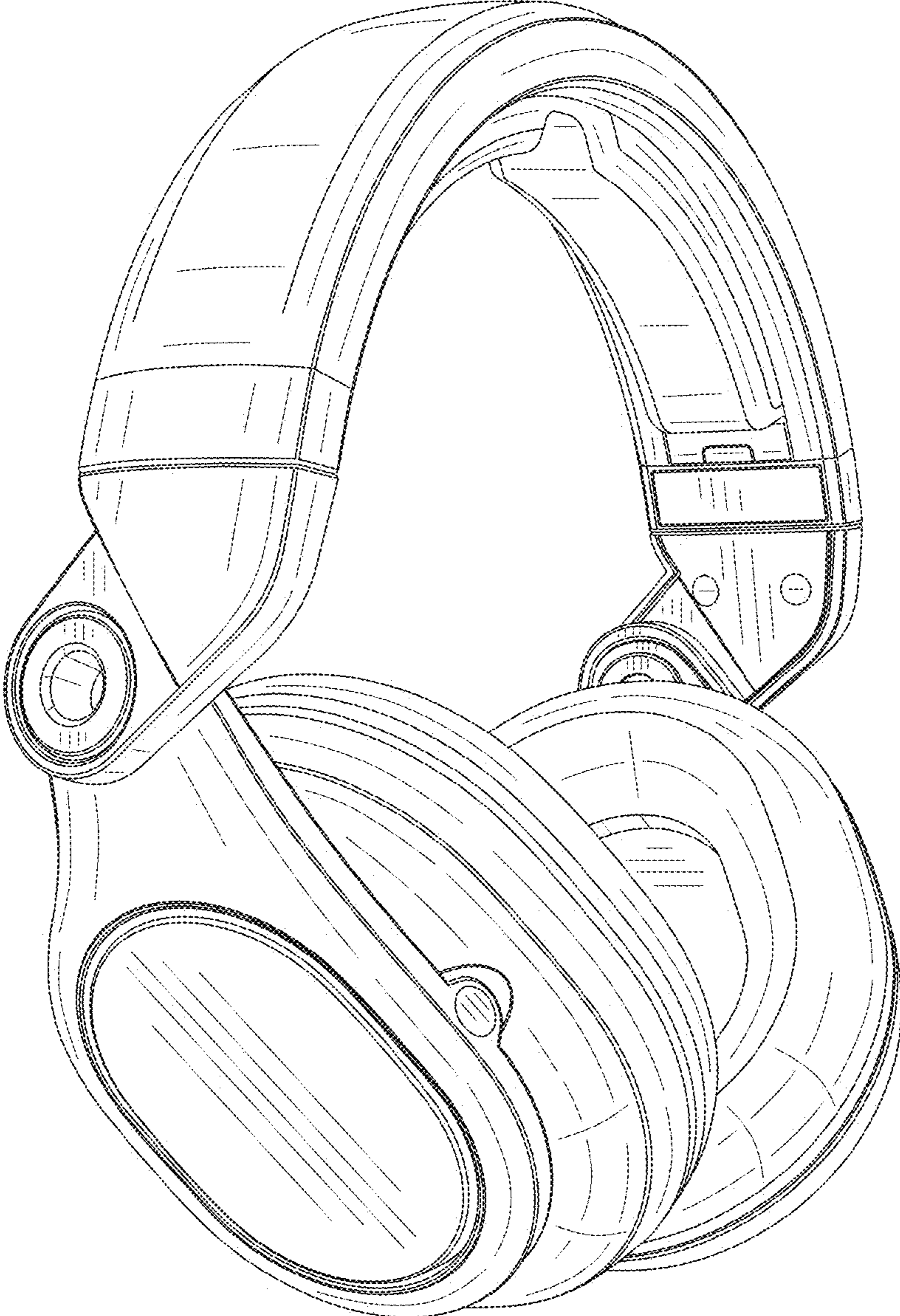


Fig. 7