



US00D741287S

(12) **United States Design Patent**
Harata et al.

(10) **Patent No.:** **US D741,287 S**

(45) **Date of Patent:** **** Oct. 20, 2015**

(54) **EARPHONE**

(71) Applicant: **SAMSUNG ELECTRONICS CO., LTD.**, Suwon-si (KR)

(72) Inventors: **Tomohiro Harata**, Seoul (KR);
Hyun-Keun Son, Seoul (KR)

(73) Assignee: **SAMSUNG ELECTRONICS CO., LTD.** (KR)

(**) Term: **14 Years**

(21) Appl. No.: **29/467,047**

(22) Filed: **Sep. 13, 2013**

(51) **LOC (10) Cl.** **14-01**

(52) **U.S. Cl.**
USPC **D14/205**; D14/223

(58) **Field of Classification Search**
USPC D14/223, 205; 181/129, 130, 135;
379/430, 431; 381/380, 381; 455/90.3,
455/575.1

CPC H04R 1/10

See application file for complete search history.

(56) **References Cited**

U.S. PATENT DOCUMENTS

D353,379	S	*	12/1994	Nakamura et al.	D14/223
5,420,935	A	*	5/1995	Shinohara et al.	381/370
6,574,345	B1	*	6/2003	Huang	381/380
6,731,772	B1	*	5/2004	Byun	381/380
D499,397	S	*	12/2004	Hlas et al.	D14/223
D515,070	S	*	2/2006	Andre et al.	D14/205
D523,846	S	*	6/2006	Lee	D14/205
D542,782	S	*	5/2007	Pena Angarita	D14/223
D568,291	S	*	5/2008	Andre et al.	D14/205
D572,703	S	*	7/2008	Ledbetter et al.	D14/205
D575,269	S	*	8/2008	Ledbetter et al.	D14/205
D587,677	S	*	3/2009	Andre et al.	D14/205
D589,491	S	*	3/2009	Andre et al.	D14/205
D591,721	S	*	5/2009	Densho	D14/205
D599,330	S	*	9/2009	Andre et al.	D14/223

D628,193	S	*	11/2010	Zheng	D14/223
D633,086	S	*	2/2011	Chen	D14/223
D639,279	S	*	6/2011	Andre et al.	D14/223
D641,738	S	*	7/2011	Perez	D14/223
D653,235	S	*	1/2012	McManigal	D14/205
D656,481	S	*	3/2012	McManigal	D14/205
D662,493	S	*	6/2012	Chen	D14/223
D662,495	S	*	6/2012	Andre et al.	D14/223
8,265,323	B2	*	9/2012	Stiehl et al.	381/371
8,270,656	B2	*	9/2012	Stiehl et al.	381/380
D687,418	S	*	8/2013	Godfrey	D14/223
D695,721	S	*	12/2013	Thompson et al.	D14/223
D707,206	S	*	6/2014	Akana et al.	D14/223
D707,652	S	*	6/2014	Brunner et al.	D14/205
2012/0237074	A1	*	9/2012	Aase	381/380
2013/0343595	A1	*	12/2013	Zorkendorfer et al.	381/380

* cited by examiner

Primary Examiner — Paula Greene

(74) *Attorney, Agent, or Firm* — Cantor Colburn LLP

(57) **CLAIM**

The ornamental design for an earphone, as shown and described.

DESCRIPTION

FIG. 1 is a top front perspective view of an earphone showing our new design;

FIG. 2 is a front view thereof;

FIG. 3 is a rear view thereof;

FIG. 4 is a left side view thereof;

FIG. 5 is a right side view thereof;

FIG. 6 is a top view thereof;

FIG. 7 is a bottom view thereof;

FIG. 8 is a top rear perspective view thereof;

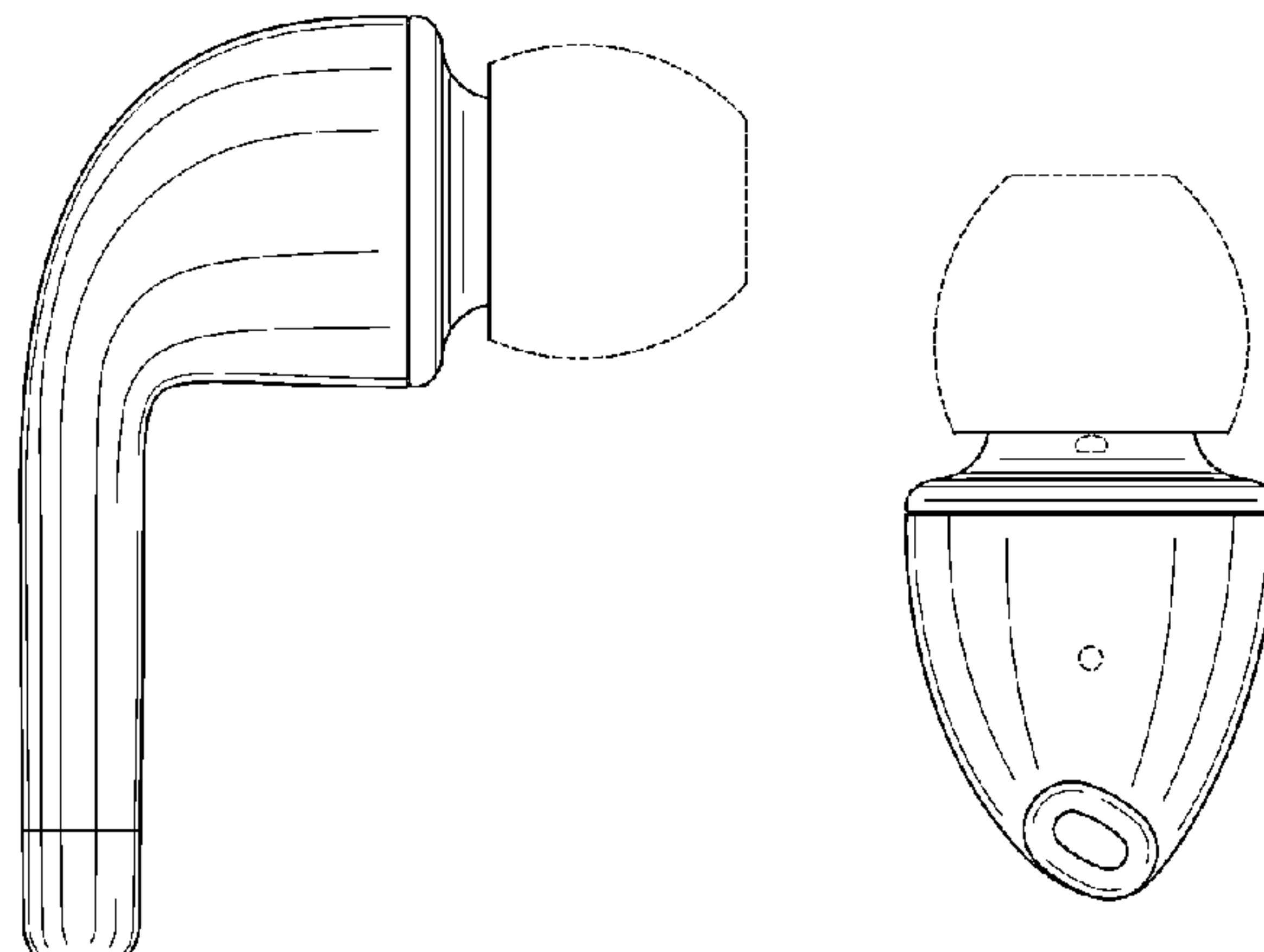
FIG. 9 is a left side perspective view thereof;

FIG. 10 is a bottom front perspective view thereof; and,

FIG. 11 is another front view thereof, as shown in a user environment.

The broken lines illustrating portions of the earphone are for environmental purposes only and form no part of the claimed design.

1 Claim, 4 Drawing Sheets



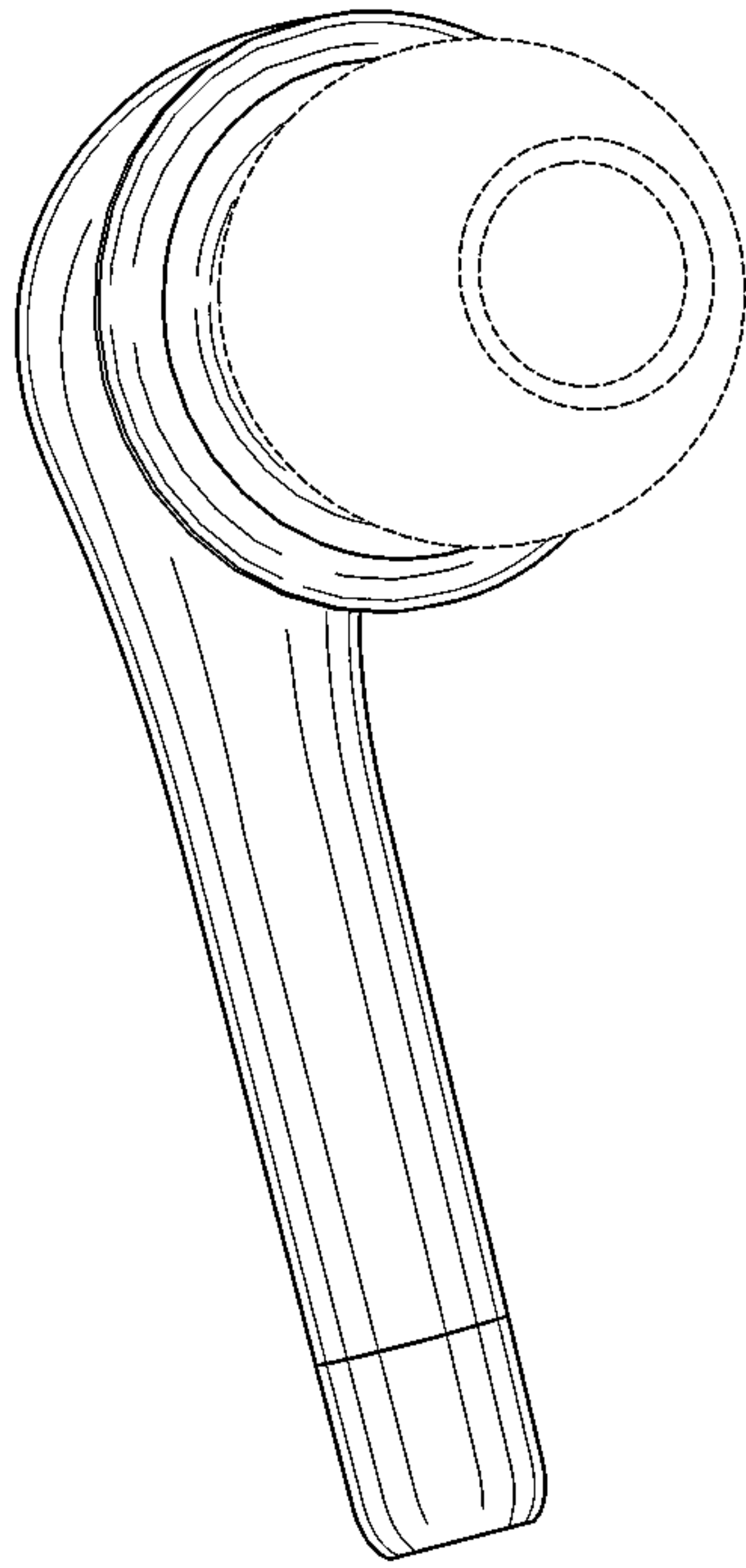


FIG.1

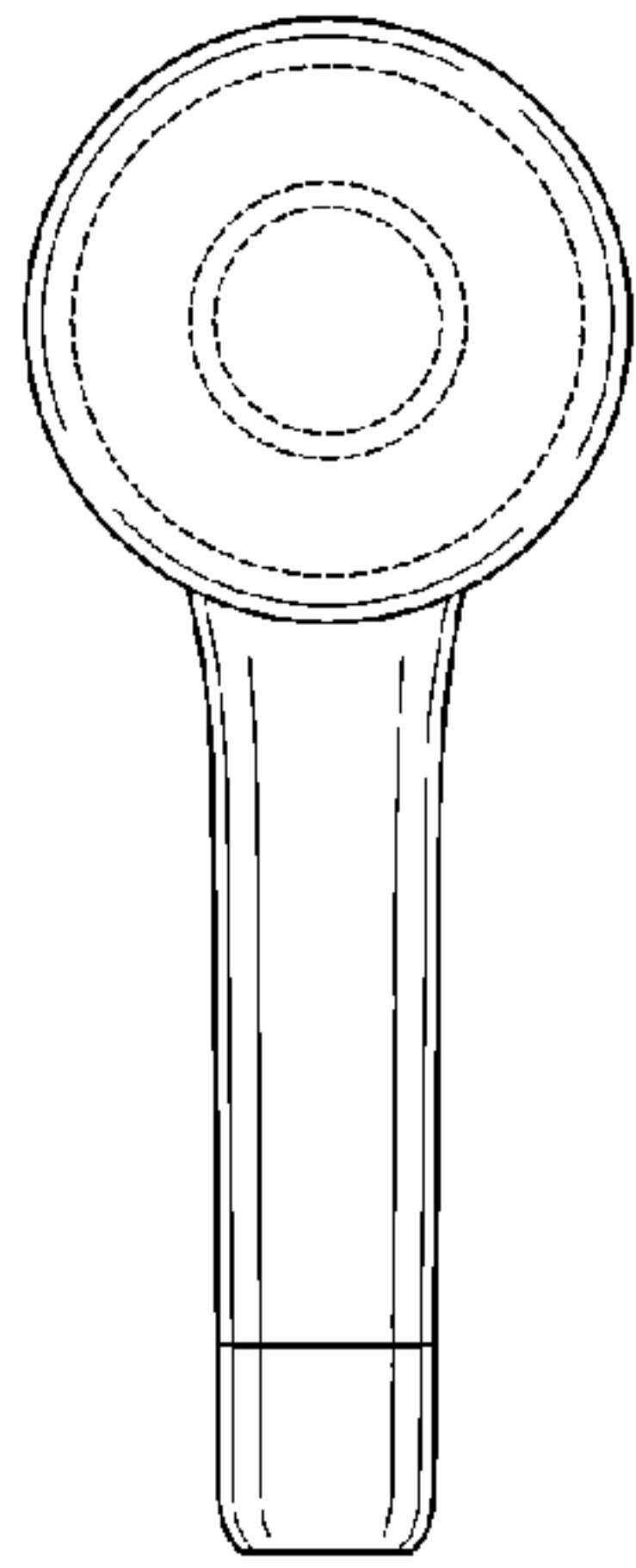


FIG. 2

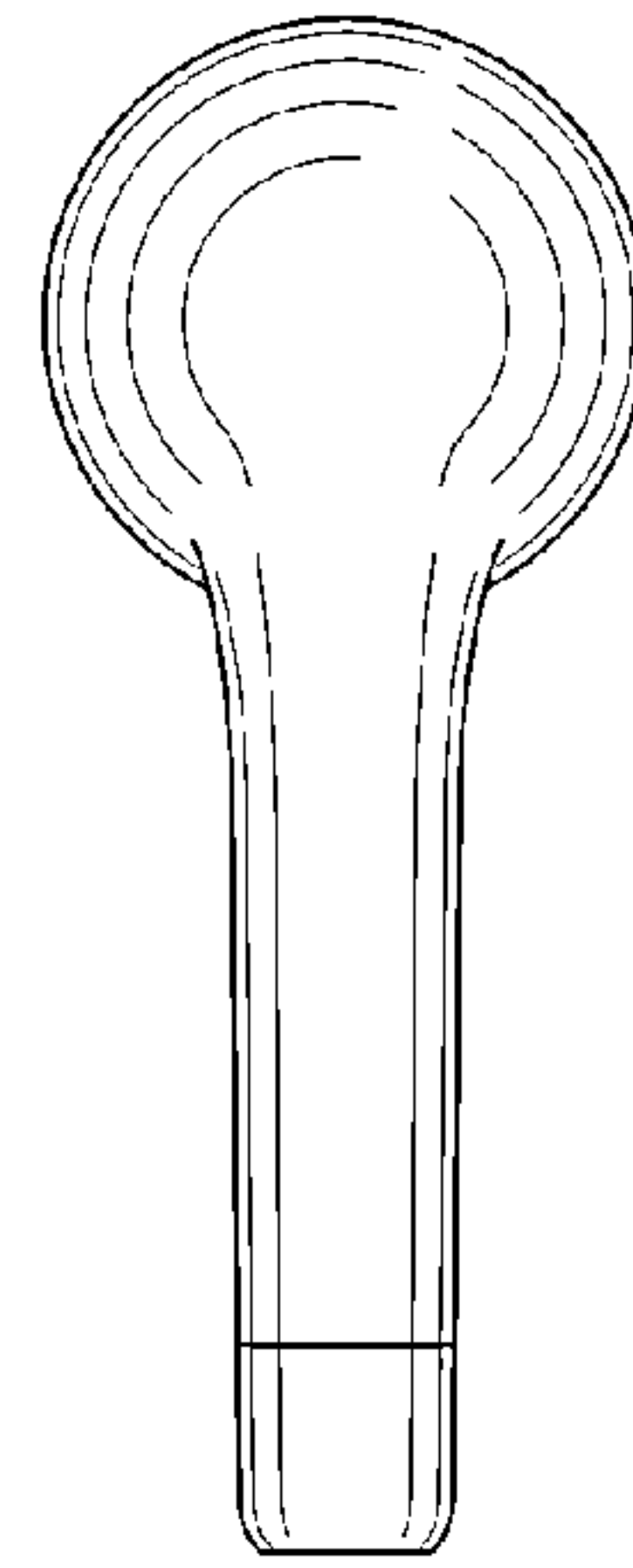


FIG. 3

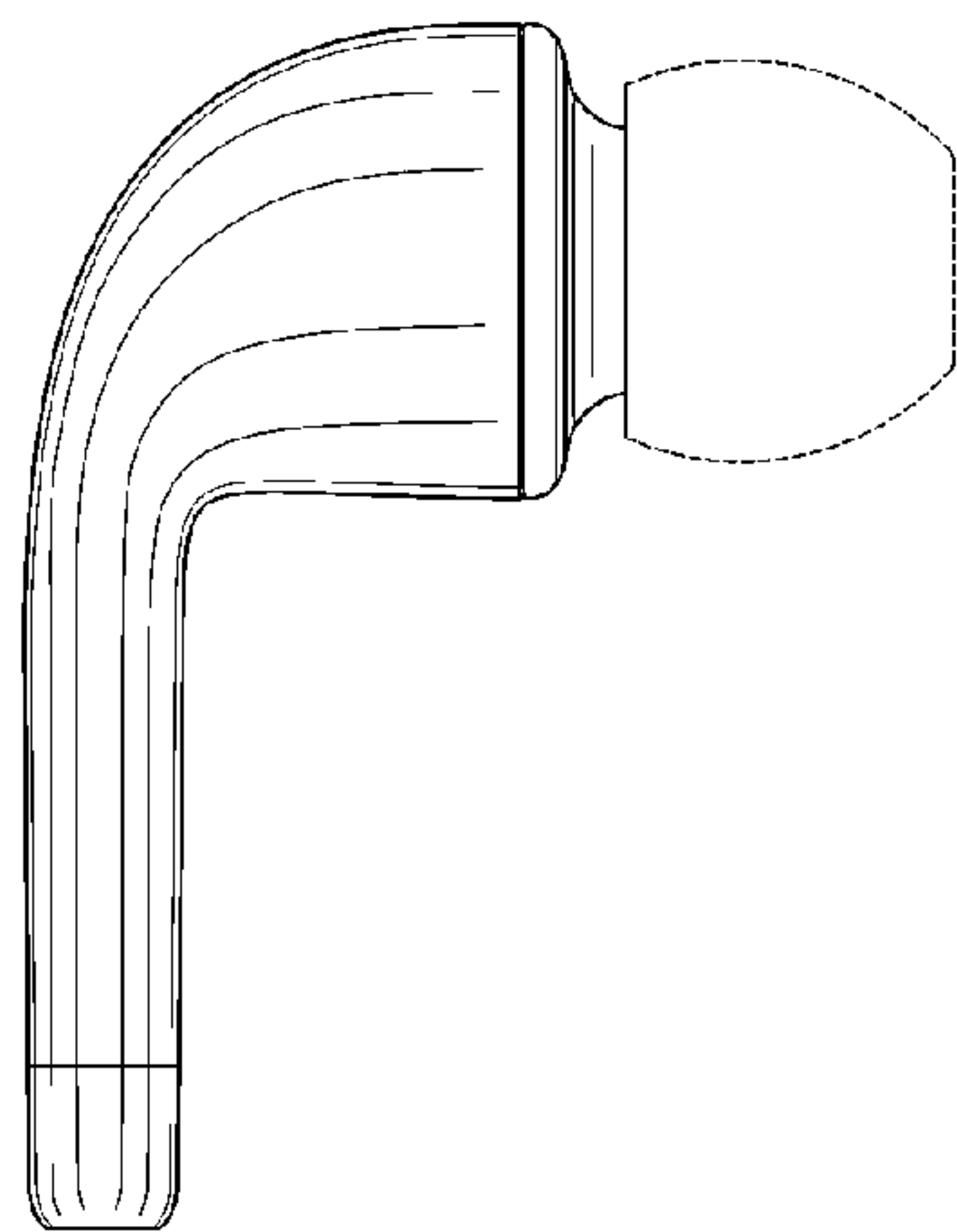


FIG. 4

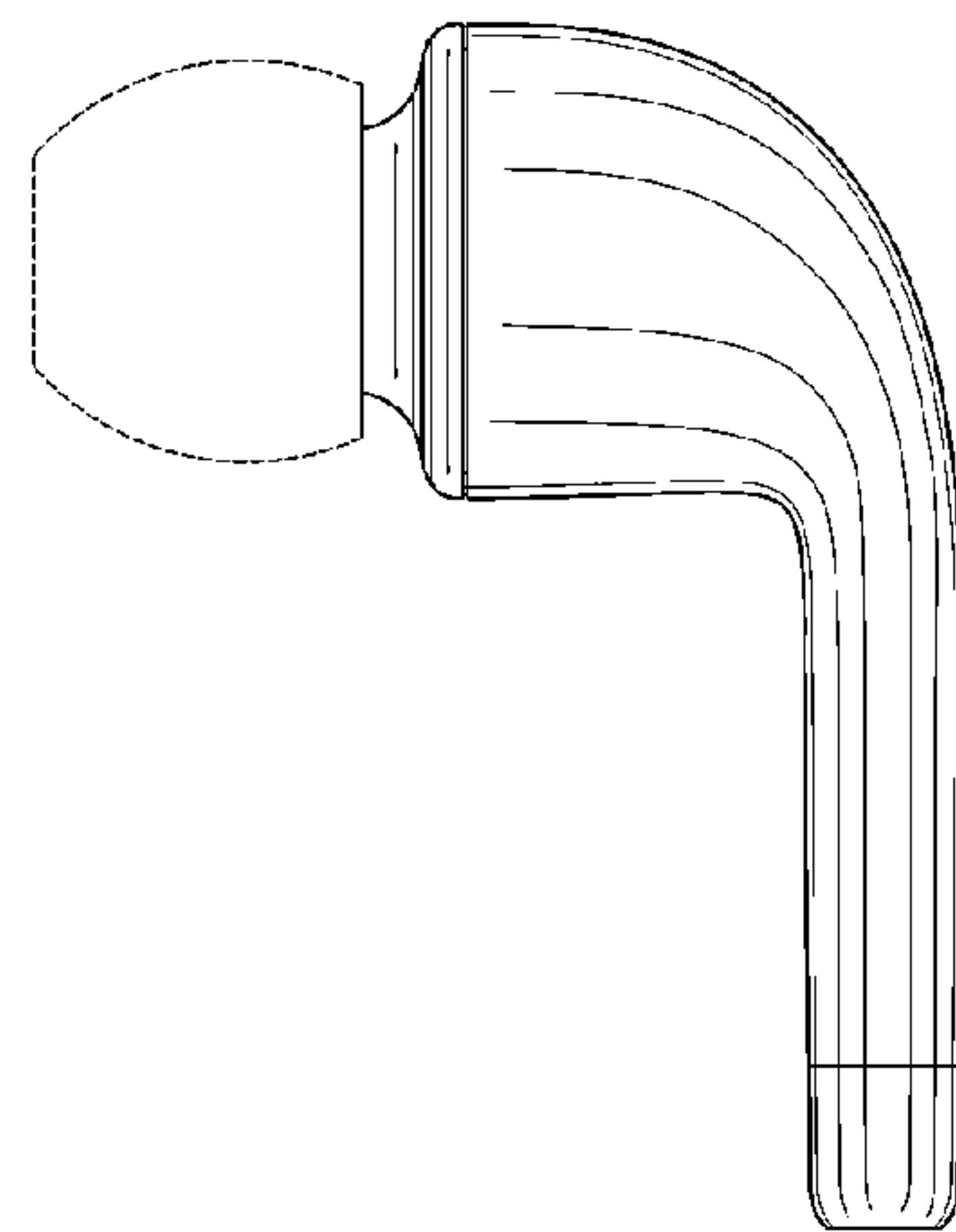


FIG. 5

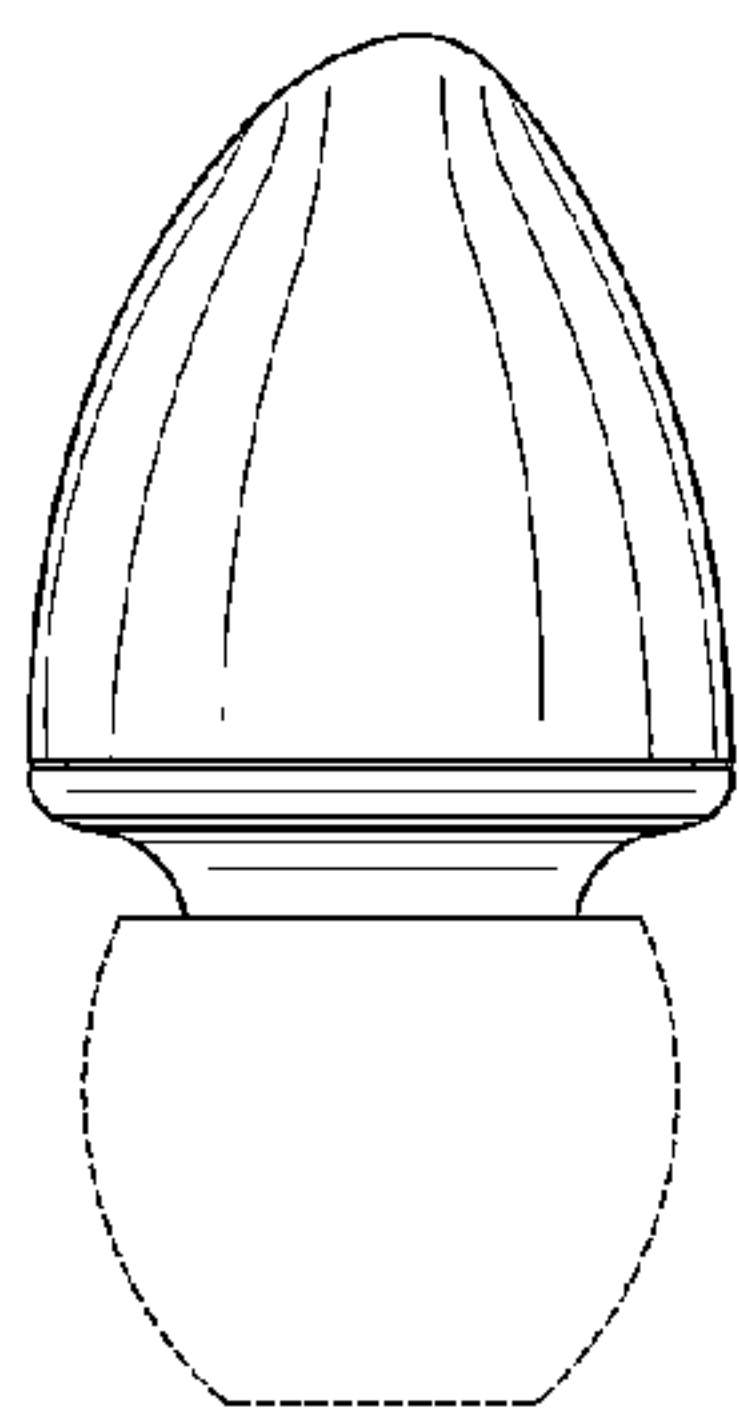


FIG. 6

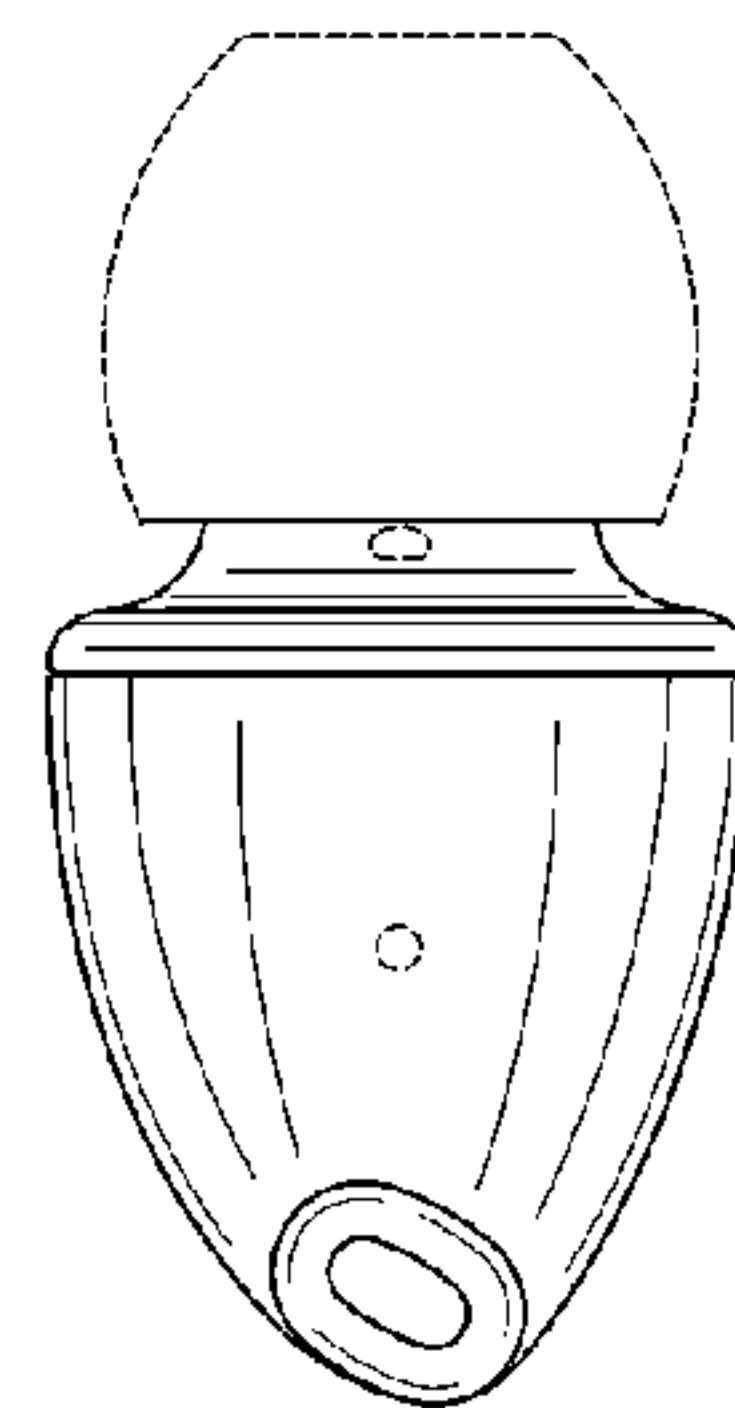


FIG. 7

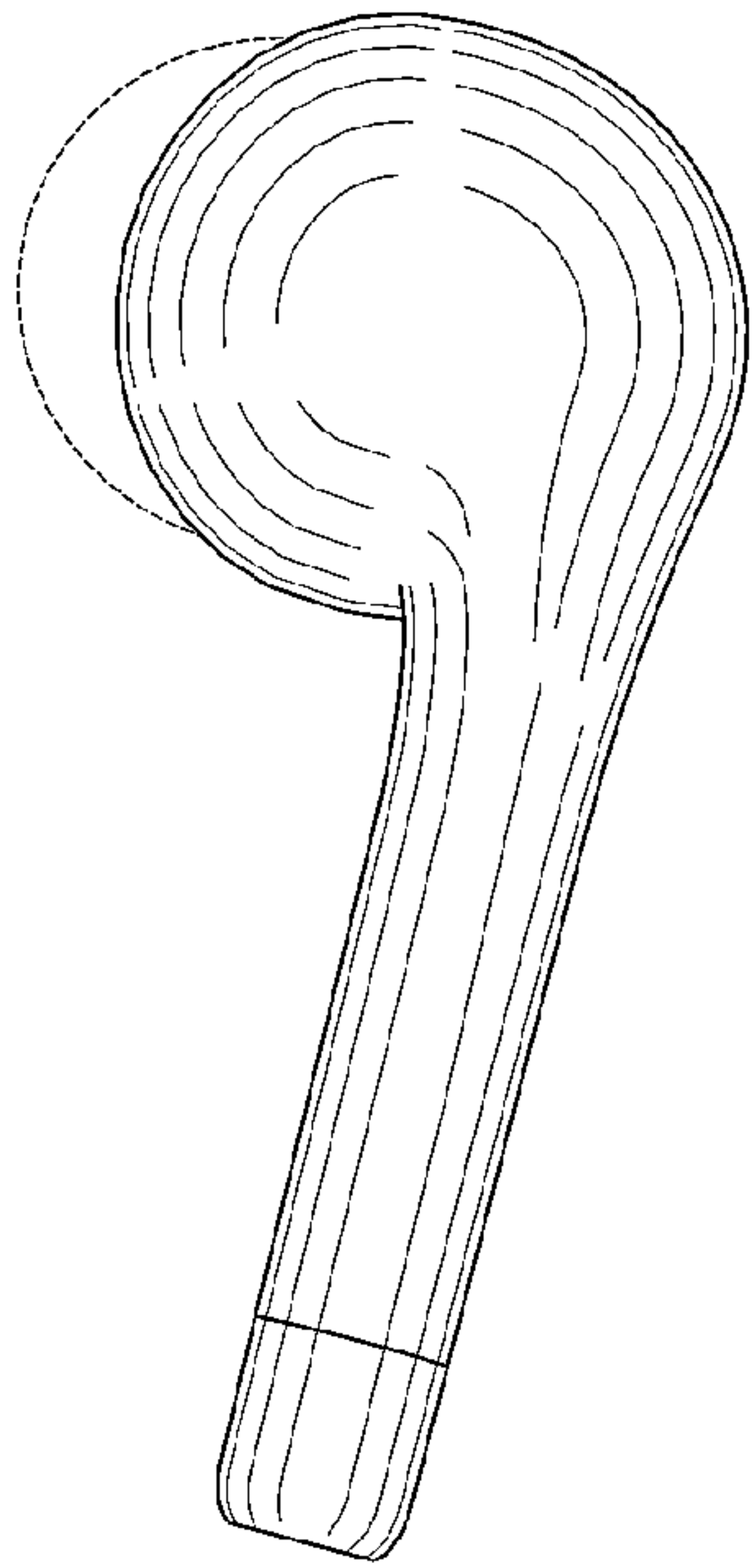


FIG. 8

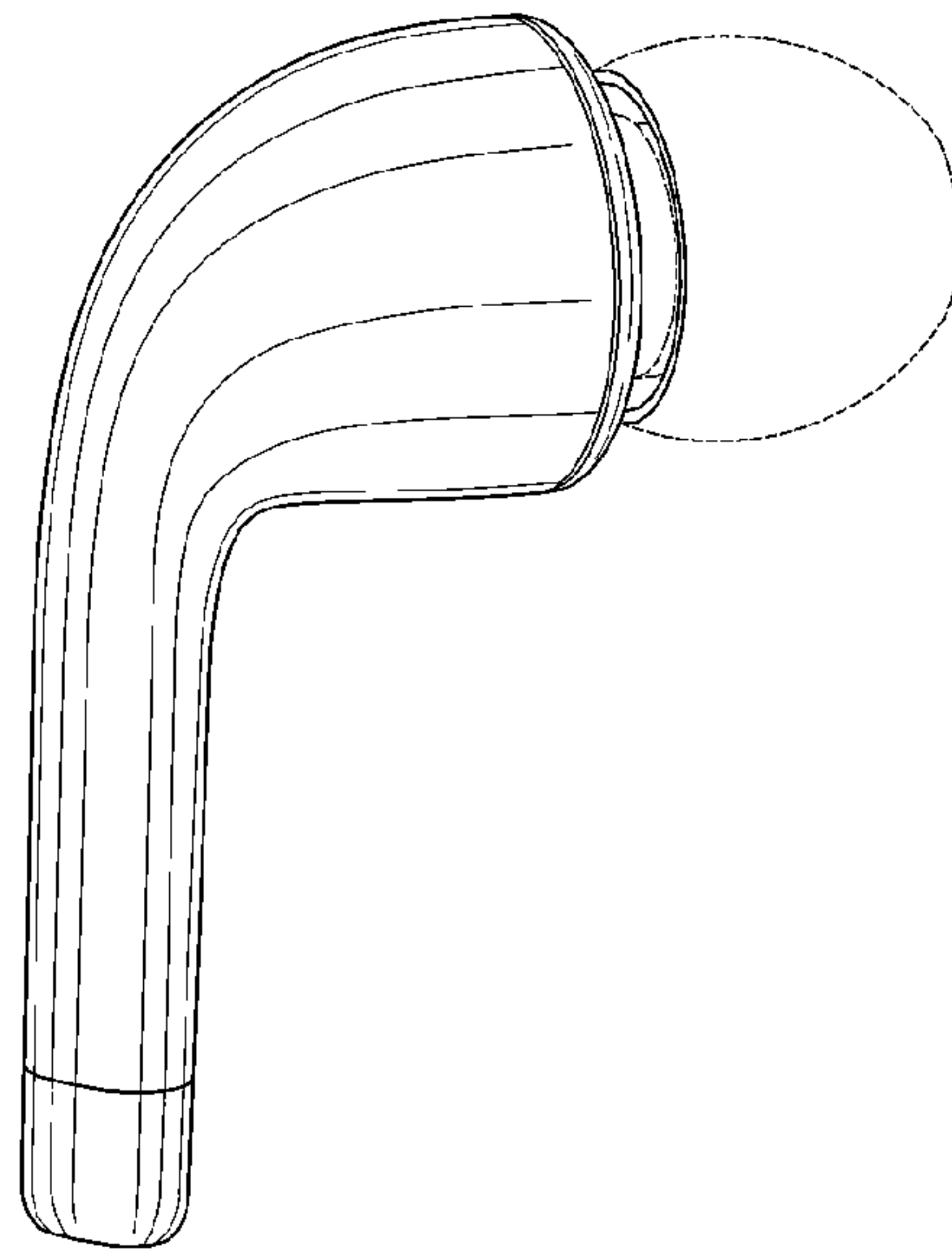


FIG. 9

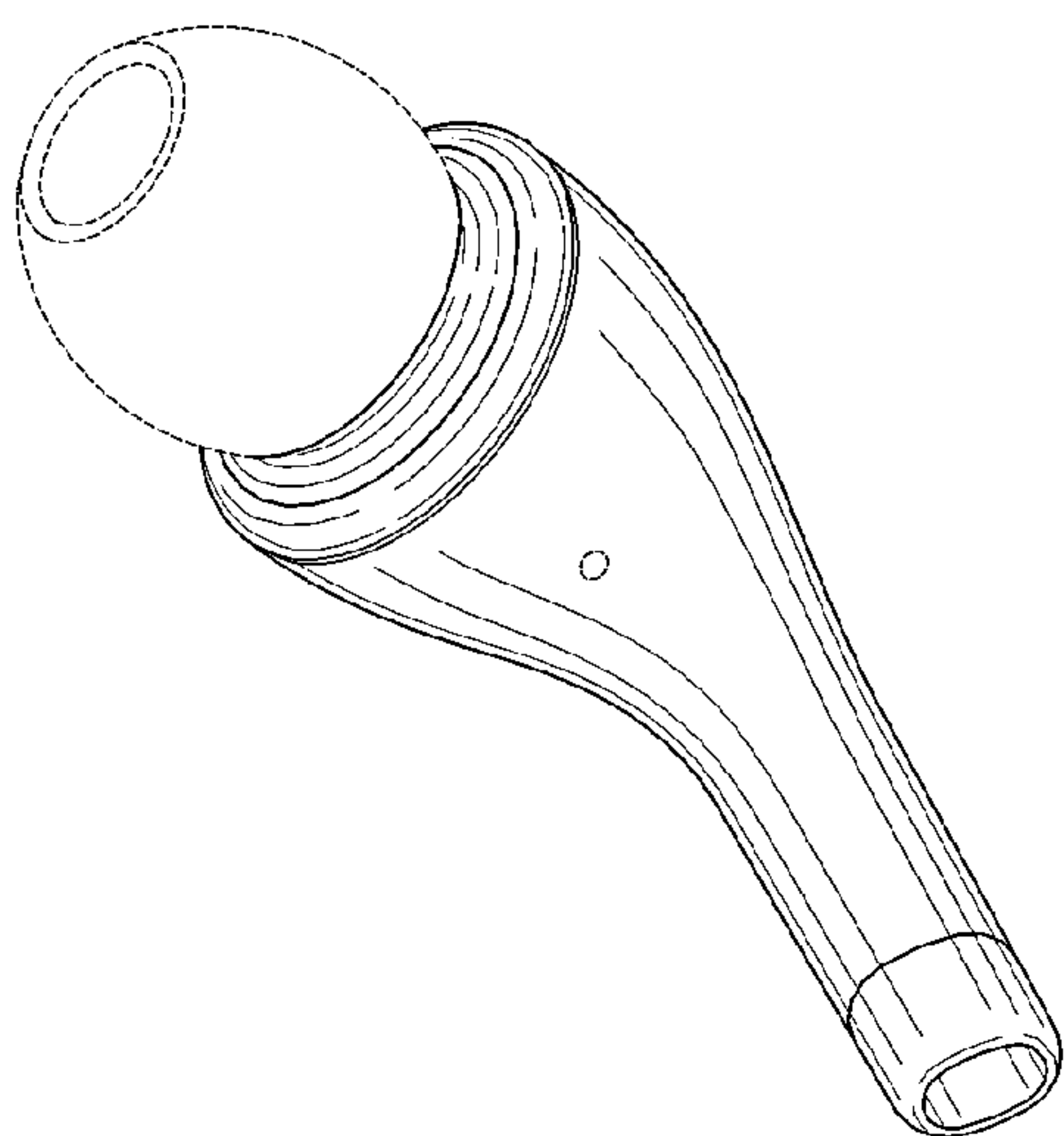


FIG. 10

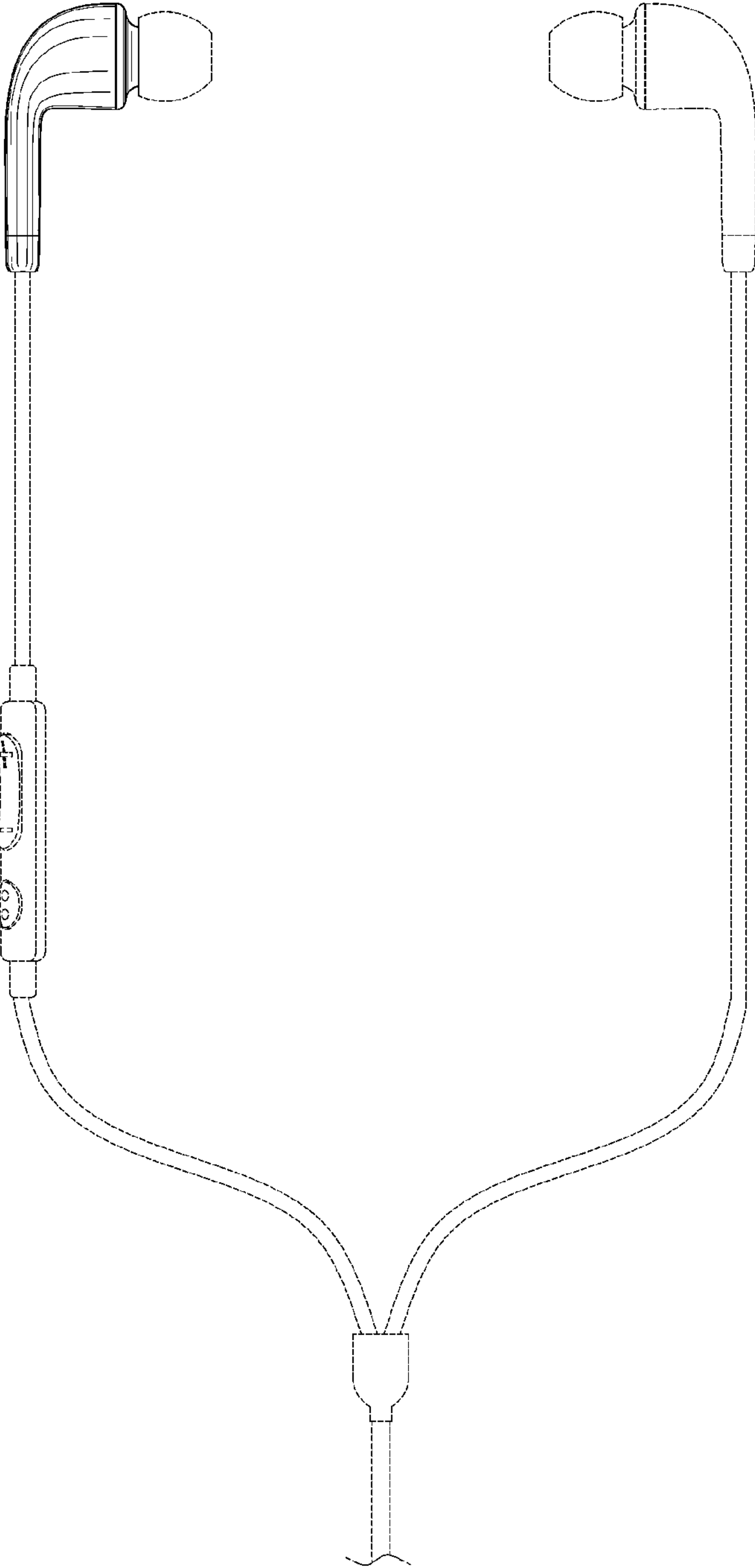


FIG.11