



US00D741286S

(12) **United States Design Patent**
Brennwald et al.

(10) **Patent No.:** **US D741,286 S**
(45) **Date of Patent:** **** Oct. 20, 2015**

(54) **HEADPHONES**

(71) Applicant: **Sennheiser electronic GmbH & Co. KG, Wedemark (DE)**

(72) Inventors: **Joerg Brennwald, Kiel (DE); Chang-Chin Hwang, Kiel (DE)**

(73) Assignee: **Sennheiser electronic GmbH & Co. KG, Wedemark (DE)**

(**) Term: **14 Years**

(21) Appl. No.: **29/458,528**

(22) Filed: **Jun. 20, 2013**

(30) **Foreign Application Priority Data**

Dec. 20, 2012 (EM) 002 156 893-0001

(51) **LOC (10) Cl.** **14-01**

(52) **U.S. Cl.**
USPC **D14/205**

(58) **Field of Classification Search**
USPC D14/205, 188, 191, 192; D29/112;
2/209; 181/129, 130, 135; 379/430,
379/431; 381/374, 380, 381; 455/90.3,
455/575.1

CPC H04R 1/1066
See application file for complete search history.

(56) **References Cited**

U.S. PATENT DOCUMENTS

D321,879 S *	11/1991	Emmerling	D14/192
5,095,382 A *	3/1992	Abe	398/202
D336,646 S *	6/1993	Yamazaki et al.	D14/205
D342,947 S *	1/1994	Totsuka	D14/192
D345,162 S *	3/1994	Yamatogi	D14/205
D348,465 S *	7/1994	Yamatogi	D14/205
D394,062 S *	5/1998	Chun	D14/192
5,812,680 A *	9/1998	Glendon	381/322
D405,449 S *	2/1999	Nakamura et al.	D14/205
D411,200 S *	6/1999	Almqvist	D14/192

D439,574 S *	3/2001	Katayama	D14/203.5
D453,015 S *	1/2002	Yuyama	D14/205
D457,874 S *	5/2002	Yoneda	D14/205
D459,033 S *	6/2002	Dix et al.	D29/112
D467,895 S *	12/2002	Hirano	D14/192
D476,639 S *	7/2003	Bergeron et al.	D14/205
D491,163 S *	6/2004	Green	D14/205
D502,492 S *	3/2005	Chiang	D16/311
D514,087 S *	1/2006	Wilson et al.	D14/206
D530,306 S *	10/2006	Wang et al.	D14/189
D538,261 S *	3/2007	Taylor et al.	D14/205
D541,255 S *	4/2007	Taylor et al.	D14/205
D583,800 S *	12/2008	Jaakkola et al.	D14/205
D592,182 S *	5/2009	Sanguinetti	D14/205
D592,640 S *	5/2009	Tkachuk	D14/205
D637,176 S *	5/2011	Brunner et al.	D14/205
D641,727 S *	7/2011	Krauss et al.	D14/206

(Continued)

Primary Examiner — Paula Greene

(74) *Attorney, Agent, or Firm* — Frommer Lawrence & Haug LLP

(57) **CLAIM**

The ornamental design for headphones, as shown and described.

DESCRIPTION

FIG. 1 is a perspective view of the headphones in accordance with the invention.

FIG. 2 is a front view of the headphones in accordance with the invention.

FIG. 3 is a back view of the headphones in accordance with the invention.

FIG. 4 is a left side view of the headphones in accordance with the invention.

FIG. 5 is a right view of the headphones in accordance with the invention.

FIG. 6 is a top view of the headphones in accordance with the invention; and,

FIG. 7 is a bottom view of the headphones in accordance with the invention.

The broken lines form no part of the claimed design.

1 Claim, 7 Drawing Sheets



(56)

References Cited

U.S. PATENT DOCUMENTS

D648,318 S *	11/2011	Huang	D14/206	D691,984 S *	10/2013	Wang	D14/205
D661,684 S *	6/2012	Frey	D14/205	D698,334 S *	1/2014	Fujioka	D14/205
D671,522 S *	11/2012	Lee et al.	D14/205	D705,750 S *	5/2014	Wu et al.	D14/205
D673,518 S *	1/2013	Tan	D14/205	D707,653 S *	6/2014	Hardi	D14/205
D673,520 S *	1/2013	Tan	D14/205	D707,654 S *	6/2014	Nguyen et al.	D14/205
D685,345 S *	7/2013	Serota	D14/205	D711,850 S *	8/2014	Ang	D14/205
D691,109 S *	10/2013	Hardi et al.	D14/205	D716,256 S *	10/2014	Ang	D14/205
D691,582 S *	10/2013	Nguyen et al.	D14/205	D717,276 S *	11/2014	Zhou	D14/205
				D721,053 S *	1/2015	Fujioka	D14/205
				2009/0003616 A1 *	1/2009	Kleinschmidt et al.	381/71.6

* cited by examiner

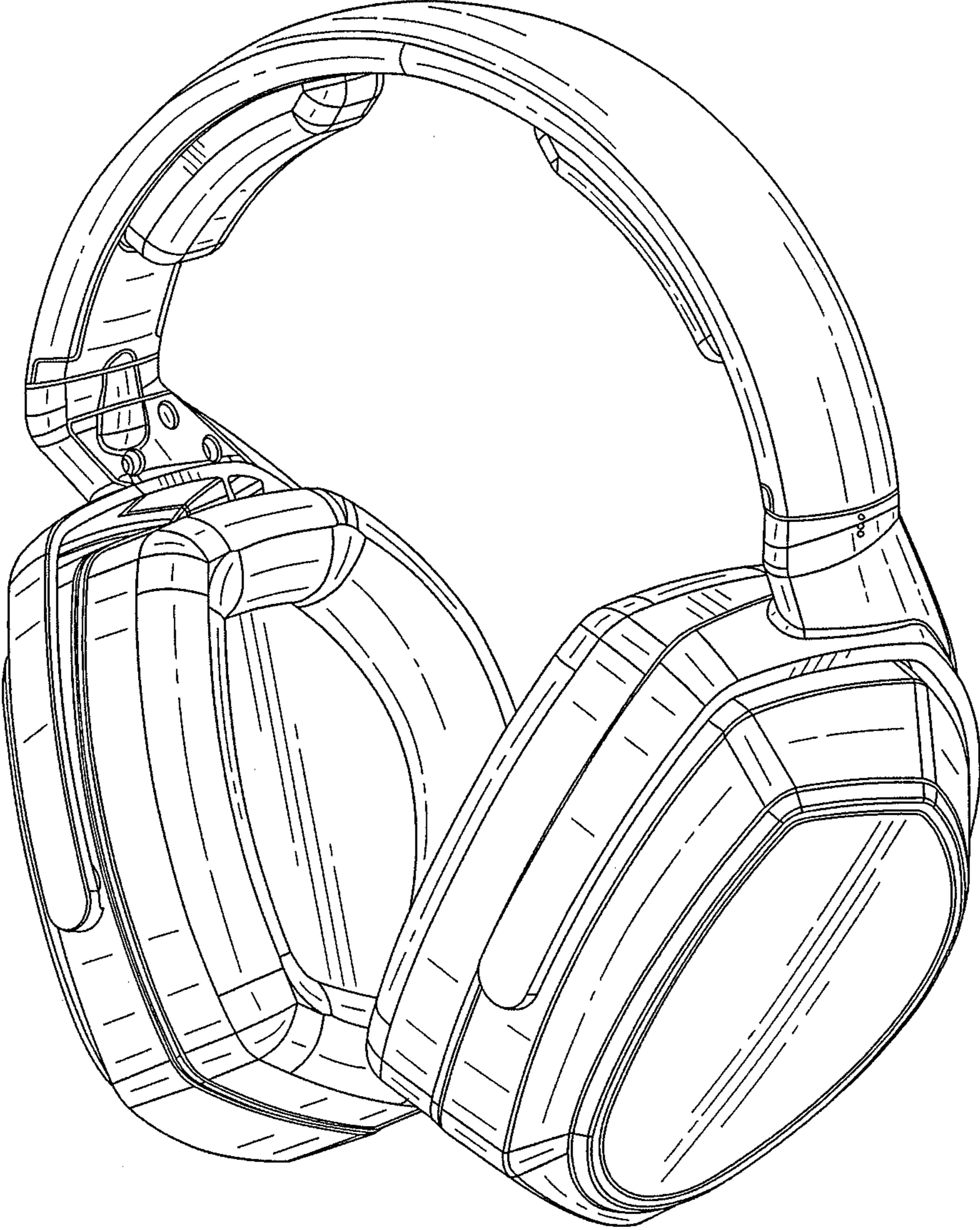


Fig. 1



Fig. 2

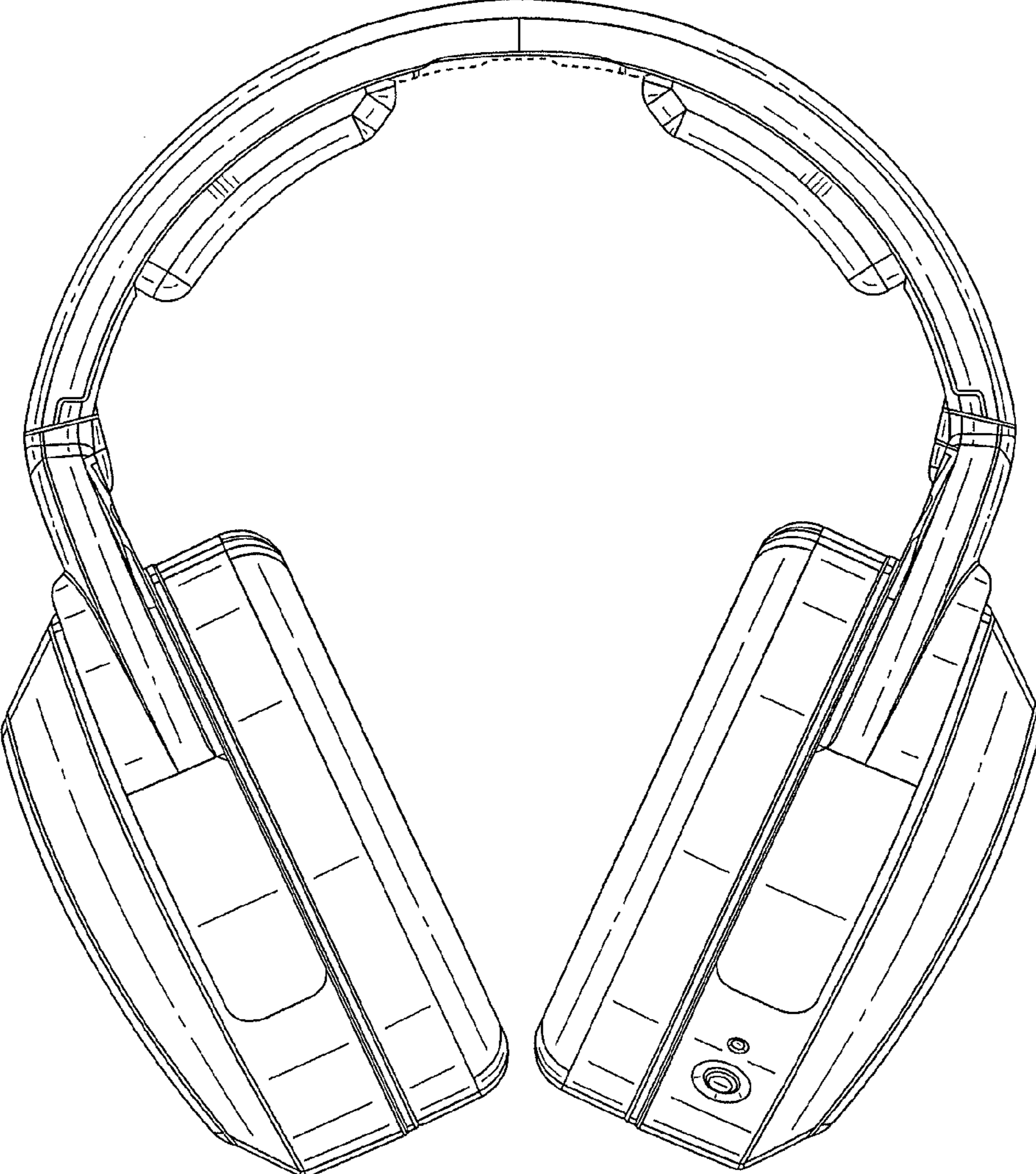


Fig. 3

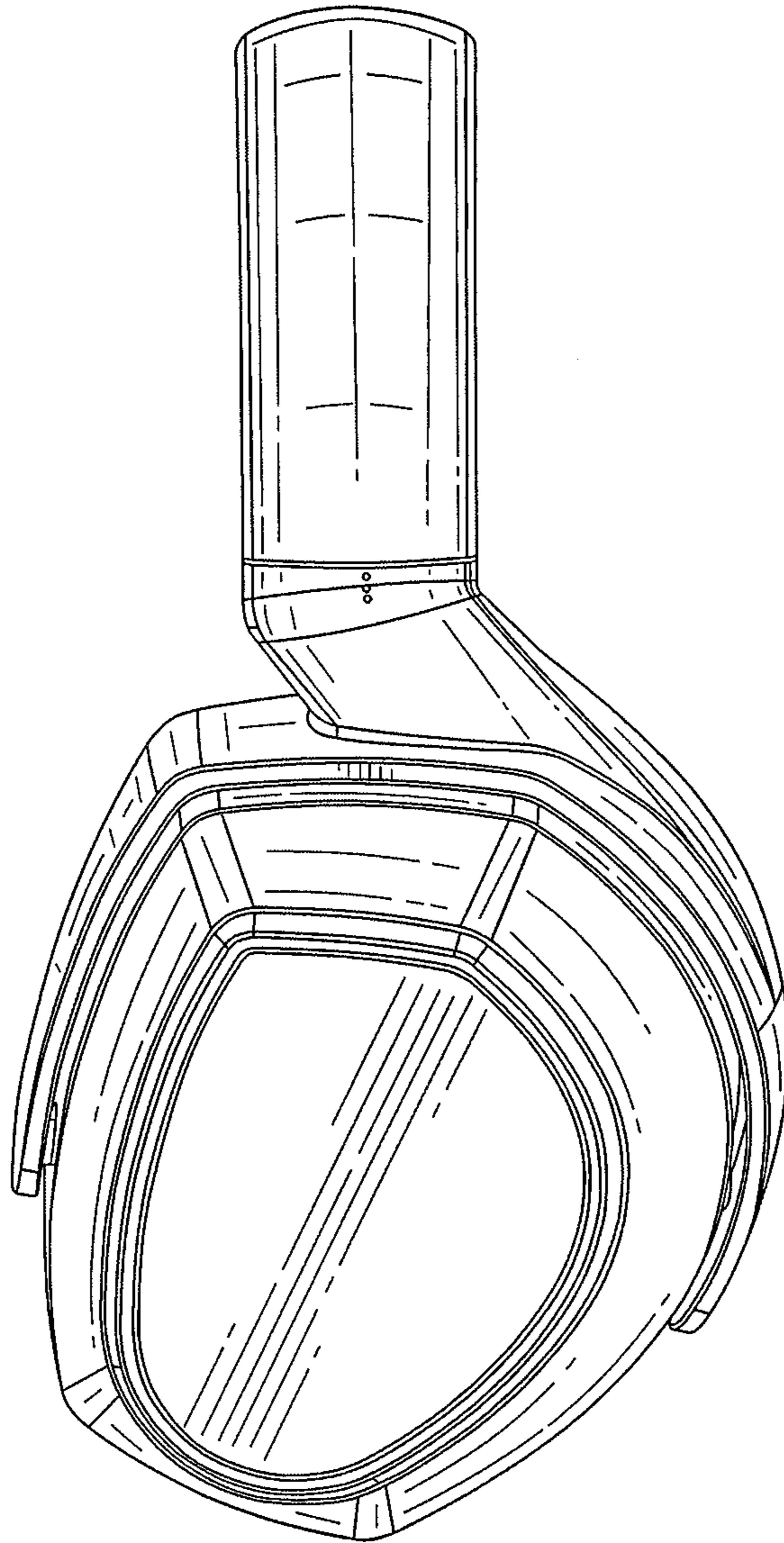


Fig. 4

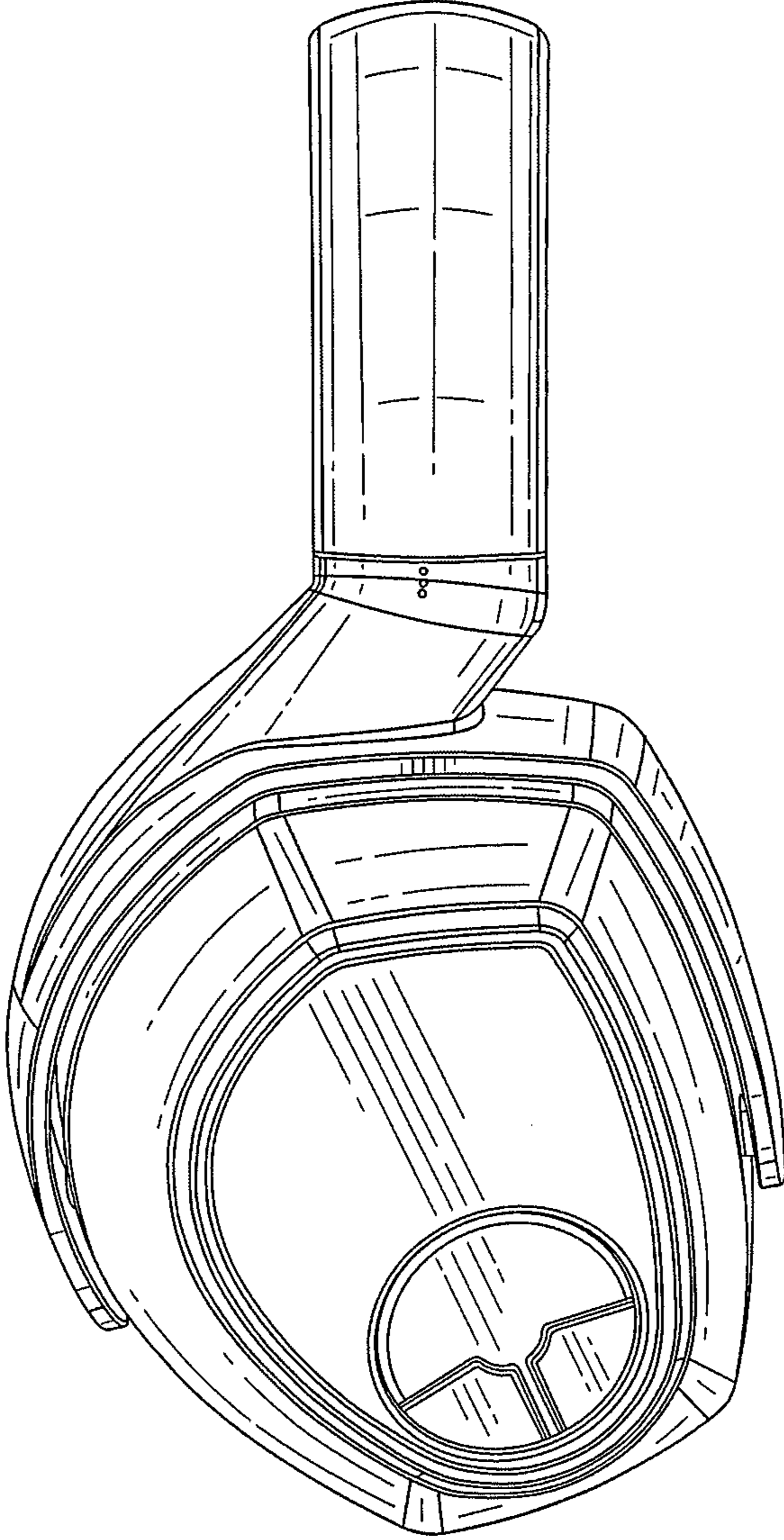


Fig. 5

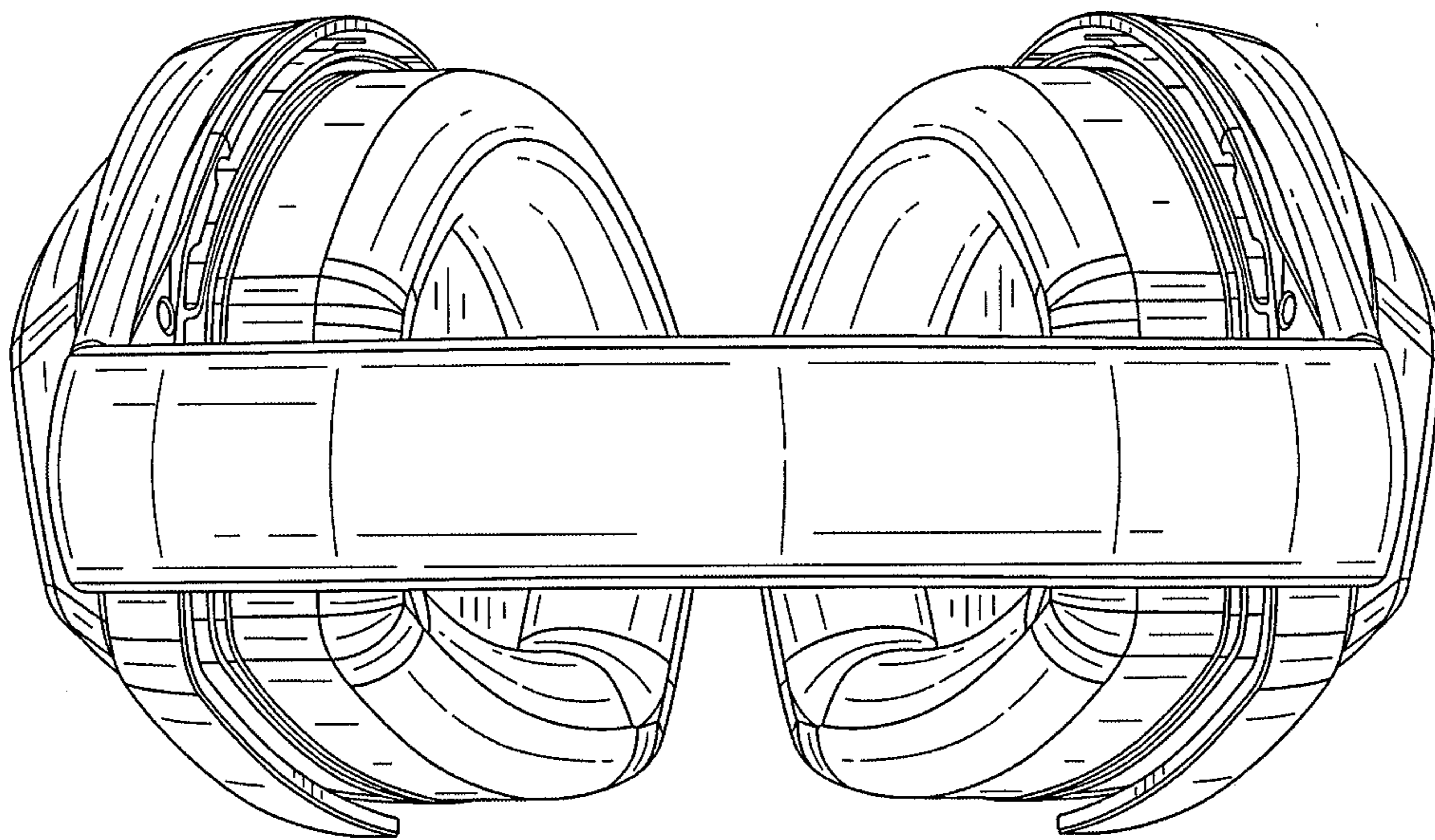


Fig. 6

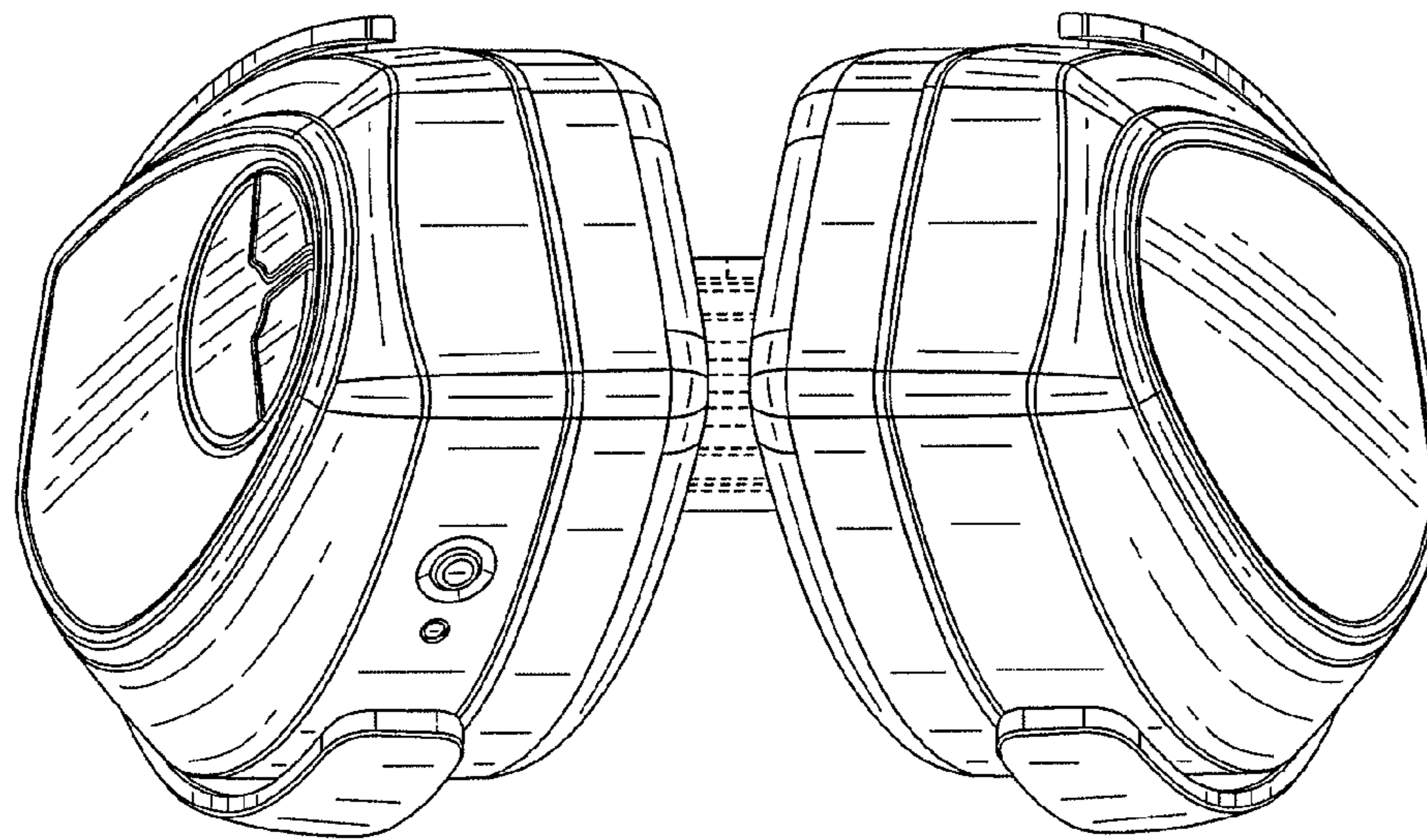


Fig. 7