



US00D741278S

(12) **United States Design Patent**
Kang et al.

(10) **Patent No.:** **US D741,278 S**
(45) **Date of Patent:** **** Oct. 20, 2015**

(54) **MONITOR**

(56) **References Cited**

(71) Applicant: **LG Electronics Inc.**, Seoul (KR)

U.S. PATENT DOCUMENTS

(72) Inventors: **Seokkyu Kang**, Seoul (KR); **Sanghyeun Son**, Incheon (KR); **Ilsoo Yeom**, Seoul (KR); **Younghun Jang**, Seoul (KR); **Hongyoul Choi**, Gyeonggi-do (KR)

D528,517 S	*	9/2006	Izumi	D14/126
D528,518 S	*	9/2006	Kim	D14/126
D579,426 S	*	10/2008	Kim et al.	D14/126
D629,372 S	*	12/2010	Lim et al.	D14/126
D643,002 S	*	8/2011	Choi et al.	D14/126
D646,242 S	*	10/2011	Honda	D14/126
D718,264 S	*	11/2014	Park et al.	D14/126
D719,119 S	*	12/2014	Park et al.	D14/126
D722,300 S	*	2/2015	Won	D14/126
D723,487 S	*	3/2015	Lee et al.	D14/126
D728,498 S	*	5/2015	Park et al.	D14/126
D728,499 S	*	5/2015	Park et al.	D14/126
D728,500 S	*	5/2015	Park et al.	D14/126
D729,185 S	*	5/2015	Park et al.	D14/126

(73) Assignee: **LG Electronics Inc.**, Seoul (KR)

(**) Term: **14 Years**

(21) Appl. No.: **29/490,823**

* cited by examiner

(22) Filed: **May 14, 2014**

Primary Examiner — Raphael Barkai

(30) **Foreign Application Priority Data**

(74) *Attorney, Agent, or Firm* — Morgan, Lewis & Bockius LLP

Nov. 18, 2013 (KR) 30-2013-0057943

(51) **LOC (10) Cl.** **14-03**

(57) **CLAIM**

The ornamental design for a monitor, as shown and described.

(52) **U.S. Cl.**

DESCRIPTION

USPC **D14/126**; D14/129

(58) **Field of Classification Search**

USPC D14/125–134, 239, 371, 136, 374–377, D14/440, 450, 448, 336, 342, 159; 312/7.2; 348/836, 838, 180, 184, 325, 739; 248/917–924, 465; 345/104, 133, 156, 345/168, 87, 173; D21/329, 515, 577, 622, D21/333, 433, 448, 452, 450, 331, 505; D10/15, 26; 446/484, 175, 356; D6/477, 479, 300

FIG. 1 is a perspective view of a monitor showing our new design;
FIG. 2 is a front view thereof;
FIG. 3 is a rear view thereof;
FIG. 4 is a left side view thereof;
FIG. 5 is a right side view thereof;
FIG. 6 is a top plan view thereof;
FIG. 7 is a bottom plan view thereof;
FIG. 8 is a perspective view thereof in a condition that a mobile phone has been docked; and,
FIG. 9 is a perspective view thereof in a condition that the docking part has been swivelled backwards.
The broken lines show unclaimed subject matter only and form no part of the claimed design.

CPC ... G06F 1/1601; G06F 1/1643; H05K 5/0004; H05K 5/0017; H05K 5/02; H05K 5/0217

See application file for complete search history.

1 Claim, 9 Drawing Sheets

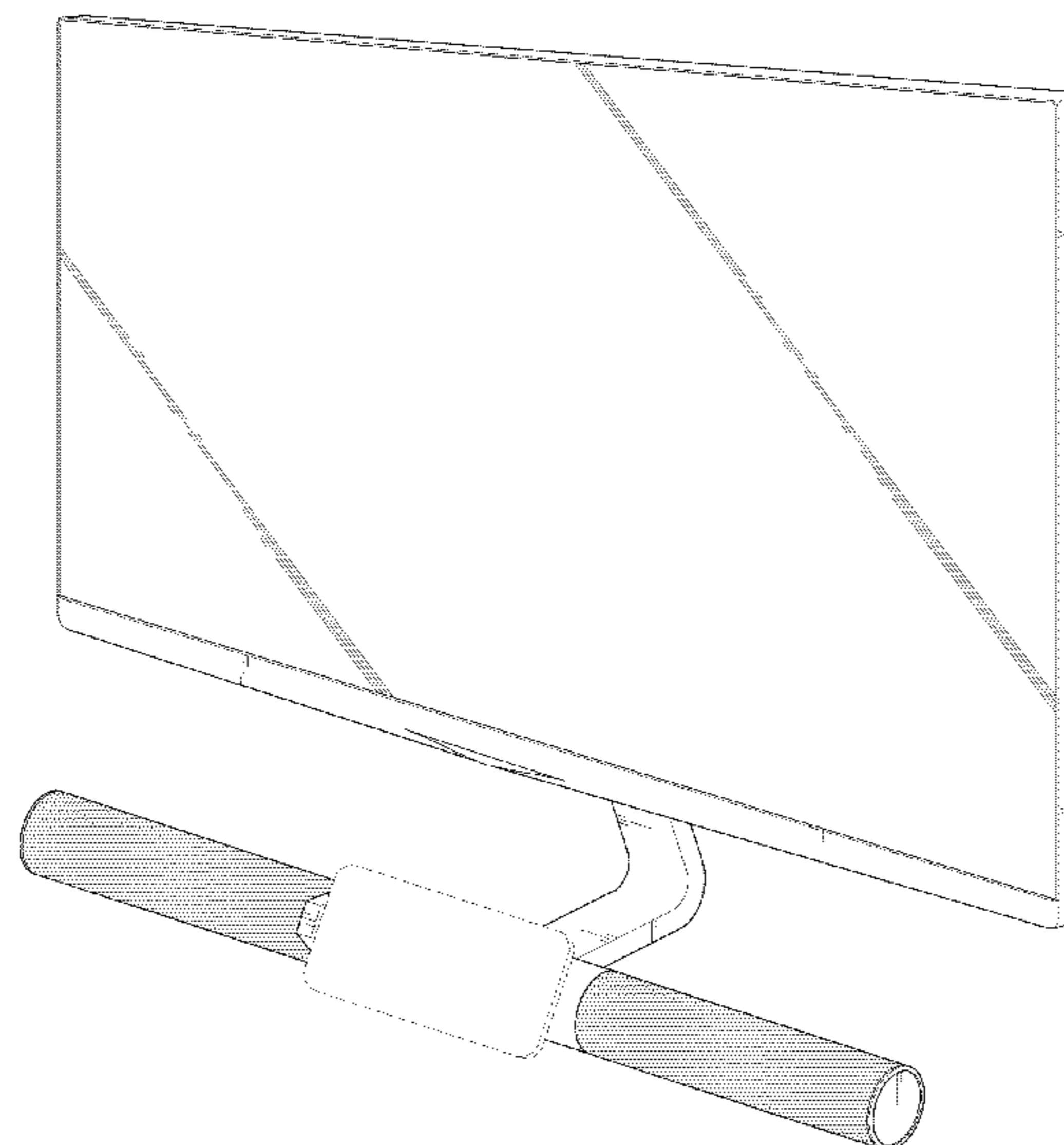


FIG. 1

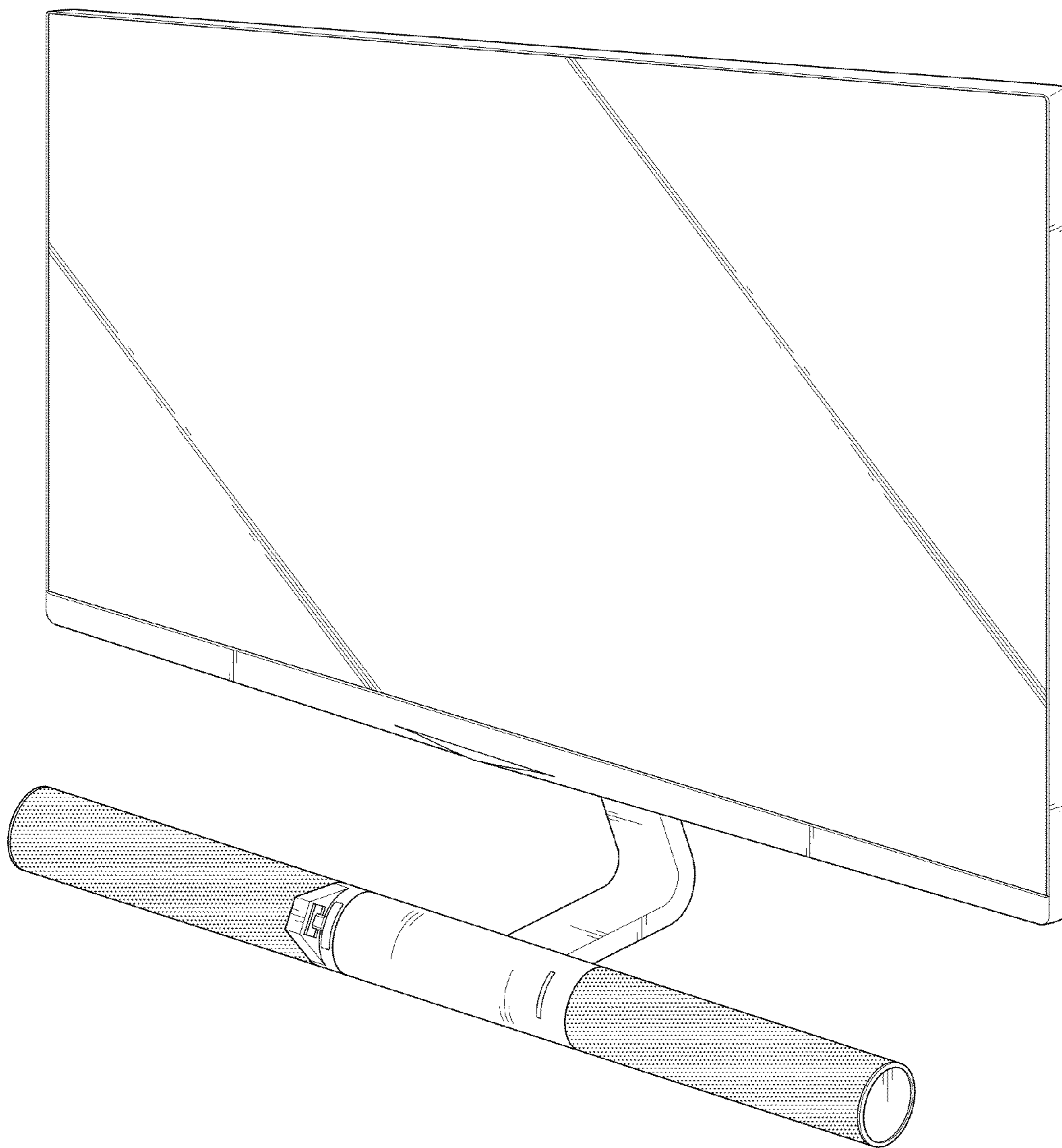


FIG. 2

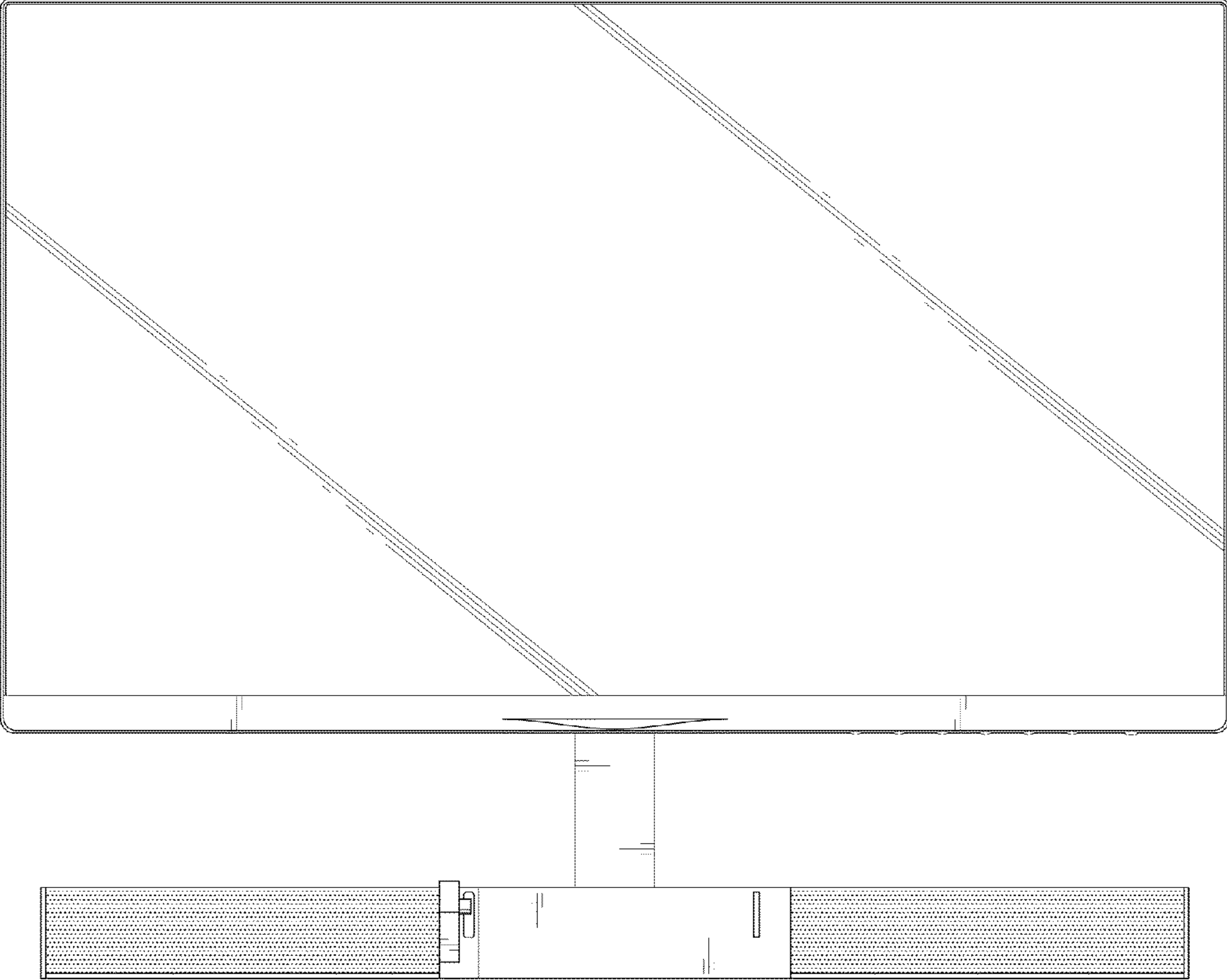


FIG. 3

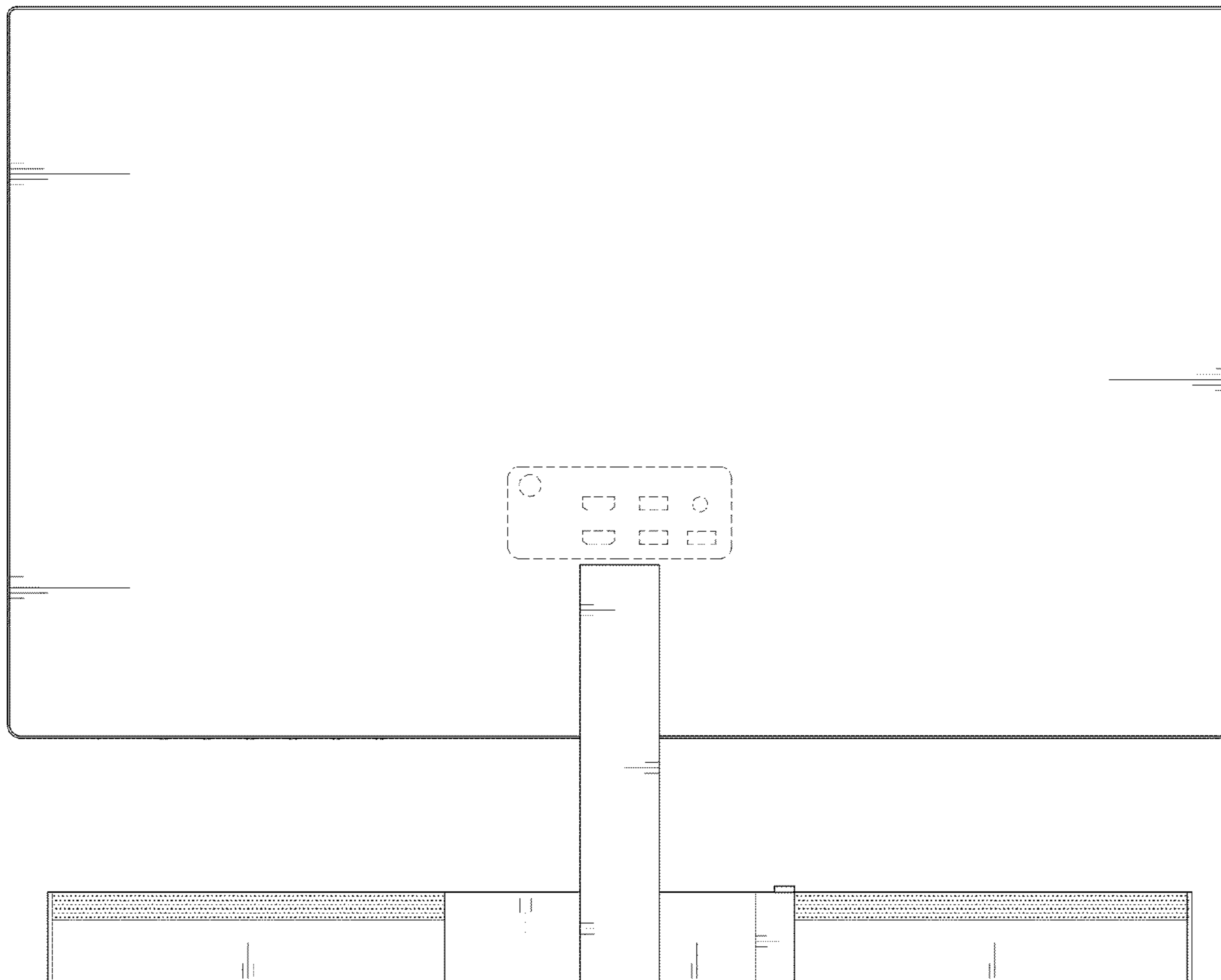


FIG. 4

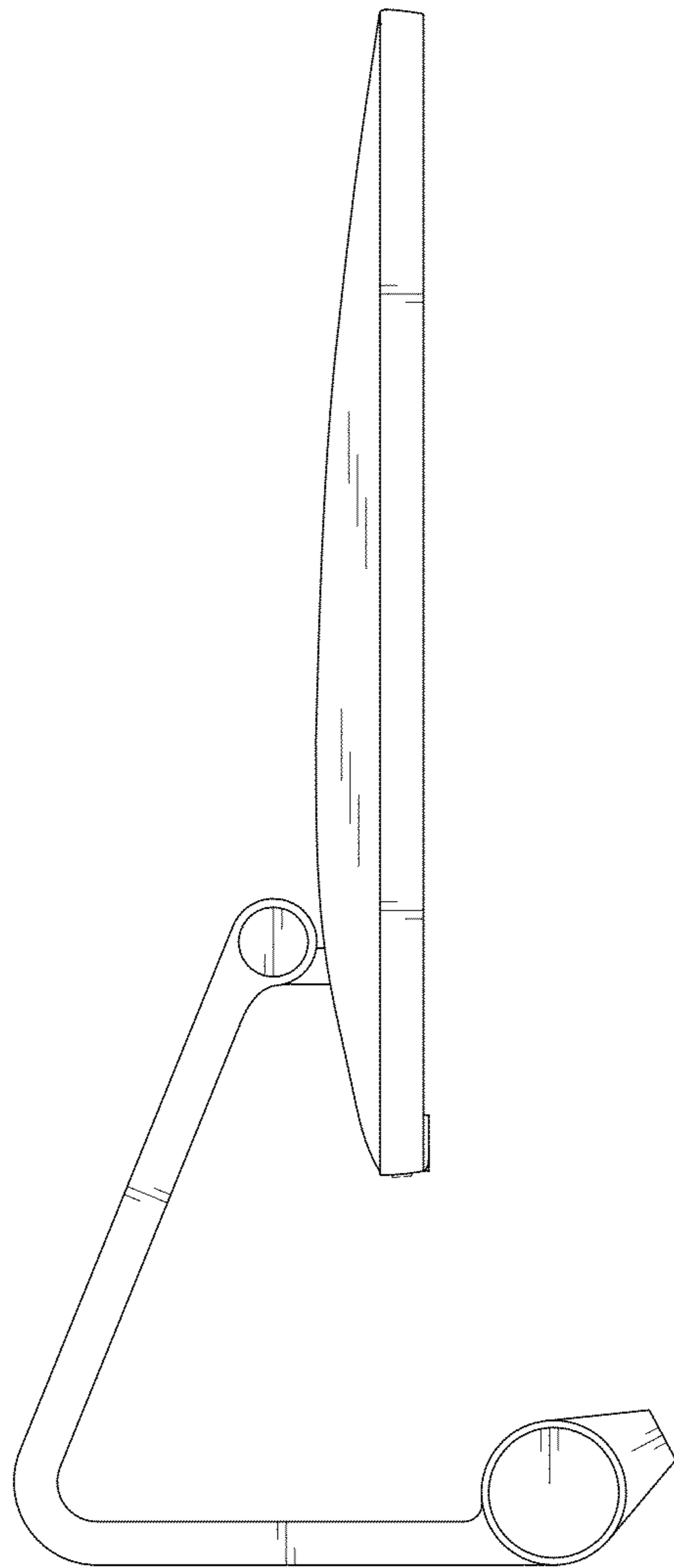


FIG. 5

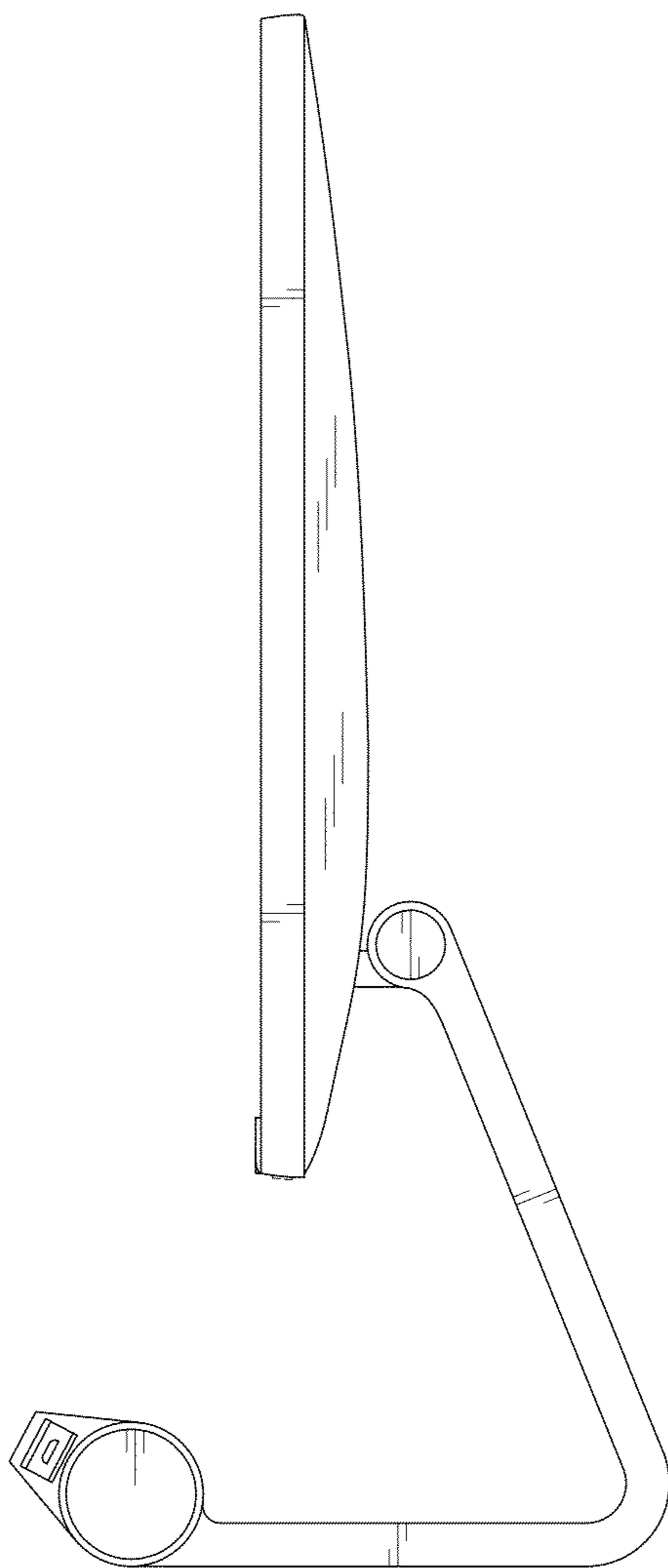


FIG. 6

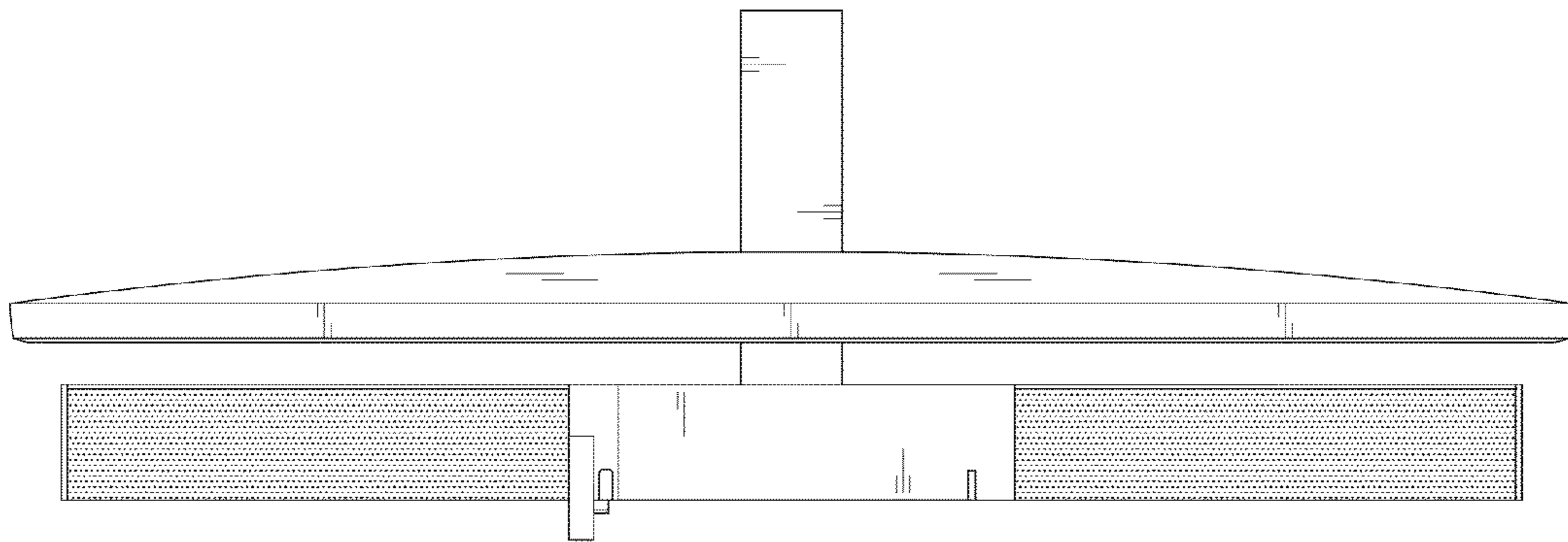


FIG. 7

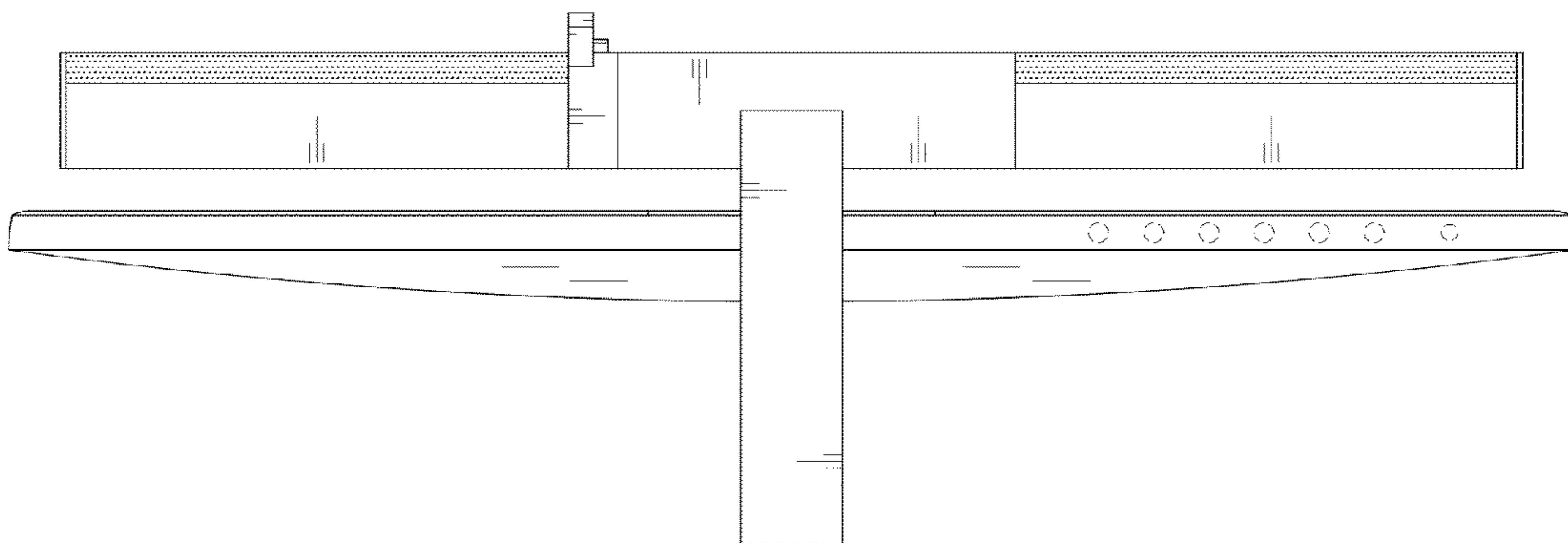


FIG. 8

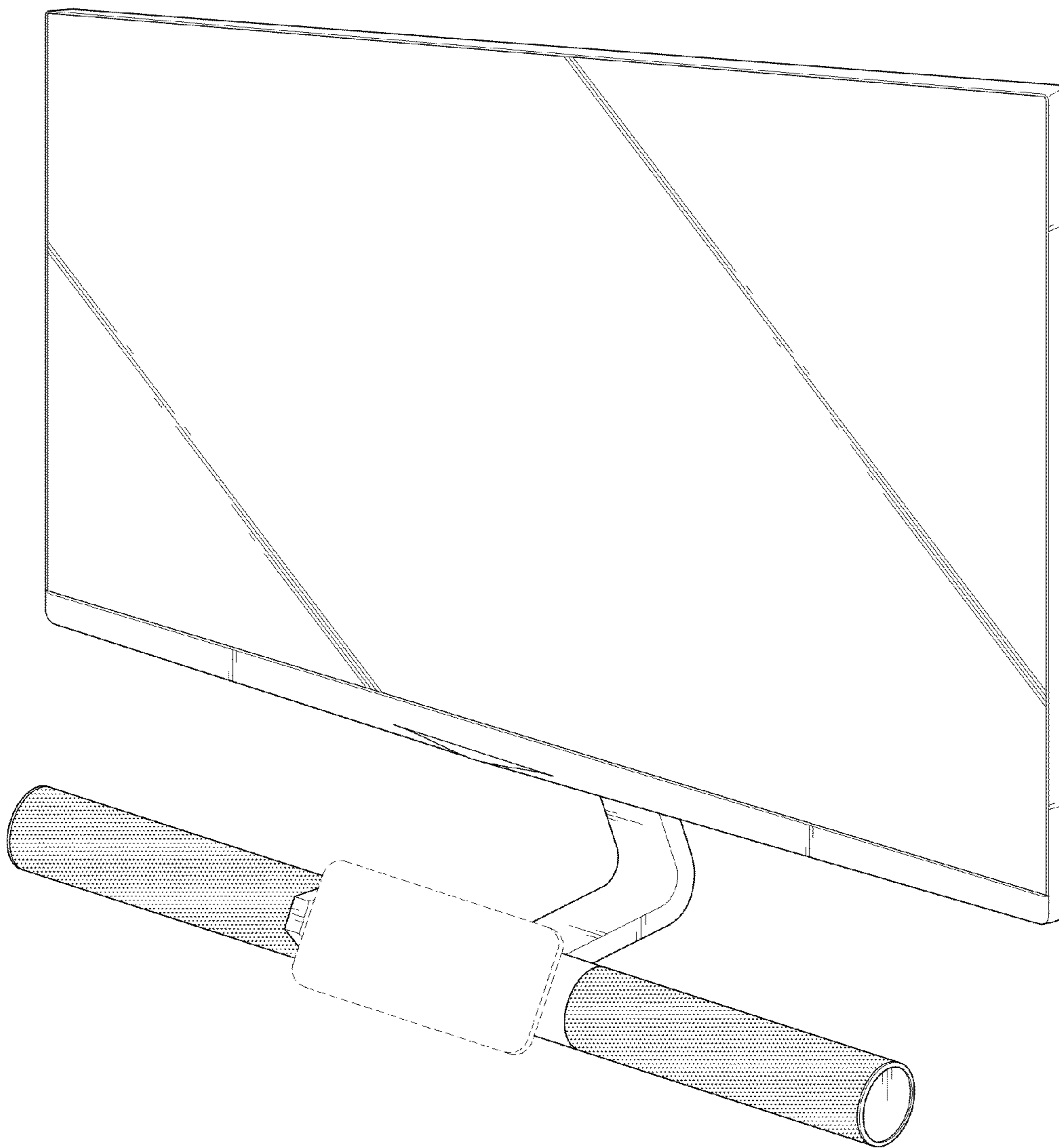


FIG. 9

