



US00D741276S

(12) **United States Design Patent**
Shin et al.

(10) **Patent No.:** **US D741,276 S**
(45) **Date of Patent:** **** Oct. 20, 2015**

(54) **TELEVISION RECEIVER**

(56) **References Cited**

(71) Applicant: **Samsung Electronics Co., Ltd.**,
Suwon-si, Gyeonggi-do (KR)
(72) Inventors: **Rina Shin**, Seoul (KR); **Hyung-Ho Hwangbo**, Seoul (KR); **Hae-Sung Park**, Seoul (KR); **Christopher Edward Bangle**, Clavesana (IT); **Nam-Hyun Park**, Namyangju-Si (KR); **Do-Sung Jung**, Seoul (KR)
(73) Assignee: **SAMSUNG ELECTRONICS CO., LTD.** (KR)

U.S. PATENT DOCUMENTS

D262,664	S	*	1/1982	Willits, Jr.	D6/308
D290,702	S	*	7/1987	Stern et al.	D14/375
D370,355	S	*	6/1996	Kenney	D6/310
D403,670	S	*	1/1999	Liao	D14/375
D408,383	S	*	4/1999	Carter et al.	D14/374
D524,312	S	*	7/2006	Young	D14/375
D545,782	S	*	7/2007	Schiller et al.	D14/126
D626,925	S	*	11/2010	Li	D14/126
D712,867	S	*	9/2014	Vats	D14/375
D713,843	S	*	9/2014	Erdogan	D14/341
D715,756	S	*	10/2014	Lim et al.	D14/126
D717,756	S	*	11/2014	Park et al.	D14/126
2013/0155595	A1	*	6/2013	Herring et al.	361/679.21

* cited by examiner

Primary Examiner — Susan Bennett Hattan

Assistant Examiner — Brett Miller

(74) *Attorney, Agent, or Firm* — Cantor Colburn LLP

(**) Term: **14 Years**

(21) Appl. No.: **29/472,291**

(22) Filed: **Nov. 11, 2013**

(30) **Foreign Application Priority Data**

May 11, 2013 (KR) 30-2013-0024888

(51) **LOC (10) Cl.** **14-03**

(52) **U.S. Cl.**
USPC **D14/126**

(58) **Field of Classification Search**
USPC D14/371-382, 125-134, 239, 448-452,
D14/136, 341, 479, 389, 397, 308, 412, 157,
D14/155, 511, 432, 498, 138 AD, 336, 337,
D14/447; 361/679.02; 348/836, 838, 180,
348/184, 325, 739; 248/917-924, 465;
345/104; D6/300, 301, 302, 308,
D6/310-314; D21/392; D18/18; D19/113
CPC G01F 1/1601

See application file for complete search history.

(57) **CLAIM**

The ornamental design for a television receiver, as shown and described.

DESCRIPTION

FIG. 1 is a perspective view of a television receiver, showing our new design;
FIG. 2 is a front view thereof;
FIG. 3 is a rear view thereof;
FIG. 4 is a side view thereof;
FIG. 5 is a another side view thereof;
FIG. 6 is a top plan view thereof;
FIG. 7 is a bottom plan view thereof;
FIG. 8 is a rear perspective view thereof; and,
FIG. 9 is a cross section view from line '9-9' in FIG. 2 of the encircled portion '9' in FIG. 4.
The shade lines in the figures show contour and not surface ornamentation.

1 Claim, 7 Drawing Sheets

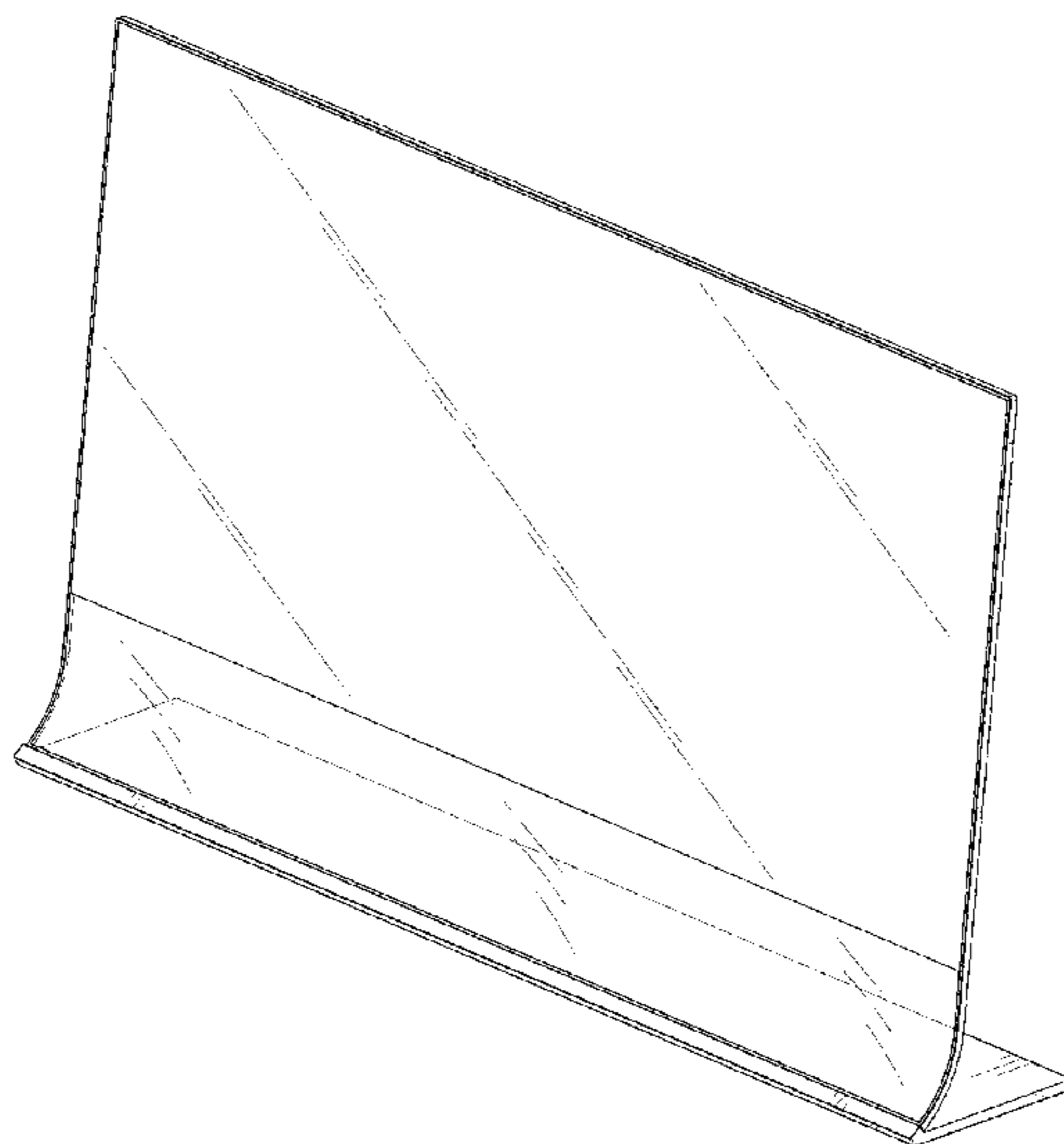


FIG. 1

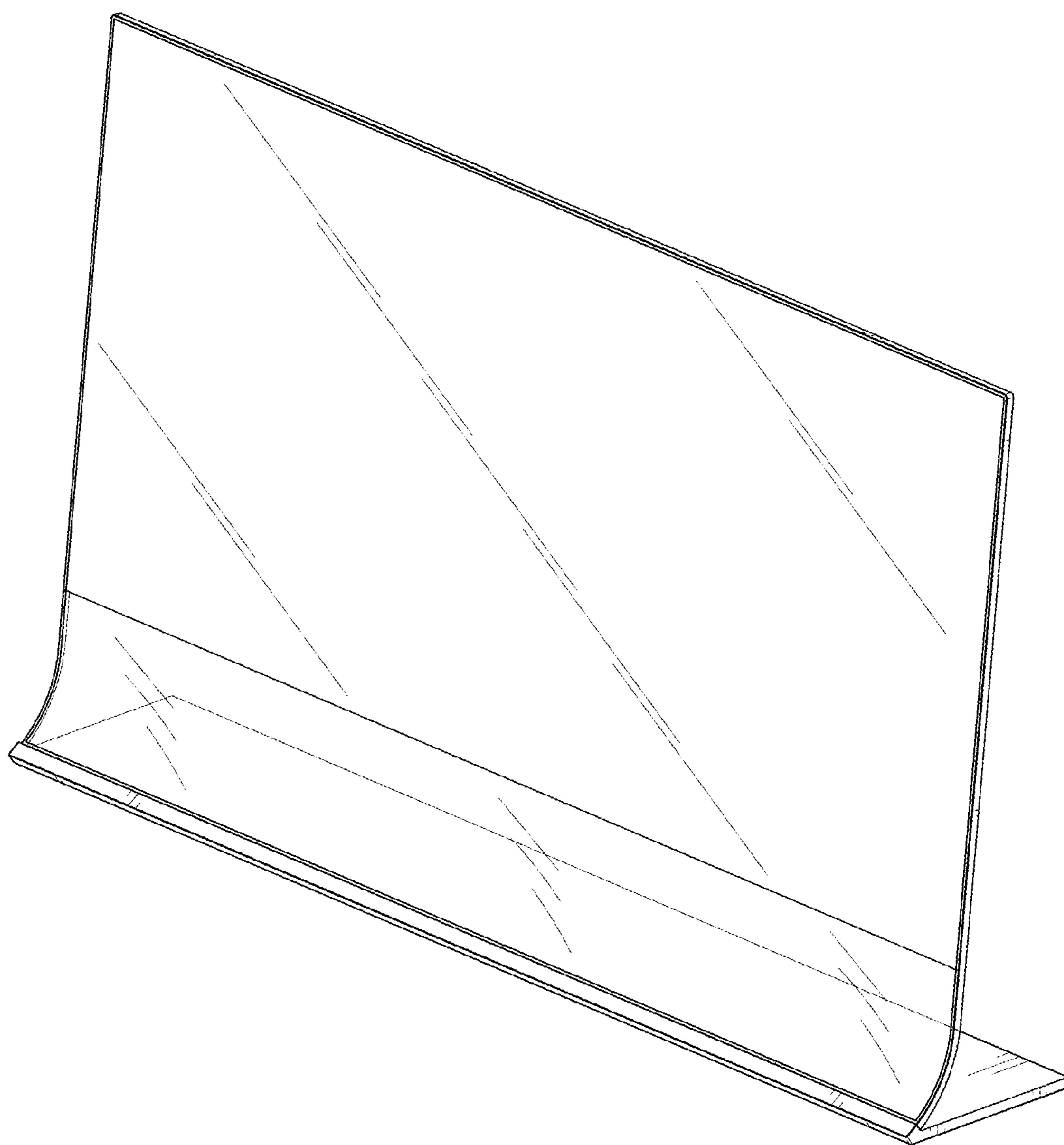


FIG. 2

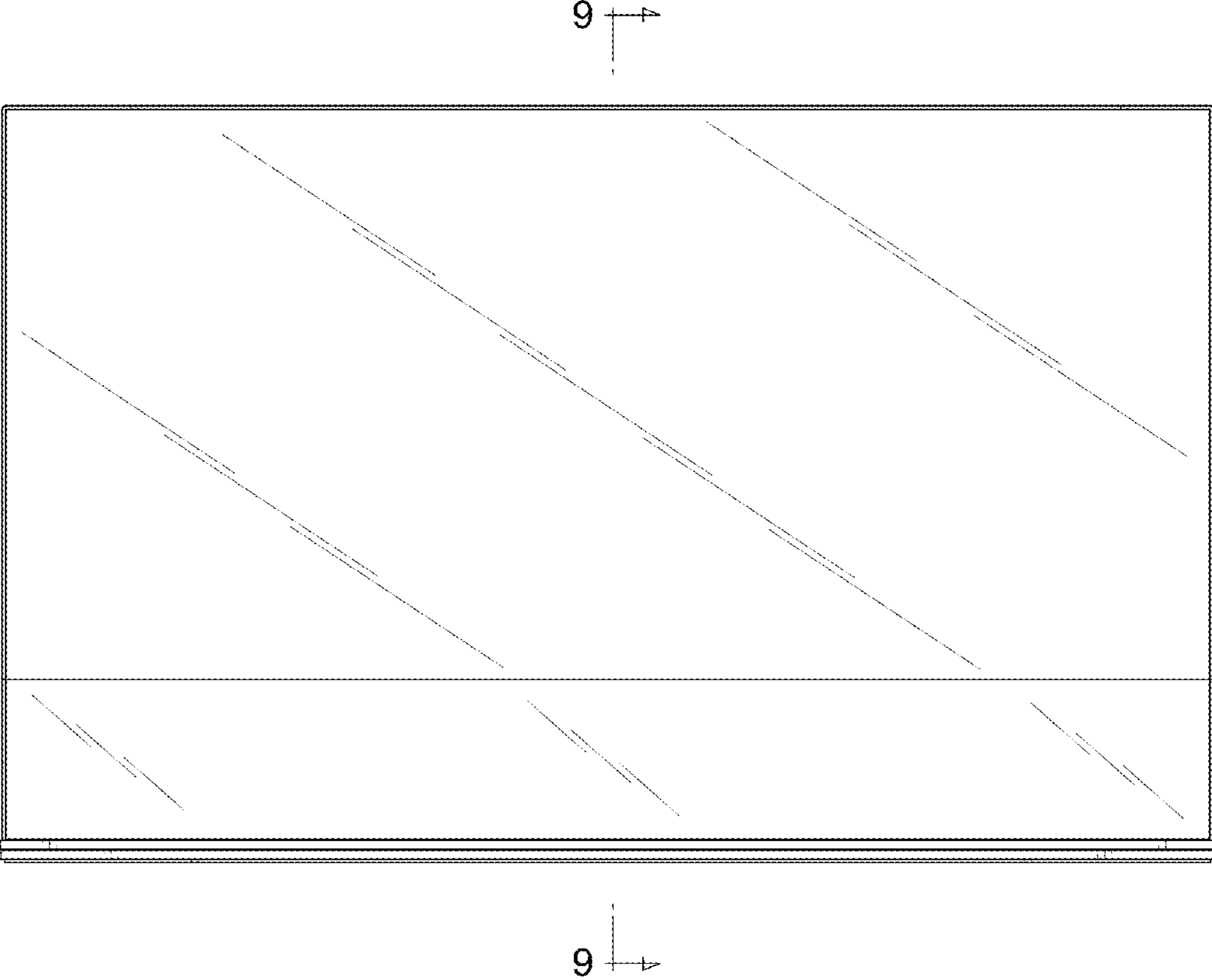


FIG. 3

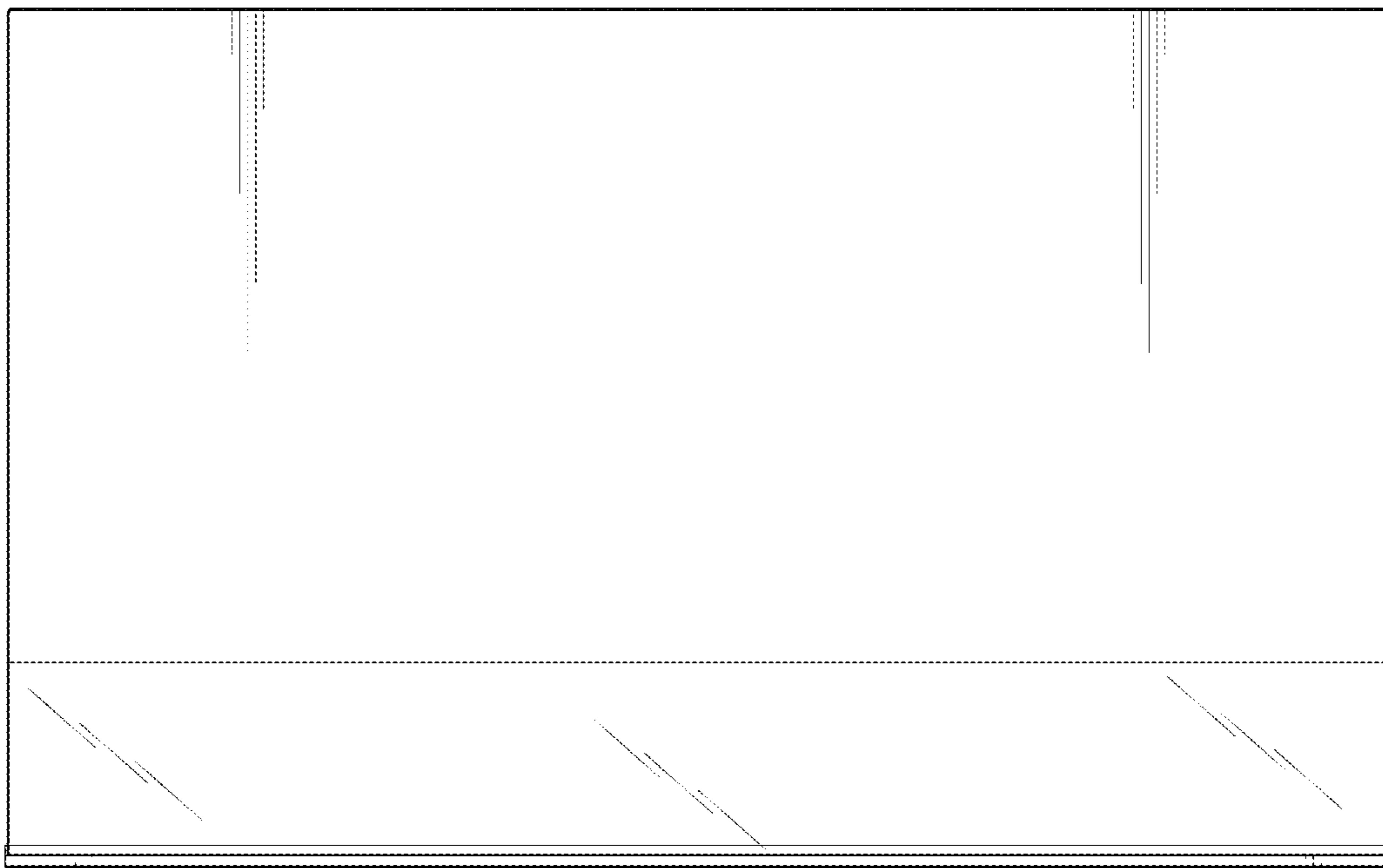


FIG. 4

FIG. 5

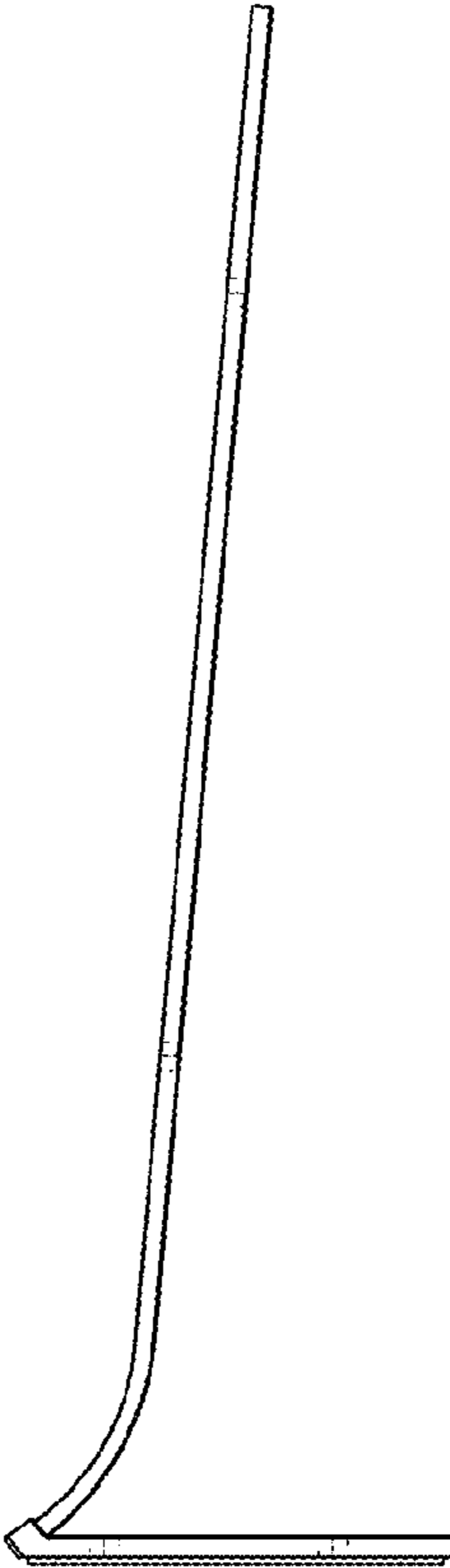
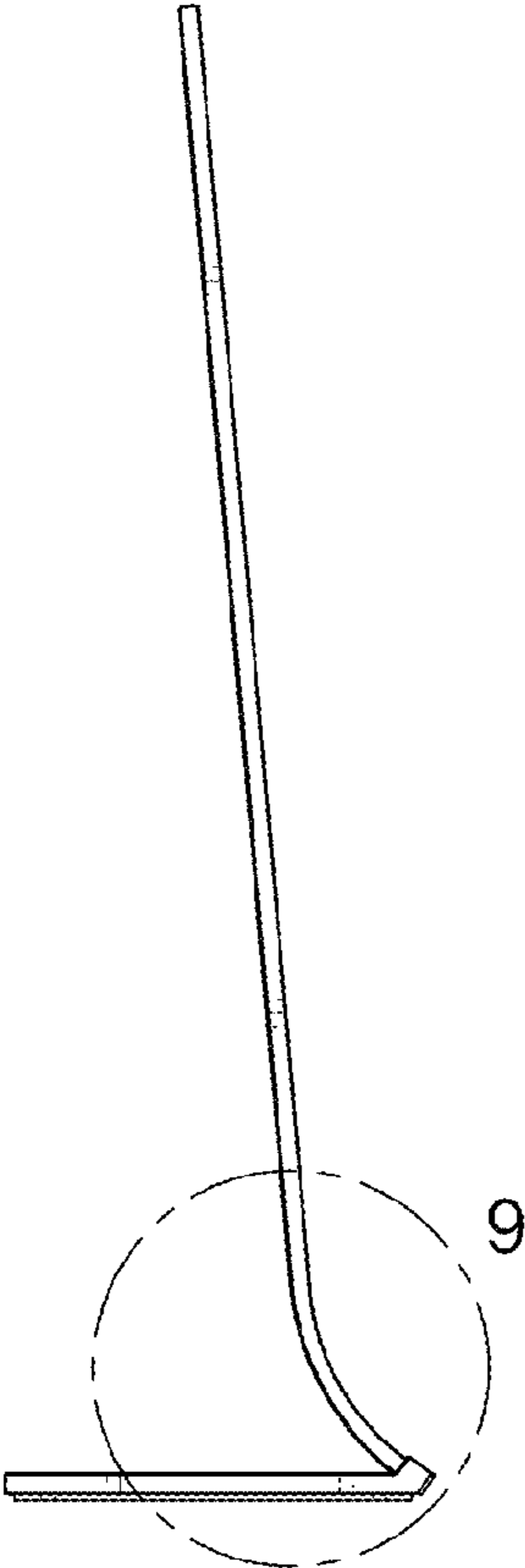


FIG. 6

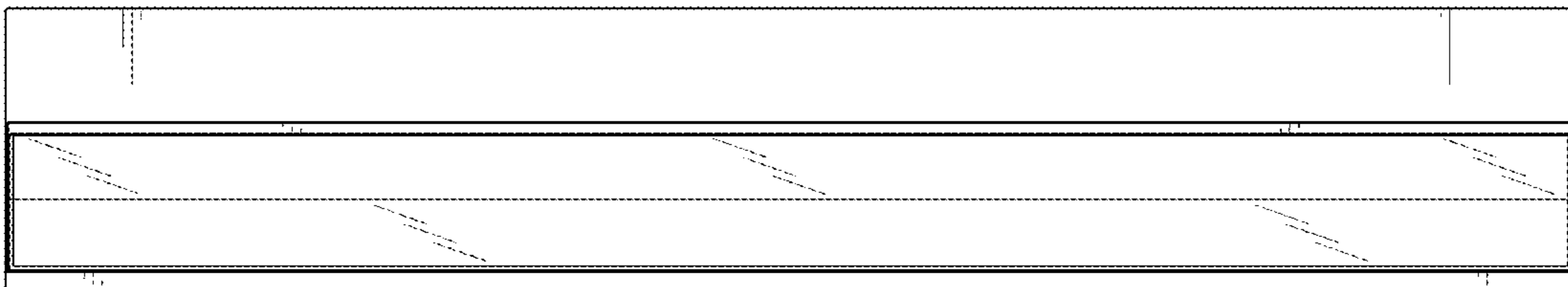


FIG. 7

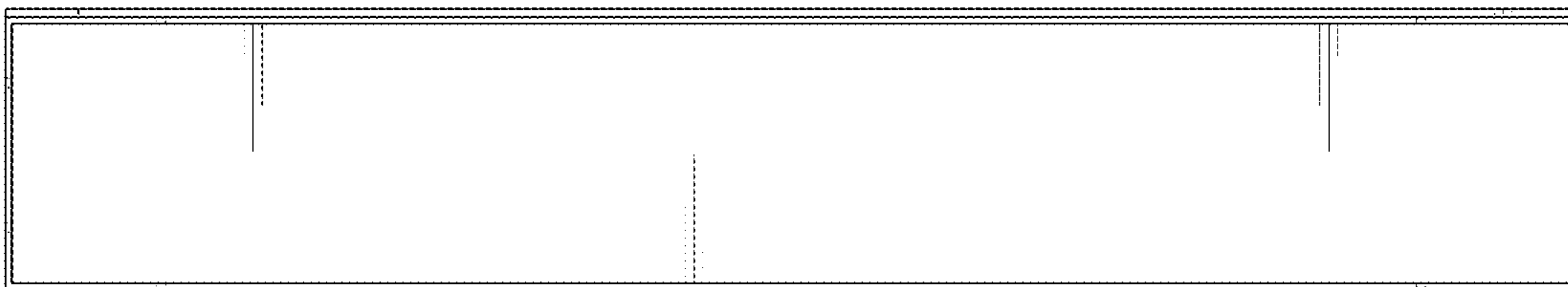


FIG. 8

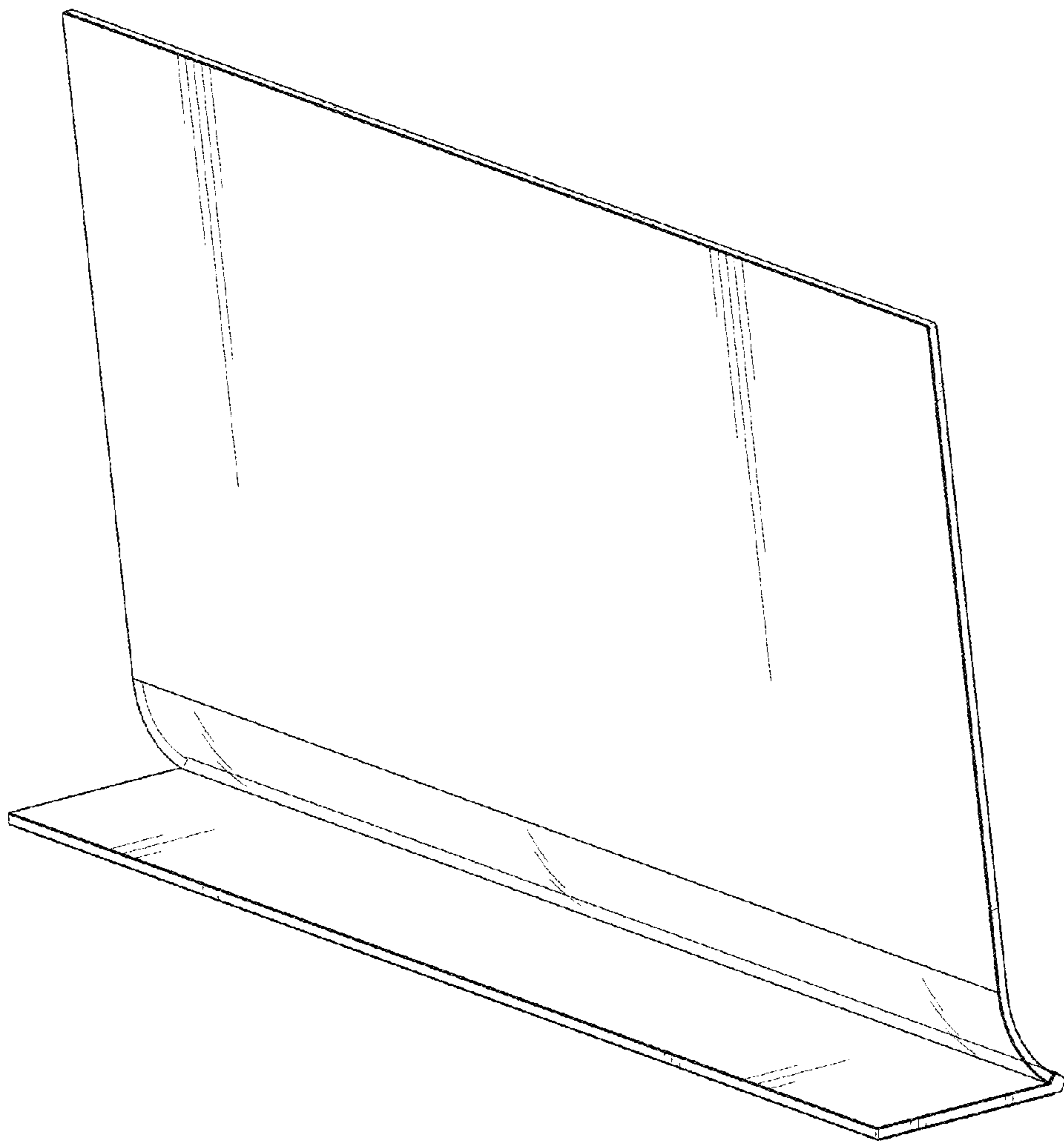


FIG. 9

