



US00D741275S

(12) **United States Design Patent**
Huh et al.

(10) **Patent No.:** **US D741,275 S**
(45) **Date of Patent:** **** Oct. 20, 2015**

(54) **TV RECEIVER**

(56) **References Cited**

(71) Applicant: **LG ELECTRONICS INC.**, Seoul (KR)

U.S. PATENT DOCUMENTS

(72) Inventors: **Byungmu Huh**, Seoul (KR); **Mikyung Kim**, Seoul (KR)

D412,891 S *	8/1999	Sumii	D14/374
D595,715 S *	7/2009	Hasegawa et al.	D14/374
D634,722 S *	3/2011	Kim et al.	D14/126
D634,723 S *	3/2011	Park et al.	D14/126
D691,571 S *	10/2013	Park et al.	D14/126
D691,572 S *	10/2013	Lee et al.	D14/126
D695,245 S *	12/2013	Hara et al.	D14/126
D698,795 S *	2/2014	Chang	D14/451
D701,855 S *	4/2014	Kumano et al.	D14/239
D708,157 S *	7/2014	Park	D14/126
D709,068 S *	7/2014	Kurihara	D14/371

(73) Assignee: **LG Electronics Inc.**, Seoul (KR)

(**) Term: **14 Years**

* cited by examiner

(21) Appl. No.: **29/470,823**

(22) Filed: **Oct. 25, 2013**

Primary Examiner — Susan Bennett Hattan

Assistant Examiner — Brett Miller

(30) **Foreign Application Priority Data**

(74) *Attorney, Agent, or Firm* — Morgan, Lewis & Bockius LLP

Apr. 30, 2013 (KR) 30-2013-0022911

(51) **LOC (10) Cl.** **14-03**

(57) **CLAIM**

The ornamental design for a TV receiver, as shown and described.

(52) **U.S. Cl.**

DESCRIPTION

USPC **D14/126**

(58) **Field of Classification Search**

USPC D14/371–382, 125–134, 239, 448–452,
D14/136, 341, 479, 389, 397, 308, 412, 157,
D14/155, 511; 361/679.02; 348/836, 838,
348/180, 184, 325, 739; 248/917–924, 465;
345/104; D6/300, 301, 302, 308,
D6/310–314

FIG. 1 is a front, right side, perspective view of a TV receiver showing our new design;
FIG. 2 is a front view thereof;
FIG. 3 is a rear view thereof;
FIG. 4 is a left side view thereof;
FIG. 5 is a right side view thereof;
FIG. 6 is a top view thereof;
FIG. 7 is a bottom view thereof; and,
FIG. 8 is a rear perspective view thereof.

The broken lines shown in the drawings illustrate portions of the TV receiver that form no part of the claimed design.

CPC G01F 1/1601

See application file for complete search history.

1 Claim, 7 Drawing Sheets

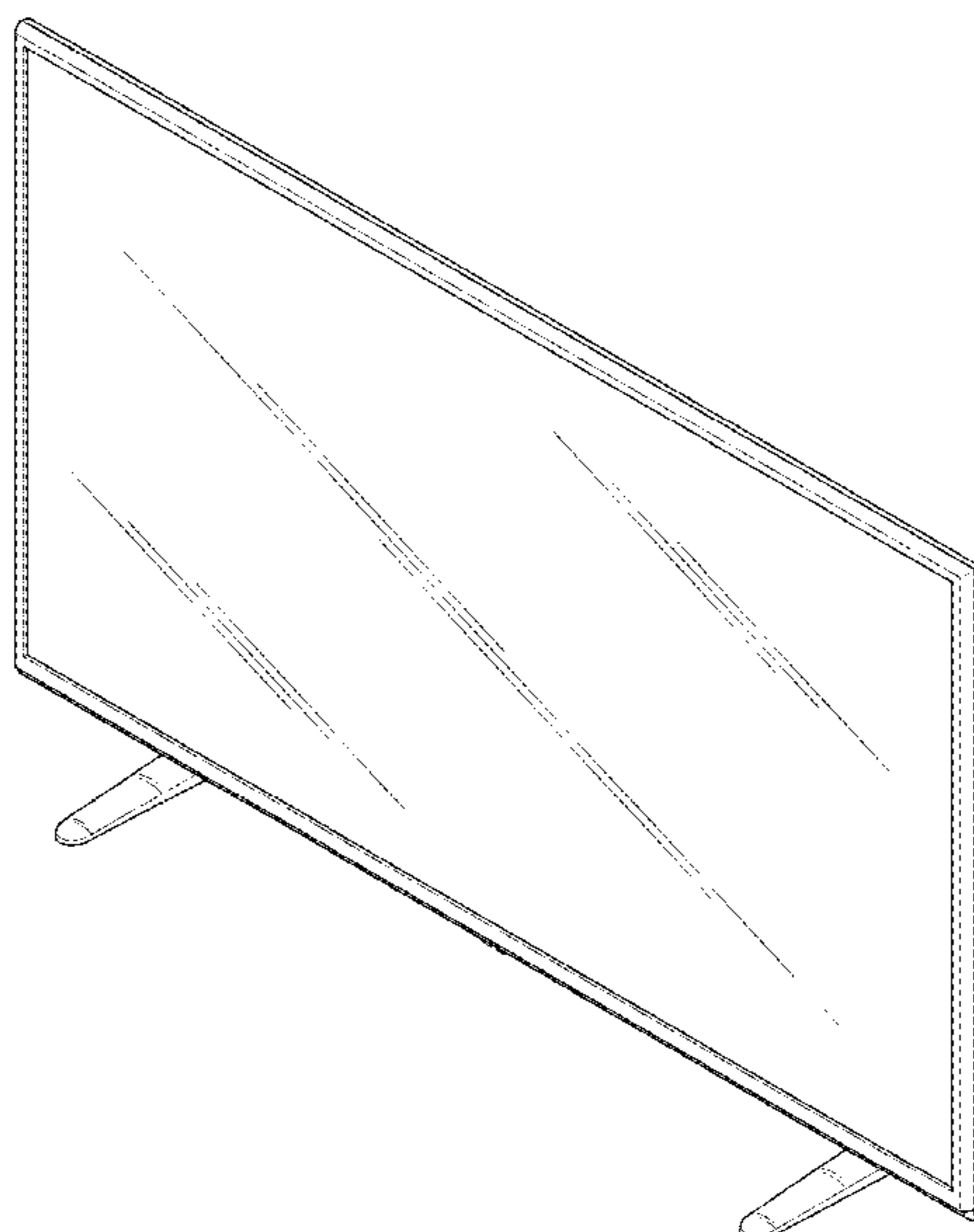


FIG. 1

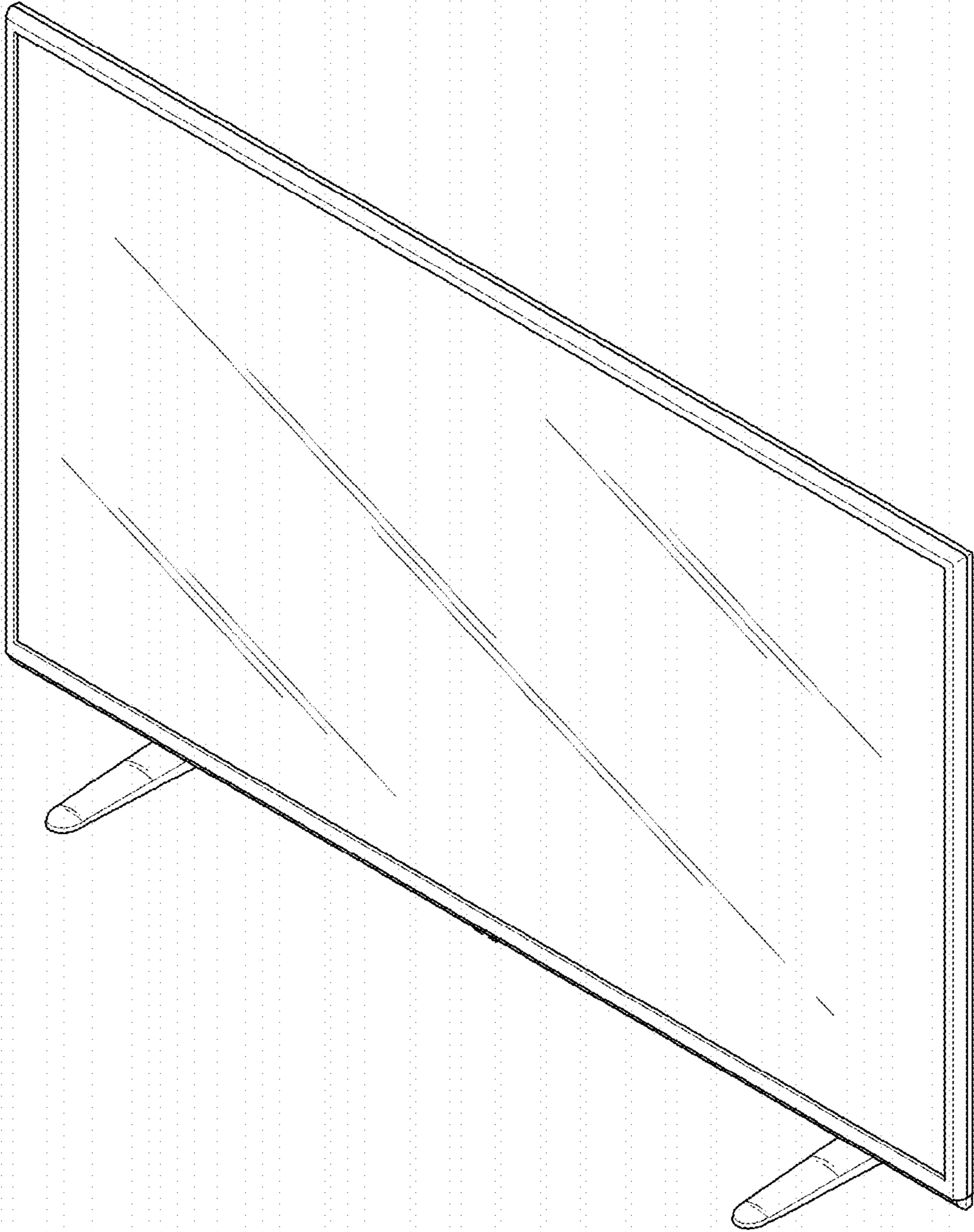


FIG. 2

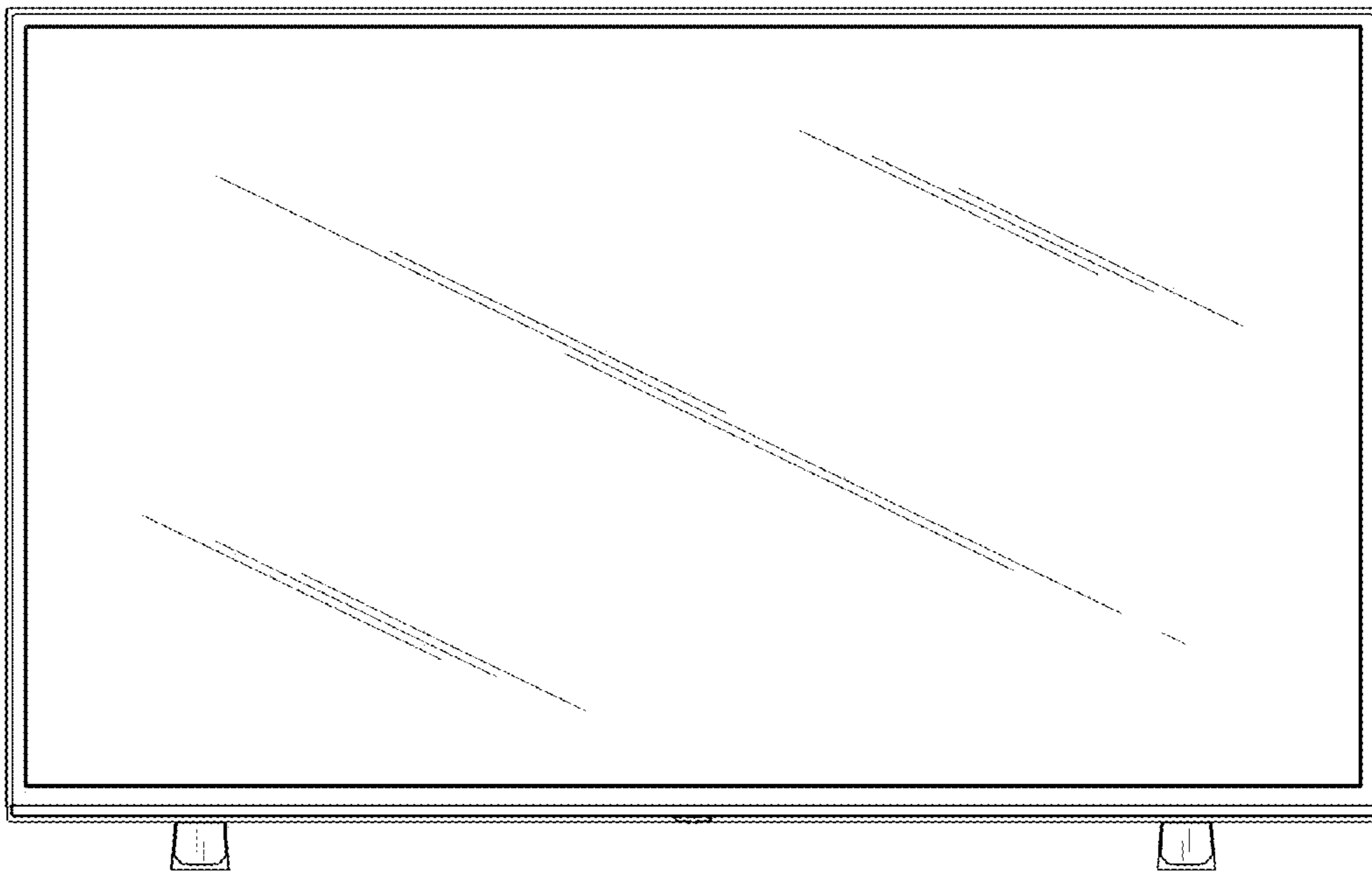


FIG. 3

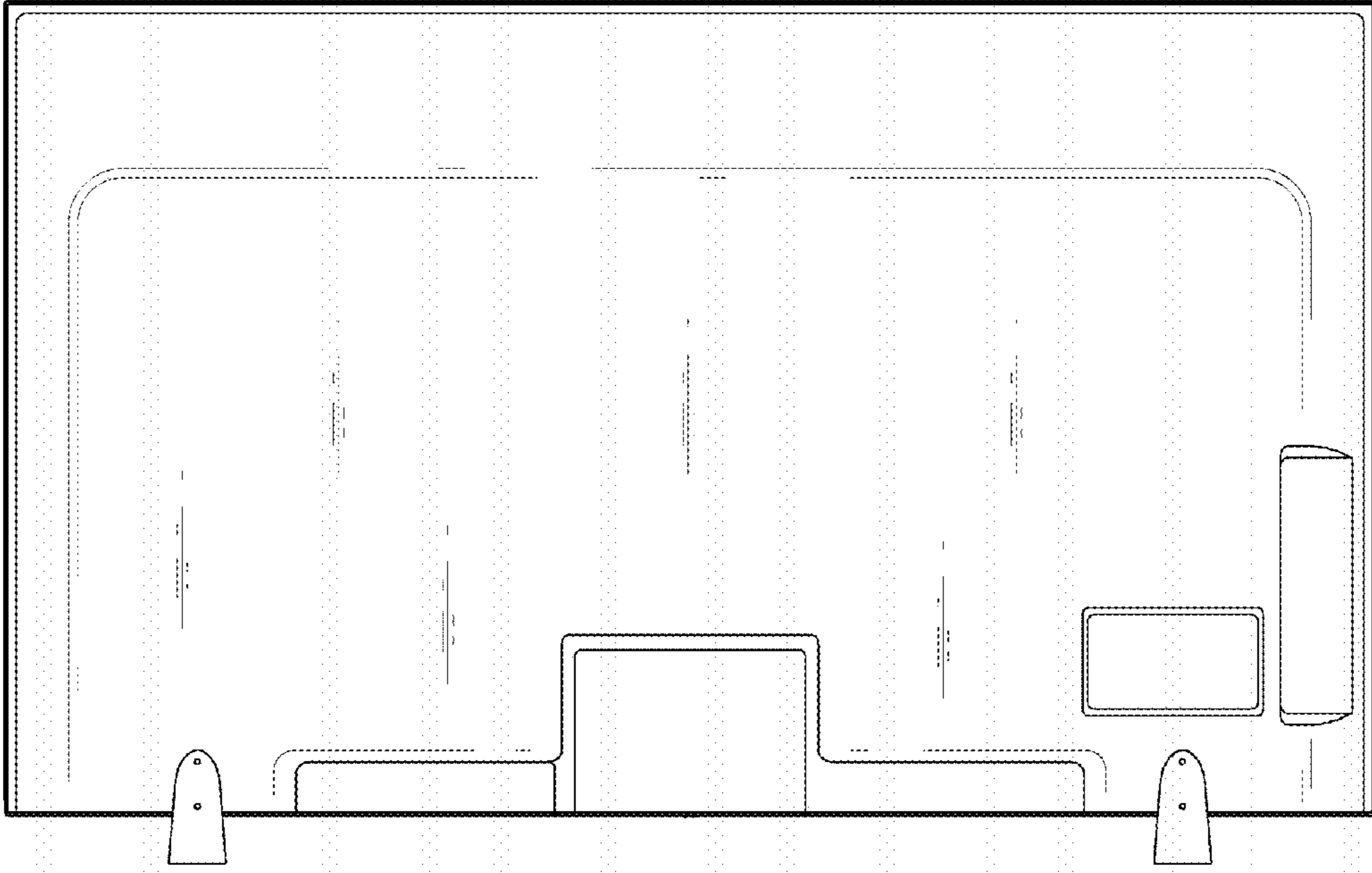


FIG. 4

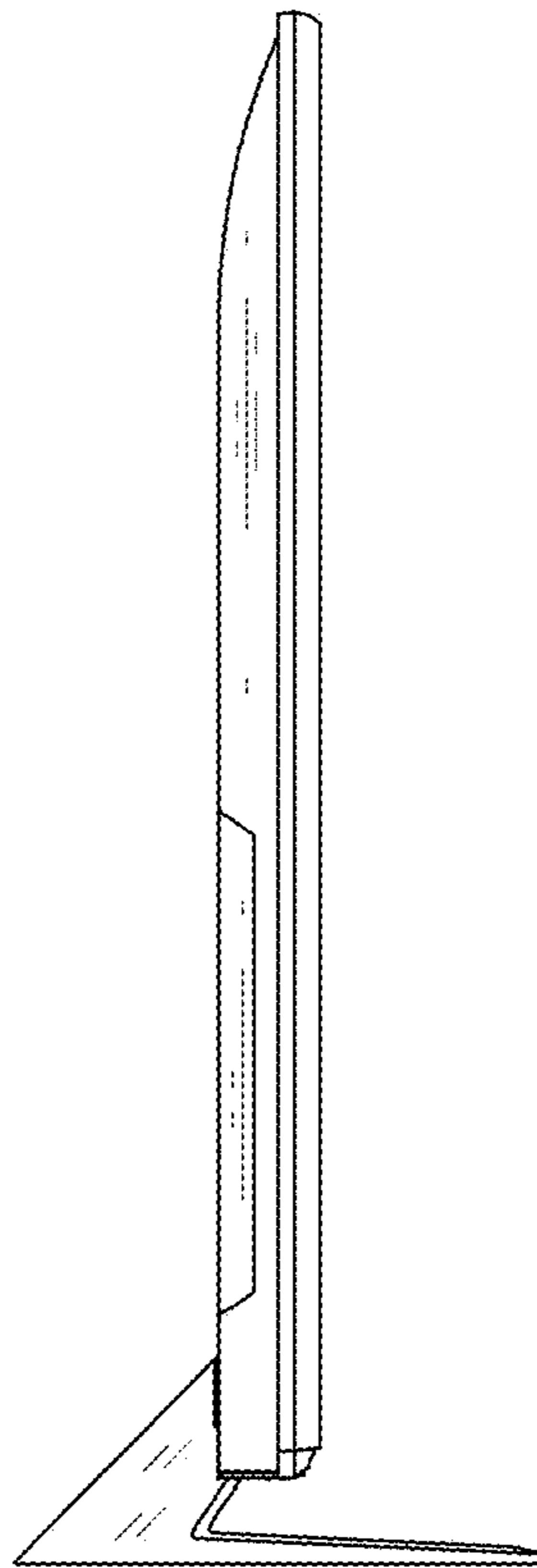


FIG. 5

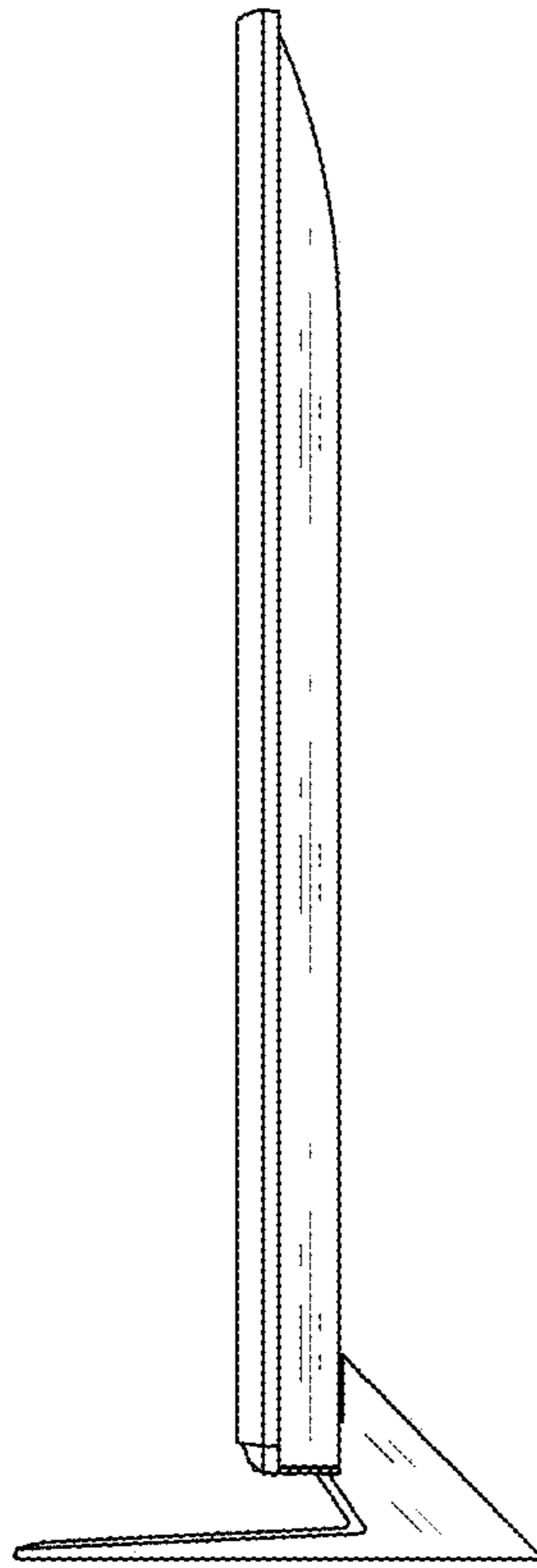


FIG. 6

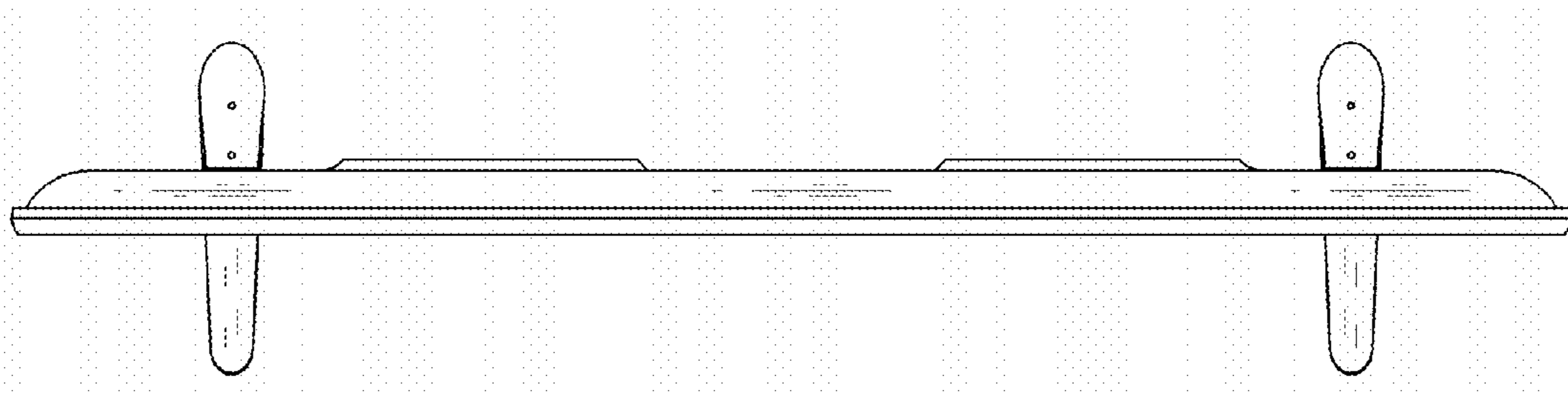


FIG. 7

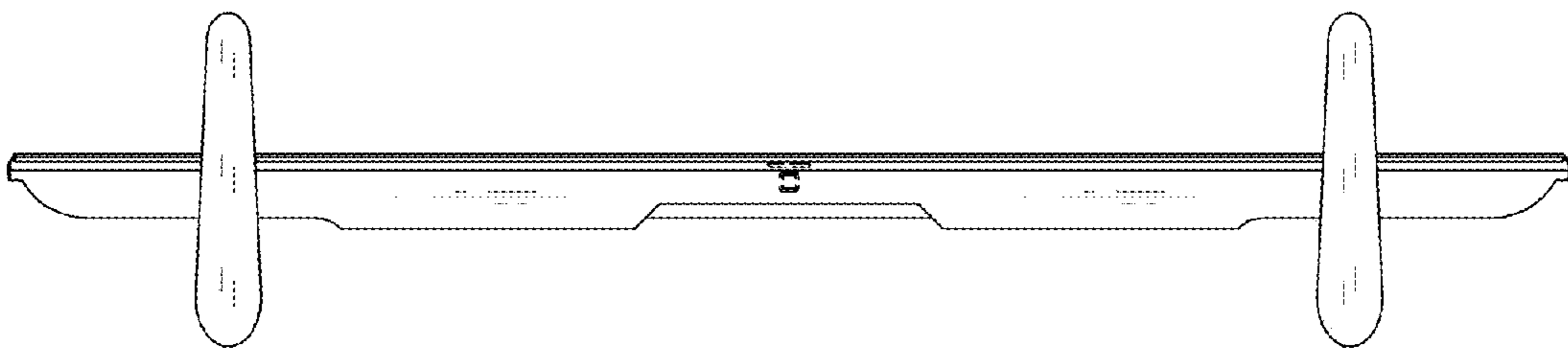


FIG. 8

