



US00D741274S

(12) **United States Design Patent**  
**Joe et al.**

(10) **Patent No.:** **US D741,274 S**  
(45) **Date of Patent:** **\*\* Oct. 20, 2015**

(54) **TV RECEIVER**

(56) **References Cited**

(71) Applicant: **LG ELECTRONICS INC.**, Seoul (KR)

U.S. PATENT DOCUMENTS

(72) Inventors: **Sunggu Joe**, Seoul (KR); **Sunha Park**, Seoul (KR)

D432,102	S	*	10/2000	Arie	.....	D14/126
D637,571	S	*	5/2011	Chiu et al.	.....	D14/126
D642,146	S	*	7/2011	Park et al.	.....	D14/126
D658,140	S	*	4/2012	Hwangbo et al.	.....	D14/126
D670,667	S	*	11/2012	Wang et al.	.....	D14/126
D671,084	S	*	11/2012	Kim et al.	.....	D14/126
D674,368	S	*	1/2013	Yoo et al.	.....	D14/126
D674,762	S	*	1/2013	Lee et al.	.....	D14/126
D675,174	S	*	1/2013	Lee et al.	.....	D14/126
D691,978	S	*	10/2013	Han et al.	.....	D14/126
D693,783	S	*	11/2013	Hasegawa	.....	D14/126
D704,708	S	*	5/2014	Huh et al.	.....	D14/374
D715,241	S	*	10/2014	Jang et al.	.....	D14/126

(73) Assignee: **LG Electronics Inc.**, Seoul (KR)

(\*\*) Term: **14 Years**

(21) Appl. No.: **29/470,821**

(22) Filed: **Oct. 25, 2013**

\* cited by examiner

(30) **Foreign Application Priority Data**

Apr. 30, 2013 (KR) ..... 30-2013-0022912

*Primary Examiner* — Susan Bennett Hattan

*Assistant Examiner* — Brett Miller

(51) **LOC (10) Cl.** ..... **14-03**

(74) *Attorney, Agent, or Firm* — Morgan, Lewis & Bockius LLP

(52) **U.S. Cl.**

USPC ..... **D14/126**

(57) **CLAIM**

The ornamental design for a TV receiver, as shown and described.

(58) **Field of Classification Search**

USPC ..... D14/371–382, 125–134, 239, 448–452,  
D14/136, 341, 479, 389, 397, 308, 412, 157,  
D14/155, 511; 361/679.02; 348/836, 838,  
348/180, 184, 325, 739; 248/917–924, 465;  
345/104; D6/300, 301, 302, 308,  
D6/310–314

**DESCRIPTION**

FIG. 1 is a front, right side, perspective view of a TV receiver showing our new design;  
FIG. 2 is a front view thereof;  
FIG. 3 is a rear view thereof;  
FIG. 4 is a left side view thereof;  
FIG. 5 is a right side view thereof;  
FIG. 6 is a top view thereof;  
FIG. 7 is a bottom view thereof; and,  
FIG. 8 is a rear perspective view thereof.

CPC ..... G01F 1/1601

See application file for complete search history.

**1 Claim, 7 Drawing Sheets**

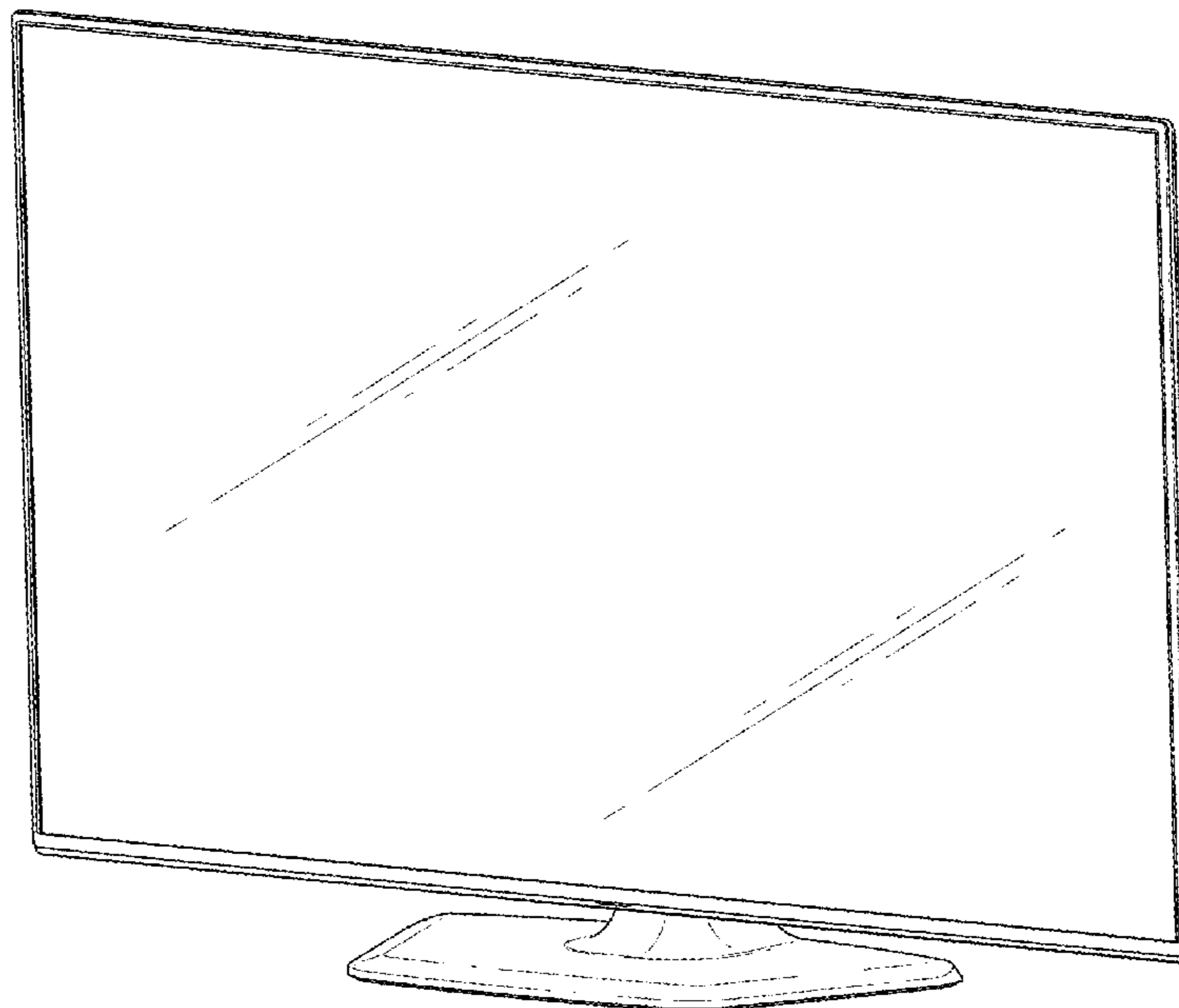


FIG. 1

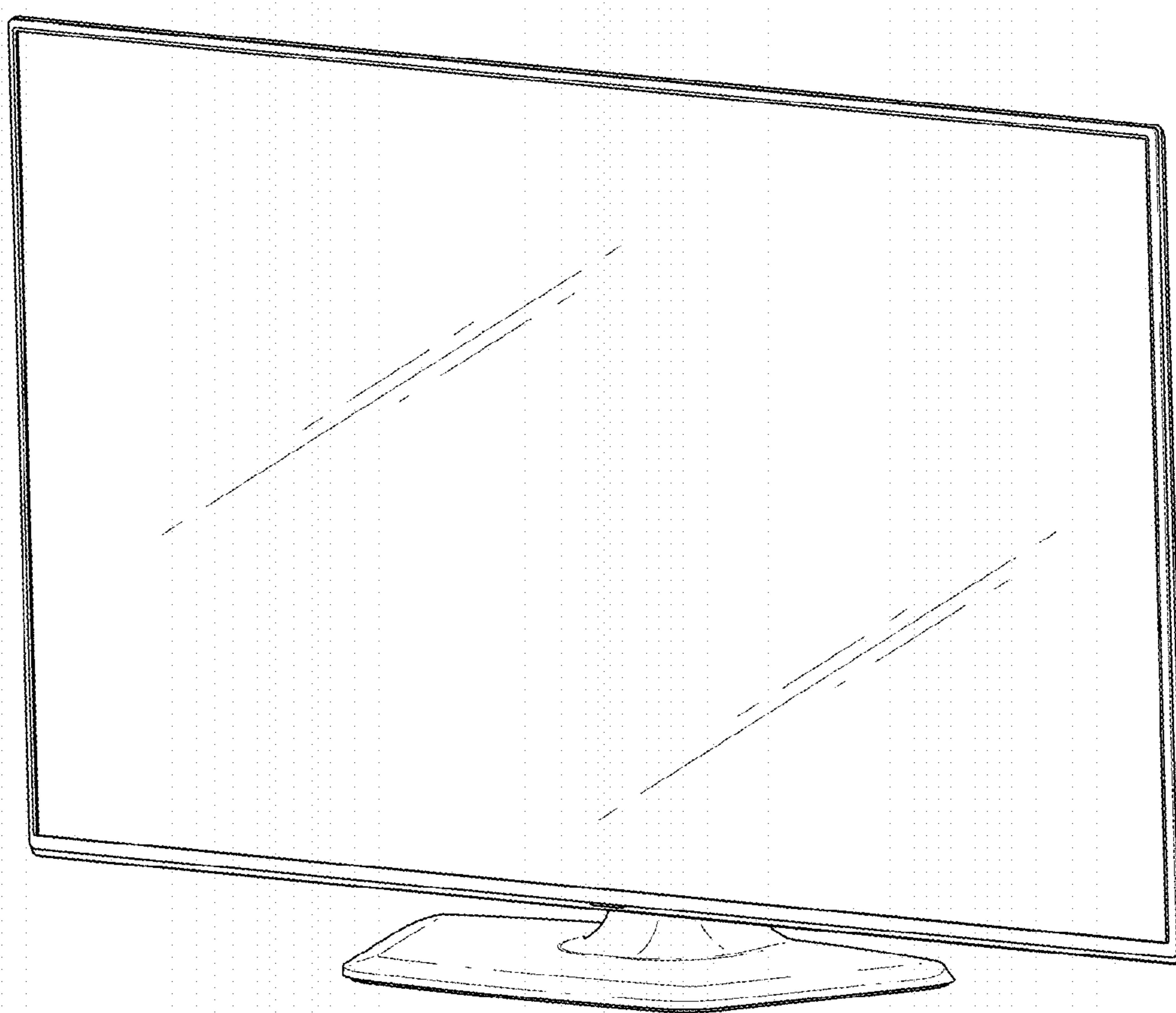


FIG. 2

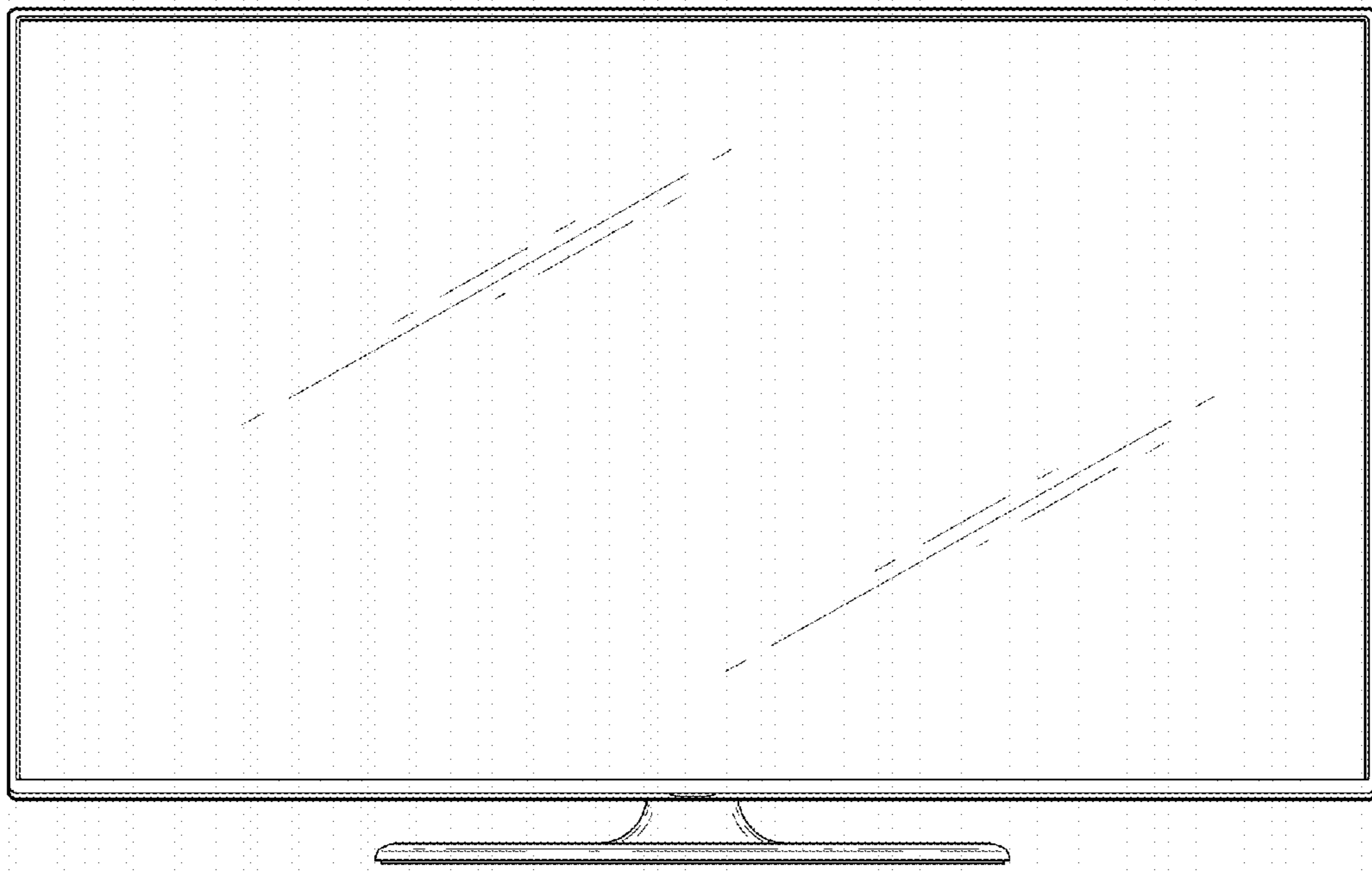


FIG. 3

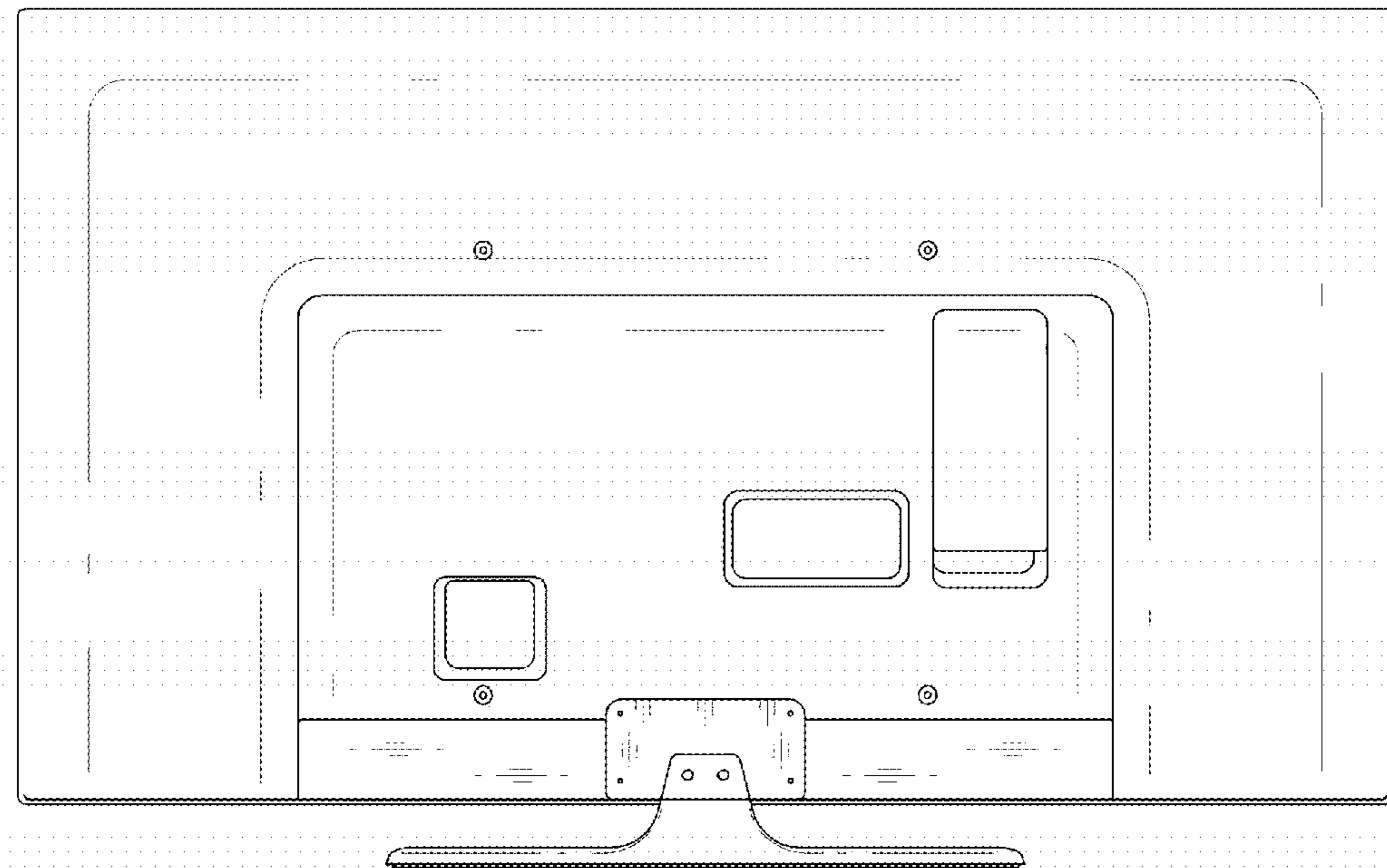


FIG. 4

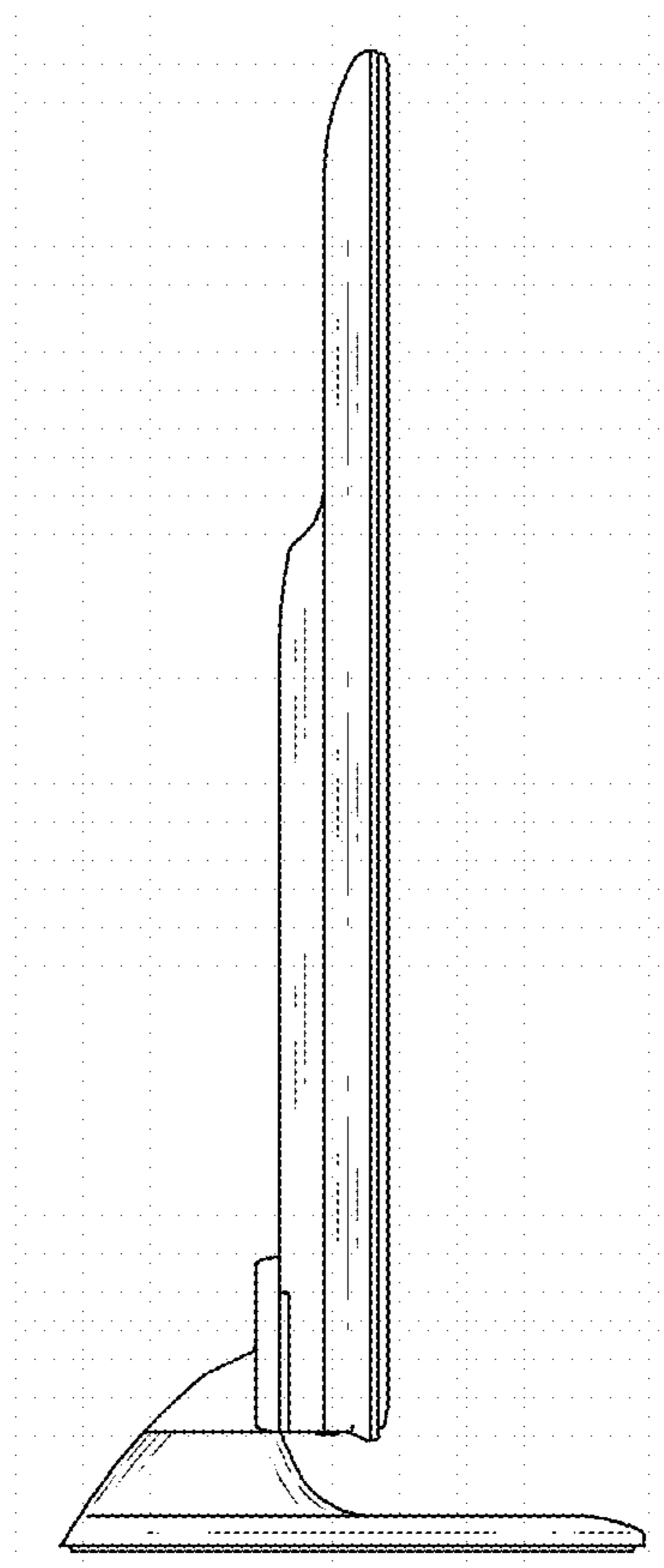


FIG. 5

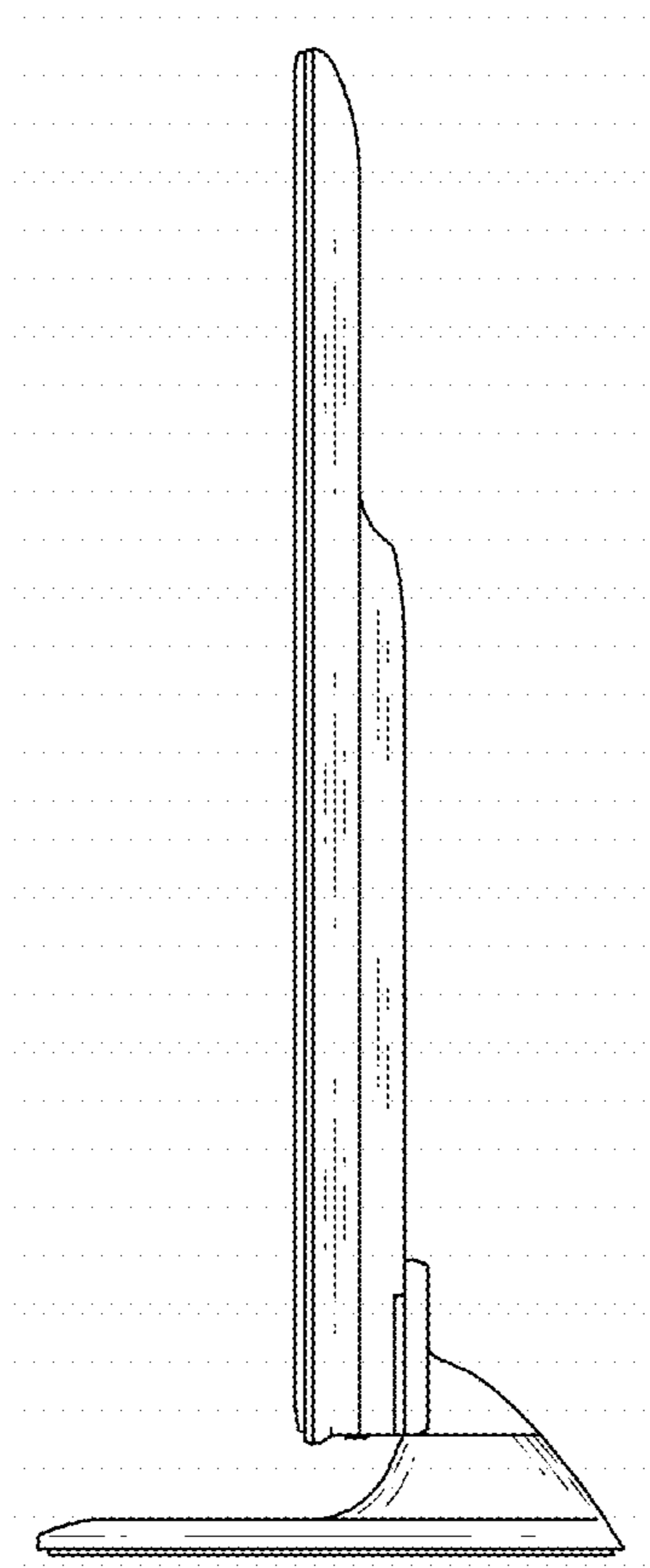


FIG. 6

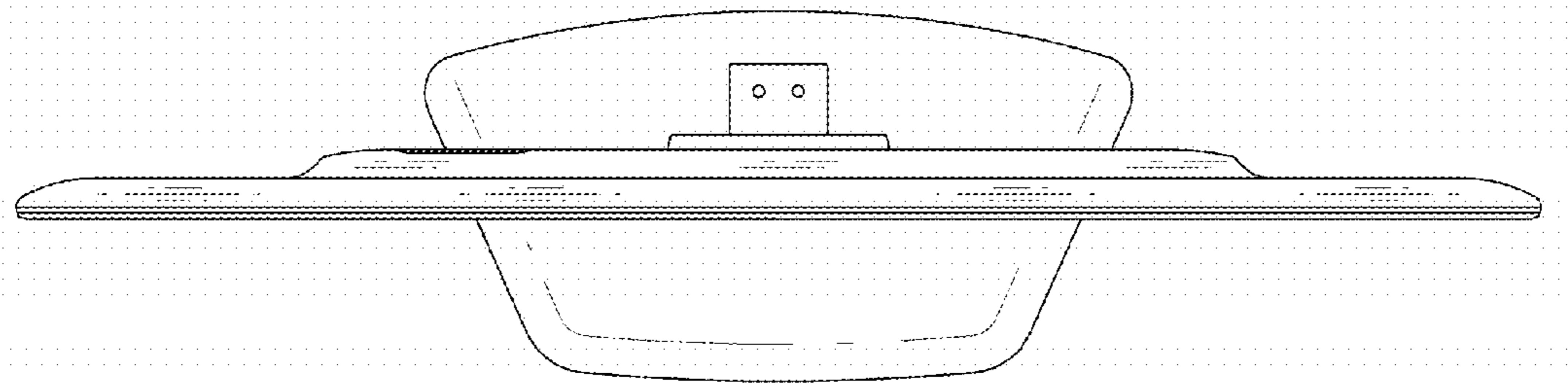


FIG. 7

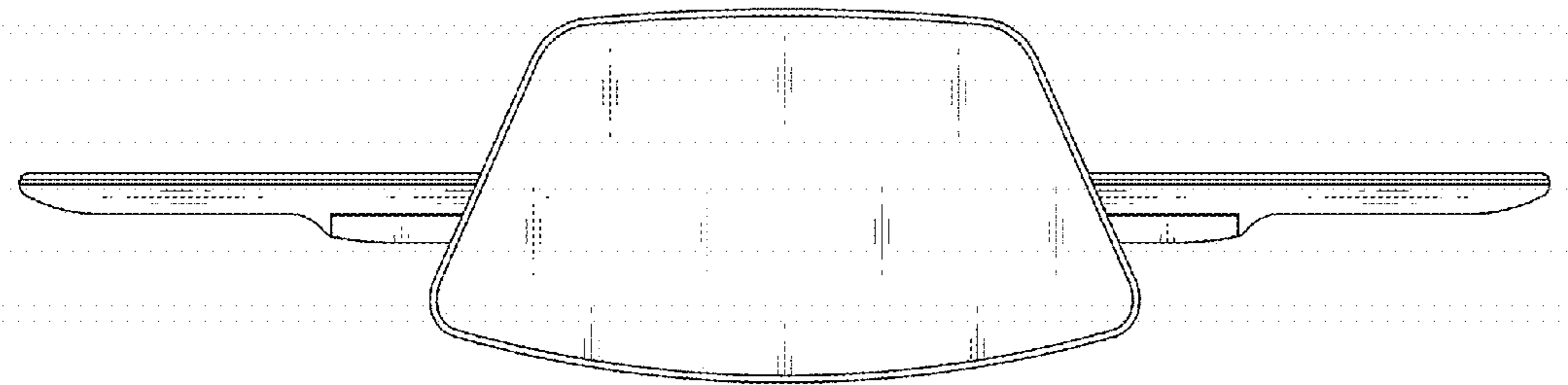


FIG. 8

