



US00D741271S

(12) **United States Design Patent**
Noack

(10) **Patent No.:** **US D741,271 S**
(45) **Date of Patent:** **** Oct. 20, 2015**

(54) **PUSH BUTTON**

(71) Applicant: **EAO Holding AG**, Olten (CH)

(72) Inventor: **Juergen Noack**, Obernau (CH)

(73) Assignee: **EAO Holding AG**, Olten (CH)

(**) Term: **14 Years**

(21) Appl. No.: **29/491,092**

(22) Filed: **May 16, 2014**

(30) **Foreign Application Priority Data**

Mar. 7, 2014 (CH) 140480

(51) **LOC (10) Cl.** **13-03**

(52) **U.S. Cl.**
USPC **D13/174**

(58) **Field of Classification Search**
USPC D13/171, 173, 174; D10/108, 118
CPC H01H 3/022; H01H 3/12; H01H 3/122;
H01H 9/02; H01H 9/16; H01H 9/161; H01H
9/18; H01H 9/181; H01H 9/182; H01H
13/023; H01H 13/04; H01H 13/14; H01H
13/20; H01H 13/3086; H01H 25/065; H01H
2221/00; B66B 1/462; B66B 1/463; B66B
3/00; B66B 3/002

See application file for complete search history.

(56) **References Cited**

U.S. PATENT DOCUMENTS

3,297,853 A * 1/1967 Schmiedel et al. 200/300
D215,375 S * 9/1969 Daggert D10/118
D300,528 S * 4/1989 Drane D13/171
D317,137 S * 5/1991 Kulikowski et al. D10/108

D404,673 S * 1/1999 Gordon et al. D10/118
D469,411 S * 1/2003 Decosse D13/174
D501,652 S * 2/2005 Pierson et al. D13/171
6,930,267 B2 * 8/2005 Chou 200/520
7,309,840 B1 * 12/2007 Lo 200/293
D558,692 S * 1/2008 Neveu D13/174
D570,300 S * 6/2008 Weinberg D13/174
7,790,996 B2 * 9/2010 Swamy et al. 200/318.2
D663,641 S * 7/2012 Saikawa et al. D10/108
8,492,668 B2 * 7/2013 Broly 200/318.2
2005/0061651 A1 * 3/2005 Chou 200/520
2006/0066427 A1 * 3/2006 Miller 335/132
2006/0072300 A1 * 4/2006 Hayashi 362/29
2011/0155549 A1 * 6/2011 De Jager et al. 200/341
2012/0168288 A1 * 7/2012 Furrer 200/61.58 R
2014/0042003 A1 * 2/2014 Meftah et al. 200/334
2014/0211358 A1 * 7/2014 Dotson 361/115
2014/0216911 A1 * 8/2014 Benni et al. 200/534

FOREIGN PATENT DOCUMENTS

CH 137317 6/2011

* cited by examiner

Primary Examiner — Selina Sikder
(74) *Attorney, Agent, or Firm* — The Webb Law Firm

(57) **CLAIM**

The ornamental design for a push button, as shown and described.

DESCRIPTION

FIG. 1 is a perspective view of the claimed push button design;
FIG. 2 is a top view of the push button shown in FIG. 1; and,
FIG. 3 is a front view of the push button shown in FIG. 1.
The broken lines shown in FIG. 3 depict portions of the push button that form no part of the claimed design.

1 Claim, 3 Drawing Sheets

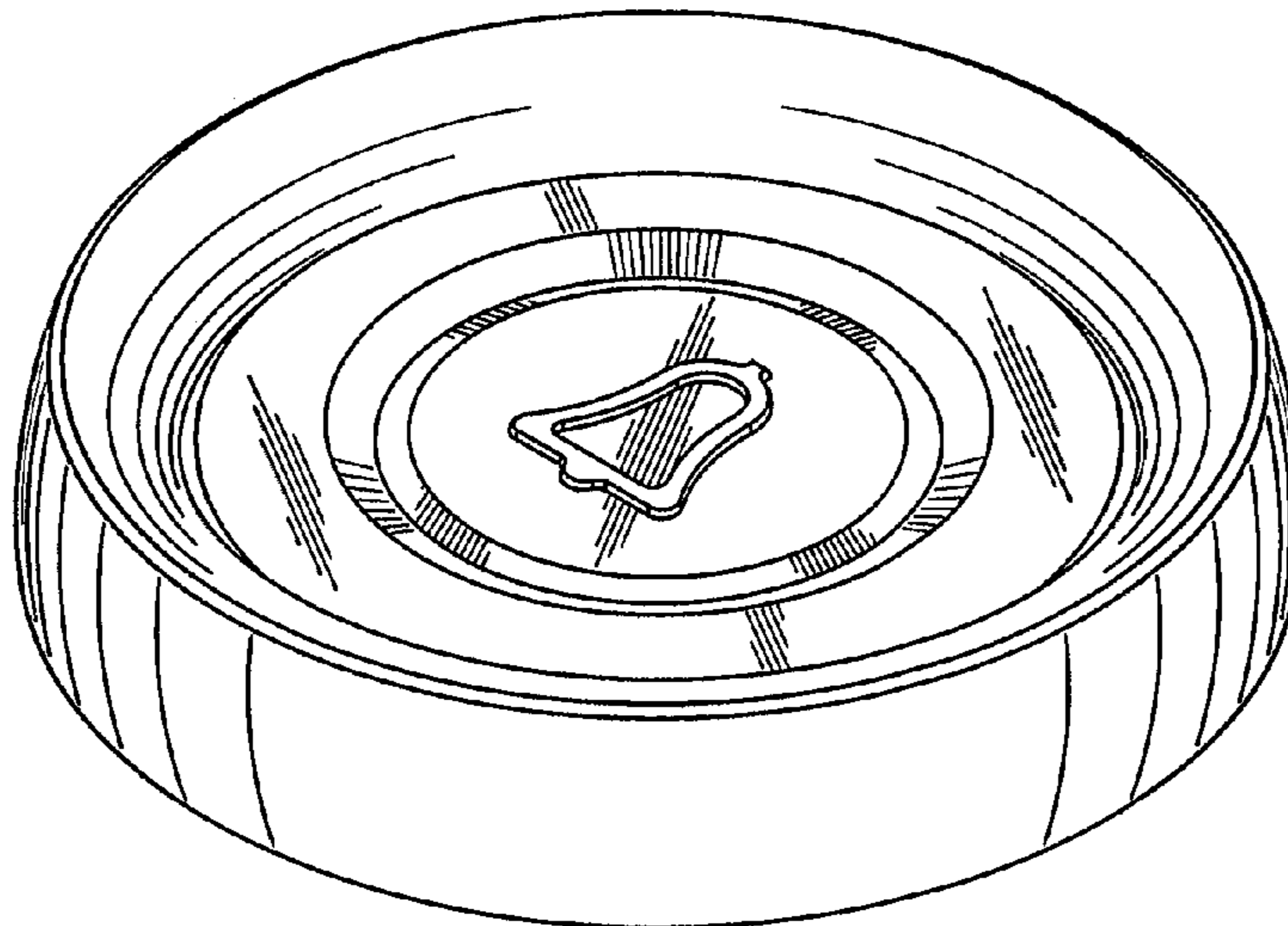


Fig. 1

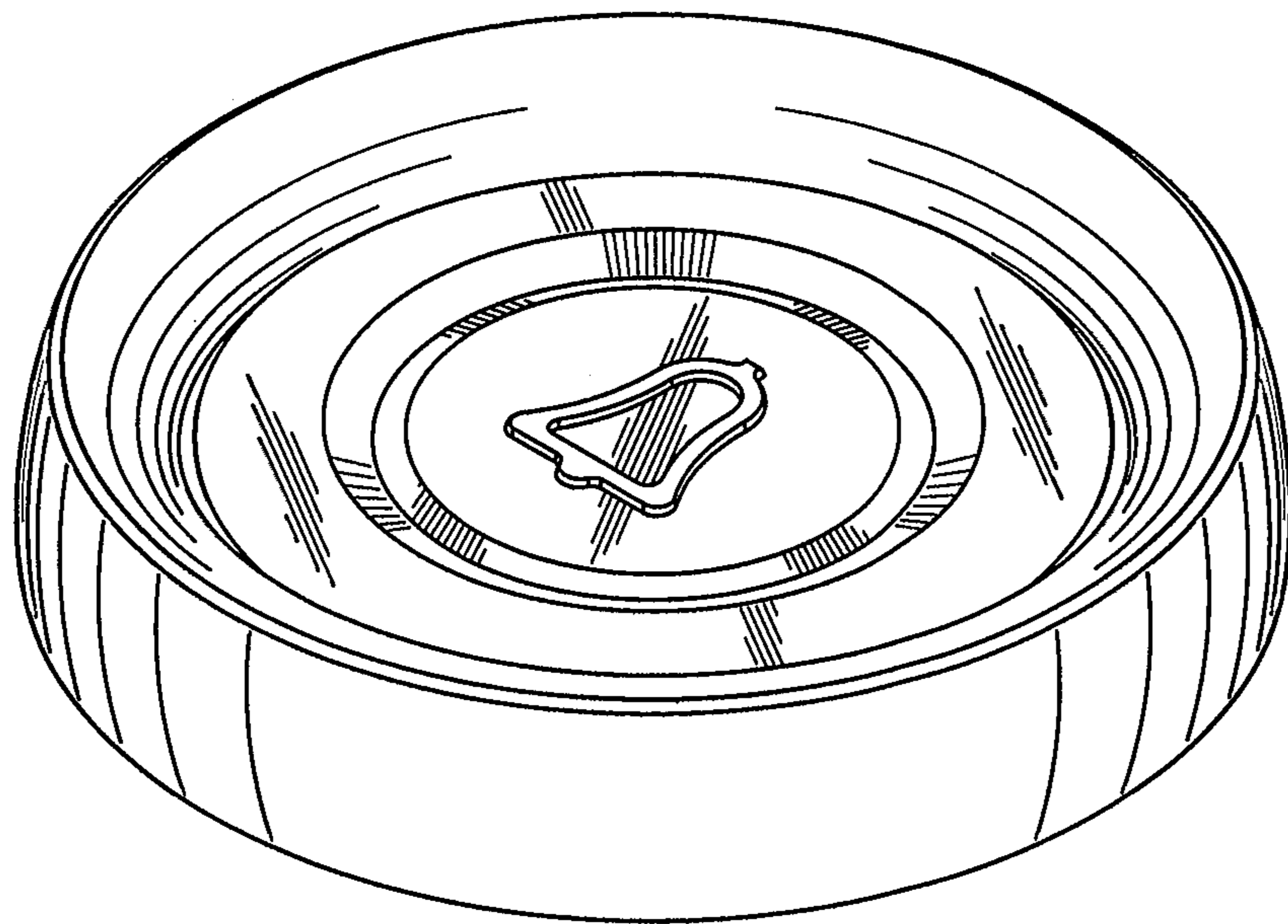


Fig. 2

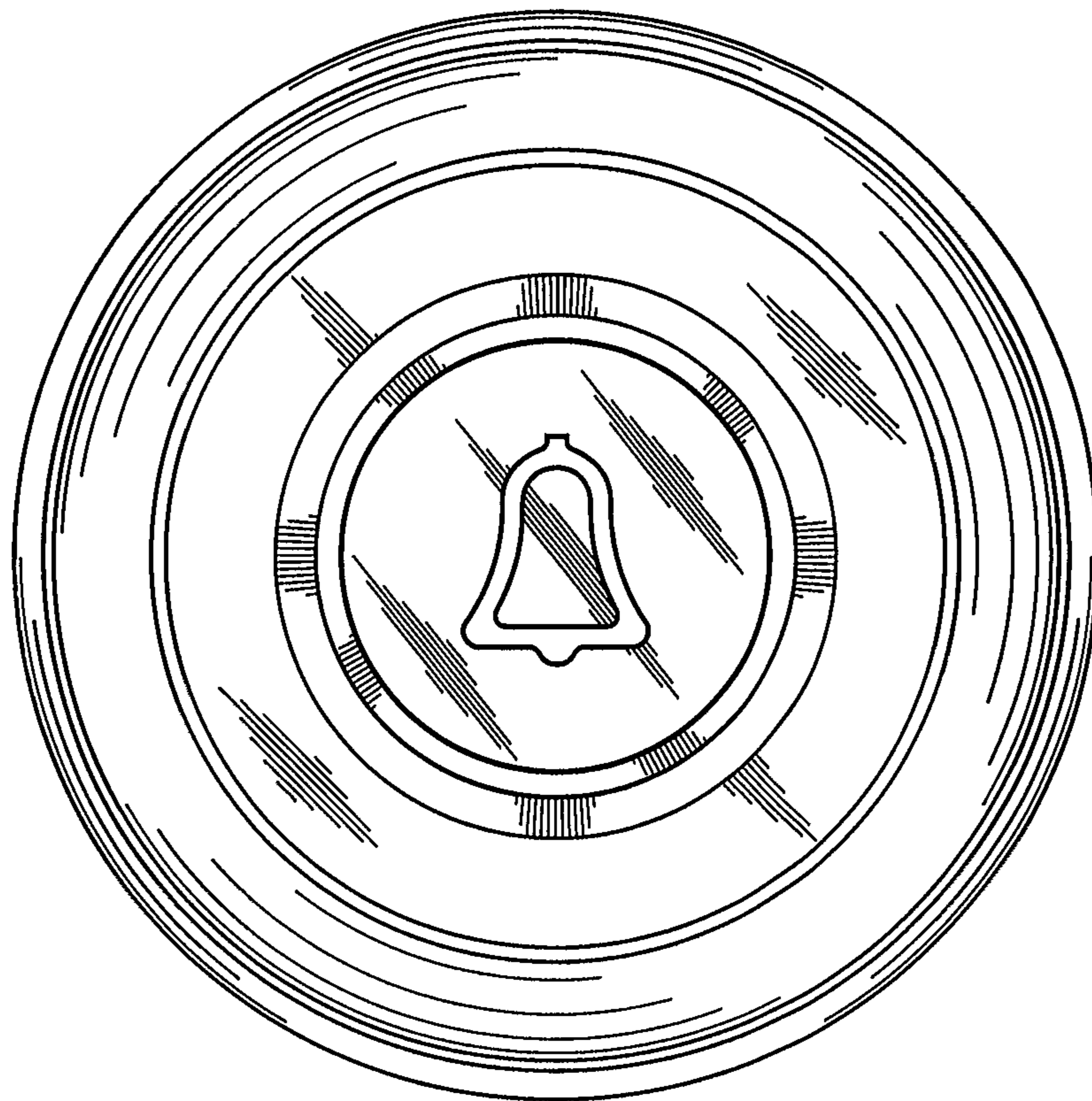


Fig. 3

