



US00D741269S

(12) **United States Design Patent**
Bhattacharya et al.

(10) **Patent No.:** **US D741,269 S**
(45) **Date of Patent:** **** Oct. 20, 2015**

(54) **TOUCH PANEL**

(71) Applicant: **Vivint, Inc.**, Provo, UT (US)

(72) Inventors: **Abhijeet Bhattacharya**, Draper, UT (US); **Stephen Edward Boynton**, Spanish Fork, UT (US); **Jeffrey Louis Jones**, Elk Ridge, UT (US)

(73) Assignee: **VIVINT, INC.**, Provo, UT (US)

(**) Term: **14 Years**

(21) Appl. No.: **29/496,633**

(22) Filed: **Jul. 15, 2014**

(51) **LOC (10) Cl.** **13-03**

(52) **U.S. Cl.**
USPC **D13/162; D10/50**

(58) **Field of Classification Search**
USPC D13/162, 168; D6/300, 308; D10/49, D10/50, 104.1, 106.1, 106.95; D14/126, D14/129, 336, 337, 341, 371, 375
CPC ... F24F 11/00; F24F 11/0012; F24F 11/0086; F24F 11/0009; F24F 2011/0057; F24F 2011/0073; F24F 2011/0091; G05B 19/0426; G05B 19/409; G05B 15/02; G06F 1/1601; G06F 3/0482; G06F 3/0489; G05D 23/1902; G05D 23/1905; G05D 23/1931; H05B 37/02
See application file for complete search history.

(56) **References Cited**

U.S. PATENT DOCUMENTS

D382,259 S *	8/1997	Nagai et al.	D14/374
7,047,092 B2 *	5/2006	Wimsatt	700/83
D555,117 S *	11/2007	Tanaka et al.	D14/126
D568,257 S *	5/2008	Tatsuyama et al.	D13/162
D580,896 S *	11/2008	Niitsu	D14/126
D596,173 S *	7/2009	Arfin	D14/307
D625,928 S *	10/2010	Lee et al.	D6/308
D642,081 S *	7/2011	Kashimoto	D10/49
D647,092 S *	10/2011	Naruo	D14/374

D648,641 S *	11/2011	Wallaert et al.	D10/50
D664,513 S *	7/2012	Laube et al.	D14/126
D684,872 S *	6/2013	Bias et al.	D10/49
D690,661 S *	10/2013	Wisniewski et al.	D13/162
D694,195 S *	11/2013	Gammon et al.	D13/162

(Continued)

Primary Examiner — Selina Sikder

(74) *Attorney, Agent, or Firm* — Holland & Hart

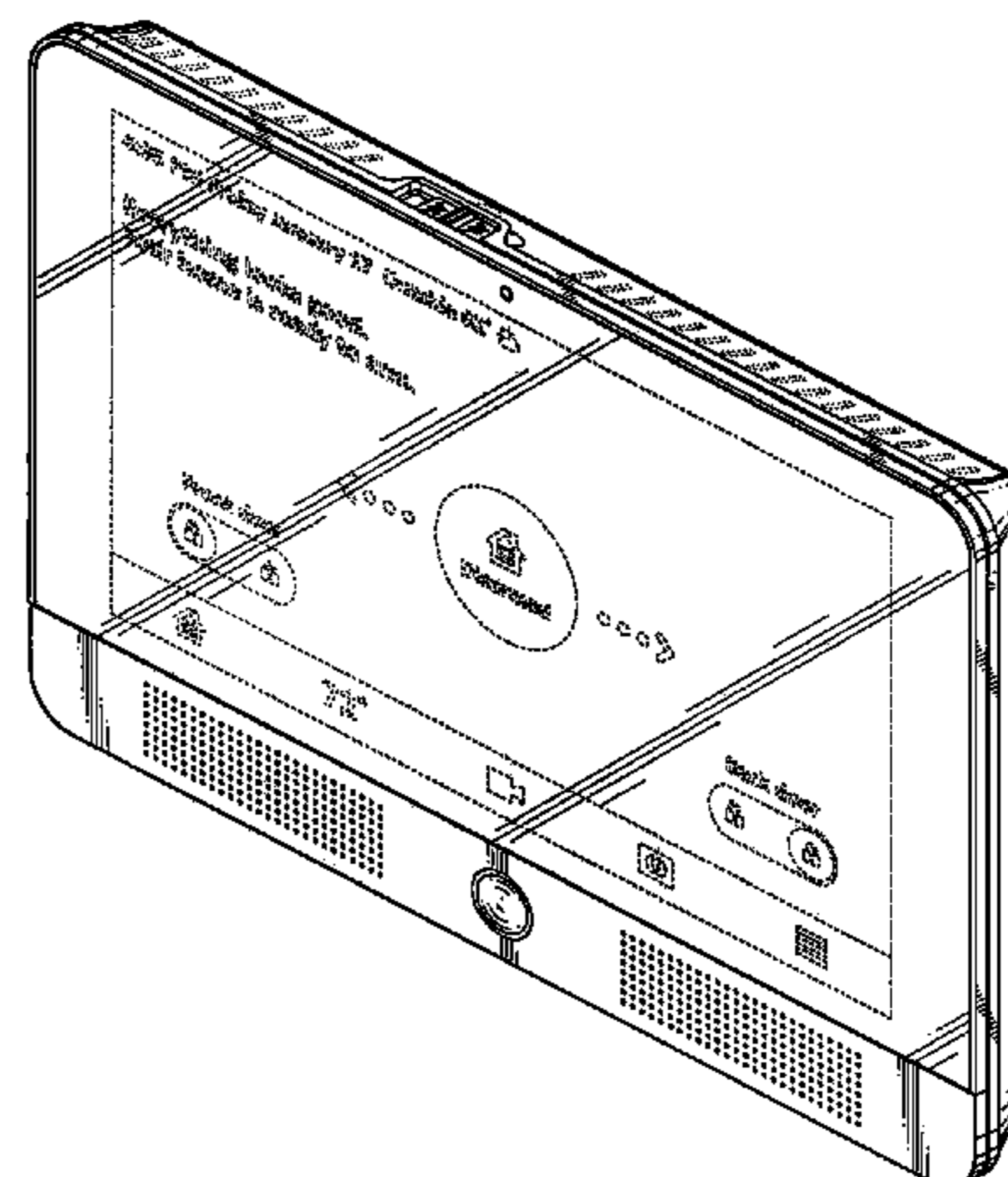
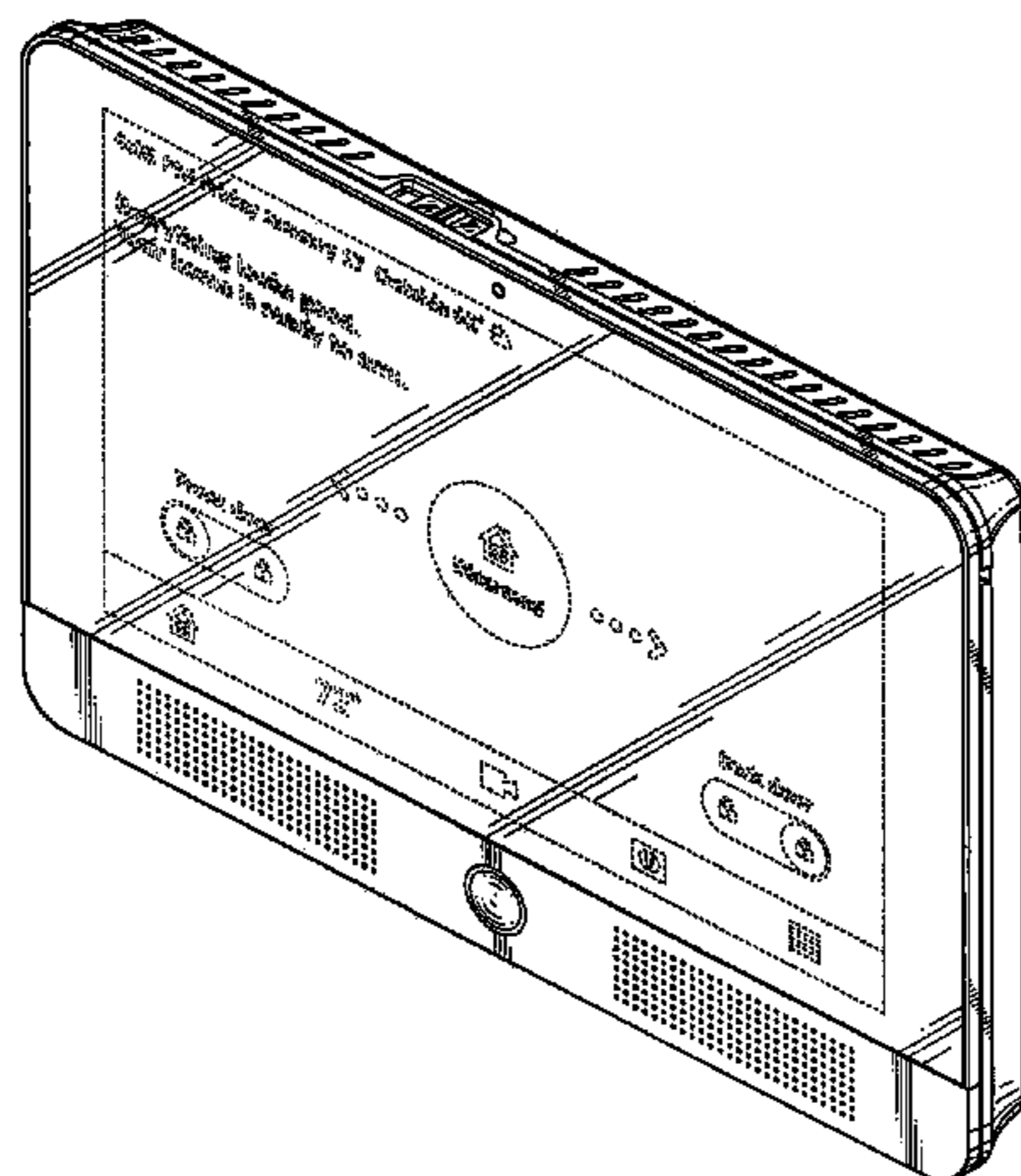
(57) **CLAIM**

The ornamental design for a “touch panel,” as shown and described.

DESCRIPTION

FIG. 1 is a top perspective view of a touch panel according to the present invention;
 FIG. 2 is a rear perspective view thereof;
 FIG. 3 is a front view thereof;
 FIG. 4 is a right side view thereof;
 FIG. 5 is a left side view thereof;
 FIG. 6 is a top view thereof;
 FIG. 7 is a bottom view thereof;
 FIG. 8 is a rear view thereof;
 FIG. 9 is a top perspective view of an alternative embodiment of a touch panel design according to the present invention;
 FIG. 10 is a rear perspective view of the alternative embodiment thereof;
 FIG. 11 is a front perspective view of the alternative embodiment thereof;
 FIG. 12 is a right side perspective view of the alternative embodiment thereof;
 FIG. 13 is a left side perspective view of the alternative embodiment thereof;
 FIG. 14 is a top view of the alternative embodiment thereof;
 FIG. 15 is a bottom view of the alternative embodiment thereof; and,
 FIG. 16 is a rear view of the alternative embodiment thereof.
 The broken line showing of the touch panel is for illustrative purposes only and forms no part of the claimed design.

1 Claim, 8 Drawing Sheets



(56)

References Cited

U.S. PATENT DOCUMENTS

8,802,981	B2 *	8/2014	Wallaert et al.	174/58	2009/0143880	A1 *	6/2009	Amundson et al.	700/83
8,933,892	B2 *	1/2015	Woolley et al.	345/173	2010/0106305	A1 *	4/2010	Pavlak et al.	700/276
D727,271	S *	4/2015	Shi et al.	D13/162	2012/0310386	A1 *	12/2012	To	700/83
D727,857	S *	4/2015	Acera et al.	D13/162	2013/0041486	A1 *	2/2013	Lee et al.	700/83
D729,793	S *	5/2015	Hickok et al.	D14/336	2013/0198670	A1 *	8/2013	Pelletier et al.	715/771
D729,797	S *	5/2015	Hickok et al.	D14/371	2013/0204406	A1 *	8/2013	Andersson et al.	700/83
2006/0161270	A1 *	7/2006	Luskin et al.	700/22	2014/0035811	A1 *	2/2014	Guehring et al.	345/156
2008/0256475	A1 *	10/2008	Amundson et al.	715/772	2014/0070707	A1 *	3/2014	Nagazoe	315/151
					2014/0118903	A1 *	5/2014	Hwang et al.	361/679.01
					2014/0184978	A1 *	7/2014	Yu et al.	349/58

* cited by examiner

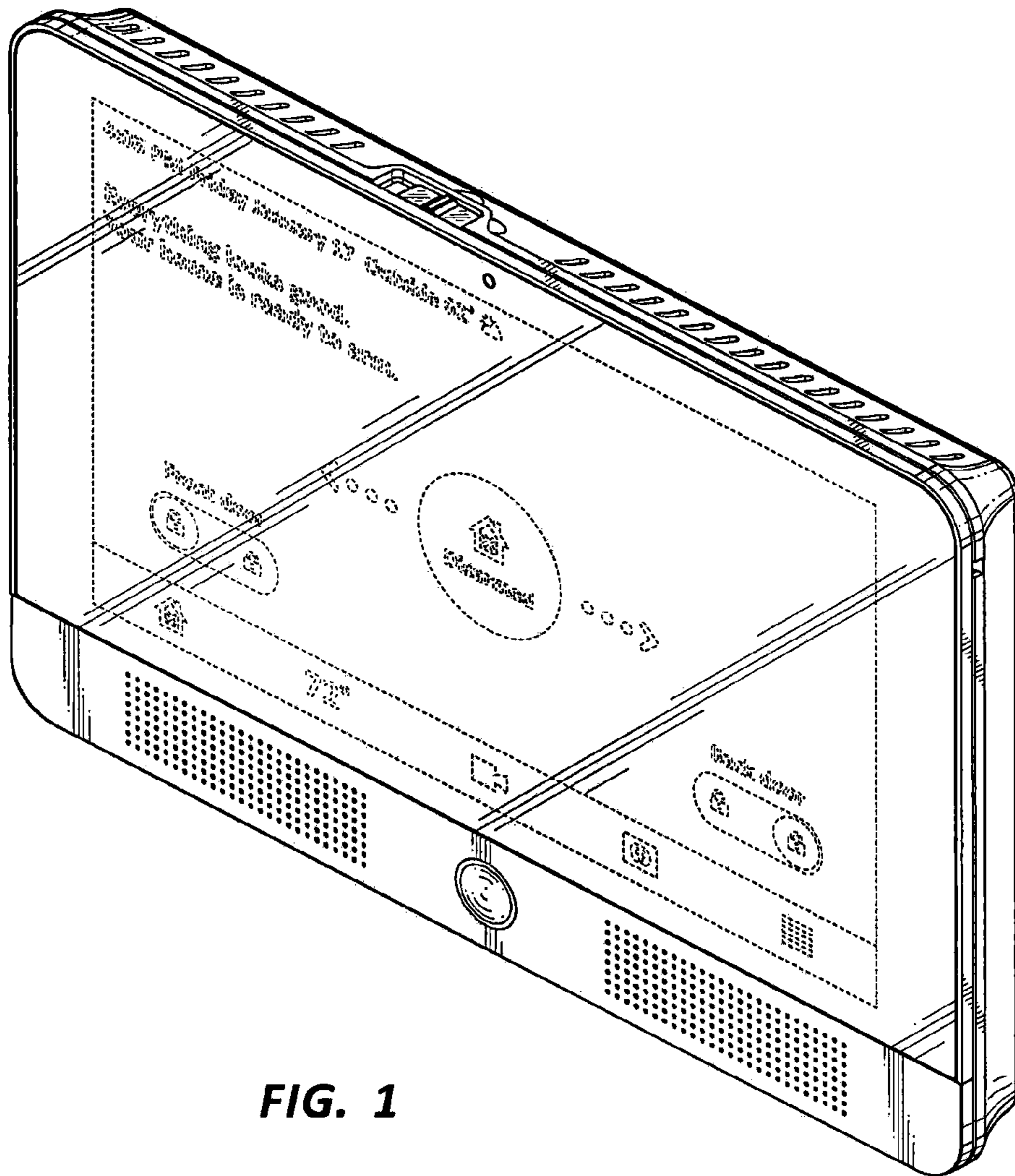


FIG. 1

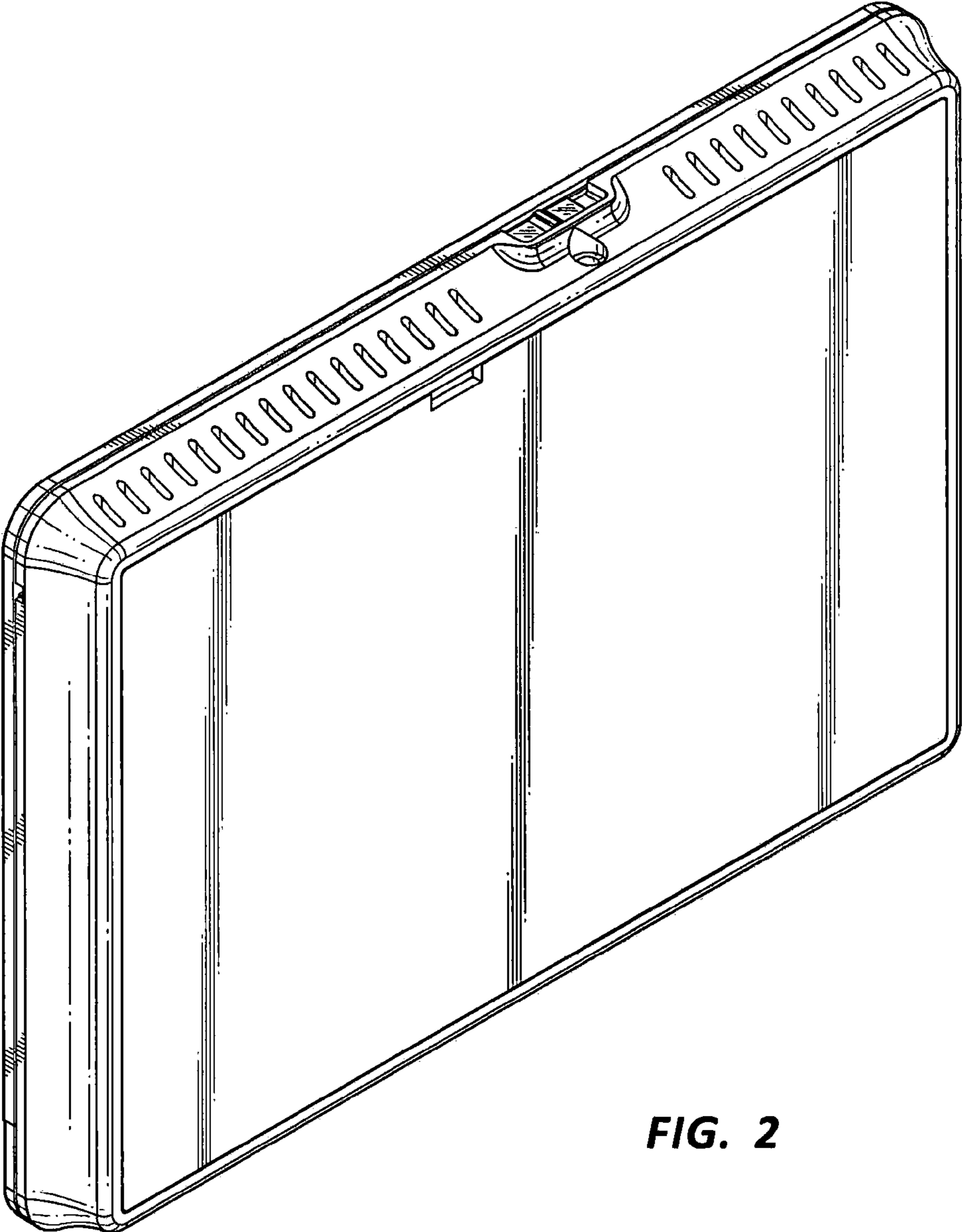


FIG. 2

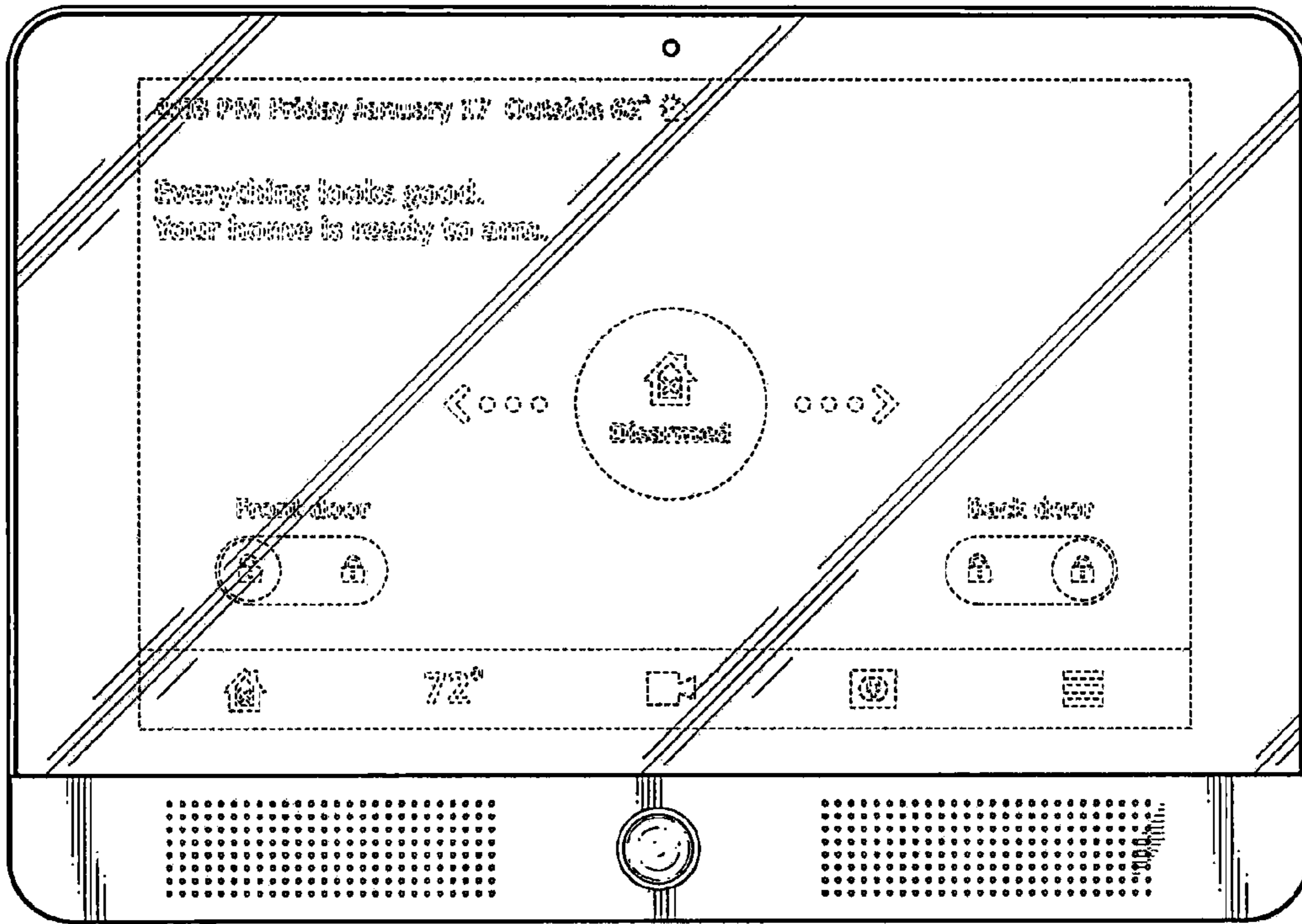


FIG. 3



FIG. 4



FIG. 5

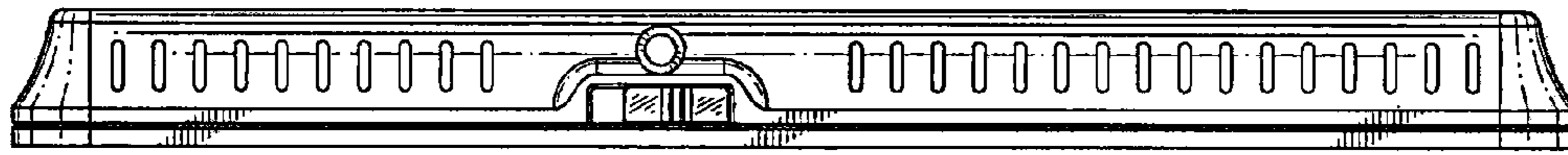


FIG. 6

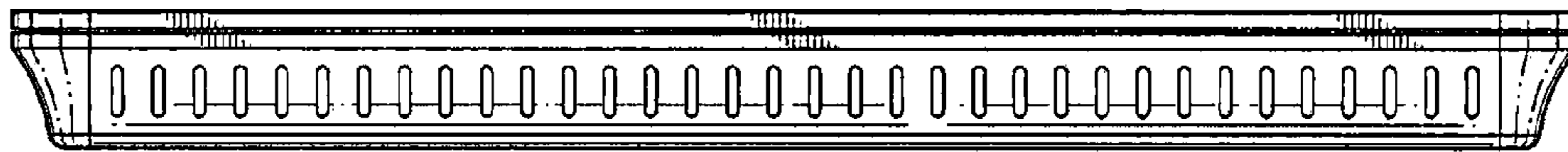


FIG. 7

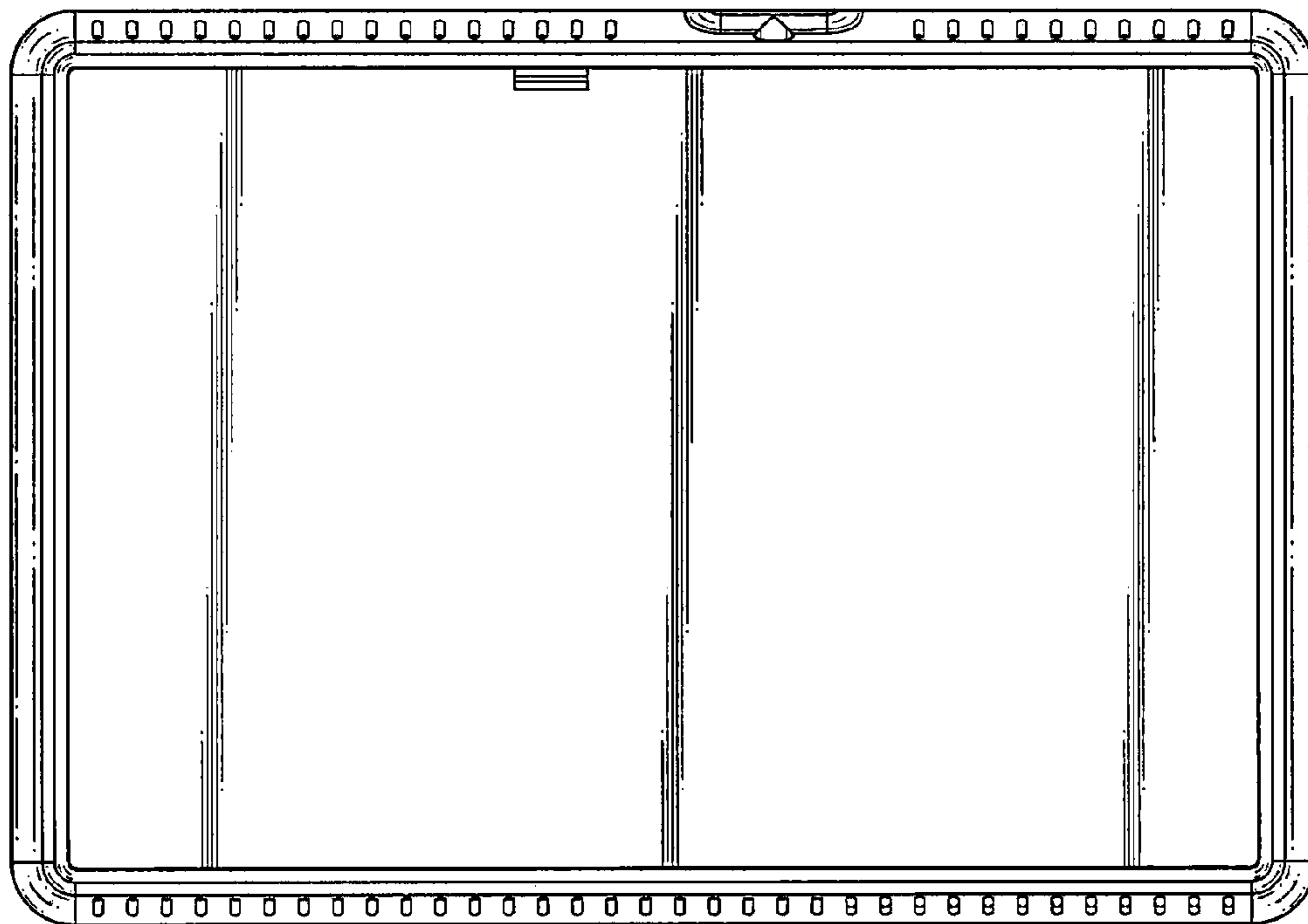


FIG. 8

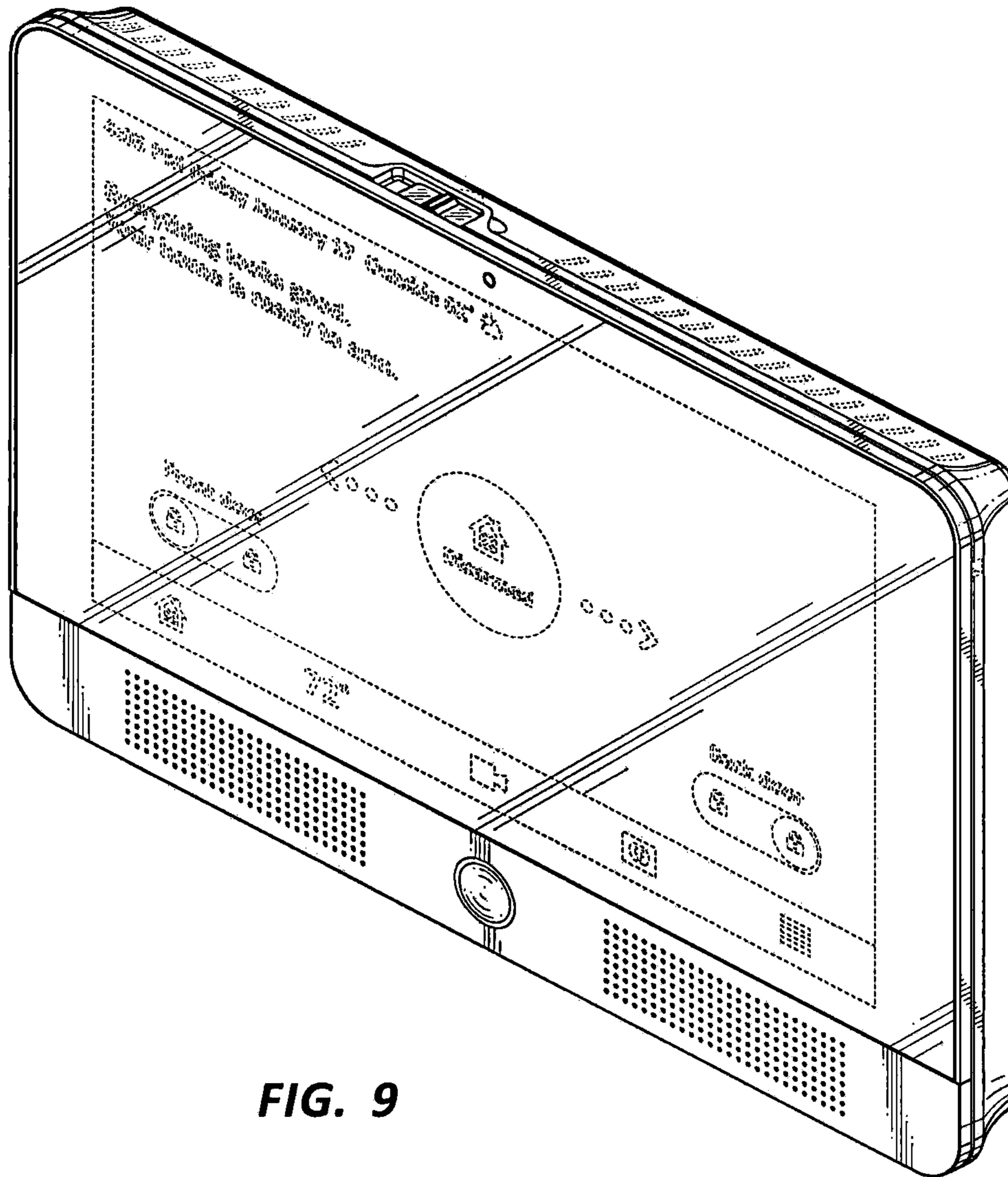


FIG. 9

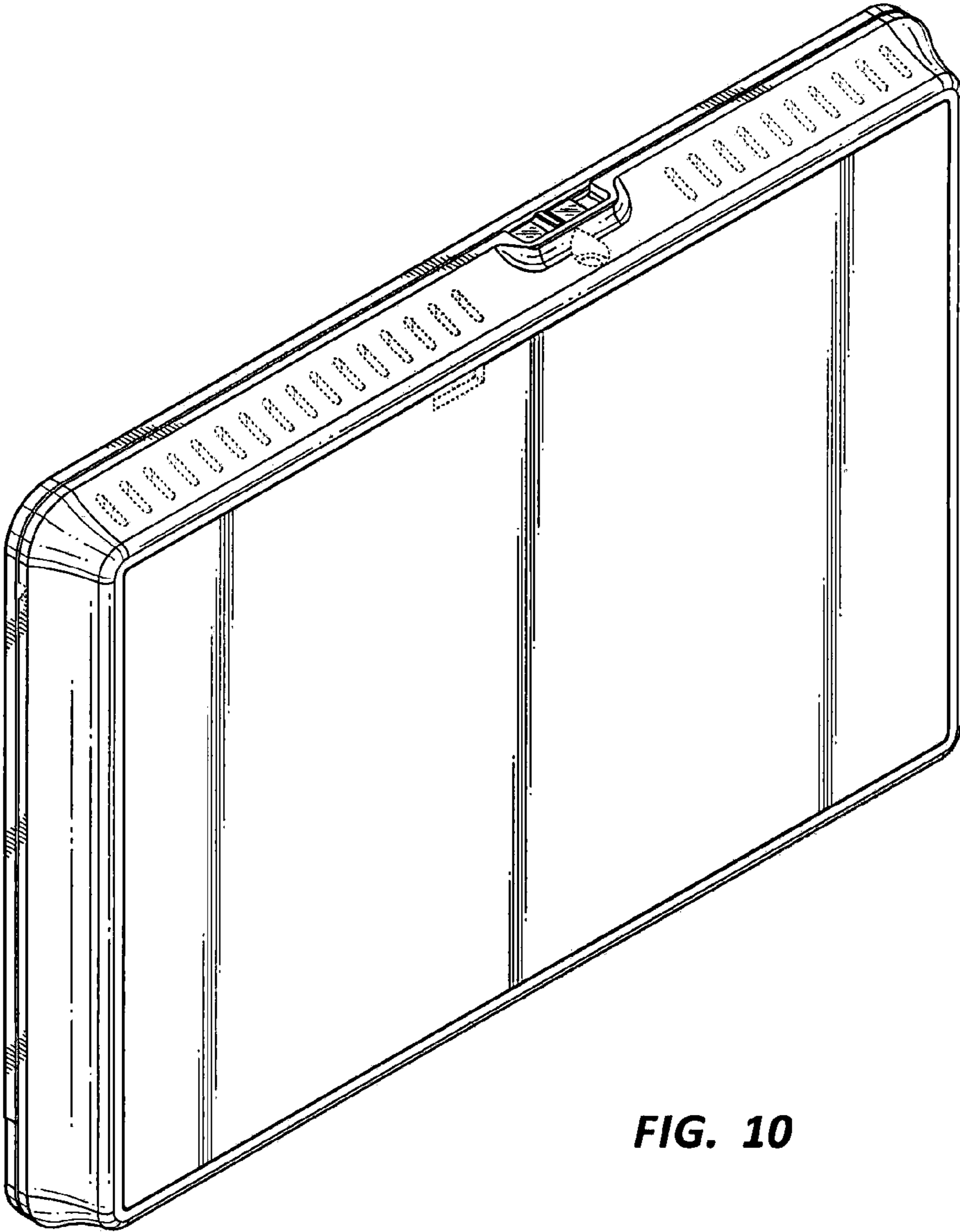


FIG. 10

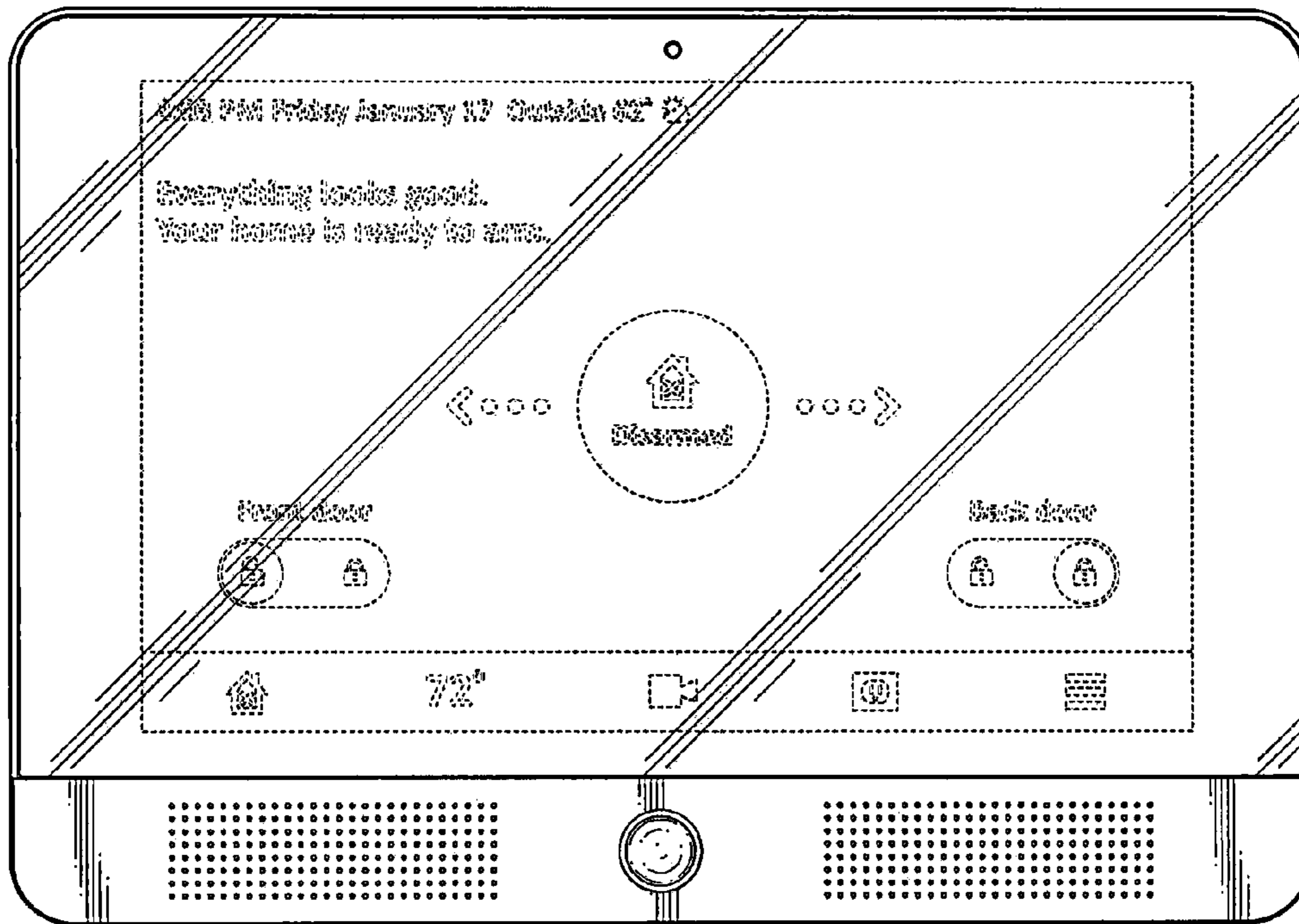


FIG. 11



FIG. 12

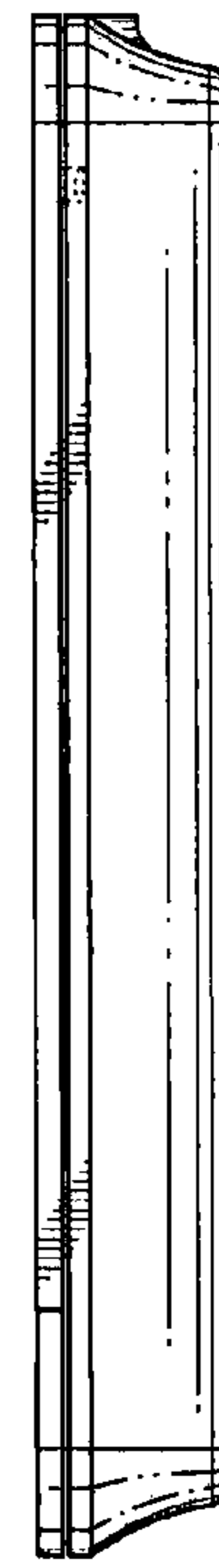


FIG. 13

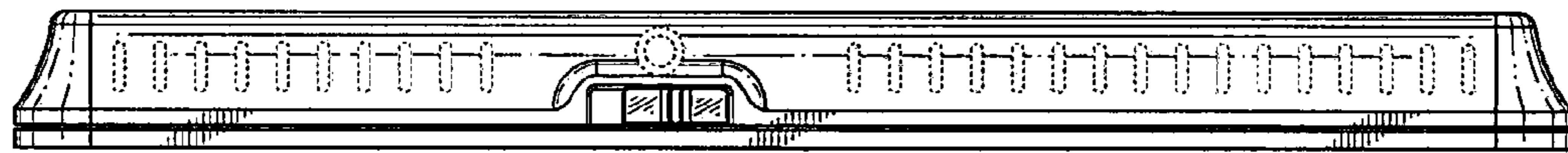


FIG. 14

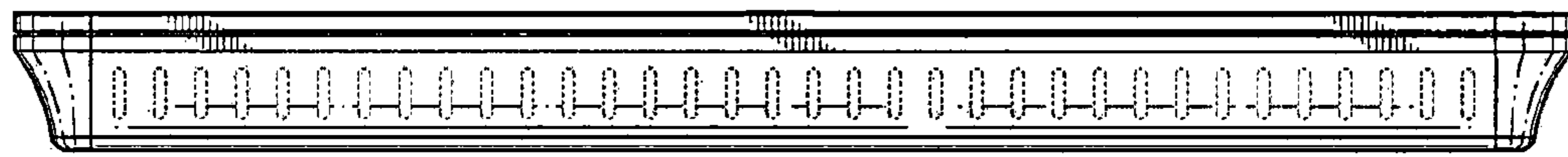


FIG. 15

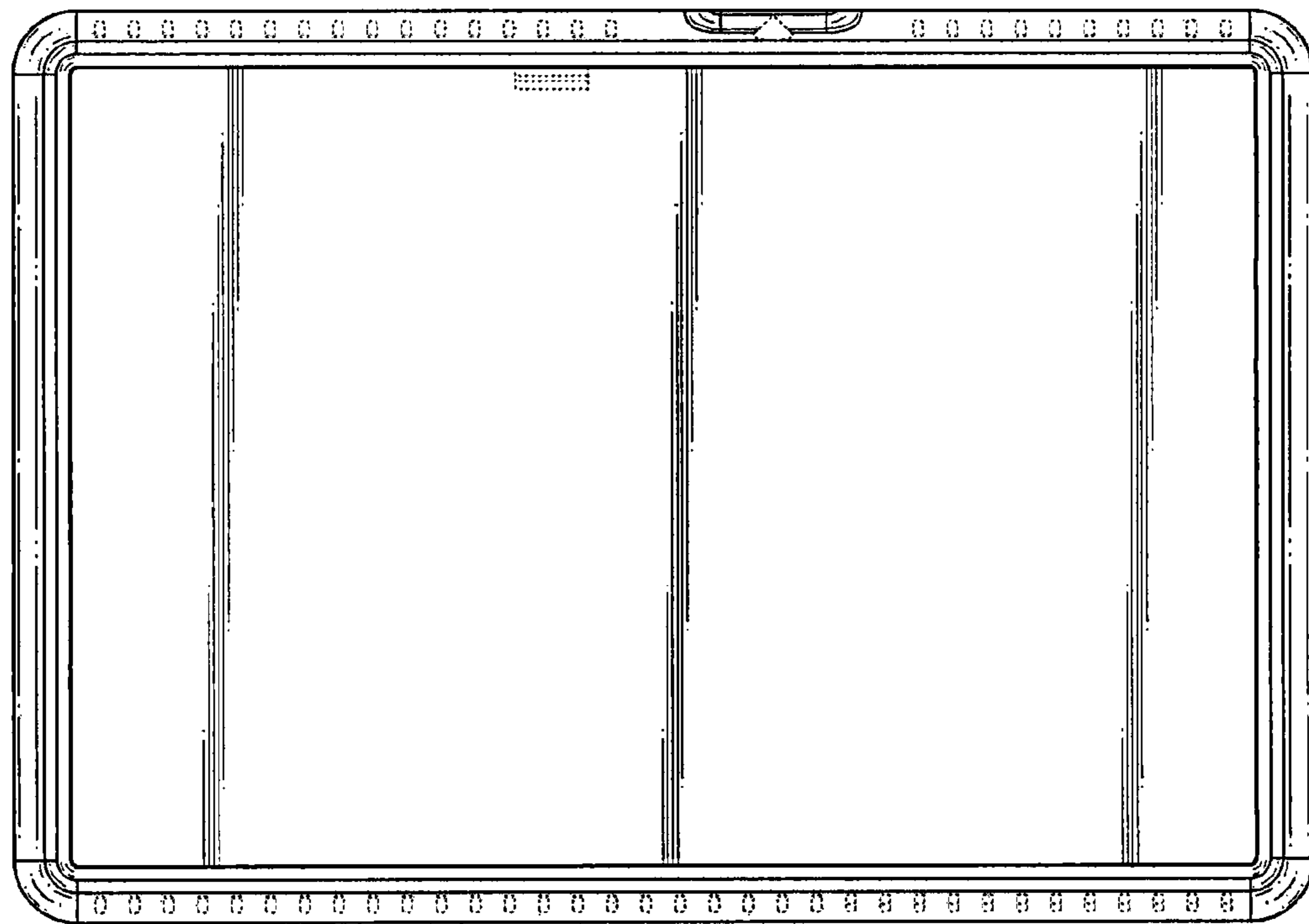


FIG. 16