



US00D741268S

(12) **United States Design Patent**
Schmid

(10) **Patent No.:** **US D741,268 S**

(45) **Date of Patent:** **** Oct. 20, 2015**

(54) **FACE PANEL FOR RACK-MOUNT
CONTROLLER**

(56) **References Cited**

U.S. PATENT DOCUMENTS

(71) Applicant: **Juergen R. Schmid**, Ammerbuch (DE)

D278,522 S * 4/1985 Hardesty D13/164

(72) Inventor: **Juergen R. Schmid**, Ammerbuch (DE)

D287,243 S * 12/1986 Tope D13/164

(73) Assignee: **MASCHINENFABRIK
REINHAUSEN GMBH**, Regensburg
(DE)

4,964,018 A * 10/1990 Mallory et al. 361/725

5,015,829 A * 5/1991 Eilert et al. 235/1 D

5,229,925 A * 7/1993 Spencer et al. 361/814

D416,544 S * 11/1999 Jordan D13/162

6,030,060 A * 2/2000 Drake 312/205

6,185,110 B1 * 2/2001 Liu 361/829

6,219,235 B1 * 4/2001 Diaz et al. 361/695

D559,792 S * 1/2008 Gemme et al. D13/164

7,612,990 B2 * 11/2009 Larson et al. 361/679.21

D608,302 S * 1/2010 Liu D13/164

D642,134 S * 7/2011 Walser D13/164

7,978,465 B2 * 7/2011 Osaka et al. 361/679.22

8,253,015 B2 * 8/2012 Chang 174/50

2002/0179422 A1 * 12/2002 Madsen et al. 200/296

(**) Term: **14 Years**

(21) Appl. No.: **29/489,765**

(22) Filed: **May 2, 2014**

* cited by examiner

(30) **Foreign Application Priority Data**

Primary Examiner — Selina Sikder

Nov. 4, 2013 (DE) 40 2013 101 084

(74) *Attorney, Agent, or Firm* — Andrew Wilford

(51) **LOC (10) Cl.** **13-03**

(57) **CLAIM**

(52) **U.S. Cl.**
USPC **D13/162**

The ornamental design for a face panel for a rack-mount controller, as shown and described.

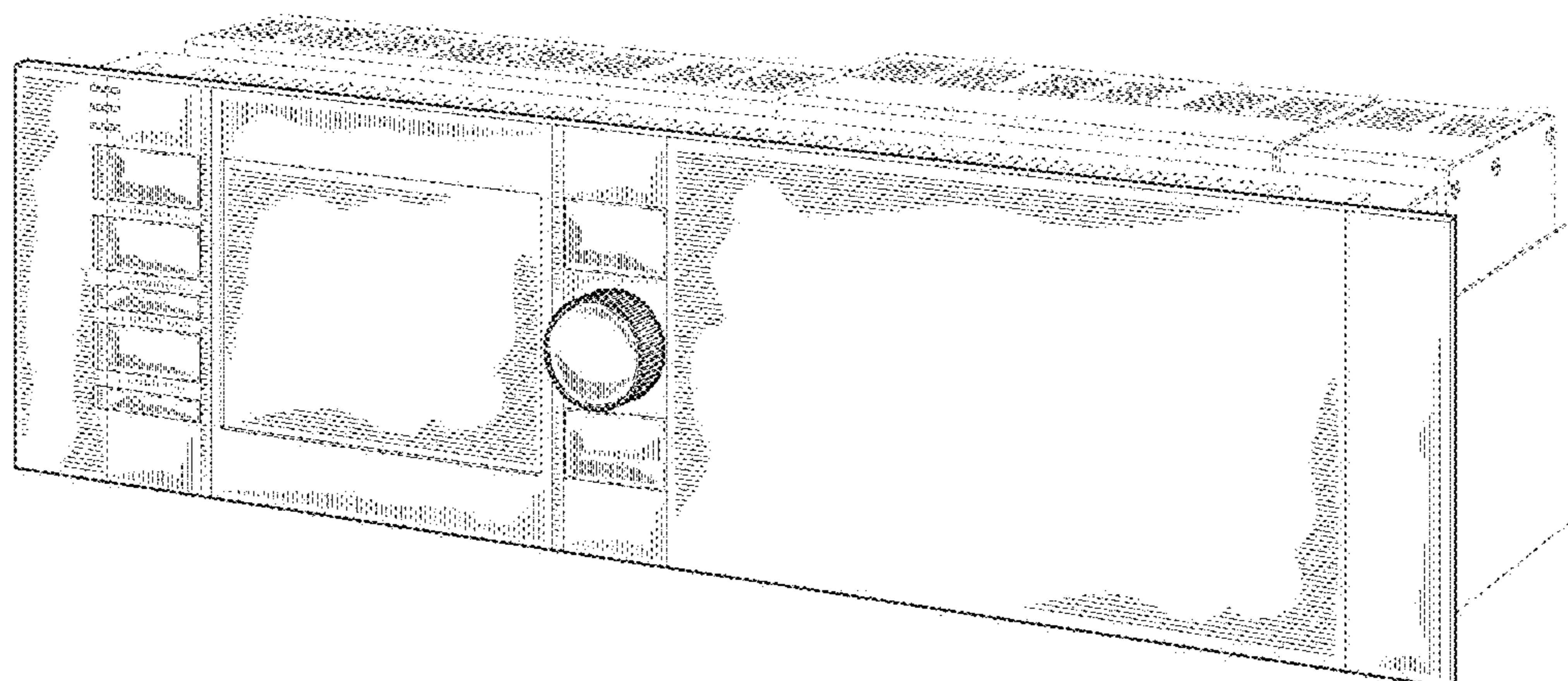
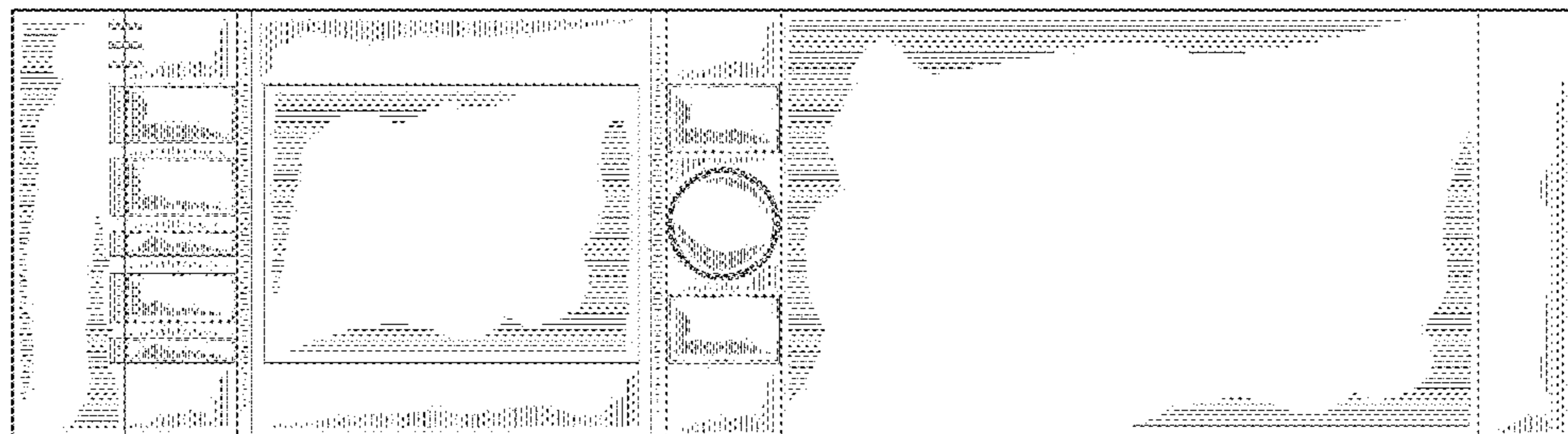
(58) **Field of Classification Search**
USPC D13/162, 162.1, 164
CPC G06F 1/18; G06F 1/181; G05B 19/00;
G05B 19/02; G05B 19/04; G05B 19/045;
G05B 19/05; H05K 7/14; H05K 7/1425;
H05K 7/1427; H05K 7/18

DESCRIPTION

FIG. 1 is a front elevational view of the face panel; and, FIG. 2 is a perspective view thereof wherein the broken lines shown are for illustrative purposes only and forms no part of the claimed design.

See application file for complete search history.

1 Claim, 2 Drawing Sheets



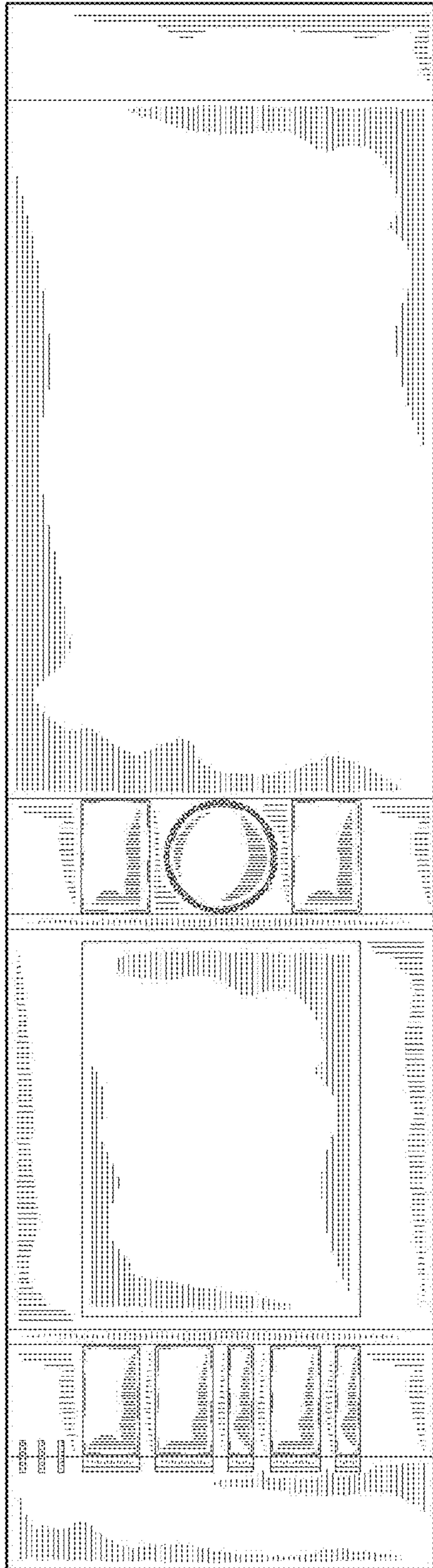


FIG. 1

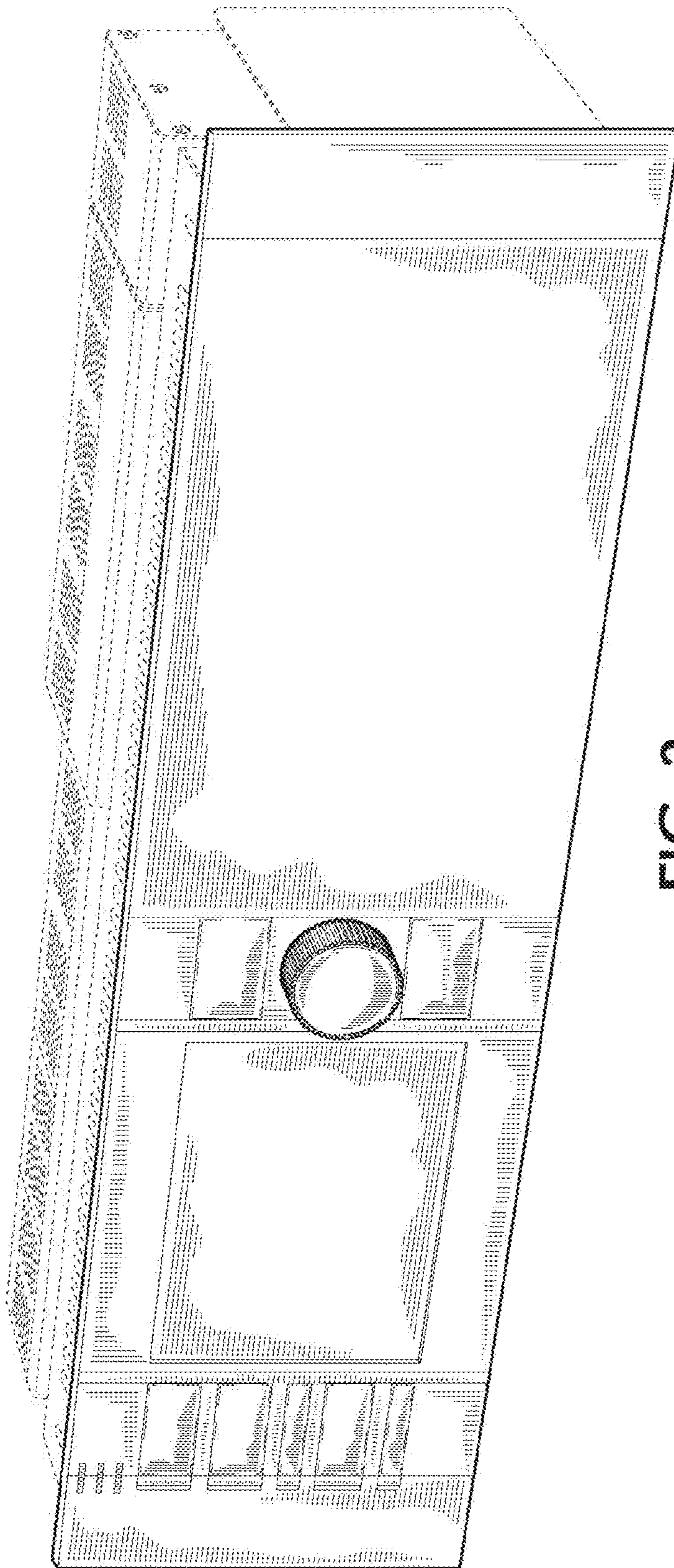


FIG. 2