



US00D741265S

(12) **United States Design Patent**
Lee

(10) **Patent No.:** **US D741,265 S**
(45) **Date of Patent:** **** Oct. 20, 2015**

- (54) **UNIVERSAL MULTI-PLUG ADAPTER**
- (71) Applicant: **XYZ SCIENCE CO., LTD.**, New Taipei (TW)
- (72) Inventor: **Chiu-San Lee**, New Taipei (TW)
- (73) Assignee: **XYZ Science Co., Ltd.**, New Taipei (TW)
- (**) Term: **14 Years**
- (21) Appl. No.: **29/471,007**
- (22) Filed: **Oct. 28, 2013**
- (51) **LOC (10) Cl.** **13-03**
- (52) **U.S. Cl.**
USPC **D13/137.2**
- (58) **Field of Classification Search**
USPC D13/137.1, 137.2, 138.1, 138.2, 139.1, 139.2, 139.3, 110, 199, 152, 160, 146; 439/95, 172, 337, 694, 131, 171, 439/476.1, 650-655, 628, 606, 106, 105; 174/53, 54, 57, 59, 61
See application file for complete search history.

- D621,781 S * 8/2010 Chang et al. D13/137.2
- D682,219 S * 5/2013 Lee et al. D13/152
- D682,220 S * 5/2013 Lee et al. D13/152
- D683,315 S * 5/2013 Carlucci et al. D13/146
- D702,639 S * 4/2014 Ruffner D13/139.1
- 8,702,436 B2 * 4/2014 Lee 439/222
- 8,734,168 B2 * 5/2014 Lee et al. 439/95
- D706,220 S * 6/2014 Zaslavsky et al. D13/137.2

* cited by examiner

Primary Examiner — Holly Baynham
Assistant Examiner — Rhea Shields

(74) *Attorney, Agent, or Firm* — Leong C. Lei

(57) **CLAIM**

The ornamental design for a universal multi-plug adapter, as shown and described.

DESCRIPTION

FIG. 1 is a perspective view of a universal multi-plug adapter showing my new design;
FIG. 2 is a front elevational view thereof;
FIG. 3 is a rear elevational view thereof;
FIG. 4 is a left side elevational view thereof;
FIG. 5 is a right side elevational view thereof;
FIG. 6 is a top plan view thereof;
FIG. 7 is a bottom plan view thereof; and,
FIG. 8 is another top perspective view thereof; shown in another environment.

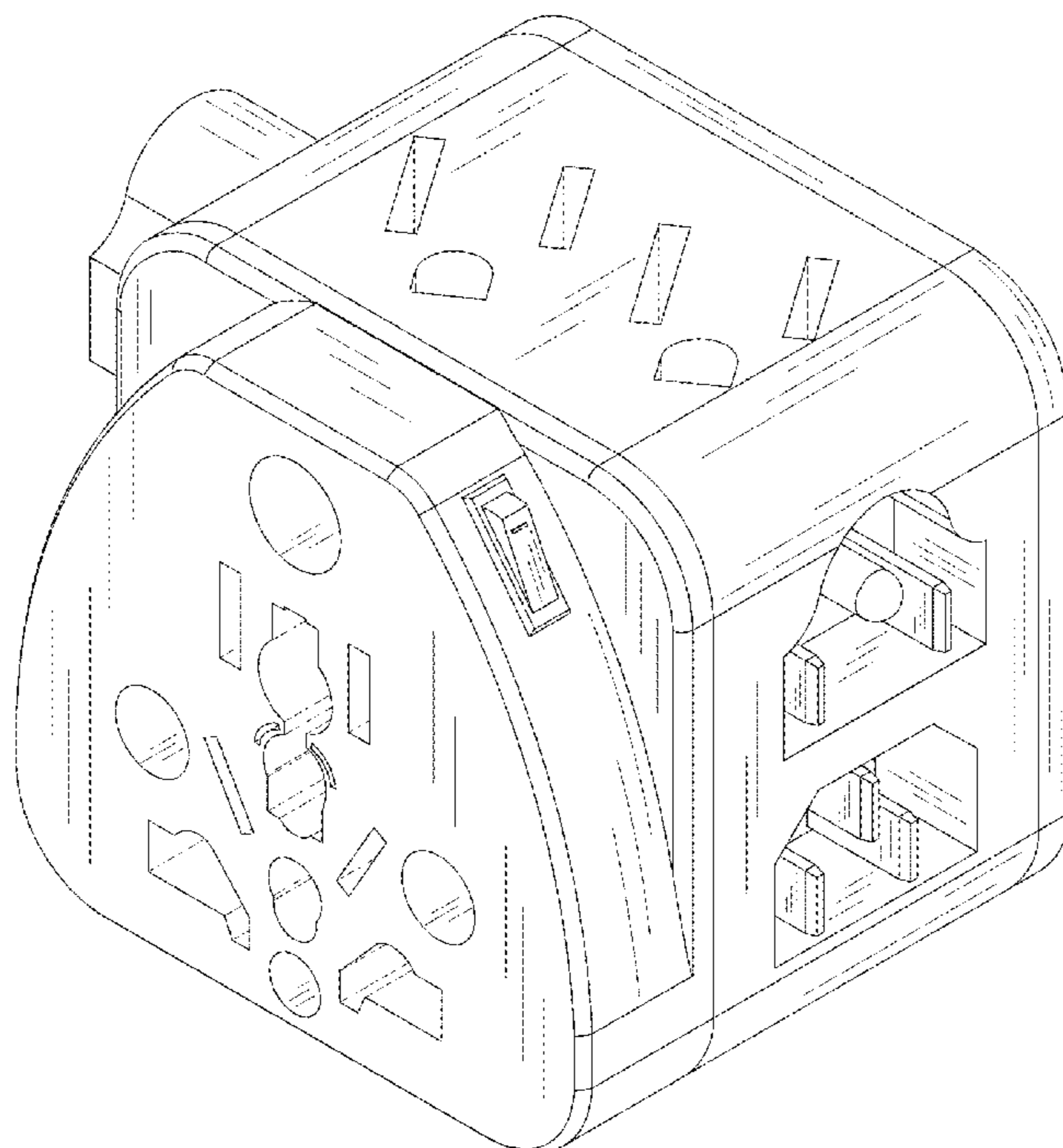
In the drawings, the broken lines are for the purpose of illustrating environment only and form no part of the claimed design.

1 Claim, 8 Drawing Sheets

(56) **References Cited**

U.S. PATENT DOCUMENTS

- D292,700 S * 11/1987 Rauch D13/137.1
- D376,129 S * 12/1996 Muller et al. D13/137.1
- D382,854 S * 8/1997 Muller et al. D13/137.2
- D462,056 S * 8/2002 Chung D13/137.1
- D475,015 S * 5/2003 Shimojo D13/137.1
- 7,445,513 B1 * 11/2008 Lee 439/652



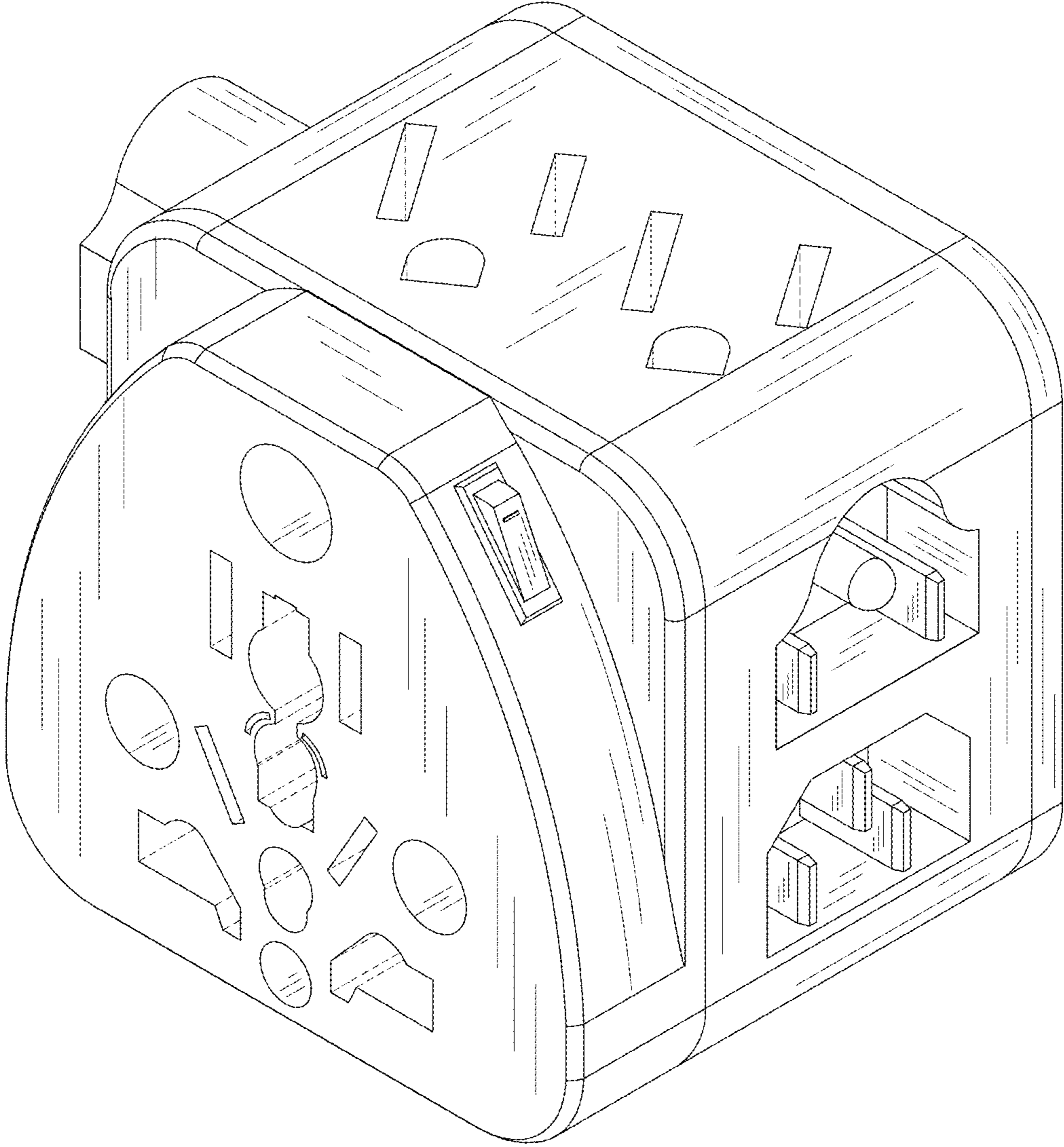


FIG. 1

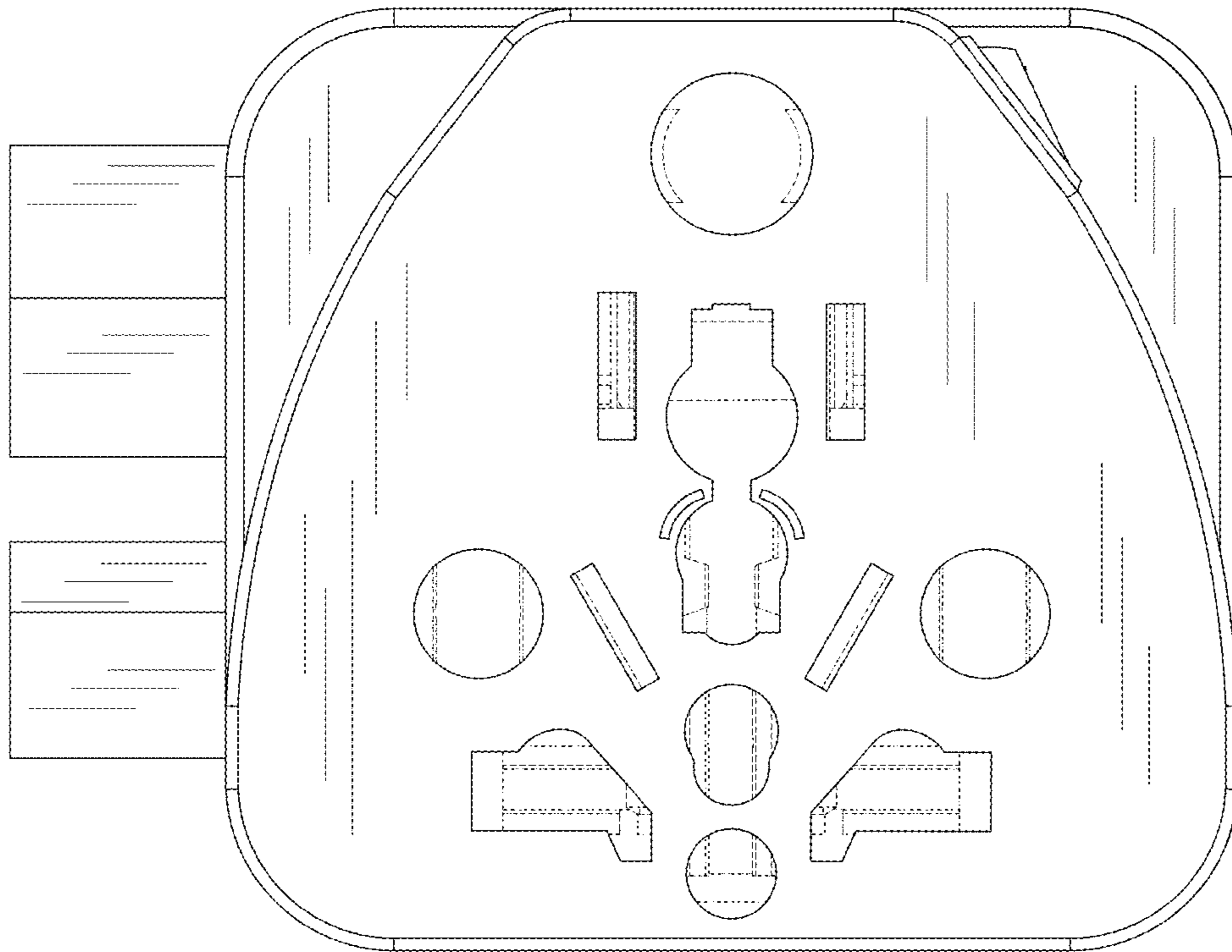


FIG. 2

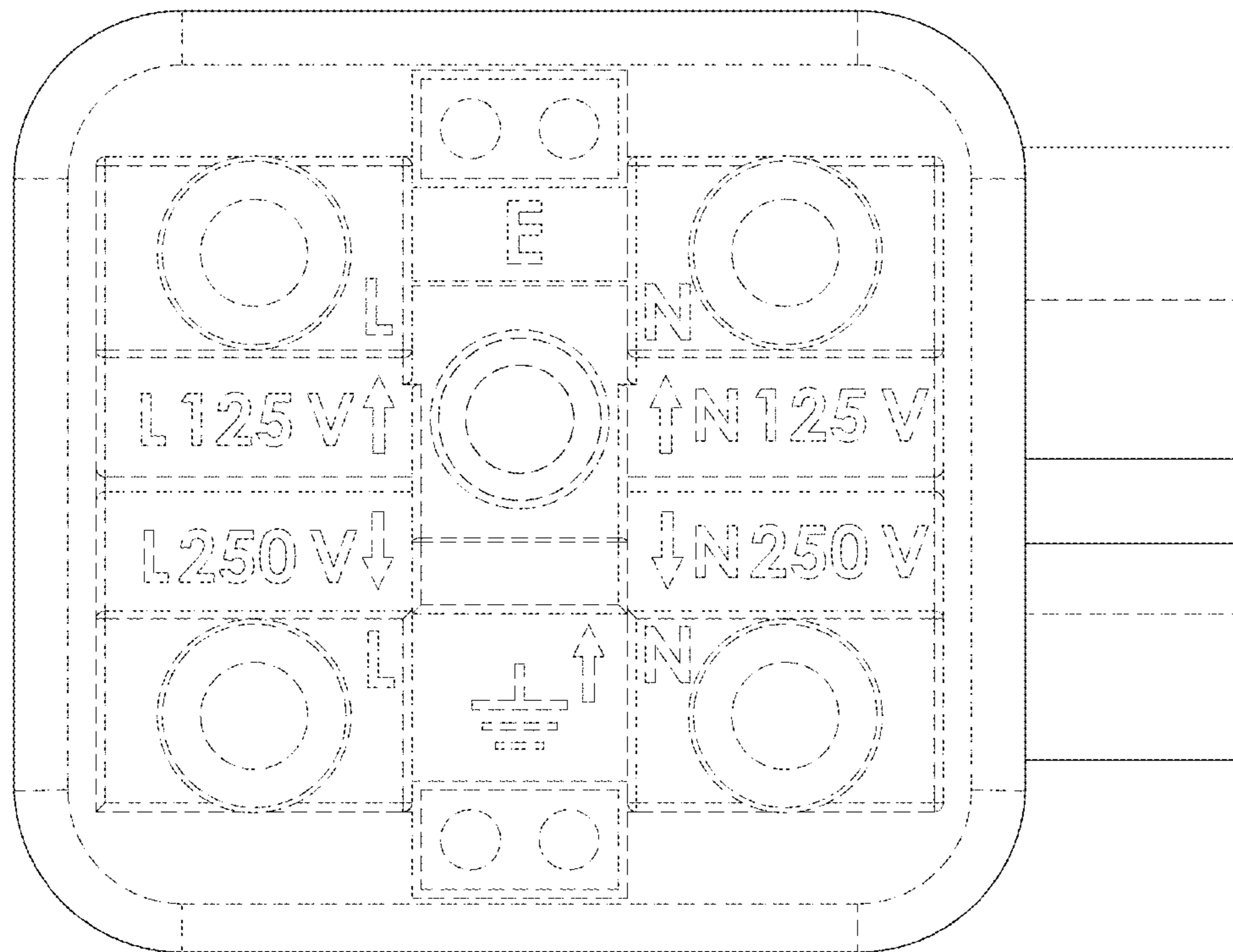


FIG. 3

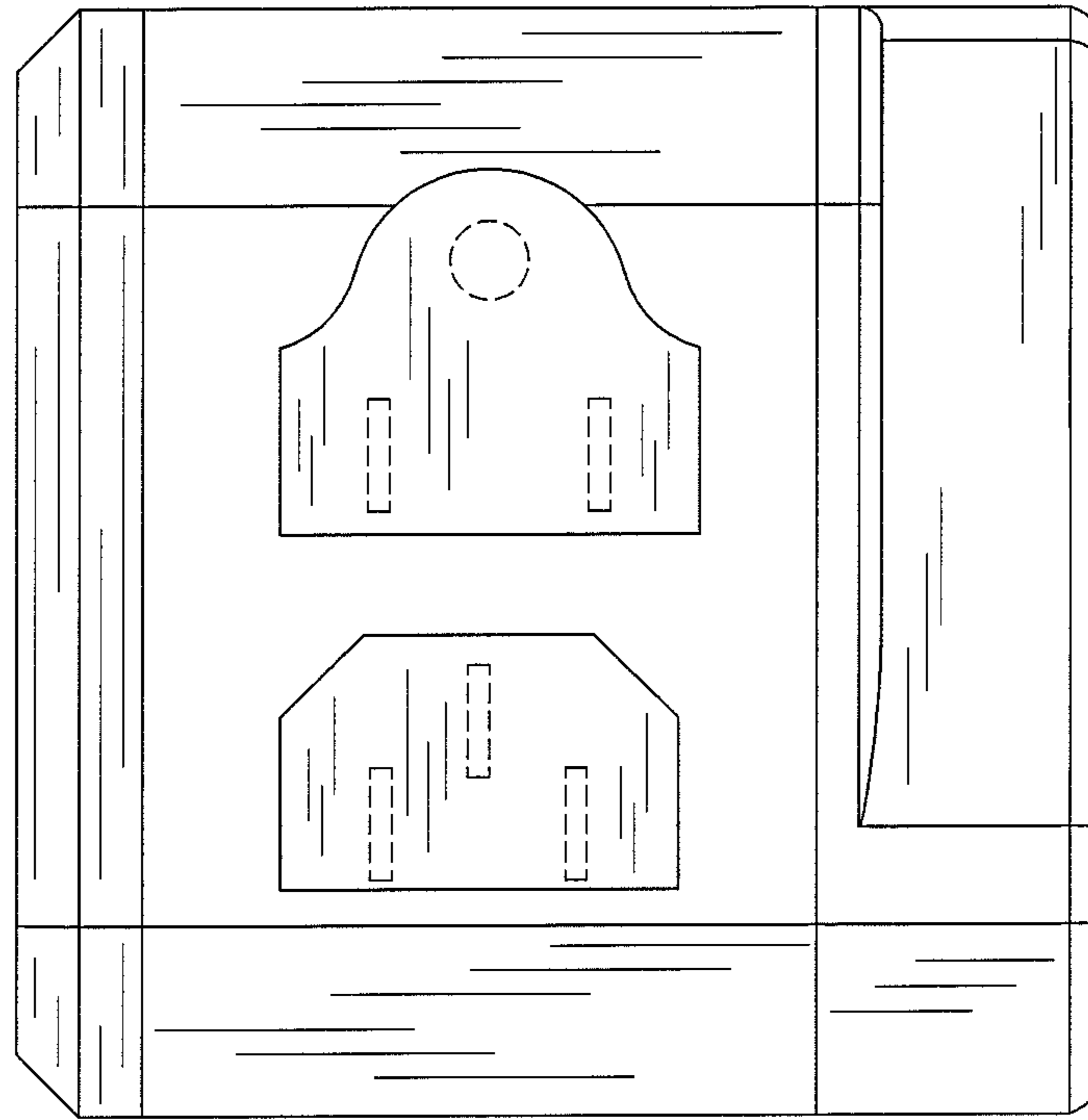


FIG. 4

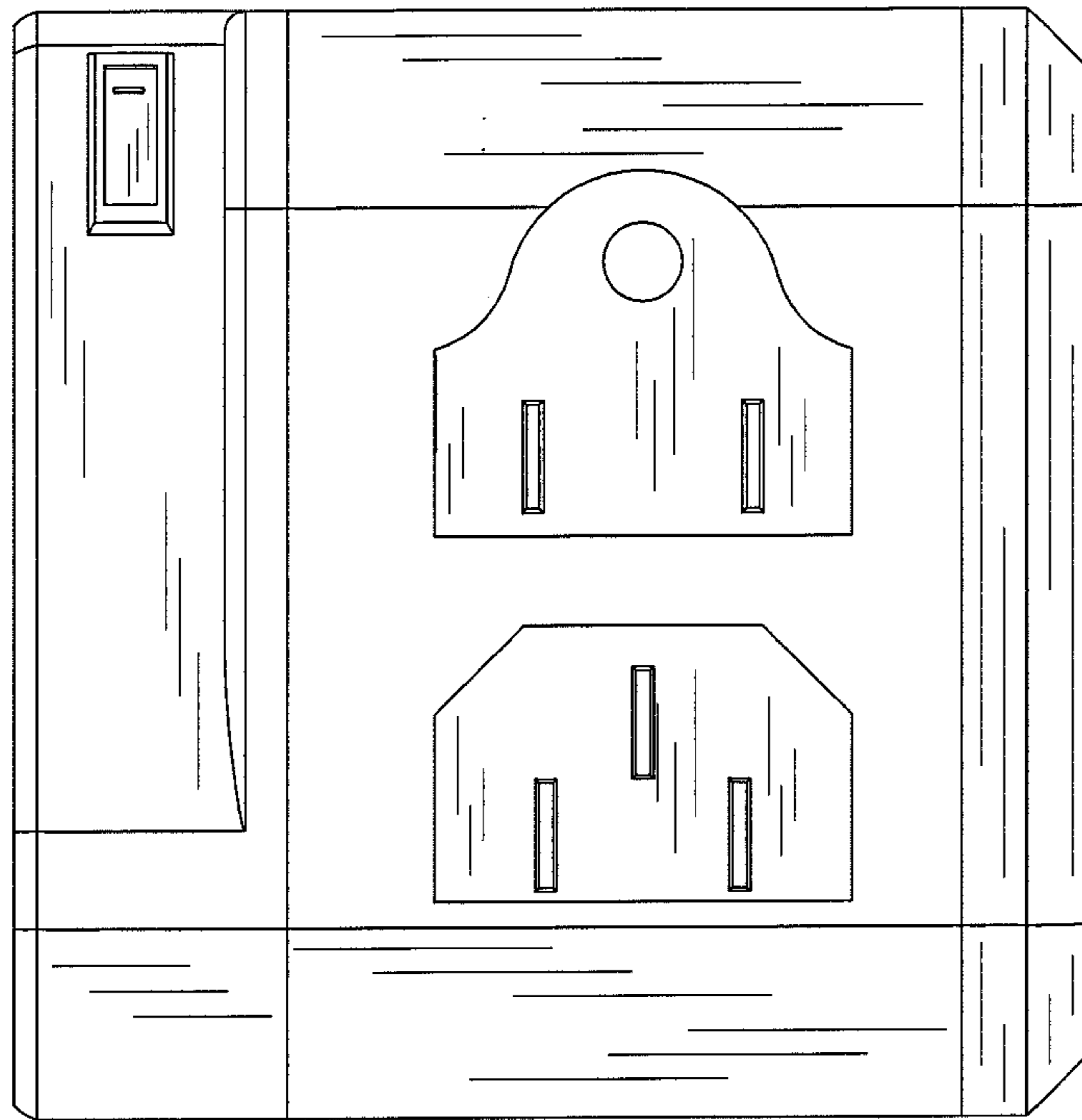


FIG. 5

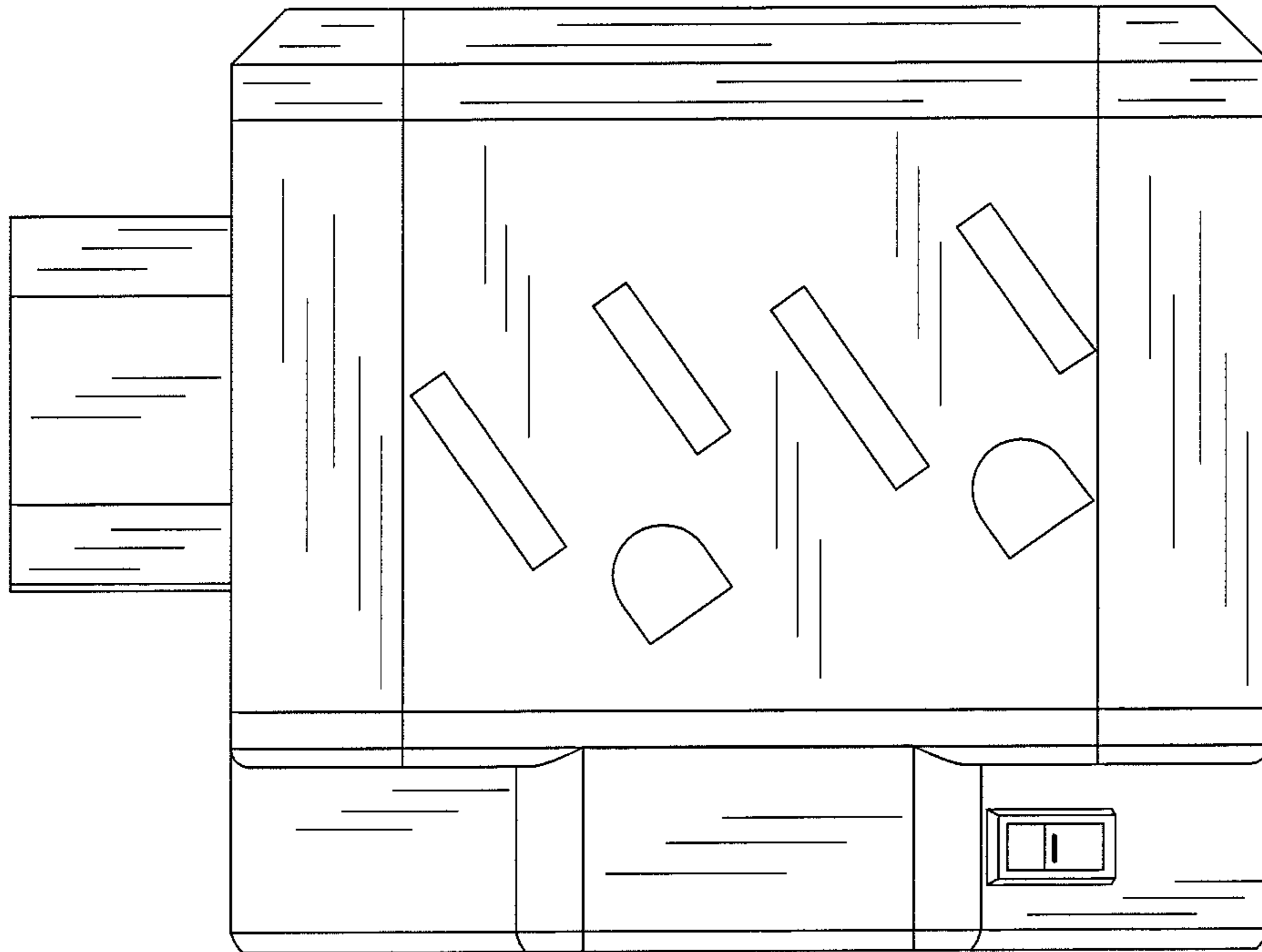


FIG. 6

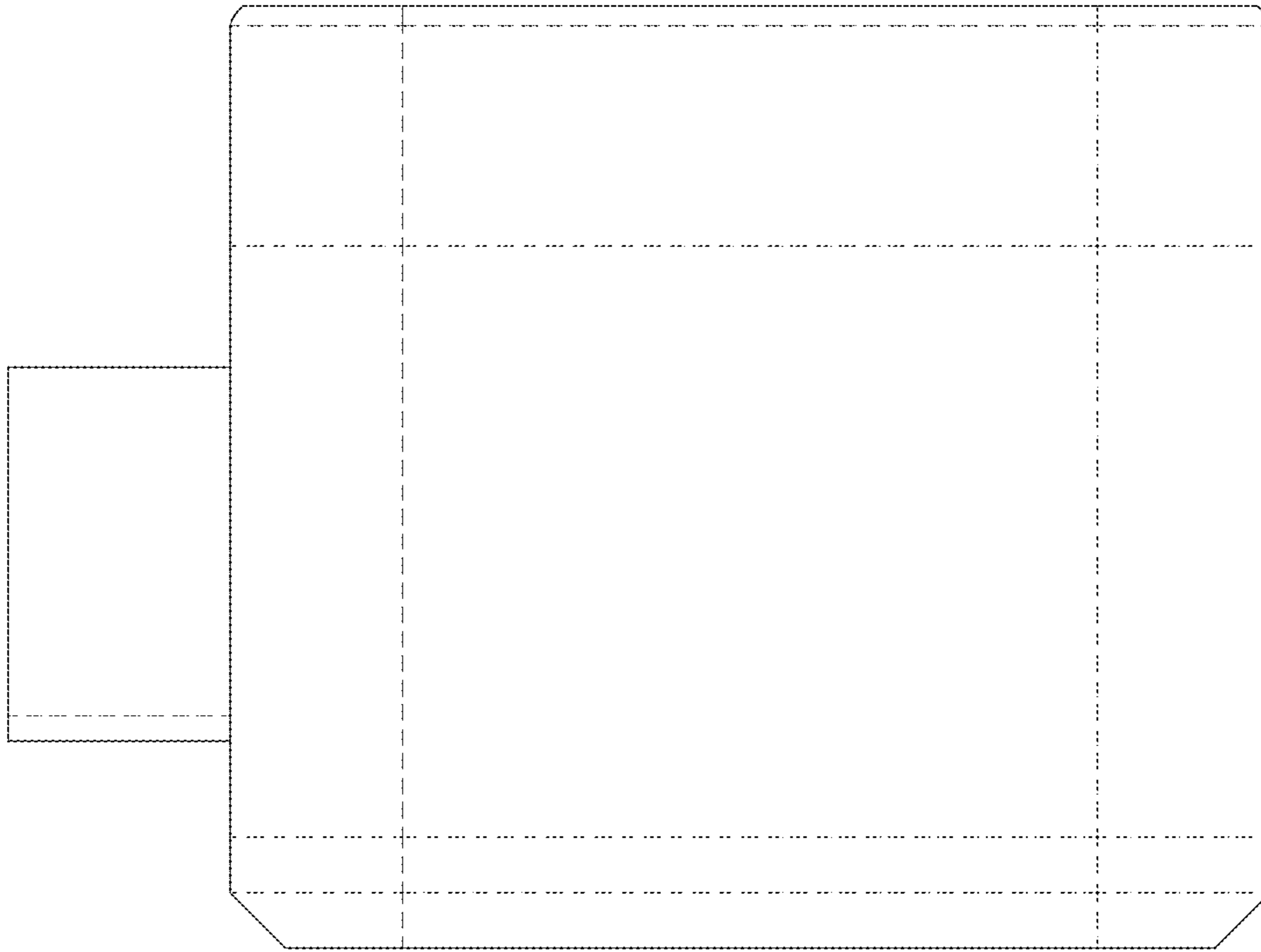


FIG. 7

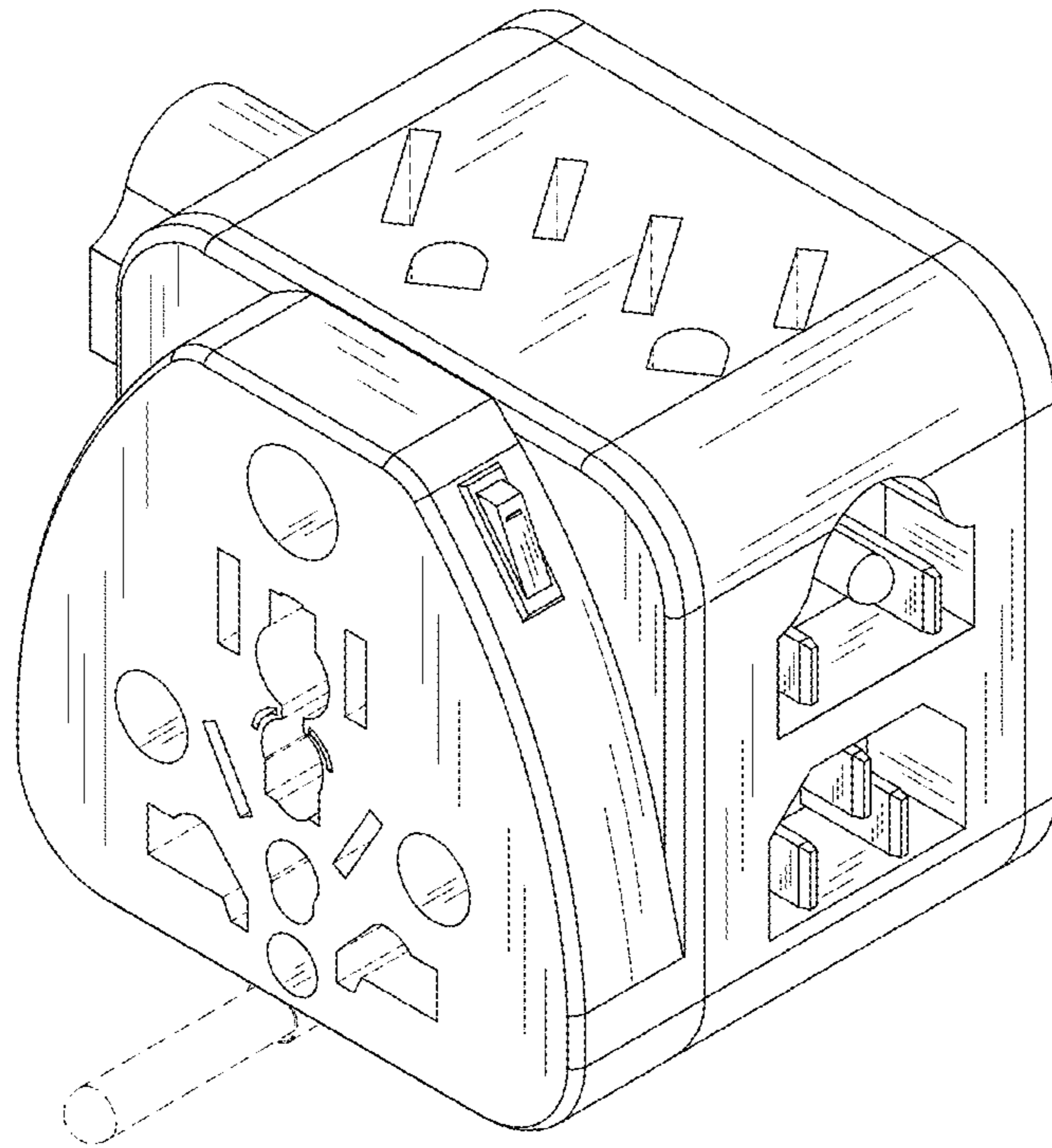


FIG. 8