



US00D741264S

(12) **United States Design Patent**
Vanbecelaere

(10) **Patent No.:** **US D741,264 S**

(45) **Date of Patent:** **** Oct. 20, 2015**

(54) **BATTERY CONNECTOR**

(71) Applicant: **CASTLE CREATIONS, INC.**, Olathe,
KS (US)

(72) Inventor: **Jacob Christopher Vanbecelaere**,
Olathe, KS (US)

(73) Assignee: **CASTLE CREATIONS, INC.**, Olathe,
KS (US)

(**) Term: **14 Years**

(21) Appl. No.: **29/474,519**

(22) Filed: **Jul. 22, 2014**

(51) **LOC (10) Cl.** **13-03**

(52) **U.S. Cl.**
USPC **D13/120**

(58) **Field of Classification Search**
USPC D14/251, 253, 432, 434, 356, 155;
439/300, 620.01, 638, 668-669, 675,
439/825; 320/107-115

CPC Y02E 60/12; Y02E 60/10; Y02E 60/122;
Y02E 60/124; Y02E 60/50; Y02T 90/14;
Y02T 90/122; Y02T 90/128; Y02T 90/163;
H02J 7/025; H02J 7/0042; H02J 7/0044;
H02J 7/0045; H02J 7/0003; H01F 38/14;
H01R 13/6675; H01R 13/02; H01R 13/10;
H01R 13/22; H01R 13/627; H01M 2/1022;
H01M 2/1055; H01M 10/44; H01M 10/46;
H01M 10/425; B60L 11/182

See application file for complete search history.

(56) **References Cited**

U.S. PATENT DOCUMENTS

D311,733 S * 10/1990 Kuzuno et al. D13/133
D317,905 S * 7/1991 Garthwaite D13/151
D473,844 S * 4/2003 Bender et al. D13/133
D531,120 S * 10/2006 Tamura D13/133
D552,034 S * 10/2007 Hobson et al. D13/133
D575,736 S * 8/2008 Foreman et al. D13/119

D585,371 S * 1/2009 Foreman et al. D13/119
D585,372 S * 1/2009 Foreman et al. D13/119
D587,200 S * 2/2009 Allwood et al. D13/133
D588,989 S * 3/2009 Kok D13/133
D588,990 S * 3/2009 Kok et al. D13/133
D593,033 S * 5/2009 Ogata et al. D13/133
D594,414 S * 6/2009 Ogata et al. D13/133
D642,980 S * 8/2011 Inaba D13/119
D687,777 S * 8/2013 Yonishi et al. D13/119
D726,114 S * 4/2015 Nook et al. D13/133
2014/0154532 A1 * 6/2014 Chellew 429/7
2014/0170886 A1 * 6/2014 Kikuchi et al. 439/345
2014/0199876 A1 * 7/2014 Kato et al. 439/352

* cited by examiner

Primary Examiner — Rosemary K Tarcza

Assistant Examiner — Sanjeev Paul

(74) *Attorney, Agent, or Firm* — Shook, Hardy & Bacon
L.L.P.

(57) **CLAIM**

The ornamental design for a battery connector, substantially
as shown and described.

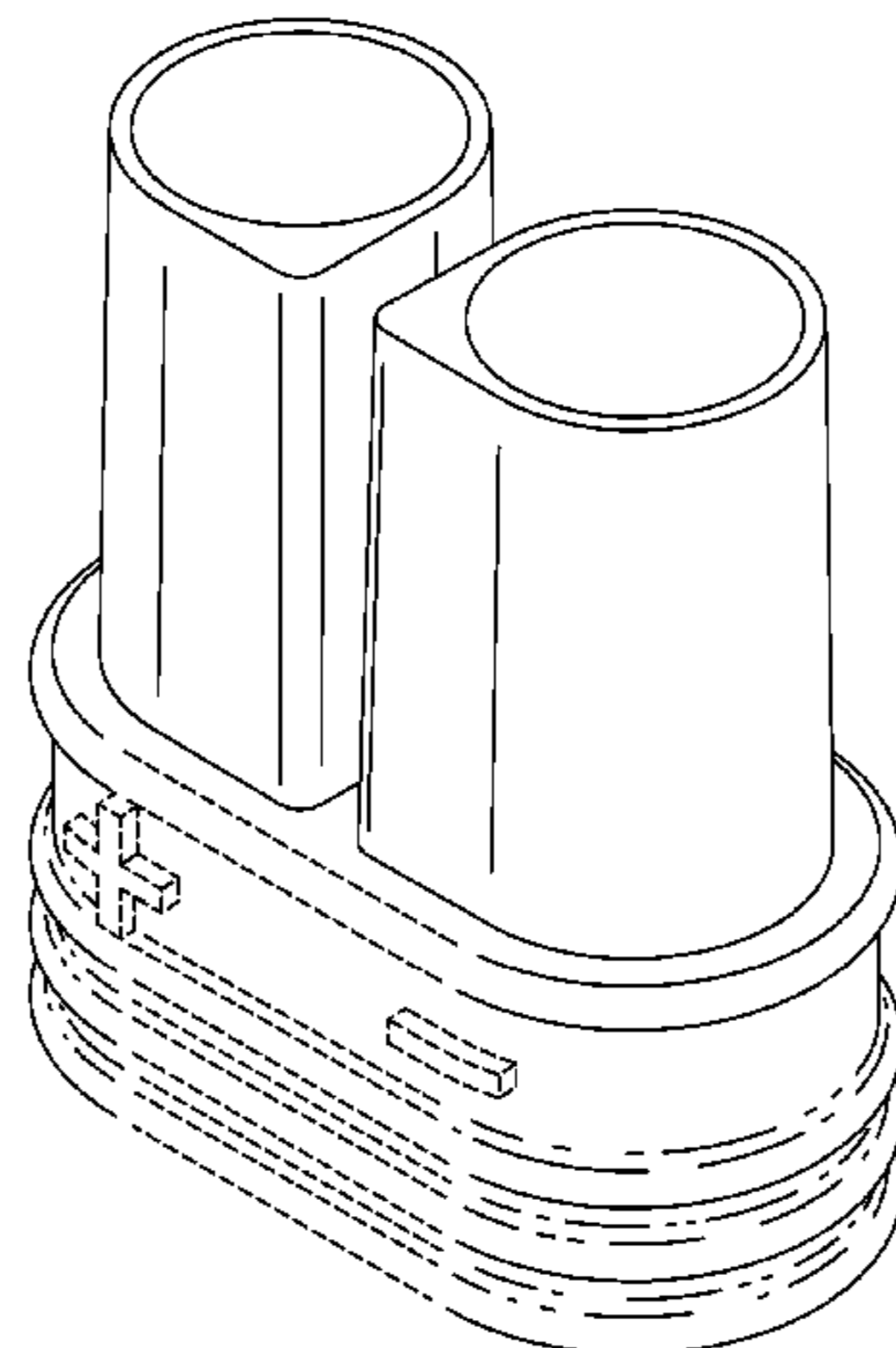
DESCRIPTION

FIG. 1 is a perspective view of a battery connector in accordance with one embodiment of the present invention;
FIG. 2 is a side view thereof;
FIG. 3 is a front elevation view thereof;
FIG. 4 is a back elevation view thereof;
FIG. 5 is a side view thereof;
FIG. 6 is a top view thereof; and,
FIG. 7 is a bottom view thereof.

The evenly spaced broken lines shown in the drawings are directed to environment, are for informational purposes only, and form no part of the claimed design.

The surface shading lines on the claimed portion are provided only to indicate the character and/or any contour or curvature of the surfaces. They do not indicate color, texture, markings that actually exist thereon, indicia, graphic representations, surface treatment, or any other ornamentation applied to the article.

1 Claim, 6 Drawing Sheets



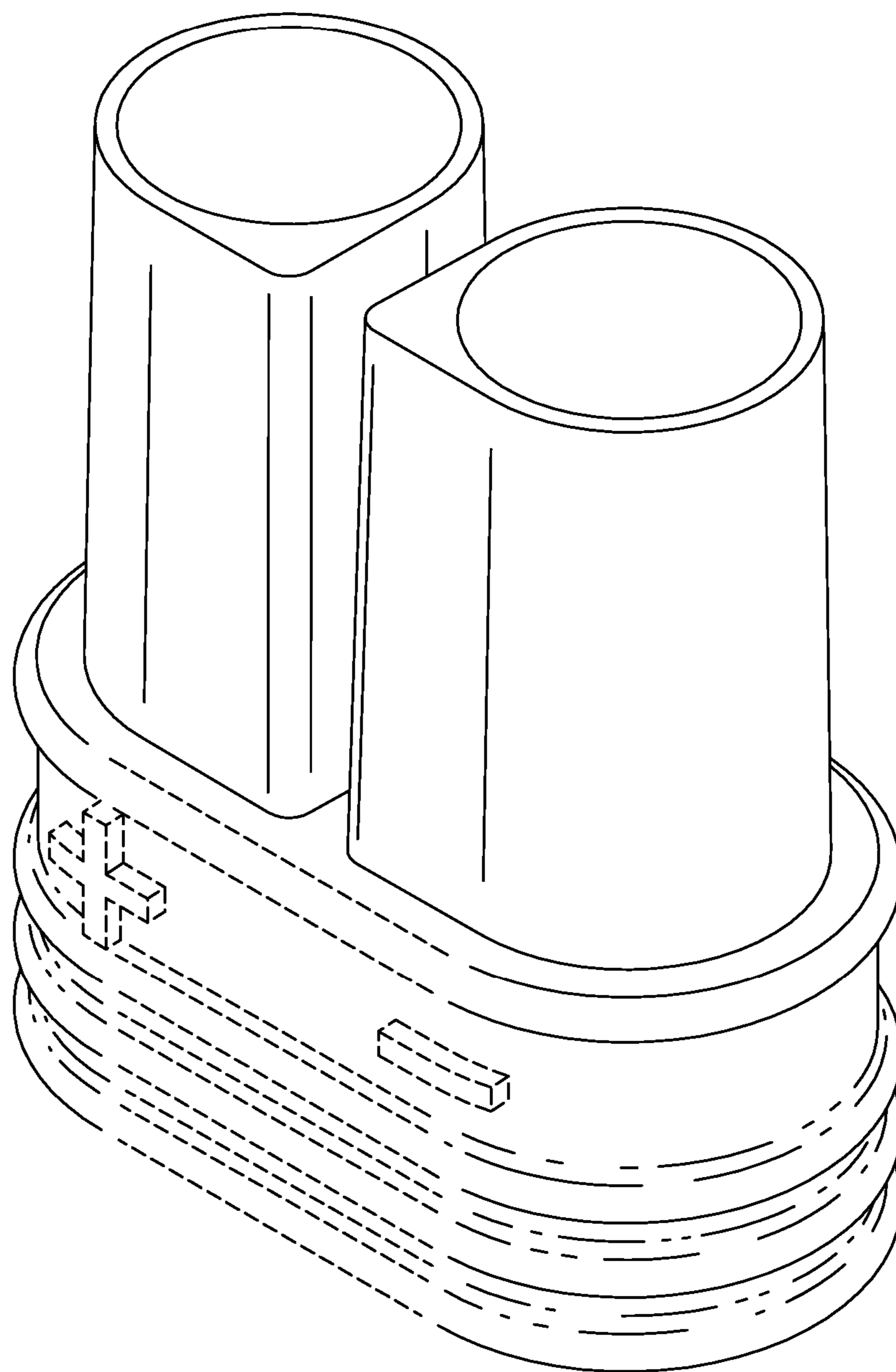


FIG. 1.

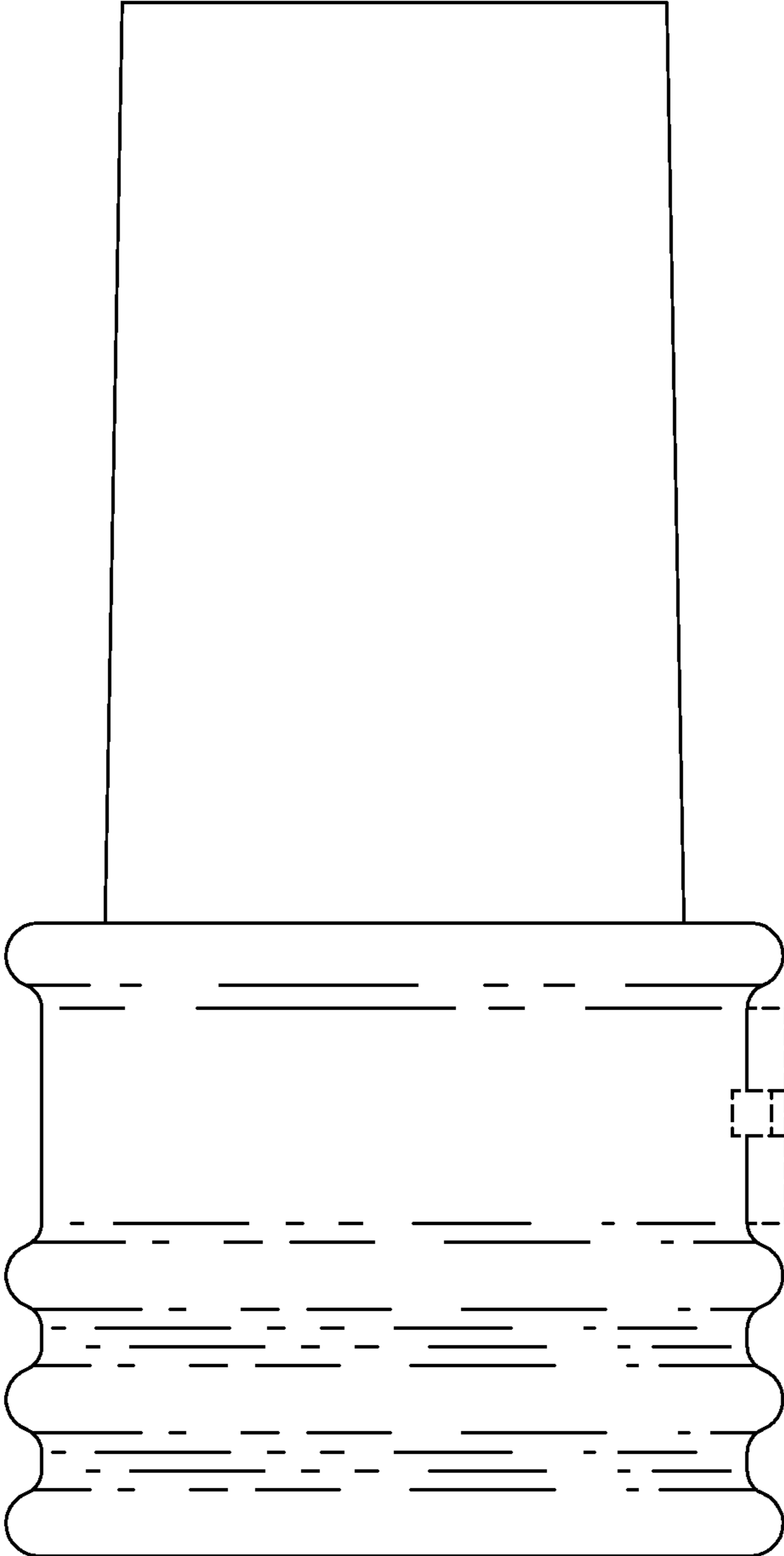


FIG. 2.

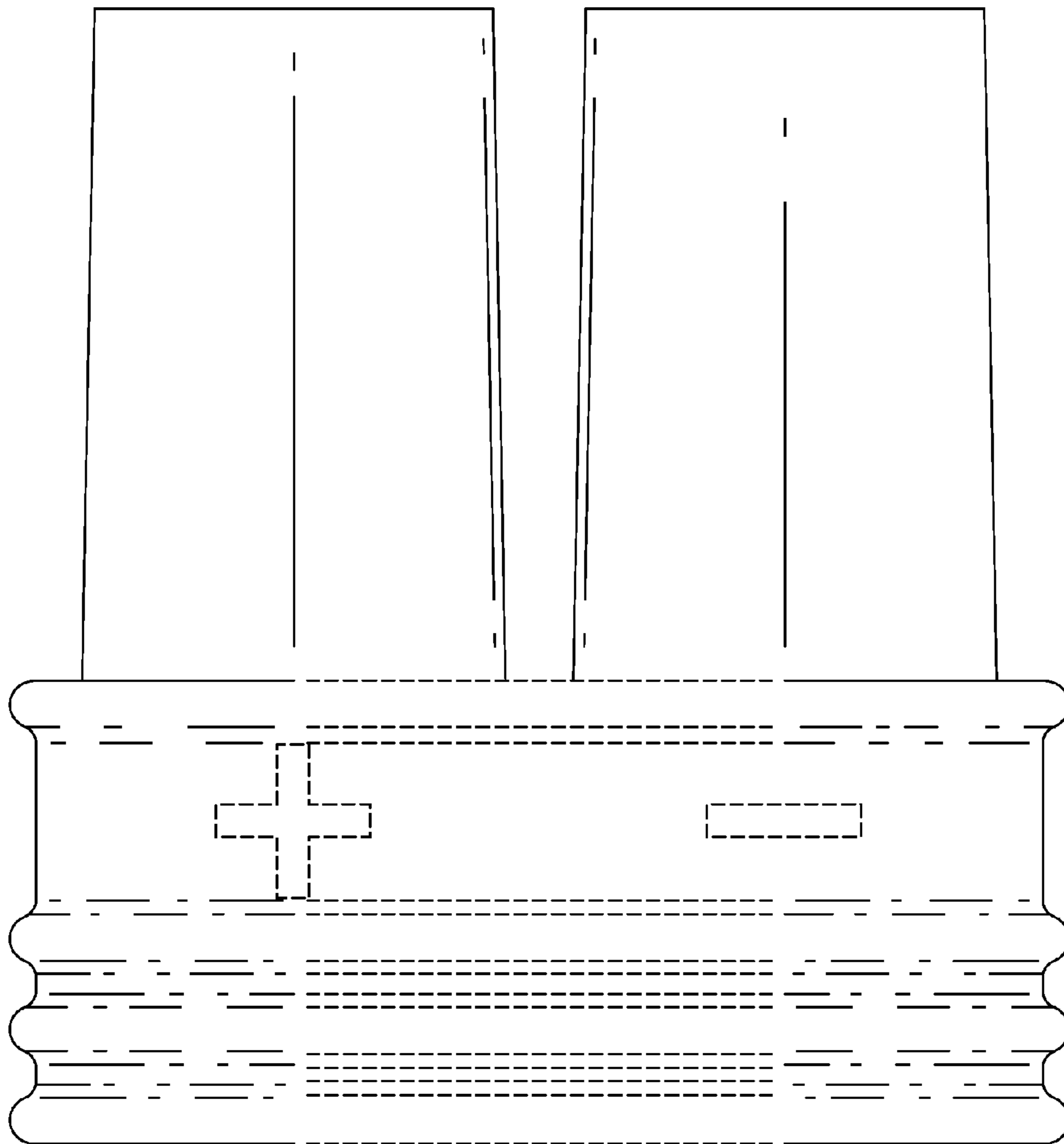


FIG. 3.

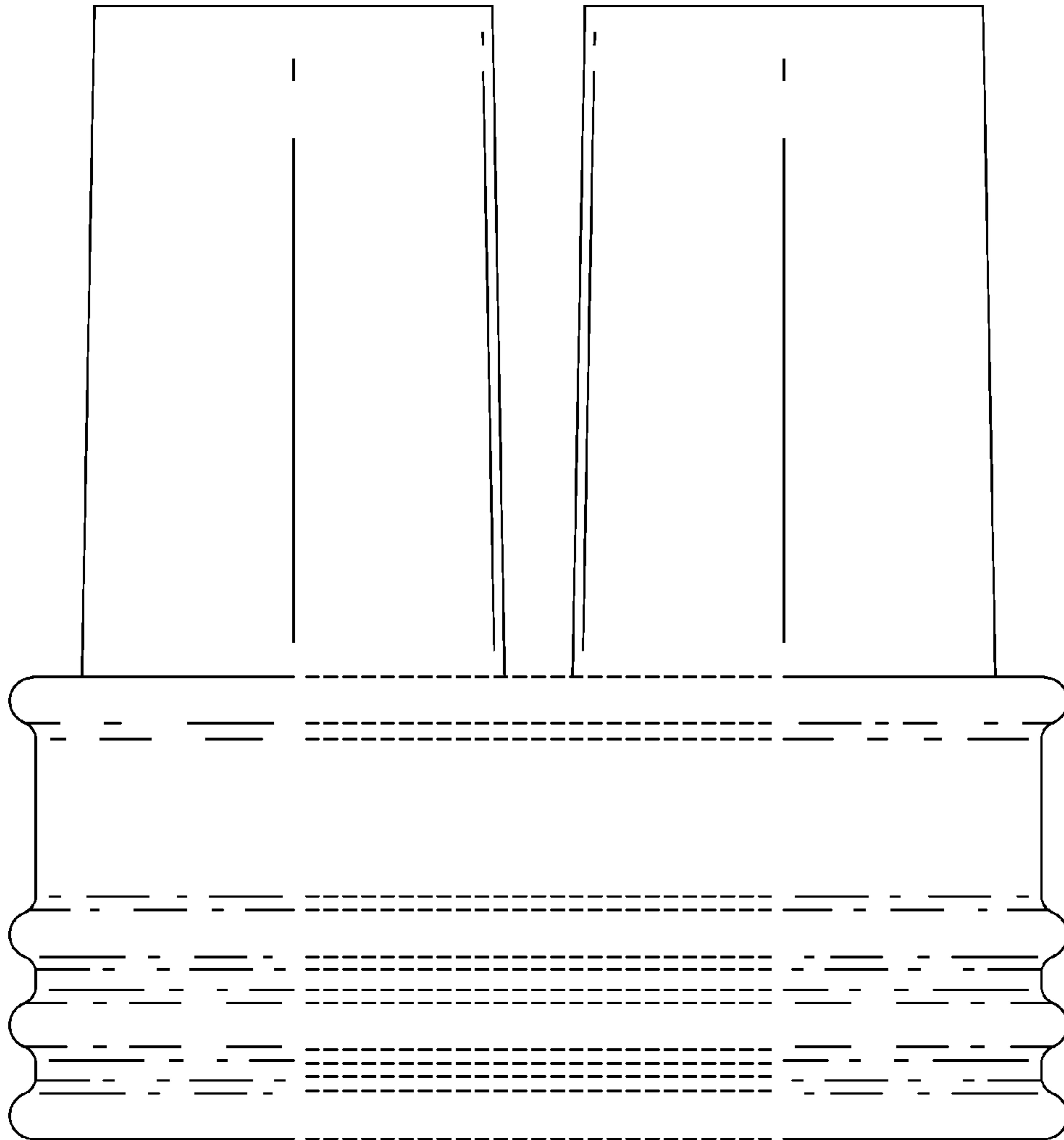


FIG. 4.

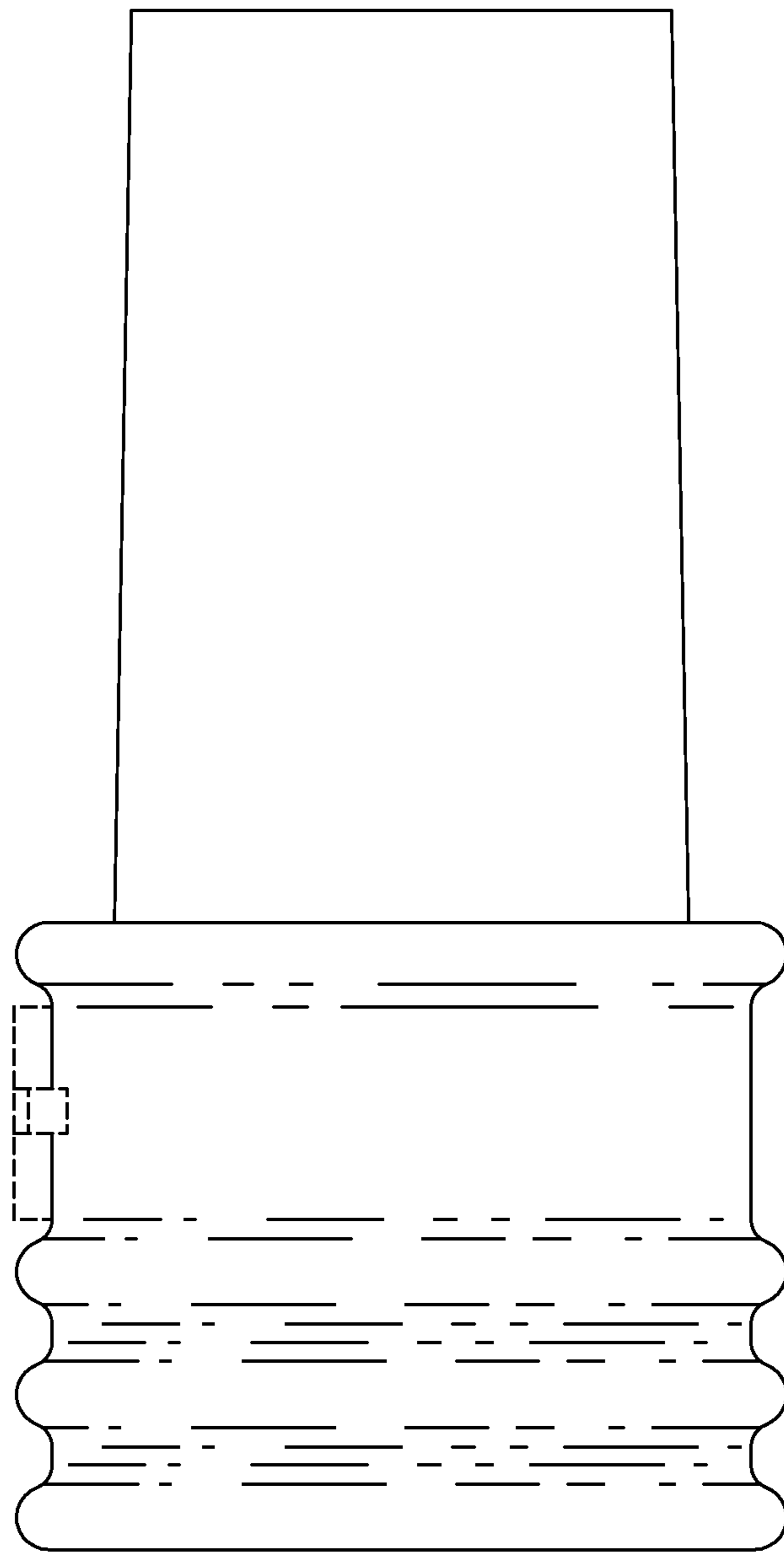


FIG. 5.

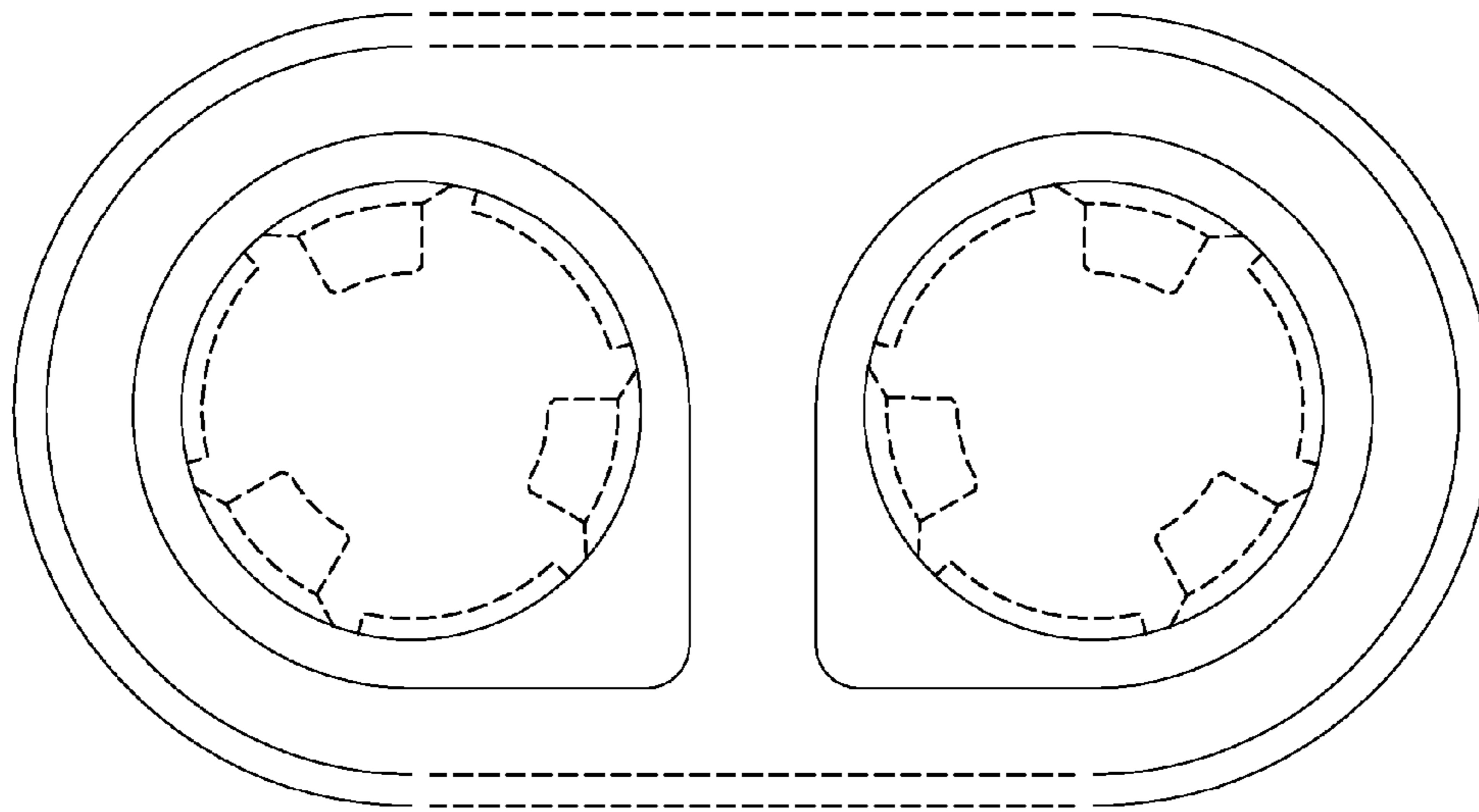


FIG. 6.

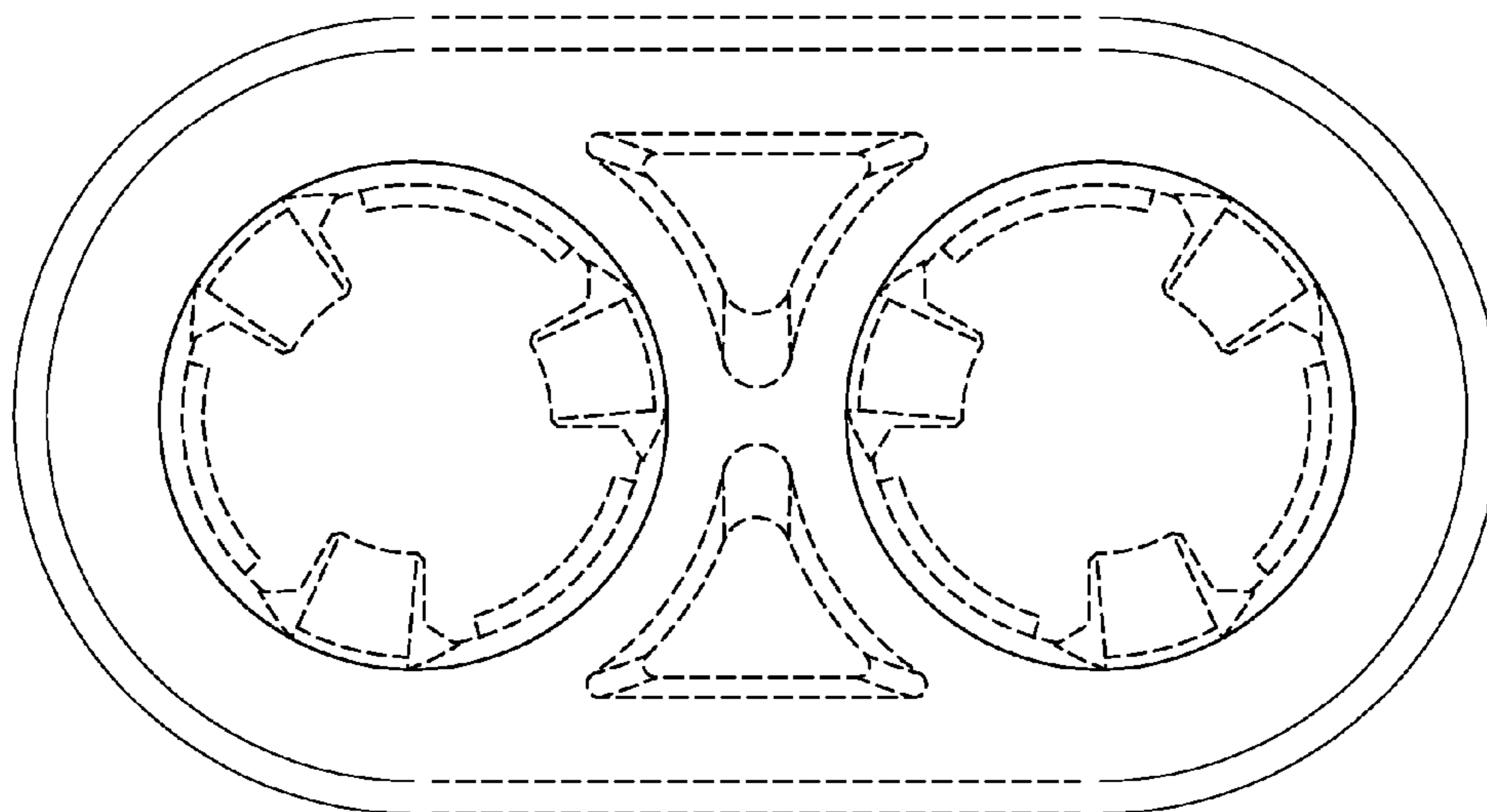


FIG. 7.