



US00D741263S

(12) **United States Design Patent**  
**Yonishi et al.**

(10) **Patent No.:** **US D741,263 S**  
(45) **Date of Patent:** **\*\* Oct. 20, 2015**

(54) **RECHARGEABLE BATTERY**

- (71) Applicant: **Sony Corporation**, Tokyo (JP)
- (72) Inventors: **Kiyoshi Yonishi**, Fukushima (JP);  
**Atsuhiko Kumagai**, Kanagawa (JP)
- (73) Assignee: **Sony Corporation**, Tokyo (JP)
- (\*\*) Term: **14 Years**
- (21) Appl. No.: **29/521,681**
- (22) Filed: **Mar. 25, 2015**

**Related U.S. Application Data**

- (63) Continuation of application No. 29/497,846, filed on Jul. 29, 2014, which is a continuation of application No. 29/462,492, filed on Aug. 5, 2013, now Pat. No. Des. 711,826, which is a continuation of application No. 29/442,045, filed on Nov. 21, 2012, now Pat. No. Des. 687,777.

(30) **Foreign Application Priority Data**

May 24, 2012	(CN)	2012 3 0195617
May 24, 2012	(CN)	2012 3 0195623
Jun. 5, 2012	(JP)	02012-013285
Jun. 5, 2012	(JP)	02012-013287
Jun. 5, 2012	(JP)	02012-013288
Jun. 5, 2012	(JP)	02012-013290
Jun. 5, 2012	(JP)	02012-013291
Jun. 5, 2012	(JP)	02012-013293
Jun. 5, 2012	(JP)	02012-013294
Jun. 5, 2012	(JP)	02012-013297
Jun. 5, 2012	(JP)	02012-013298
Jun. 5, 2012	(JP)	02012-013299
Jun. 5, 2012	(JP)	02012-013300
Jun. 5, 2012	(JP)	02012-013301
Jun. 5, 2012	(JP)	02012-013302
Jun. 5, 2012	(JP)	02012-013303
Jun. 5, 2012	(JP)	02012-013304
Jun. 5, 2012	(JP)	02012-013306
Jun. 5, 2012	(JP)	D2012-013286
Jun. 5, 2012	(JP)	D2012-013289
Jun. 5, 2012	(JP)	D2012-013292
Jun. 5, 2012	(JP)	D2012-013295
Jun. 5, 2012	(JP)	D2012-013296
Jun. 5, 2012	(JP)	D2012-013305

(51) **LOC (10) Cl.** ..... **13-02**

(52) **U.S. Cl.**  
USPC ..... **D13/119**

(58) **Field of Classification Search**  
USPC ..... D13/102-106, 110, 119-121, 184;  
429/96-100, 163, 176  
CPC ..... Y02E 60/12; Y02E 60/122; Y02E 60/124;  
Y02E 60/50; H01M 2/02; H01M 2/022;  
H01M 2/0202; H01M 2/0207; H01M 2/0212;  
H01M 2/1061; H01M 2/1022; H01M 2/1055;  
H01M 2/1066; H01M 2/105; H01M 2/204;  
H01M 10/4257; H01M 10/0436; H01M 10/48  
See application file for complete search history.

(56) **References Cited**

**U.S. PATENT DOCUMENTS**

D277,747 S 2/1985 Toth  
D335,277 S 5/1993 Hattori

(Continued)

**FOREIGN PATENT DOCUMENTS**

JP D1355276 S 4/2009  
JP D1405669 S 1/2011

(Continued)

*Primary Examiner* — Rosemary K Tarca

(74) *Attorney, Agent, or Firm* — Michael Best & Friedrich LLP

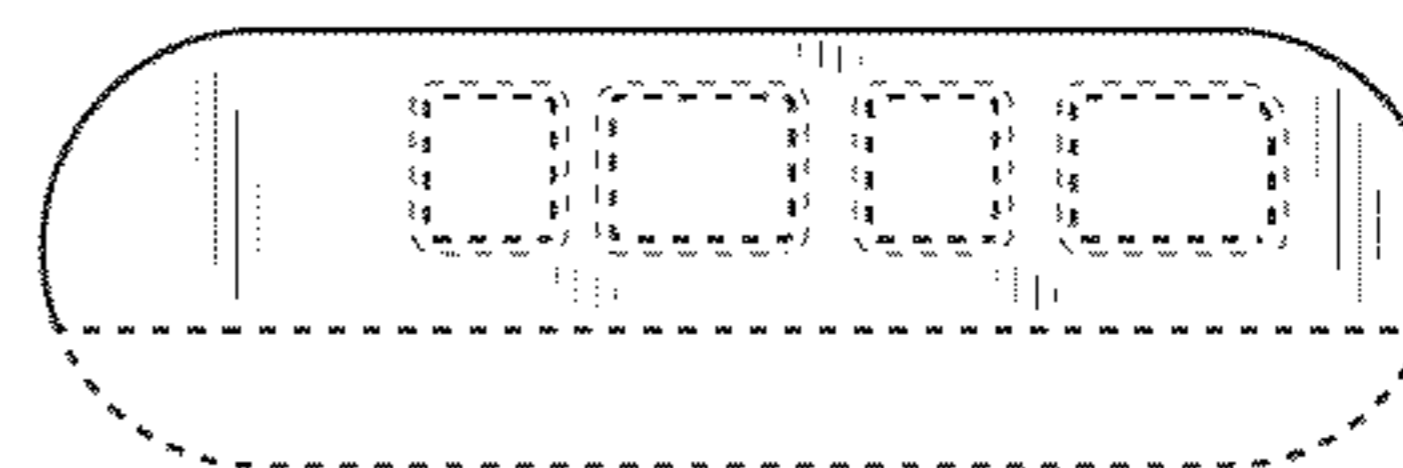
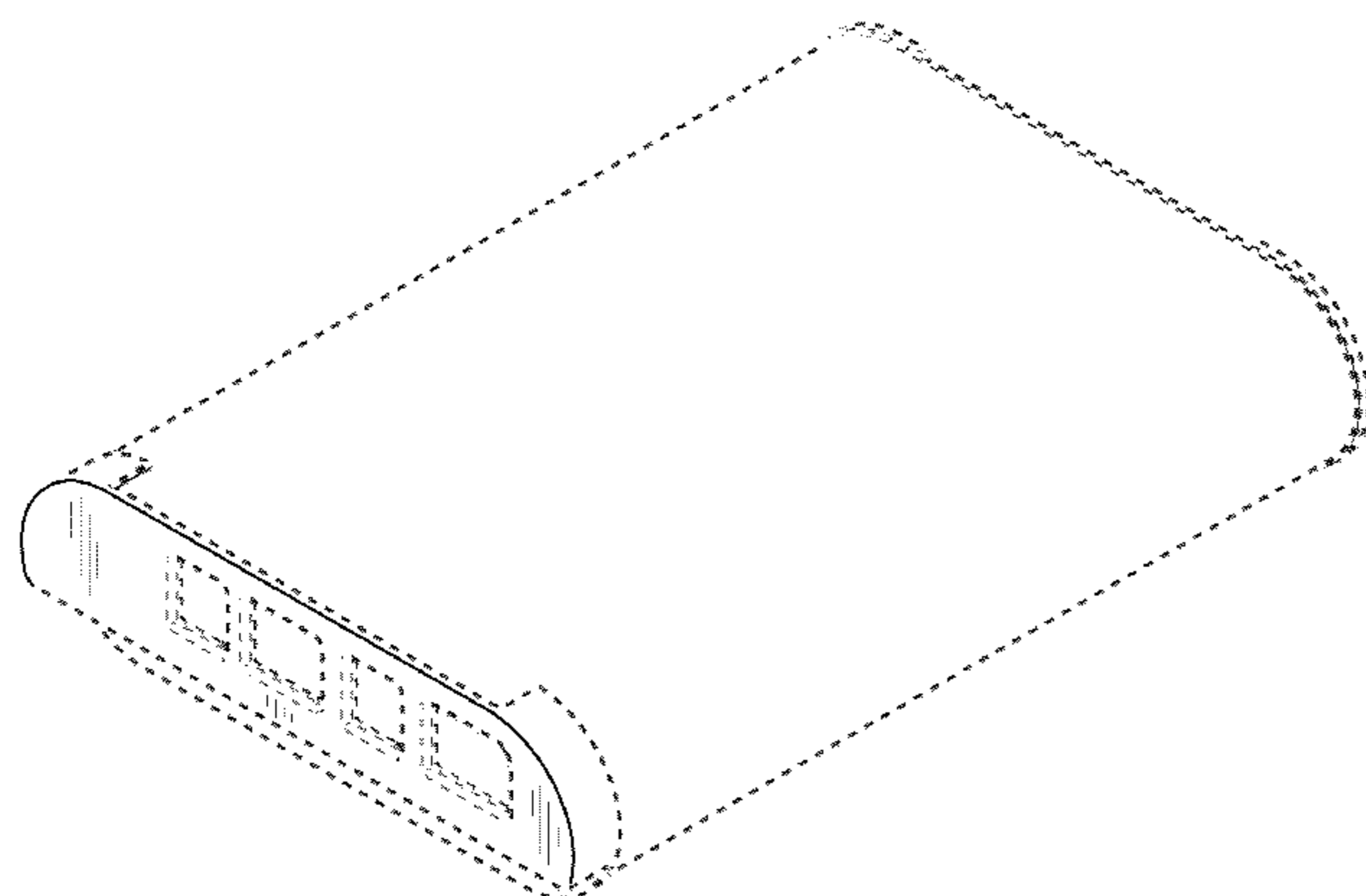
(57) **CLAIM**

The ornamental design for a rechargeable battery, as shown and described.

**DESCRIPTION**

FIG. 1 is a front, top, right perspective view of a rechargeable battery showing our new design;  
FIG. 2 is a front, bottom, left perspective view thereof;  
FIG. 3 is a front elevational view thereof;  
FIG. 4 is a left side elevational view thereof;  
FIG. 5 is a right side elevational view thereof; and,  
FIG. 6 is a top plan view thereof.  
Broken lines illustrate unclaimed portions of the rechargeable battery and form no part of the claimed design.

**1 Claim, 3 Drawing Sheets**



(56)

References Cited

U.S. PATENT DOCUMENTS

D356,291 S 3/1995 Kawamura  
 D362,839 S 10/1995 Tamaki  
 D400,848 S 11/1998 Clark et al.  
 D417,860 S 12/1999 Lau  
 D426,513 S 6/2000 Toops et al.  
 D439,877 S 4/2001 Vacheron et al.  
 6,376,122 B1 4/2002 Cheeseman  
 D473,186 S 4/2003 Grosfeld et al.  
 D478,086 S 8/2003 Chuang  
 D486,789 S 2/2004 Santiago  
 D490,370 S 5/2004 Picardo  
 D506,065 S \* 6/2005 Sugino et al. .... D3/294  
 D509,182 S 9/2005 Takeshita et al.  
 D515,499 S 2/2006 Matsuda et al.  
 D516,018 S 2/2006 Ohsako et al.  
 D516,019 S 2/2006 Ohsako et al.  
 D516,503 S 3/2006 Takeshita et al.  
 D548,181 S 8/2007 Krieger et al.  
 D568,240 S \* 5/2008 Haydvoegel ..... D13/103  
 7,462,417 B2 12/2008 Moon  
 D586,738 S \* 2/2009 Zaremba et al. .... D13/103  
 D586,742 S \* 2/2009 Song ..... D13/103  
 D590,334 S 4/2009 Tatehata et al.  
 D590,335 S 4/2009 Tatehata et al.  
 D590,336 S 4/2009 Tatehata et al.  
 D590,337 S 4/2009 Tatehata et al.  
 D590,341 S 4/2009 Tatehata et al.  
 D590,769 S 4/2009 Tatehata et al.  
 D592,130 S 5/2009 Tatehata et al.  
 D601,494 S 10/2009 Otani et al.

D604,696 S 11/2009 Tasai  
 D608,276 S \* 1/2010 Takeshita et al. .... D13/103  
 D618,171 S 6/2010 Tatehata et al.  
 D619,959 S \* 7/2010 Takeshita et al. .... D13/103  
 D622,213 S 8/2010 Nomi et al.  
 D623,590 S 9/2010 Otani et al.  
 D635,512 S 4/2011 Tatehata et al.  
 7,985,501 B2 7/2011 Kim et al.  
 D642,980 S 8/2011 Inaba  
 7,989,105 B2 8/2011 Suzuki et al.  
 D644,988 S 9/2011 Finney et al.  
 D645,814 S 9/2011 Otani et al.  
 D646,222 S 10/2011 Tatehata et al.  
 D662,473 S 6/2012 Andre et al.  
 D669,427 S 10/2012 Ignor et al.  
 D686,981 S 7/2013 Koyabu et al.  
 D687,777 S 8/2013 Yonishi et al.  
 D701,838 S \* 4/2014 Esses ..... D13/144  
 D710,304 S \* 8/2014 Blomberg et al. .... D13/119  
 2004/0053128 A1 3/2004 Smith et al.  
 2005/0008931 A1 1/2005 Axelrod  
 2006/0281002 A1 12/2006 Aoki et al.  
 2008/0152994 A1 6/2008 Yamagami et al.  
 2008/0305367 A1 12/2008 Baek et al.  
 2011/0250489 A1 10/2011 Baek et al.

FOREIGN PATENT DOCUMENTS

WO DM/063870 S 7/2003  
 WO DM/065508 S 7/2003  
 WO DM/069177 S 9/2007

\* cited by examiner

FIG.1

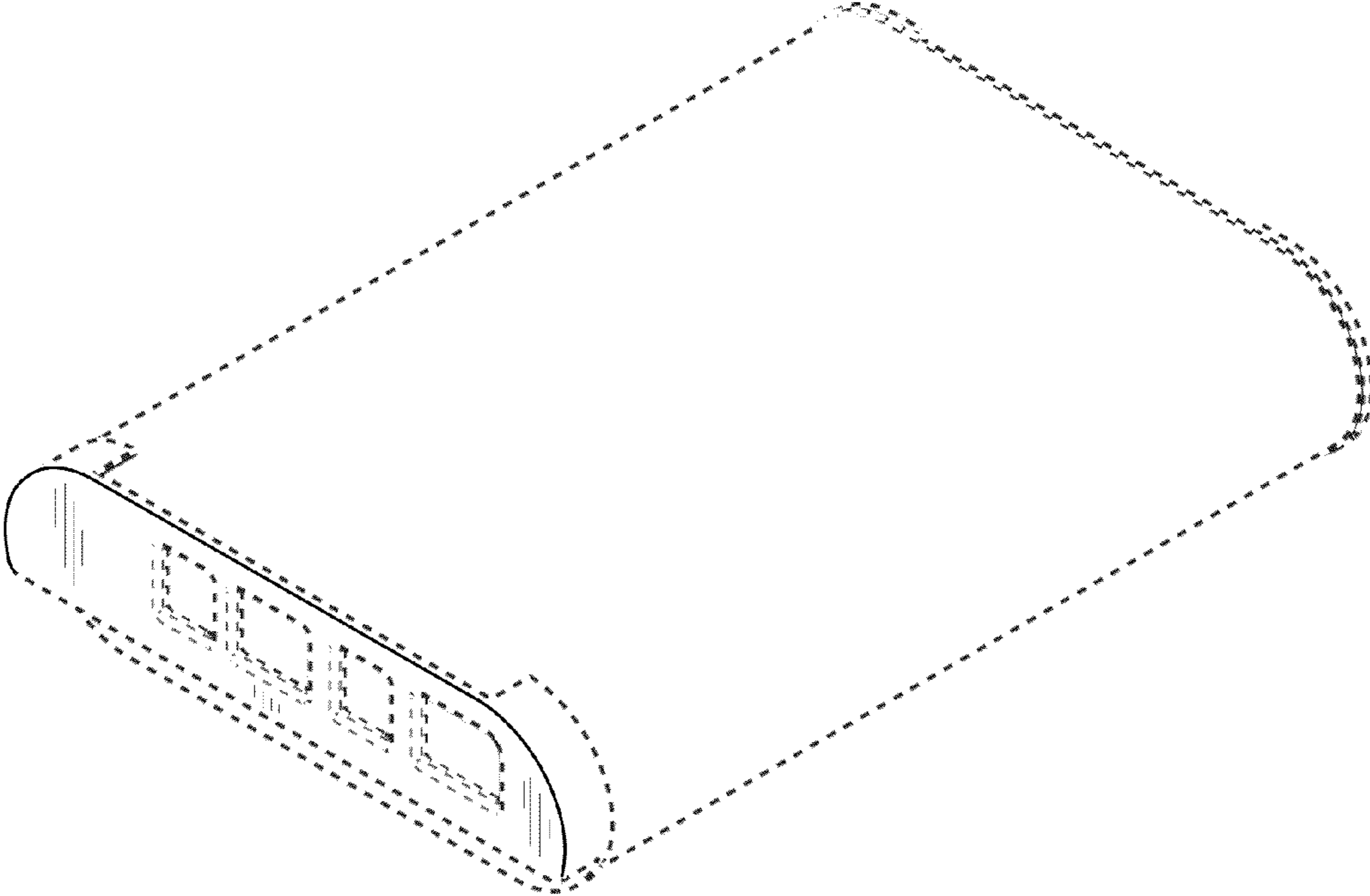


FIG.2

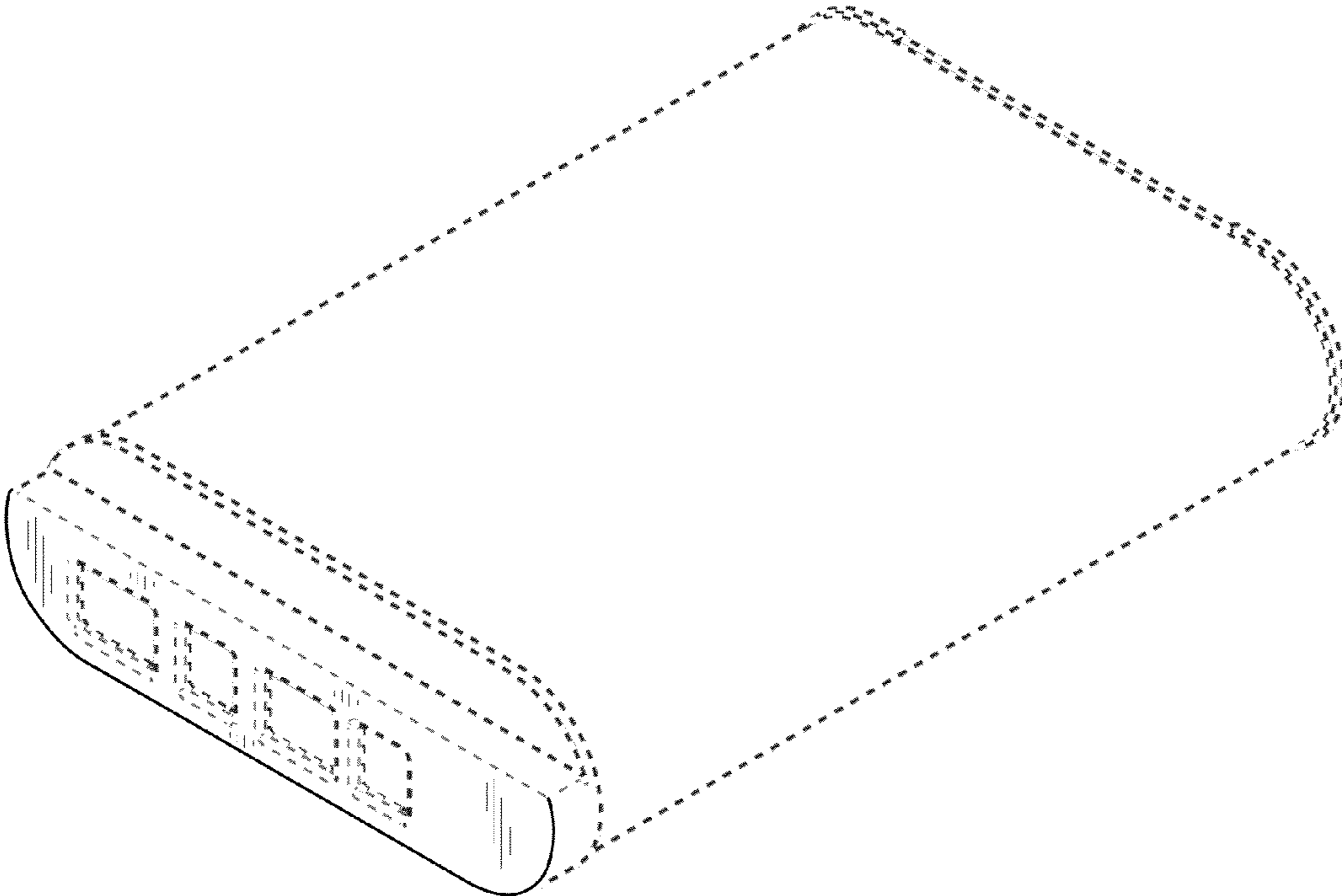


FIG.3

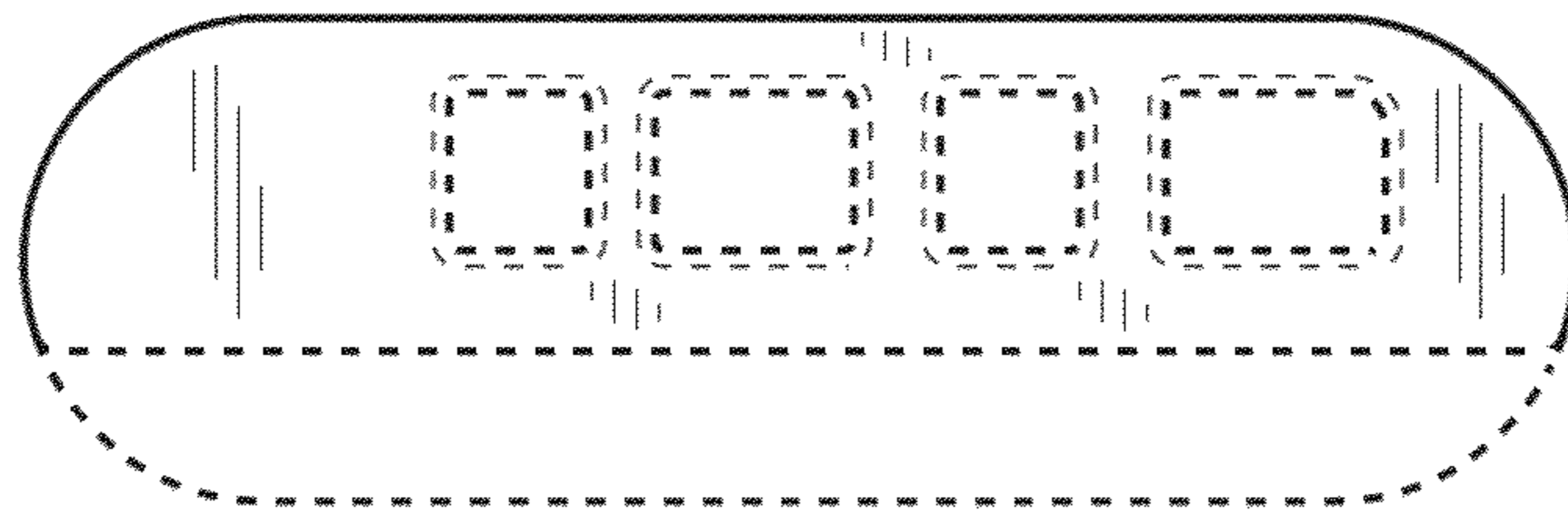


FIG.4

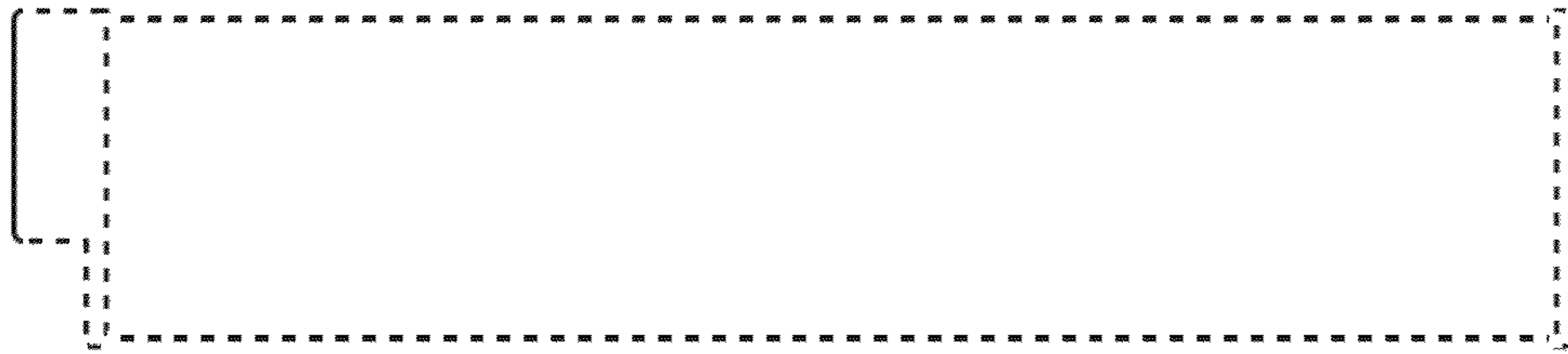


FIG.5



FIG.6

