



US00D741262S

(12) **United States Design Patent**
Medeiros

(10) **Patent No.:** **US D741,262 S**

(45) **Date of Patent:** **** Oct. 20, 2015**

(54) **CARRYING HANDLE FOR BATTERIES**

(71) Applicant: **Mark A. Medeiros**, New Bedford, MA
(US)

(72) Inventor: **Mark A. Medeiros**, New Bedford, MA
(US)

(**) Term: **14 Years**

(21) Appl. No.: **29/476,330**

(22) Filed: **Dec. 12, 2013**

(51) **LOC (10) Cl.** **13-02**

(52) **U.S. Cl.**
USPC **D13/119**

(58) **Field of Classification Search**
USPC D13/119, 106; D9/434; 429/177, 178,
429/187; 294/153, 154, 158; 220/521, 756;
16/110.1, 411, 423, 425, 421, 428
CPC H01M 2/10
See application file for complete search history.

(56) **References Cited**

U.S. PATENT DOCUMENTS

356,532	A *	1/1887	Bogert	276/42
947,575	A *	1/1910	Haschke	429/82
971,876	A *	10/1910	Apple	429/176
1,472,997	A *	11/1923	Stevenson	294/170
1,540,155	A *	6/1925	Wydom et al.	294/170
1,578,105	A *	3/1926	Taylor	294/169
1,753,396	A *	4/1930	Witkowski et al.	294/170
1,908,926	A *	5/1933	Severance	294/92
2,277,976	A *	3/1942	Helmenstine	294/103.1
2,812,206	A *	11/1957	Brunn	452/192
2,951,615	A *	9/1960	Crane	220/754
3,092,520	A *	6/1963	Buskirk et al.	429/187
3,093,515	A *	6/1963	Rector	429/177
3,339,794	A *	9/1967	Radtke et al.	220/760

3,797,876	A *	3/1974	Gummelt	429/187
4,029,248	A *	6/1977	Lee	16/423
4,991,894	A *	2/1991	Rutens	294/170
5,144,719	A *	9/1992	Arthur	16/423
5,283,137	A *	2/1994	Ching	429/175
5,415,956	A *	5/1995	Ching	429/187
5,440,785	A *	8/1995	McDonald	16/423
D362,181	S *	9/1995	Meyers et al.	D9/434
D421,739	S *	3/2000	Arthur	D13/119
D441,651	S *	5/2001	Nygren	D9/434
D467,178	S *	12/2002	Drapeau	D9/455
6,929,882	B1 *	8/2005	Carter	429/187
7,836,556	B1 *	11/2010	Medeiros	16/423
D660,790	S *	5/2012	Elison et al.	D13/106
D726,108	S *	4/2015	Medeiros	D13/119

* cited by examiner

Primary Examiner — Paula Greene

(74) *Attorney, Agent, or Firm* — Donald J. Ersler

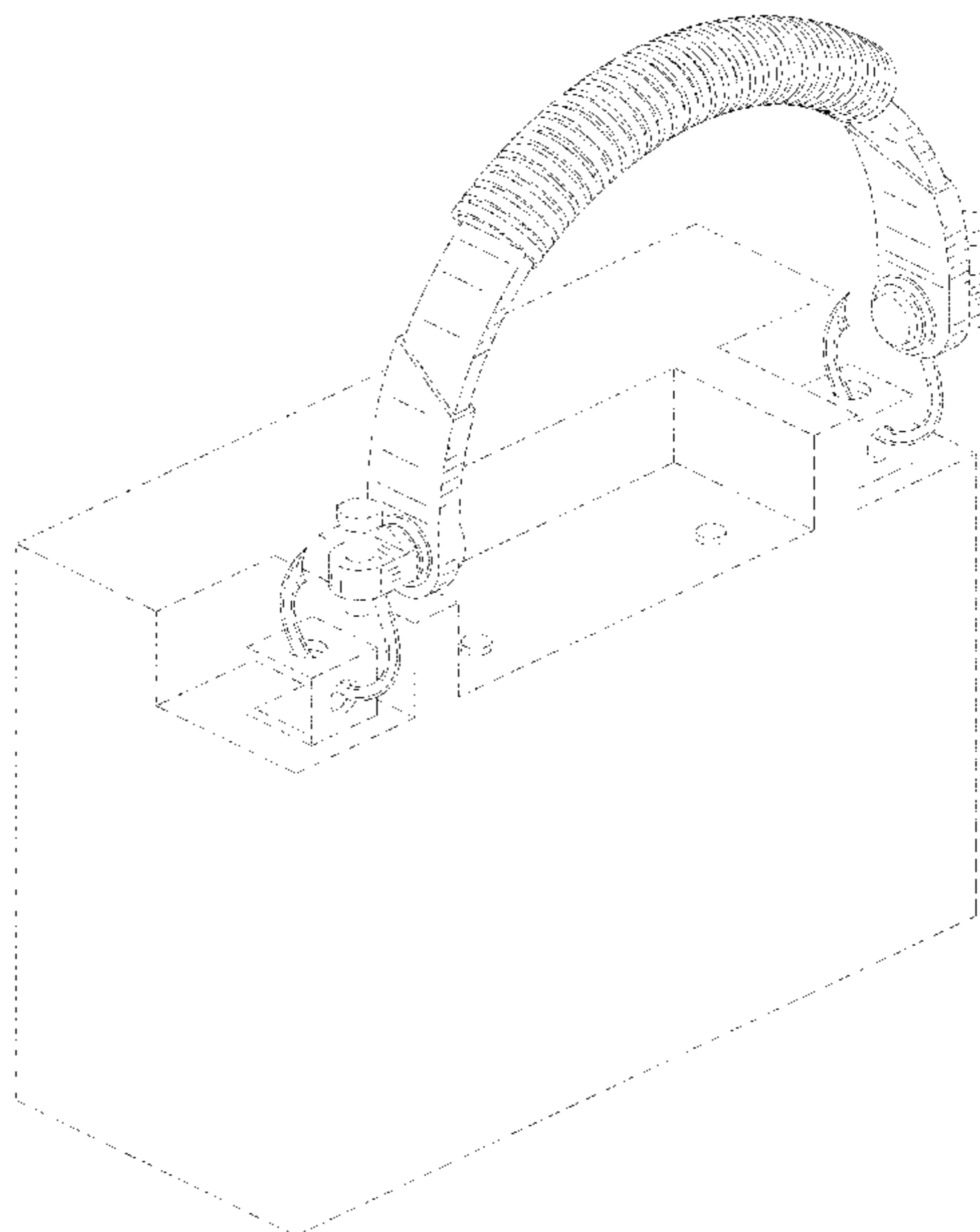
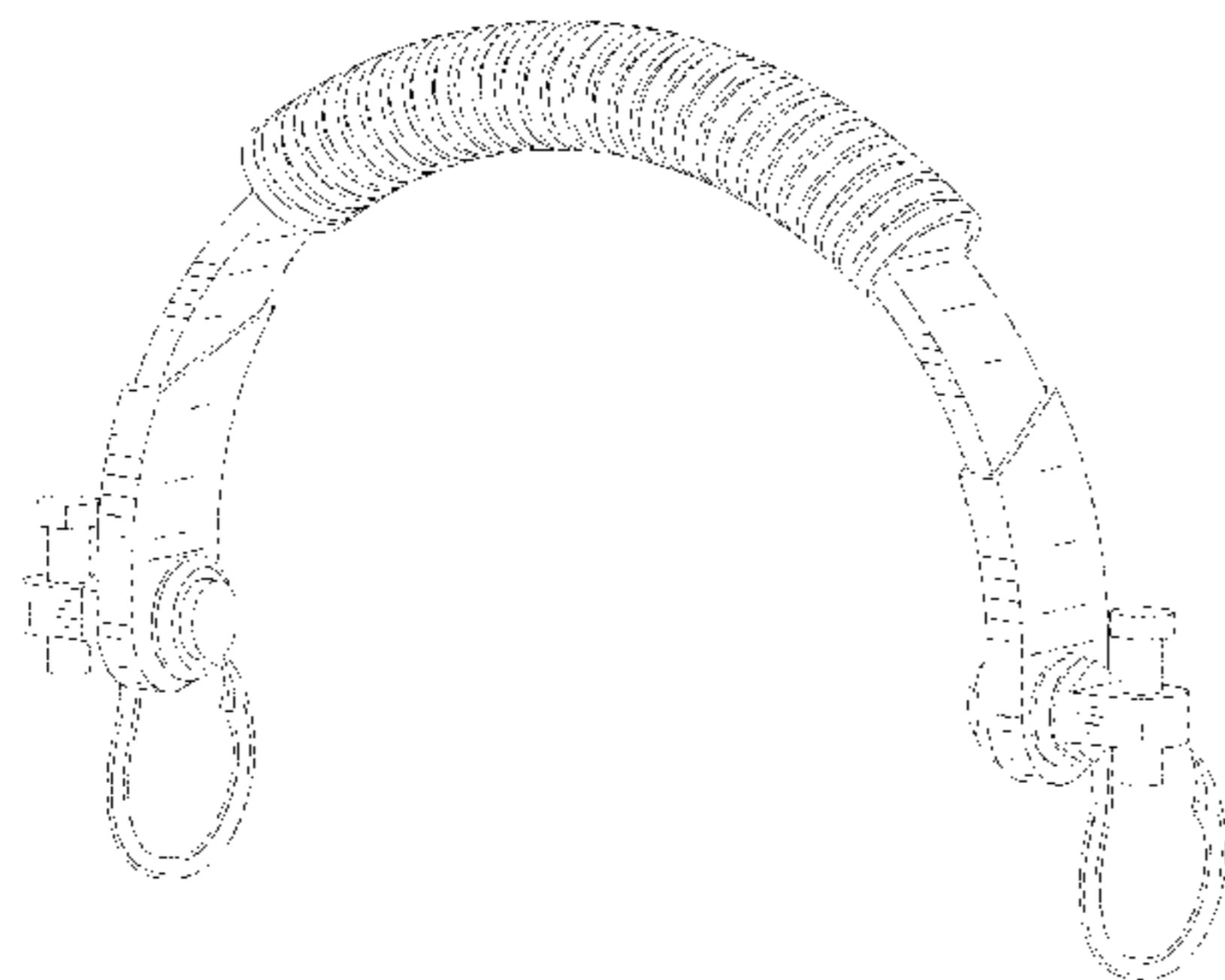
(57) **CLAIM**

The ornamental design for the carrying handle for batteries, as shown and described.

DESCRIPTION

FIG. 1 is a front perspective view of a carrying handle for batteries incorporating my new design;
 FIG. 2 is a rear perspective view thereof;
 FIG. 3 is a front elevation view thereof;
 FIG. 4 is a rear elevation view thereof;
 FIG. 5 is a top plan view thereof;
 FIG. 6 is a bottom plan view thereof;
 FIG. 7 is a left end view thereof; and,
 FIG. 8 is a front perspective view thereof engaged with a battery.
 The dashed lines in FIGS. 1-8 are for illustrative purposes only and form no part of the claimed invention.

1 Claim, 4 Drawing Sheets



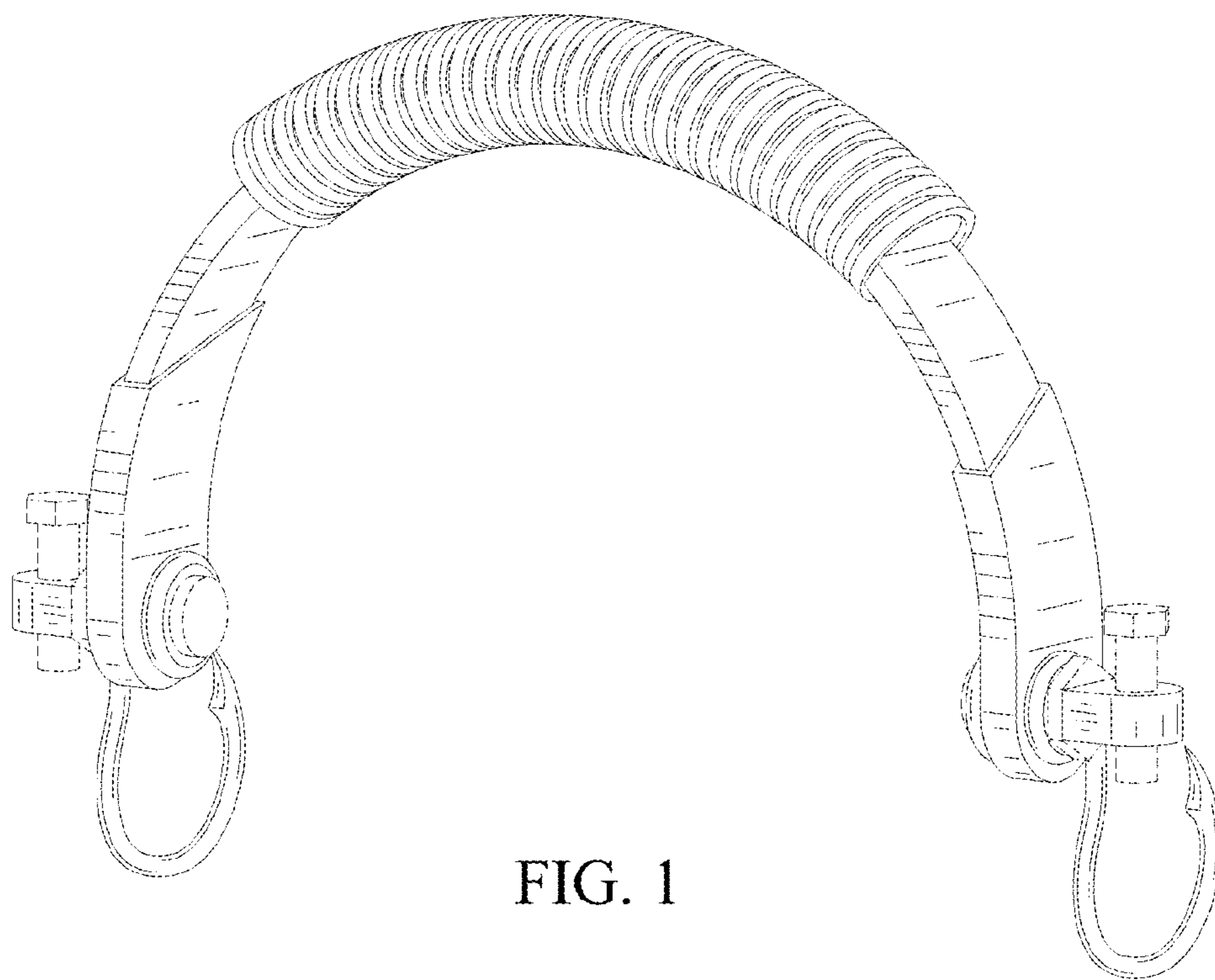


FIG. 1

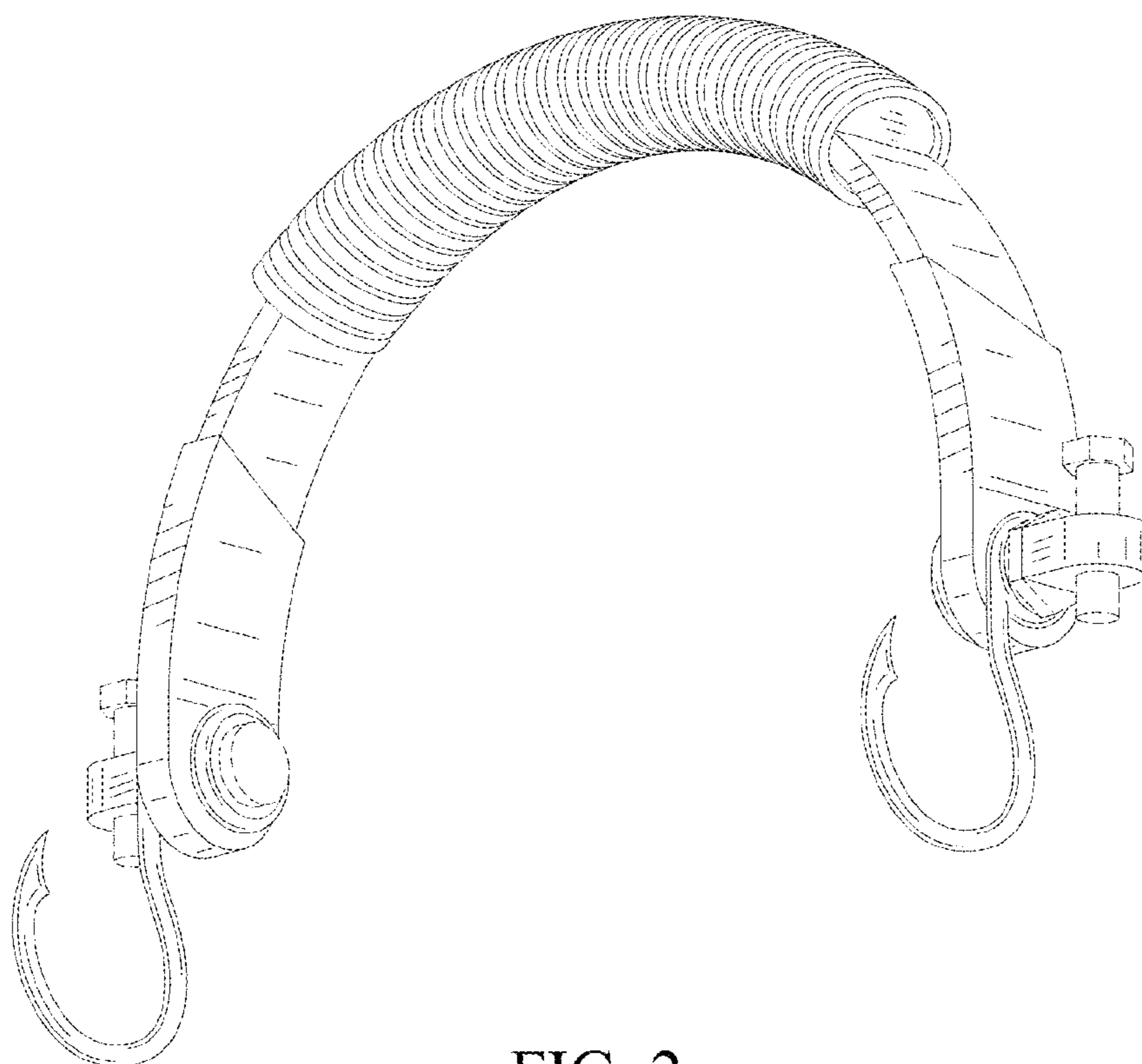


FIG. 2

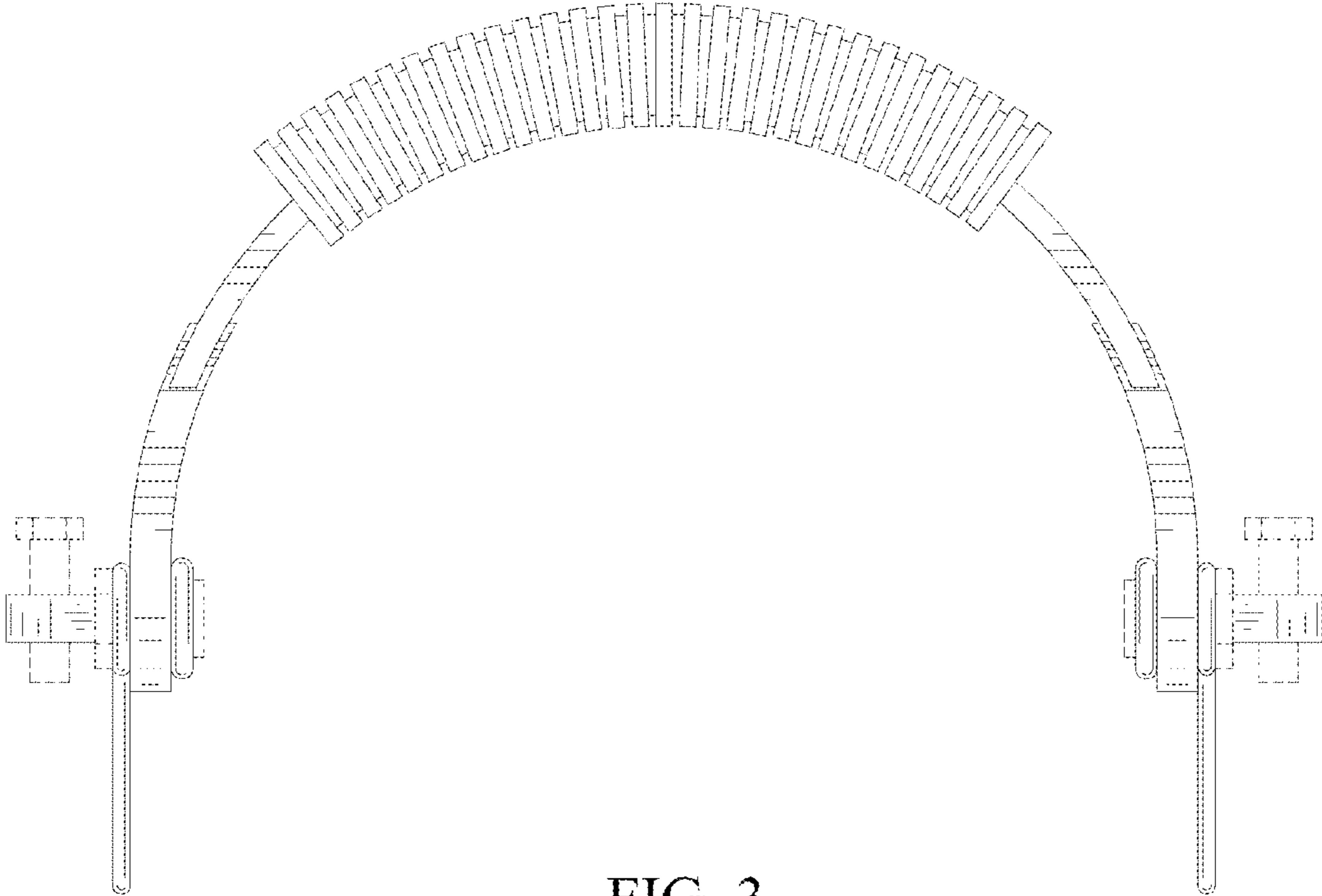


FIG. 3

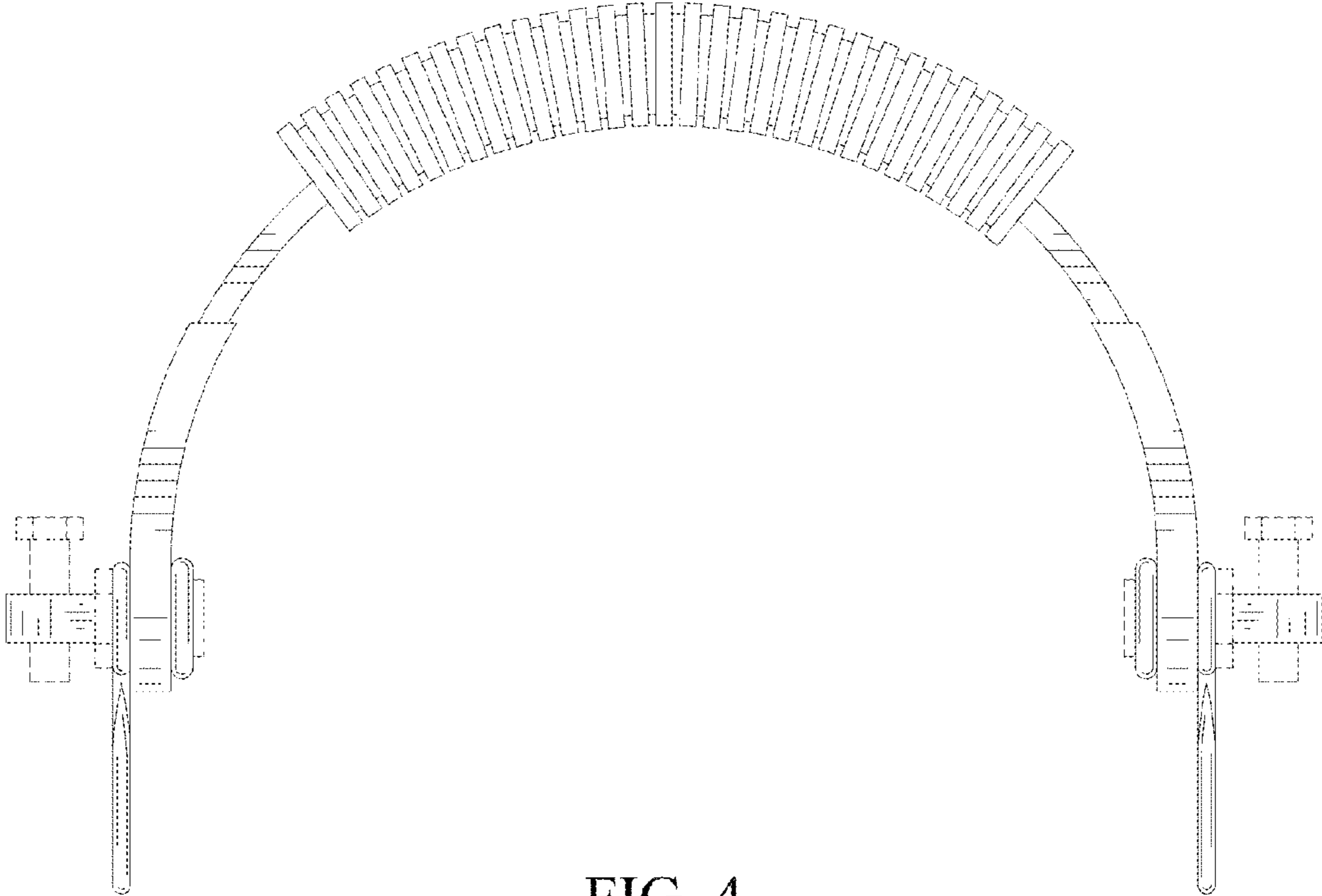


FIG. 4

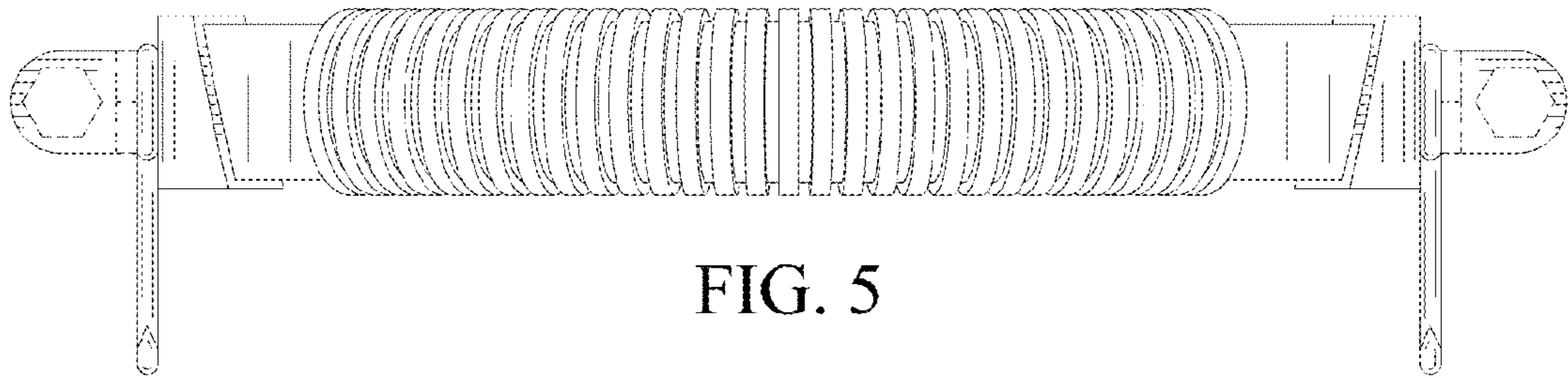


FIG. 5

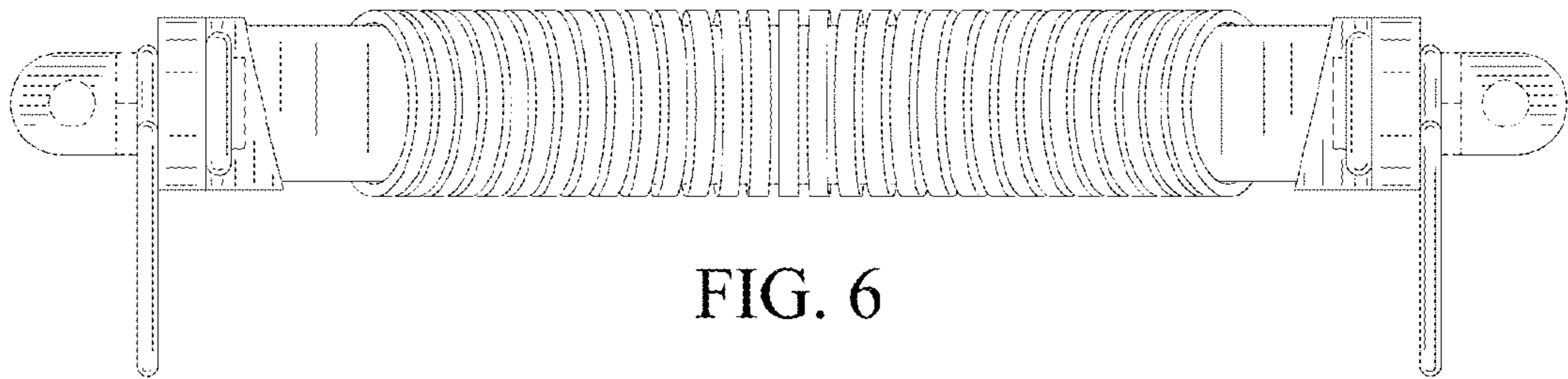


FIG. 6

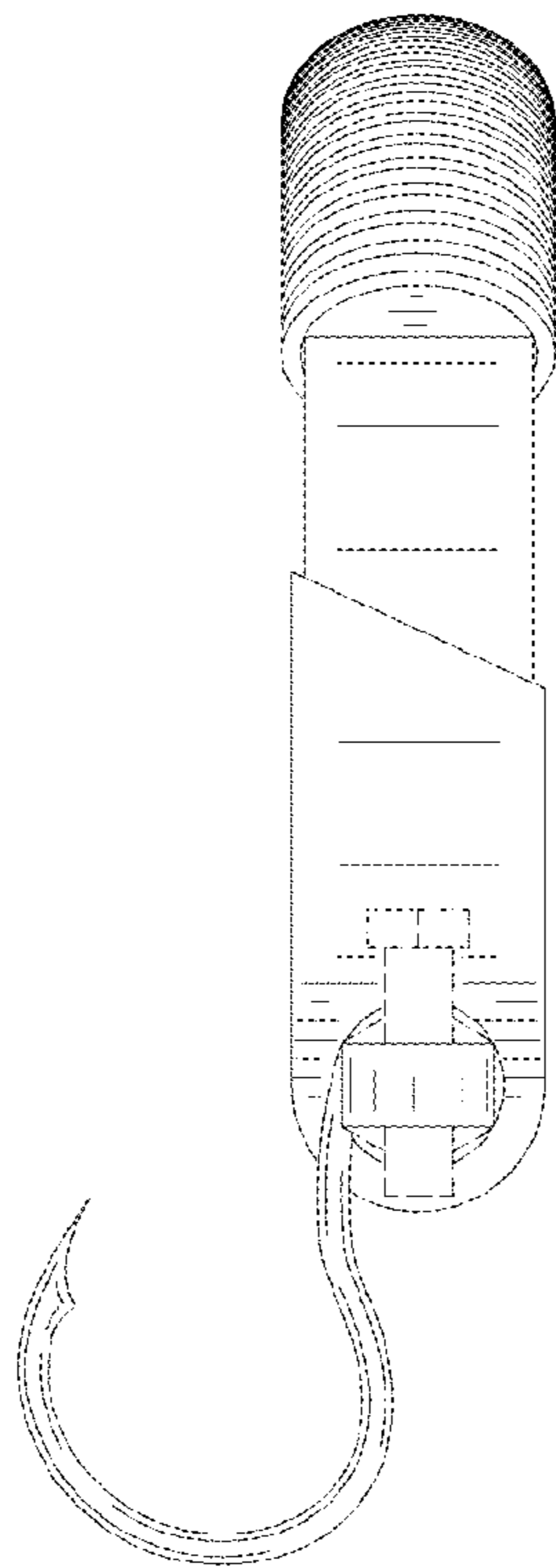


FIG. 7

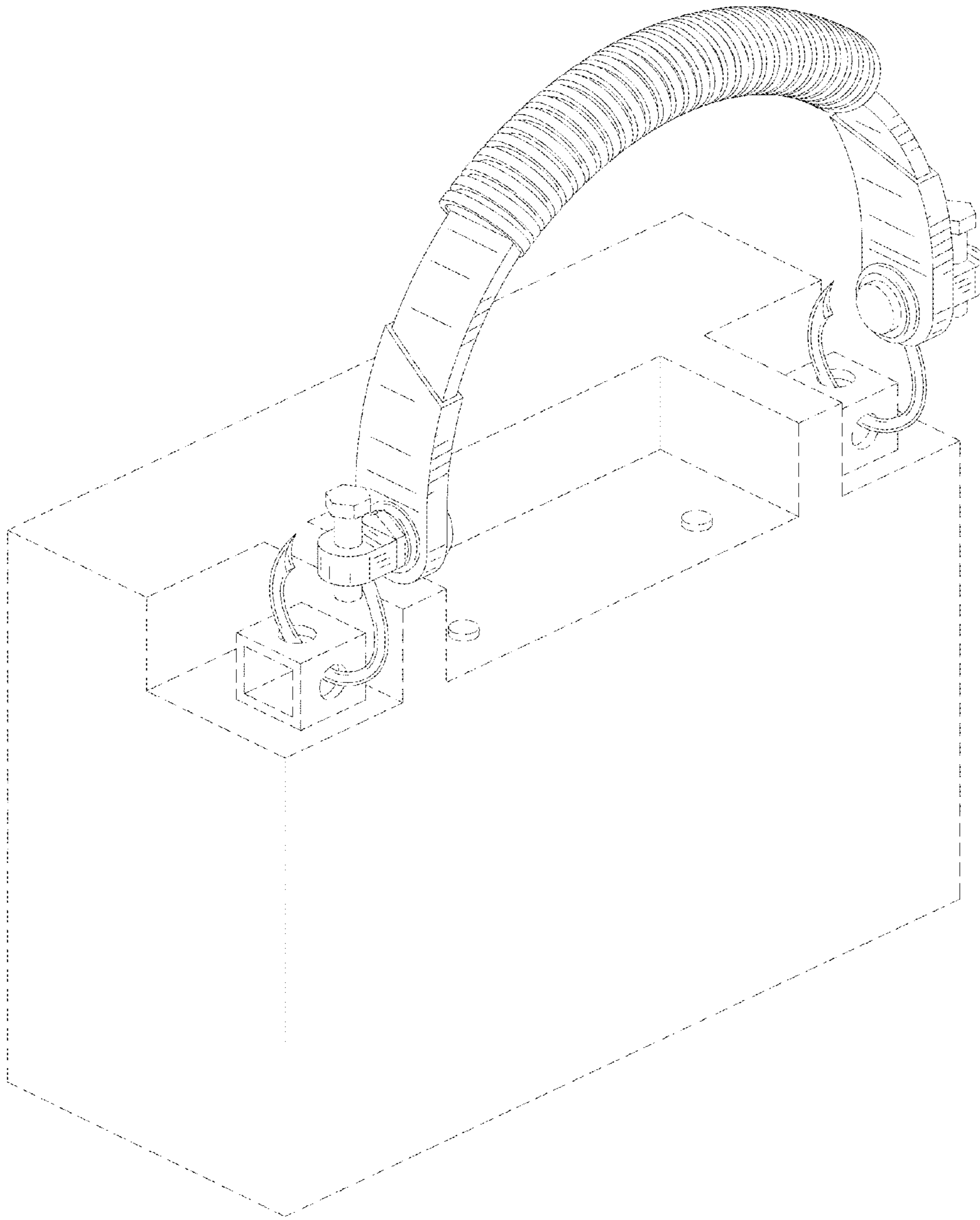


FIG. 8