



US00D741261S

(12) **United States Design Patent**
Shishikura et al.

(10) **Patent No.:** **US D741,261 S**
(45) **Date of Patent:** **** Oct. 20, 2015**

(54) **INDUCTOR**

(71) Applicant: **TOKO, Inc.**, Saitama (JP)

(72) Inventors: **Hiroshi Shishikura**, Tsurugashima (JP);
Masaaki Totsuka, Tsurugashima (JP);
Kunio Sasamori, Tsurugashima (JP)

(73) Assignee: **Toko, Inc.**, Saitama (JP)

(**) Term: **14 Years**

(21) Appl. No.: **29/497,124**

(22) Filed: **Jul. 21, 2014**

Related U.S. Application Data

(62) Division of application No. 29/425,678, filed on Jun. 26, 2012, now Pat. No. Des. 719,509.

(30) **Foreign Application Priority Data**

Dec. 28, 2011 (JP) 2011-030449
Dec. 28, 2011 (JP) 2011-030453
Dec. 28, 2011 (JP) 2011-030455
Mar. 23, 2012 (JP) 2012-006544

(51) **LOC (10) Cl.** **13-03**

(52) **U.S. Cl.**
USPC **D13/117**

(58) **Field of Classification Search**
USPC D13/117, 182, 184, 199; 336/15, 65,
336/83, 98, 192, 210, 222, 229
CPC ... H01F 27/292; H01F 27/2804; H01F 27/29;
H01F 27/306; H01F 17/0013; H01F 27/325;
H01F 27/06; H01F 27/263; H01F 5/04;
H01F 17/045; H01F 2017/048; H01F 3/14;
H01F 17/0033; H01F 17/04; H01F 41/02;
H01F 41/0246; H01F 27/022; H01F 27/245;
H01F 41/0687; H01F 5/06; H01F 17/06;
H01F 19/04; H01F 1/12; H01F 1/14766;
H01F 1/22; H01F 1/26; H01F 2003/106;
H01F 2007/062; H01F 2017/0073; H01F
2027/297; H01F 2027/408; H01F 2038/026;
H01F 27/025; H01F 27/04; H01F 27/085;

H01F 27/22; H01F 27/2455; H01F 27/26;
H01F 27/266; H01F 27/28; H01F 27/2852;
H01F 27/2876; H01F 27/2895; H01F 27/30;
H01F 27/303

See application file for complete search history.

(56) **References Cited**

U.S. PATENT DOCUMENTS

5,751,204 A 5/1998 Chen
D471,166 S 3/2003 Oshio et al.
6,710,692 B2 3/2004 Kato et al.
D489,338 S 5/2004 Seddon et al.
6,914,506 B2 7/2005 Gallup et al.
D586,767 S 2/2009 Guerrero et al.
D594,820 S 6/2009 Furuya
D616,388 S * 5/2010 Guerrero et al. D13/182
7,940,153 B2 5/2011 Watanabe
8,310,332 B2 11/2012 Yan et al.
D703,617 S * 4/2014 Janky et al. D13/154
D719,509 S * 12/2014 Shishikura et al. D13/117
D722,298 S * 2/2015 Saito et al. D13/182
2014/0062636 A1 3/2014 Yang et al.

* cited by examiner

Primary Examiner — Daniel Bui

Assistant Examiner — Khawaja Anwar

(74) *Attorney, Agent, or Firm* — RatnerPrestia

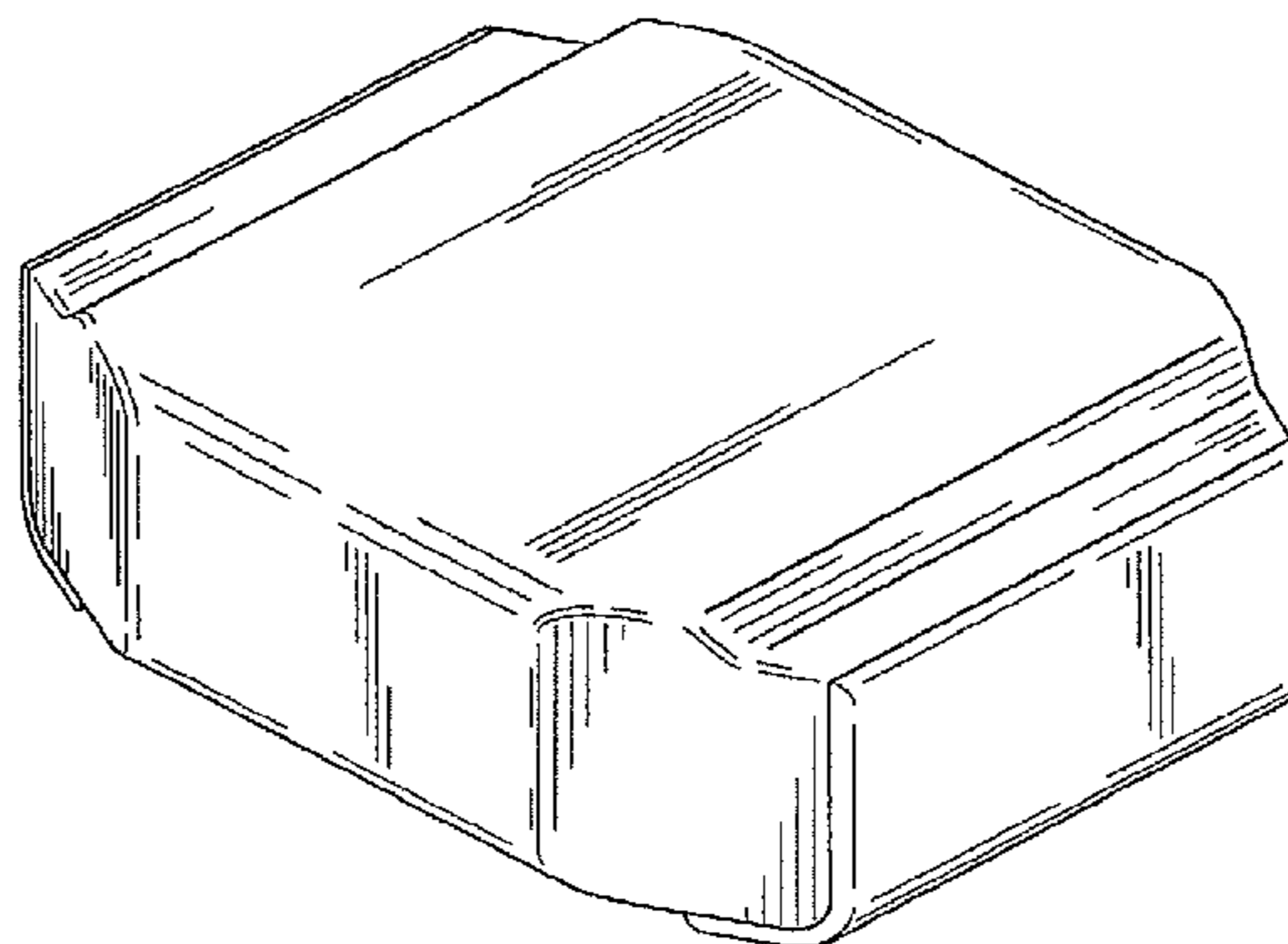
(57) **CLAIM**

The ornamental design for an inductor, as shown and described.

DESCRIPTION

FIG. 1 is a front, top and right side perspective view of an inductor showing our new design;
FIG. 2 is a front elevation view thereof, a rear elevation view being a mirror image thereto;
FIG. 3 is a right side elevation view thereof, a left side elevation view being a mirror image thereto;
FIG. 4 is a top plan view thereof; and,
FIG. 5 is a bottom plan view thereof.

1 Claim, 3 Drawing Sheets



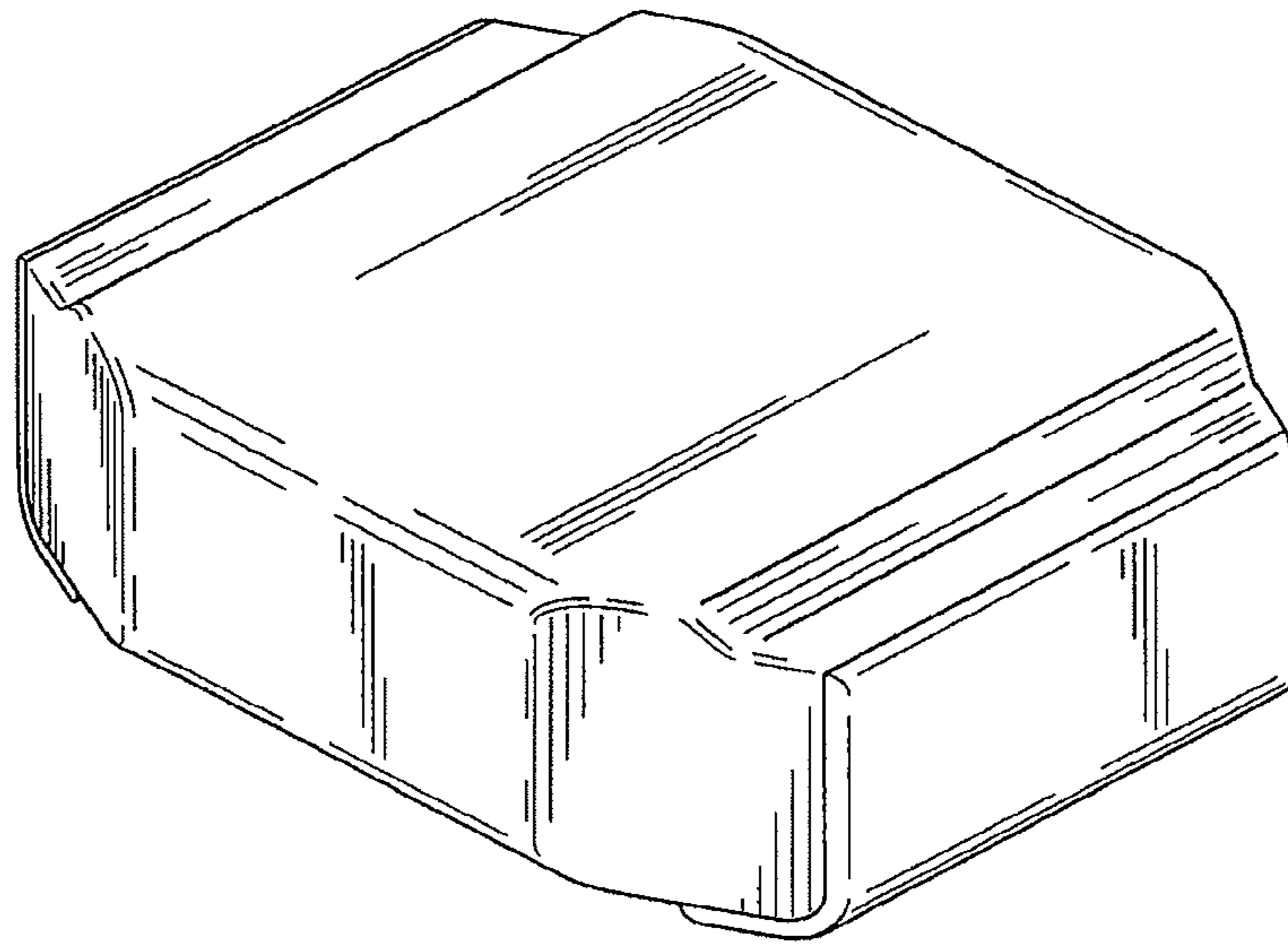


FIG. 1

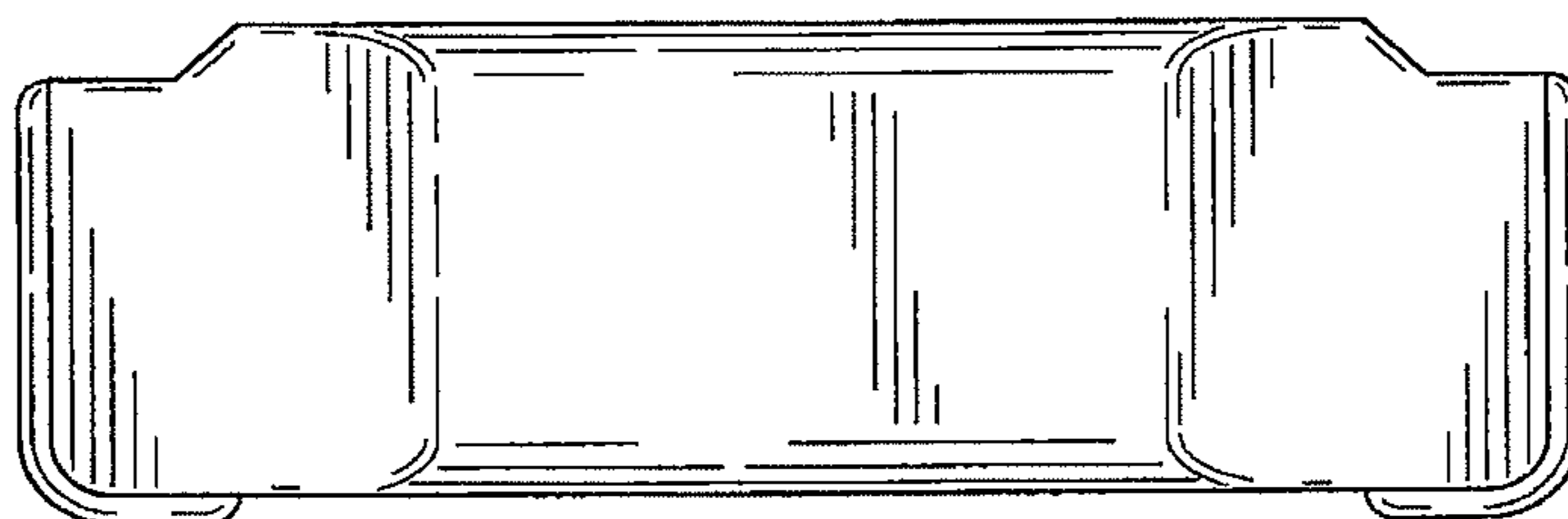


FIG. 2

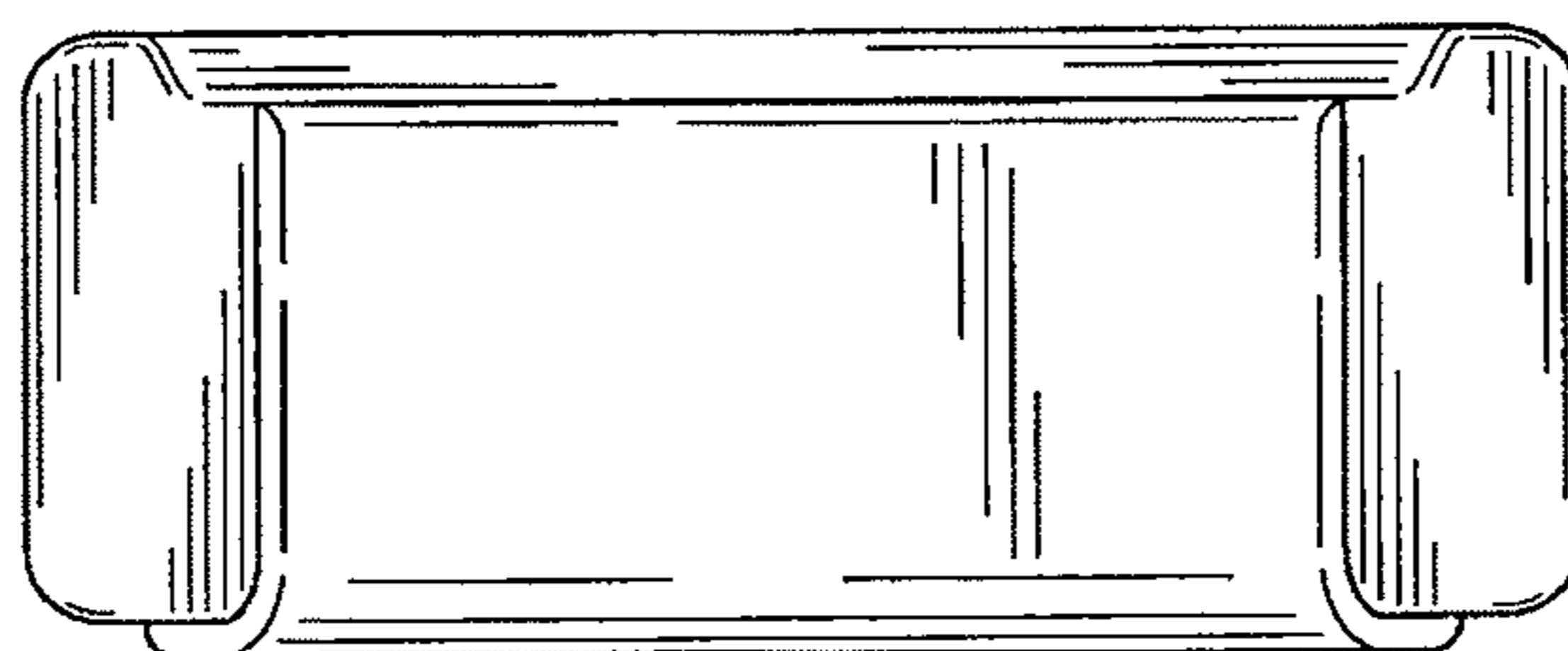


FIG. 3

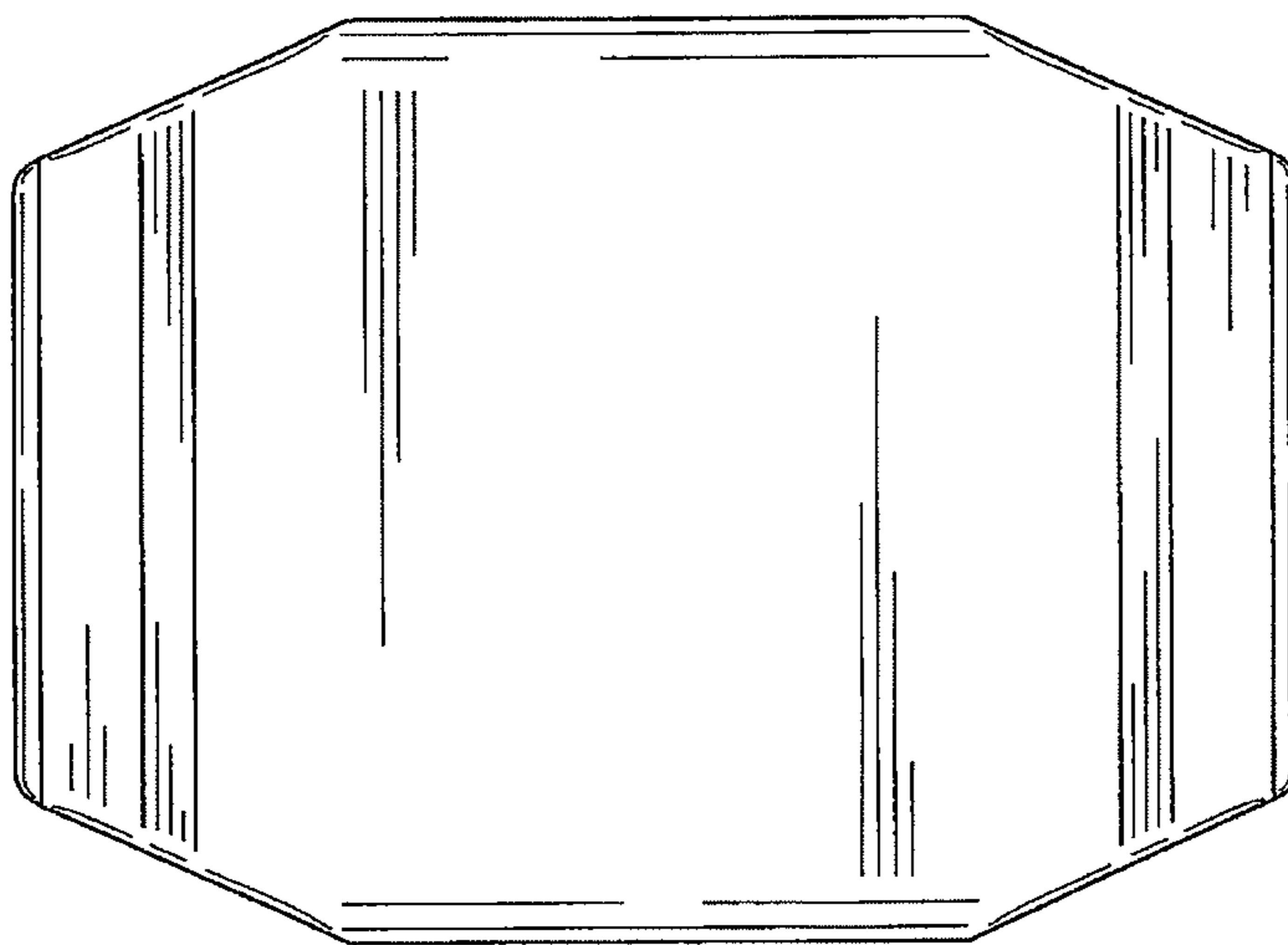


FIG. 4

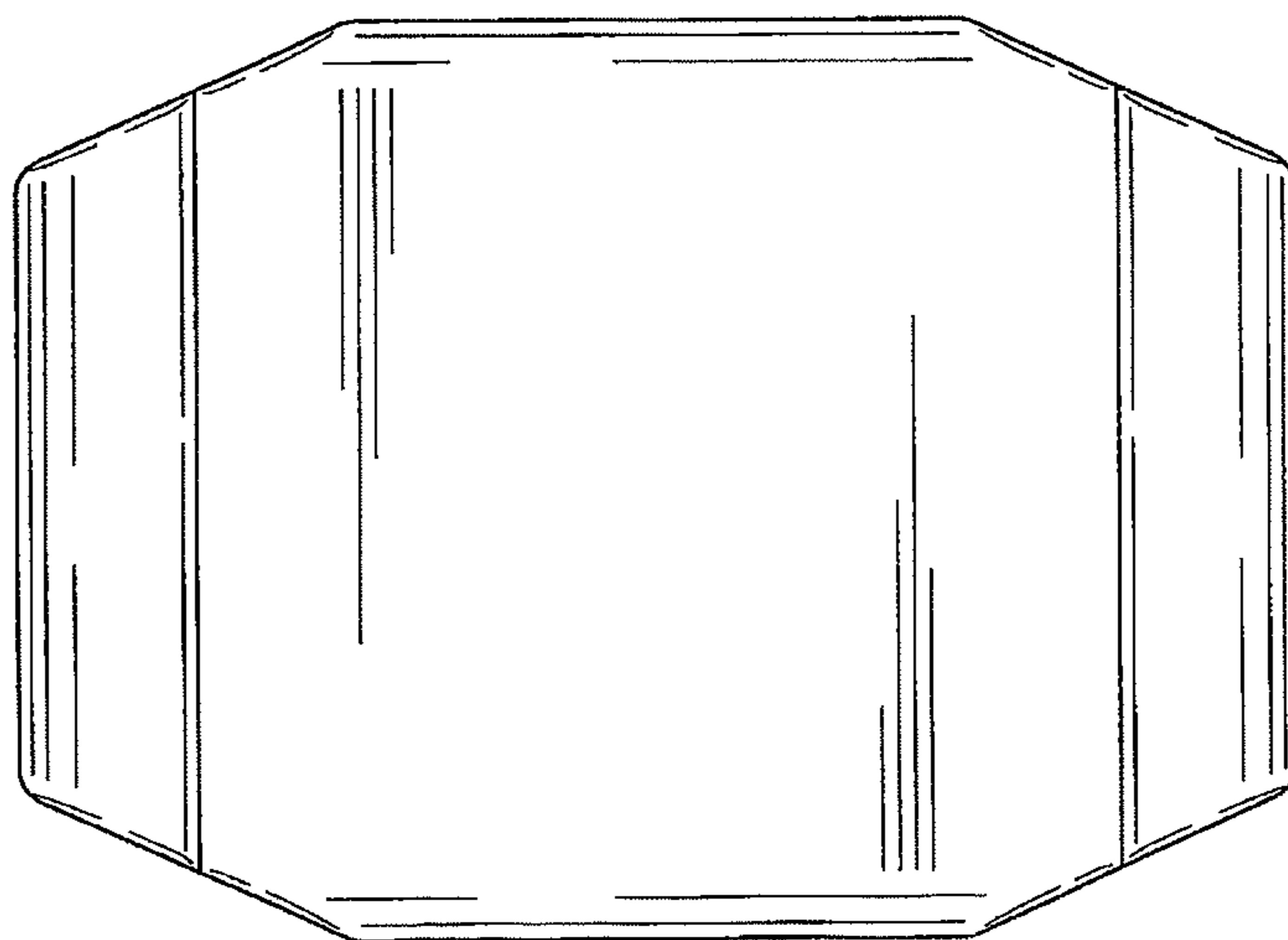


FIG. 5