



US00D741260S

(12) **United States Design Patent**
Yabuuchi et al.

(10) **Patent No.:** **US D741,260 S**

(45) **Date of Patent:** **** Oct. 20, 2015**

(54) **MOTOR**

(71) Applicant: **mitsubishi electric CORPORATION**, Chiyoda-ku, Tokyo (JP)

(72) Inventors: **Hironori Yabuuchi**, Chiyoda-Ku (JP);
Yukihiko Kawanori, Chiyoda-Ku (JP);
Shinji Kobayashi, Chiyoda-Ku (JP)

(73) Assignee: **Mitsubishi Electric Corporation**, Tokyo (JP)

(**) Term: **14 Years**

(21) Appl. No.: **29/461,056**

(22) Filed: **Jul. 18, 2013**

(30) **Foreign Application Priority Data**

Apr. 16, 2013 (JP) 2013-008517

(51) **LOC (10) Cl.** **13-01**

(52) **U.S. Cl.**
USPC **D13/112**

(58) **Field of Classification Search**
USPC D23/370–385, 411–414, 365, 364;
415/60, 66, 68, 208.1, 213.1, 214.1;
310/257, 89; 361/695; 126/299 D,
126/299 R; D26/51, 72, 73; D32/15, 16;
416/189; D13/179, 112–114, 122, 199;
D15/3, 5
CPC H02K 5/22; H02K 5/04
See application file for complete search history.

(56) **References Cited**

U.S. PATENT DOCUMENTS

D234,429 S * 3/1975 Herschberger D13/122
4,093,897 A * 6/1978 Fujita et al. 318/400.04

D258,056 S * 1/1981 McKinnon et al. D13/112
D450,378 S * 11/2001 Minakuchi et al. D23/370
D489,441 S * 5/2004 Wagner D23/370
D547,436 S * 7/2007 Shurtleff et al. D23/411
D633,867 S * 3/2011 Sasaki et al. D13/112
D673,911 S * 1/2013 Tanabe et al. D13/112
D680,071 S * 4/2013 Tanabe et al. D13/112
D709,450 S * 7/2014 Tanabe et al. D13/112
D709,451 S * 7/2014 Tanabe et al. D13/112
D710,801 S * 8/2014 Tanaka et al. D13/112
D722,560 S * 2/2015 Lau et al. D13/112
2013/0089442 A1* 4/2013 Lu et al. 417/410.1
2014/0097716 A1* 4/2014 Yamamoto et al. 310/89

* cited by examiner

Primary Examiner — Susan Bennett Hattan

Assistant Examiner — Janice Hallmark

(74) *Attorney, Agent, or Firm* — Sughrue Mion, PLLC;
Richard C. Turner

(57) **CLAIM**

The ornamental design for a motor, as shown and described.

DESCRIPTION

FIG. 1 is a bottom, front and right side perspective view of a motor, showing our new design;
FIG. 2 is a front elevational view thereof;
FIG. 3 is a rear elevational view thereof;
FIG. 4 is a left side elevational view thereof;
FIG. 5 is a right side elevational view thereof;
FIG. 6 is a top plan view thereof;
FIG. 7 is a bottom plan view thereof; and,
FIG. 8 is a reference cross-sectional view thereof; taken along line 8-8 of FIG. 2, the broken line disclosure of internal elements being understood to be part of the article in which the claimed design is embodied, but which forms no part of the claimed design.

1 Claim, 8 Drawing Sheets

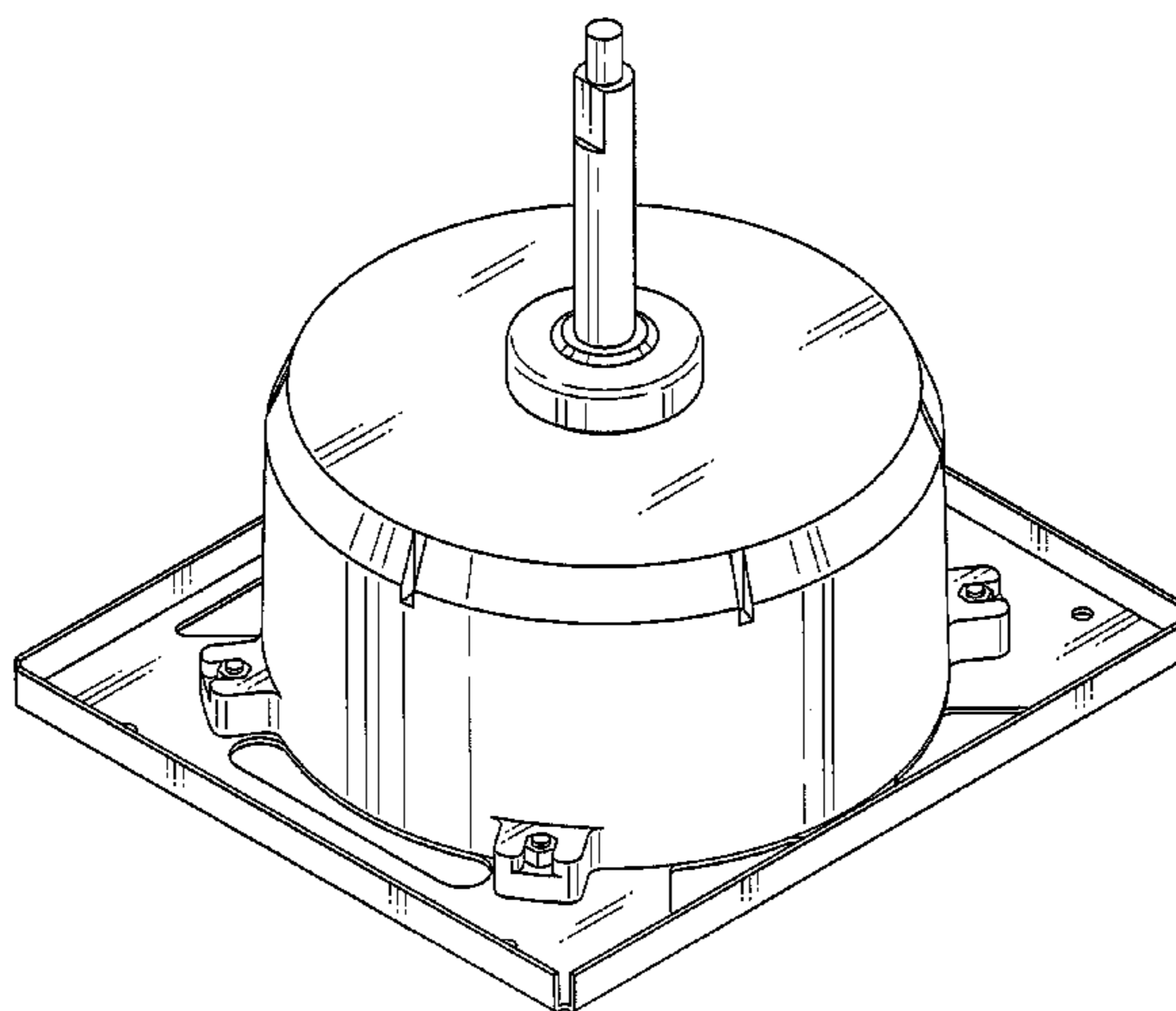


Fig. 1

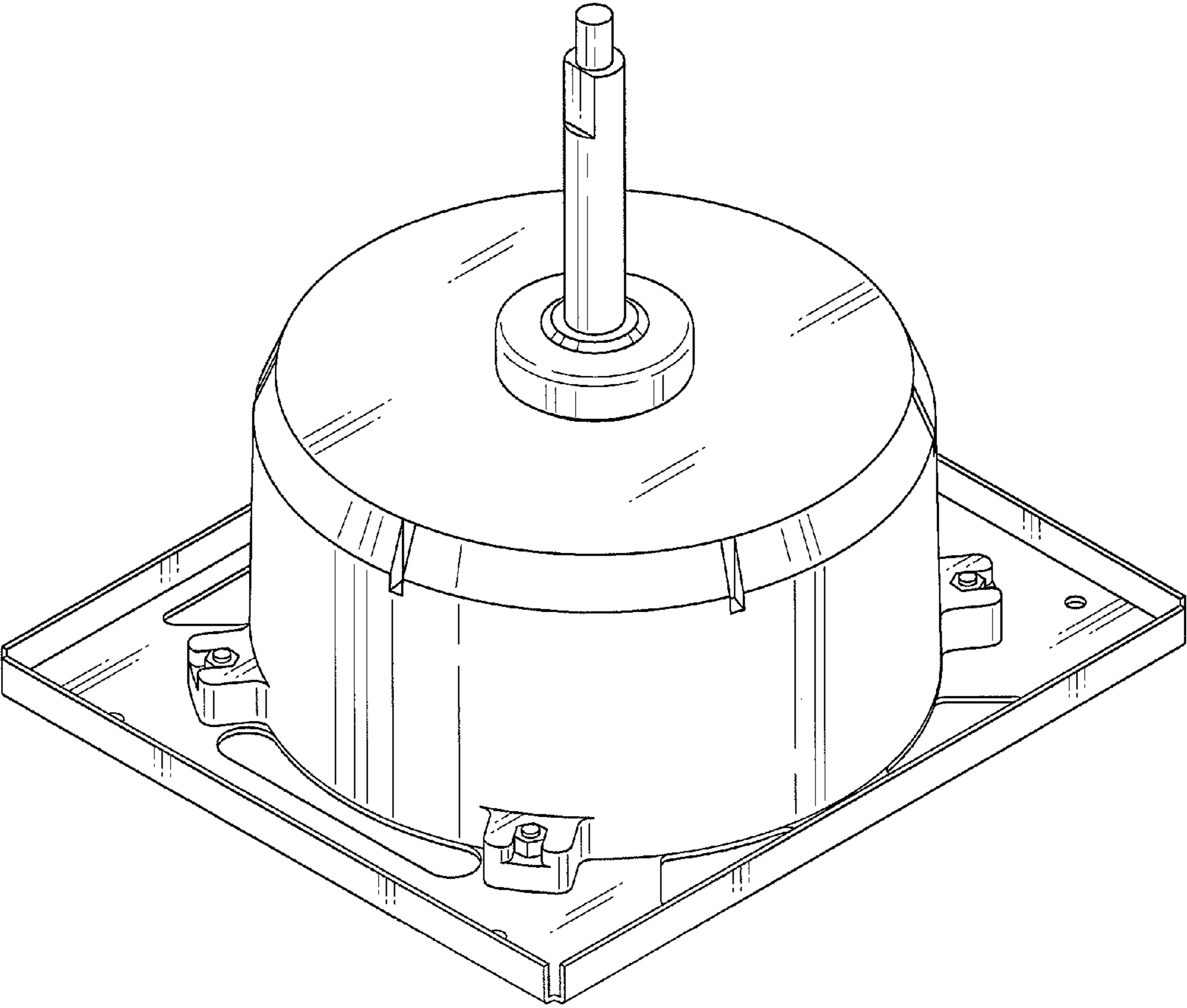


Fig. 2

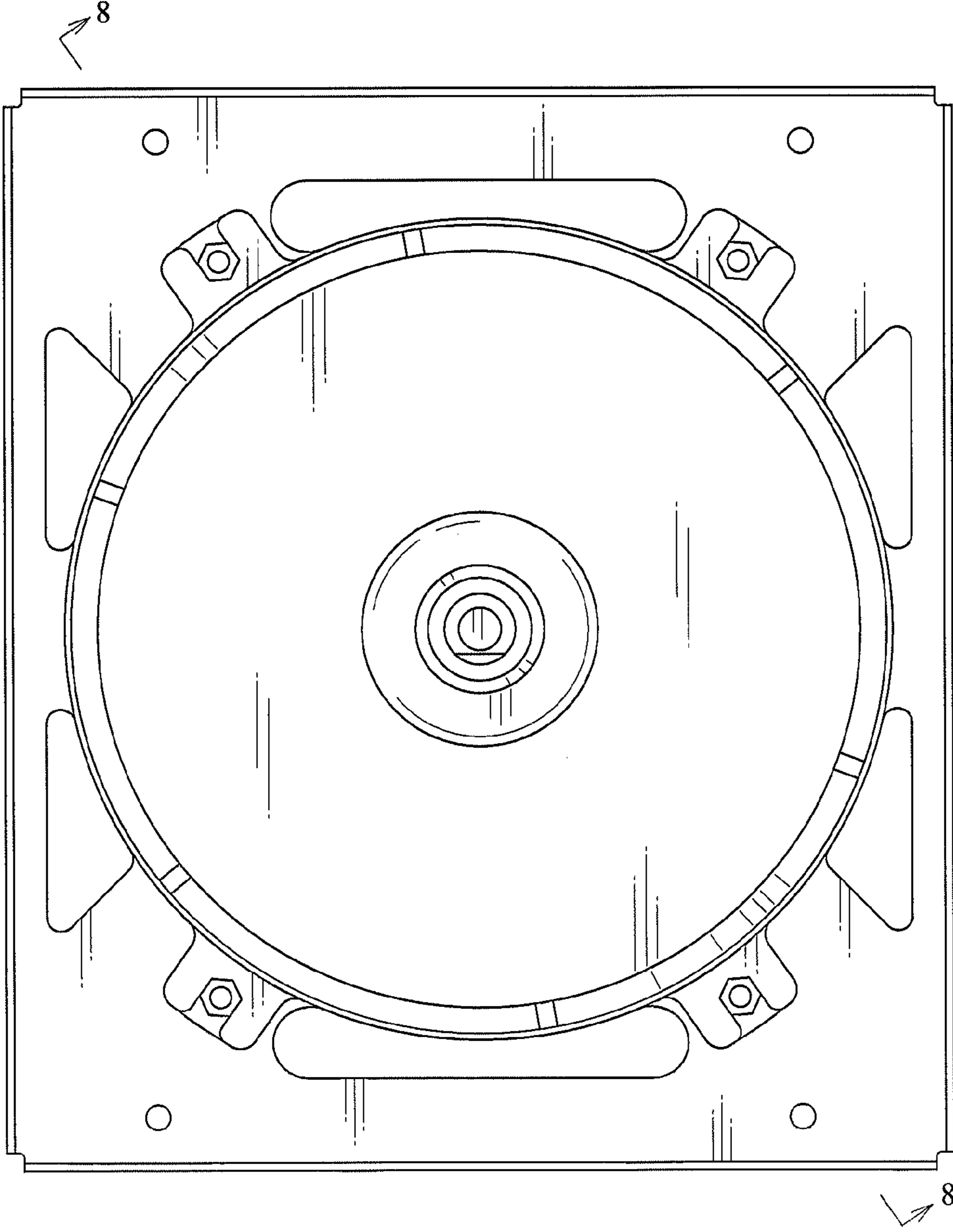


Fig. 3

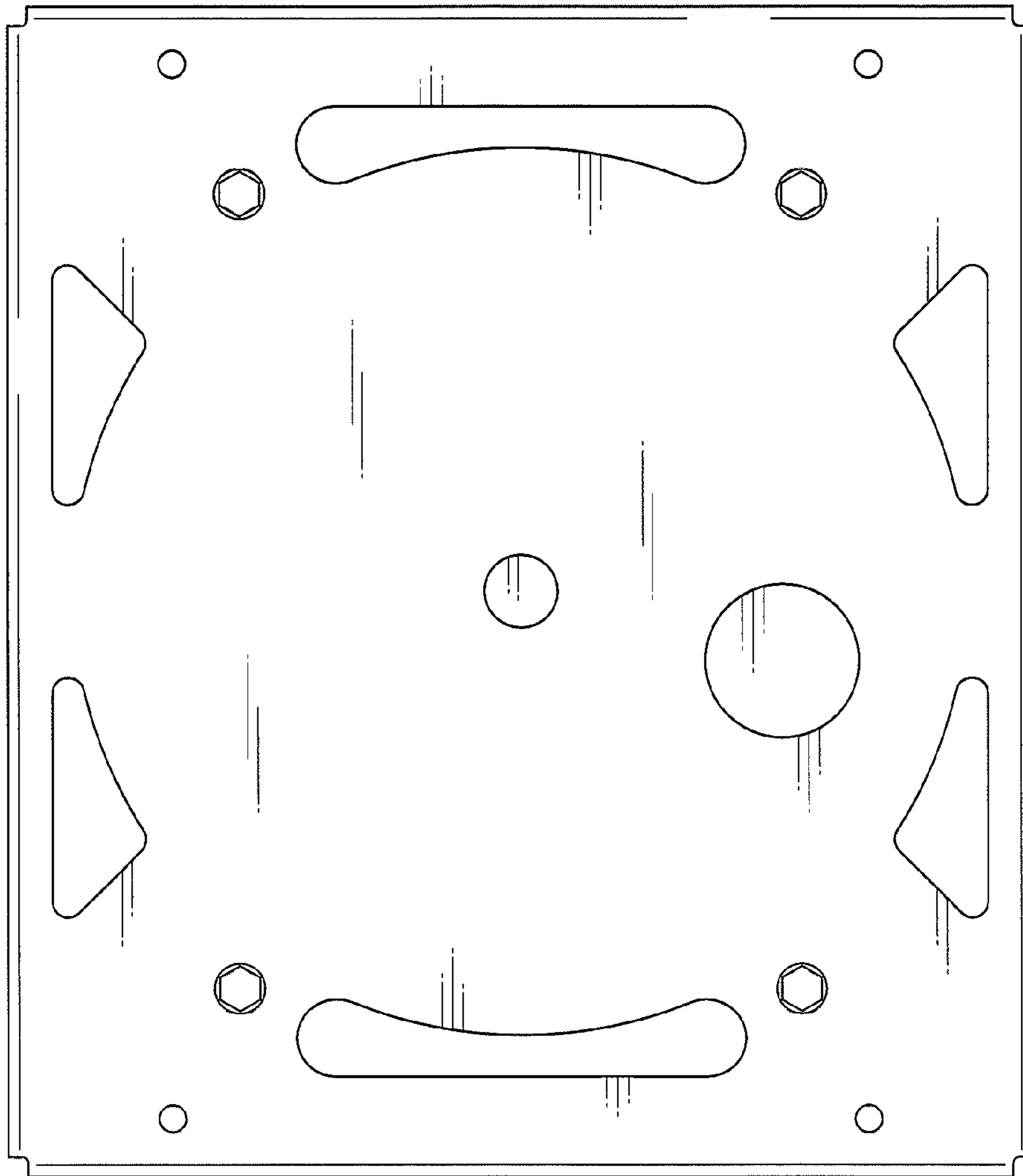


Fig. 4

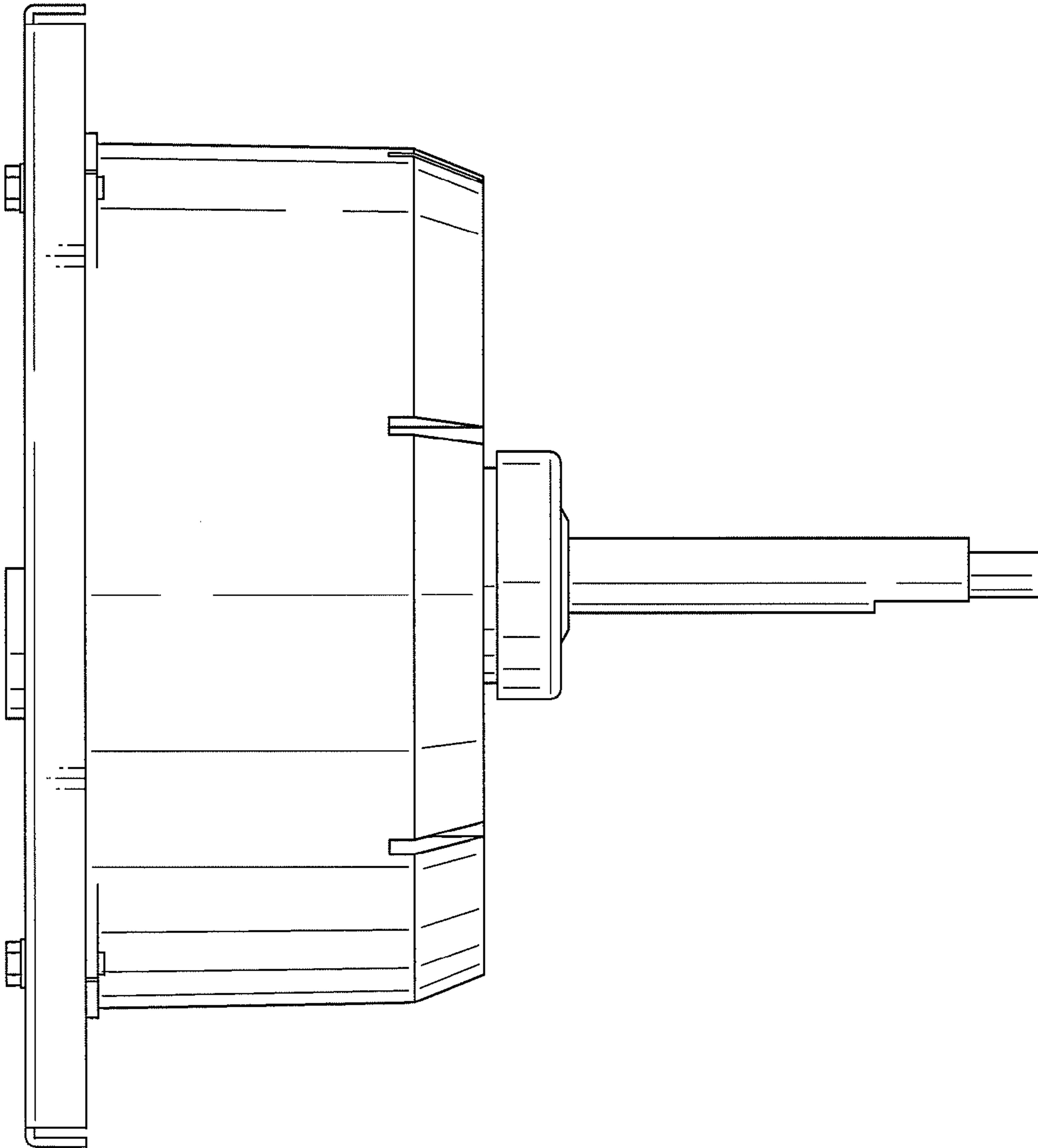


Fig. 5

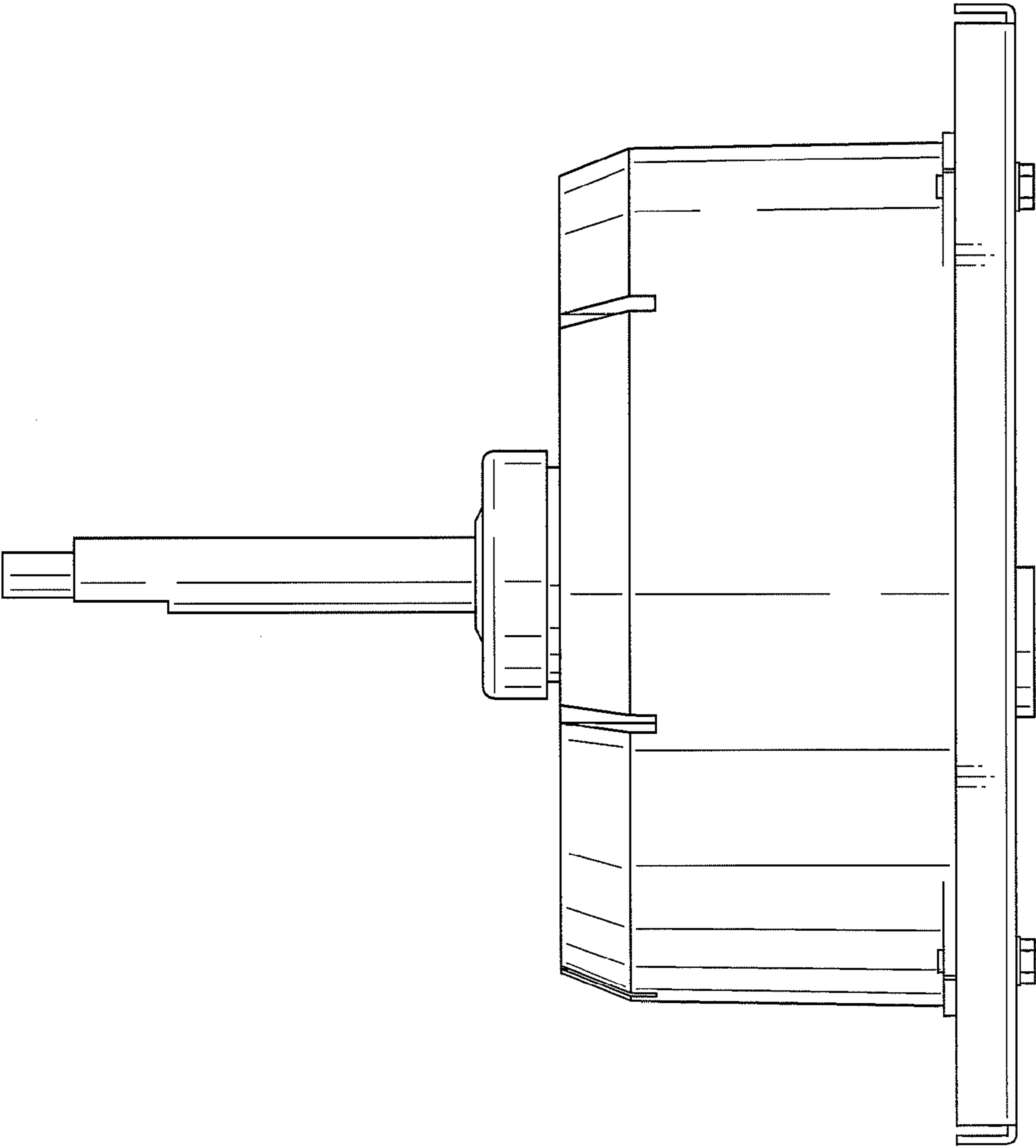


Fig. 6

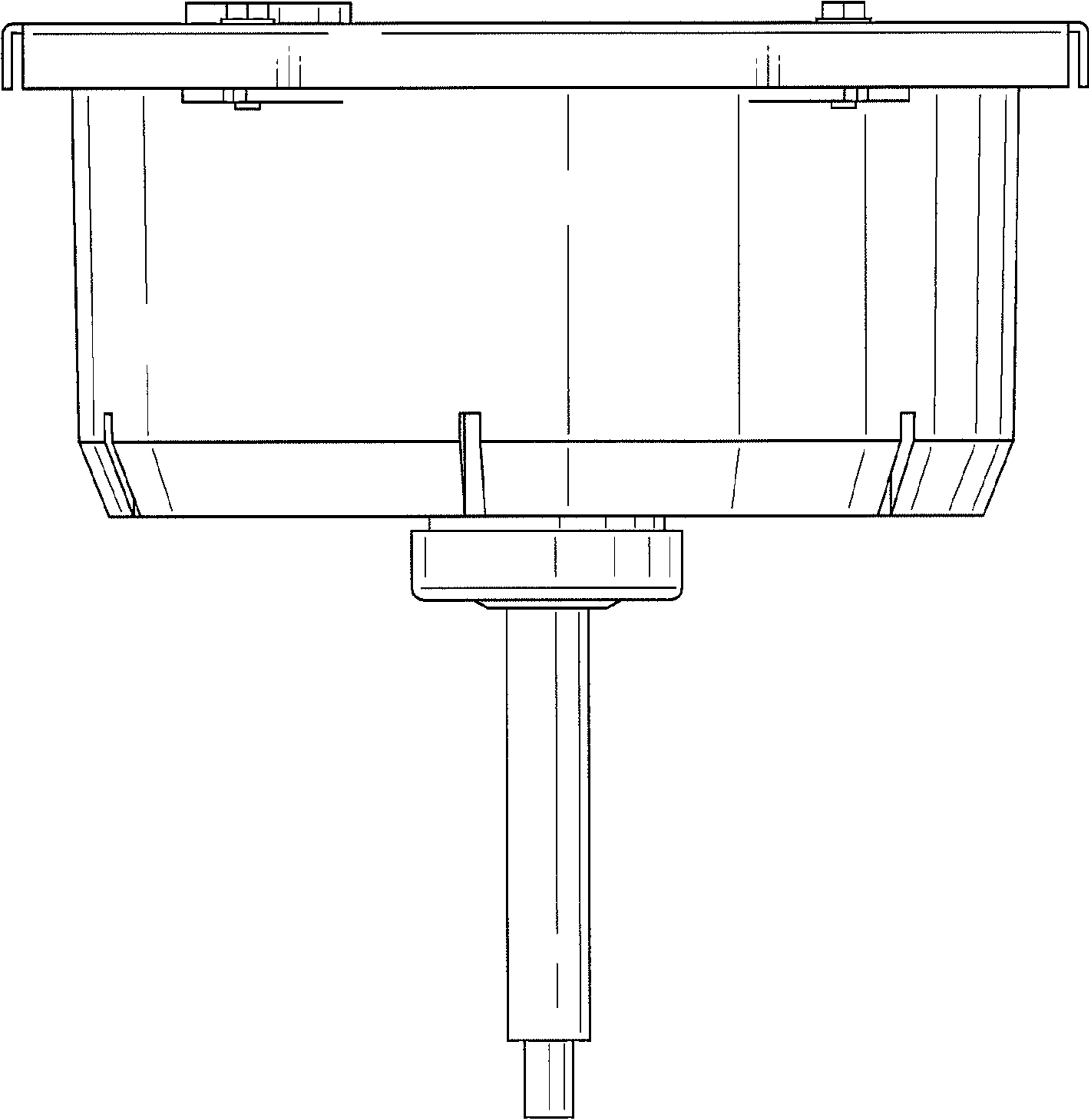


Fig. 7

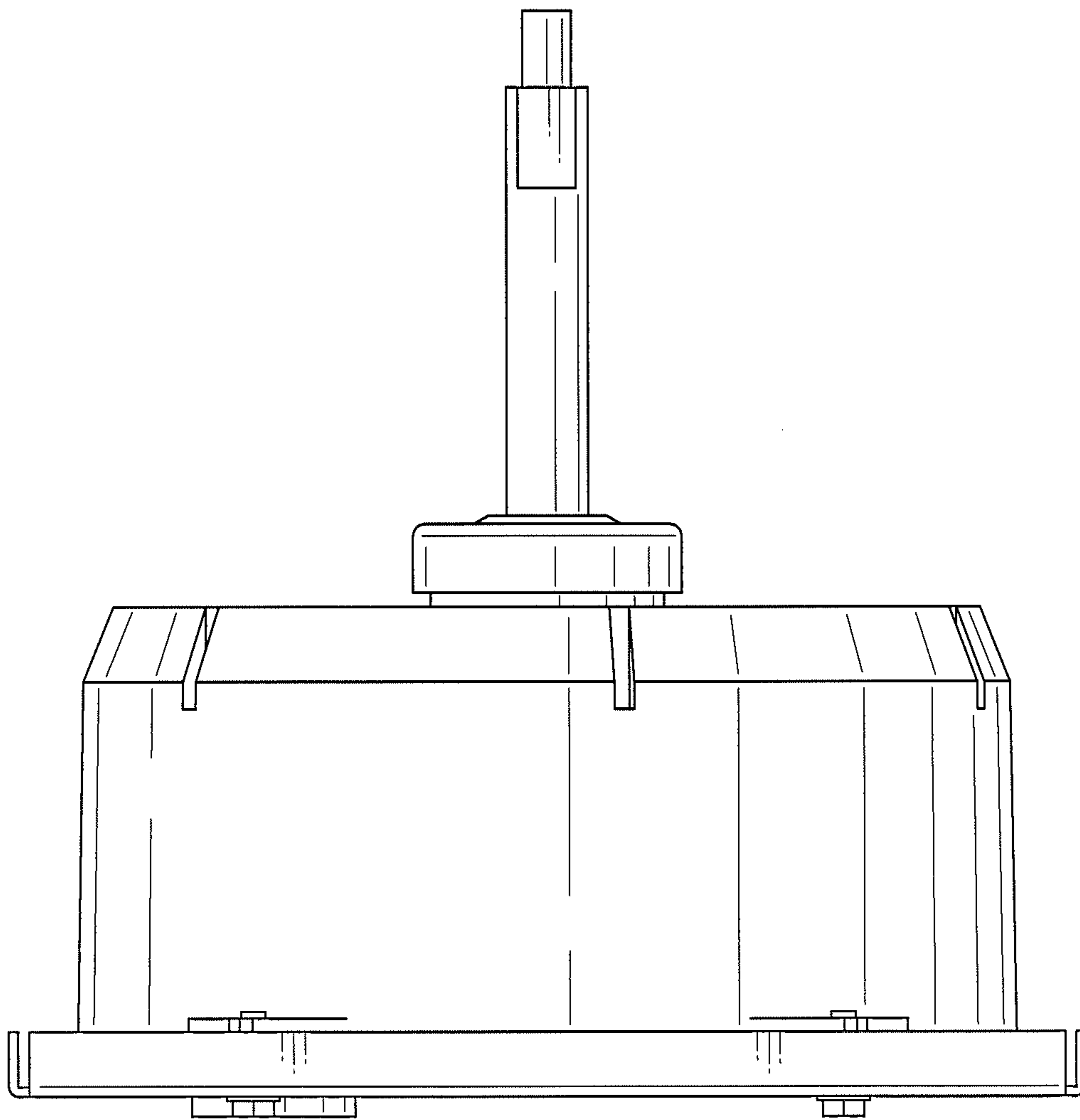


Fig. 8

