



US00D741258S

(12) **United States Design Patent**  
**Chao**

(10) **Patent No.:** **US D741,258 S**  
(45) **Date of Patent:** **\*\* Oct. 20, 2015**

(54) **CHARGING DEVICE WITH MULTIPLE CONNECTIONS**

(71) Applicant: **TwinTech Industry, Inc.**, Los Alamitos, CA (US)

(72) Inventor: **Hsin-Chia Chao**, Cerritos, CA (US)

(\*\*) Term: **15 Years**

(21) Appl. No.: **29/528,753**

(22) Filed: **Jun. 1, 2015**

(51) **LOC (10) Cl.** ..... **13-02**

(52) **U.S. Cl.**  
USPC ..... **D13/108**

(58) **Field of Classification Search**  
USPC ..... D13/107-110, 118-119, 182, 199;  
D14/251, 253, 432, 434; 320/107-115  
CPC ..... Y02E 60/12; Y02T 90/14; Y02T 90/122;  
Y02T 90/128; Y02T 90/163; H02J 7/025;  
H02J 7/0042; H02J 7/0044; H02J 7/0045;  
H02J 7/0003; H01F 38/14; H01R 13/6675;  
H01M 2/1022; H01M 2/1055; H01M 10/44;  
H01M 10/46; H01M 10/425; B60L 11/182  
See application file for complete search history.

(56) **References Cited**

U.S. PATENT DOCUMENTS

7,057,108	B1	6/2006	Sodemann	
7,224,086	B2	5/2007	Germagian	
D547,266	S *	7/2007	Wong	D13/110
D561,762	S *	2/2008	Mori	D14/434
D592,138	S *	5/2009	Mahaffey et al.	D13/123
D656,096	S *	3/2012	Sasada et al.	D13/108
D659,094	S *	5/2012	Brand et al.	D13/108
D662,070	S *	6/2012	Loughlin	D13/184
D663,684	S *	7/2012	Yang	D13/108
D663,685	S *	7/2012	Yang	D13/108
8,308,507	B2	11/2012	Lin	
D673,110	S *	12/2012	Sasada et al.	D13/108

D674,748	S *	1/2013	Ferber et al.	D13/108
D680,063	S *	4/2013	Sasada	D13/103
D685,732	S *	7/2013	Miller et al.	D13/108
8,491,330	B2	7/2013	McSweyn	
D702,632	S *	4/2014	Salmon	D13/108
D704,629	S *	5/2014	Liu	D13/108
D704,634	S *	5/2014	Eidelman et al.	D13/108
D716,224	S *	10/2014	Blumin et al.	D13/108
D725,034	S *	3/2015	Chen	D13/108
2007/0247803	A1	10/2007	Eickholdt	

(Continued)

FOREIGN PATENT DOCUMENTS

JP 4041840 2/2008

*Primary Examiner* — Rosemary K Tarcza

(74) *Attorney, Agent, or Firm* — Larson & Larson, P.A.; Justin P. Miller; Patrick A. Reid

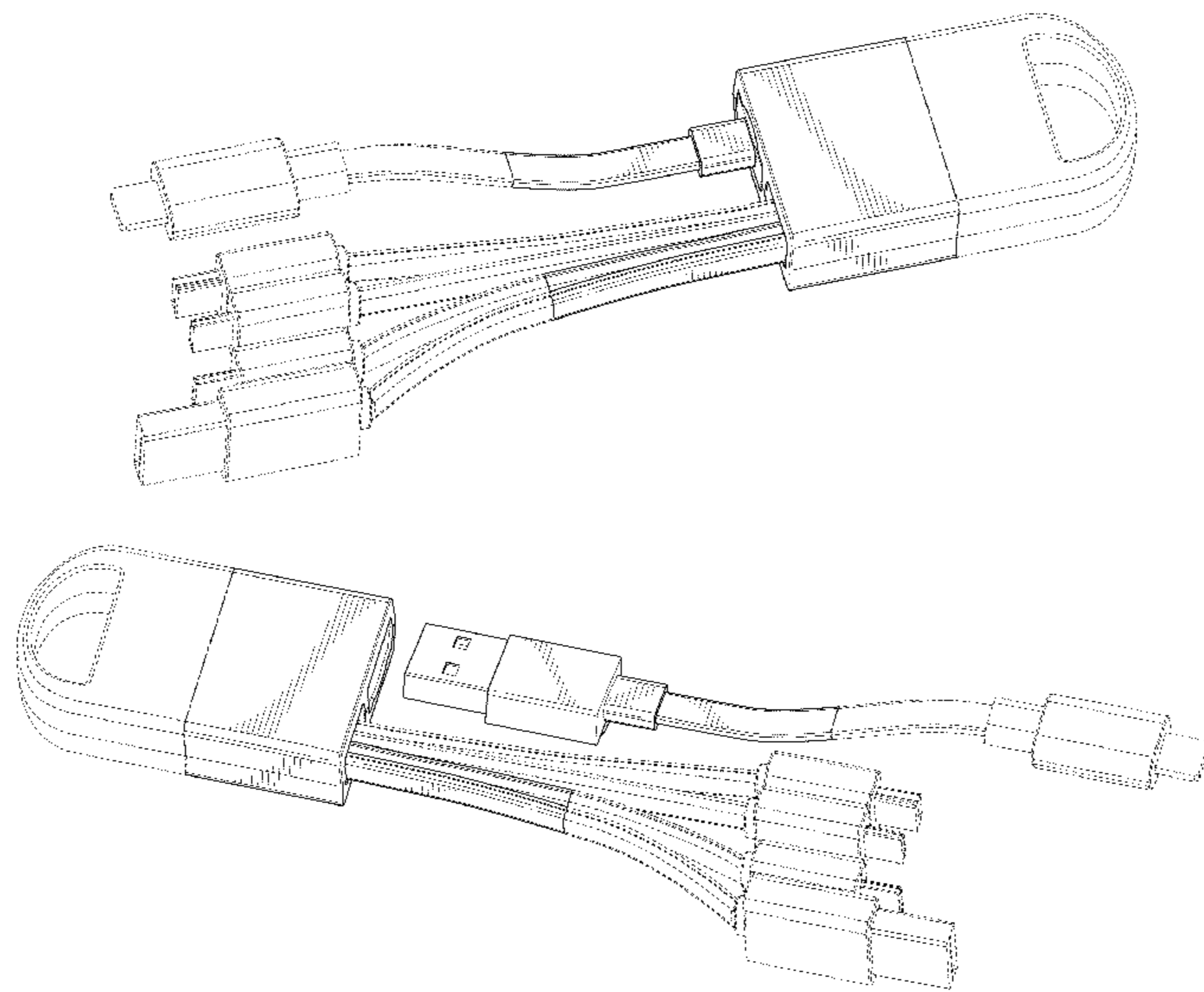
(57) **CLAIM**

I claim the ornamental design for a charging device with multiple connections, as shown and described.

**DESCRIPTION**

FIG. 1 is a perspective view of a charging device with multiple connections showing my new design;  
FIG. 2 is a top plan view thereof;  
FIG. 3 is a bottom plan view thereof;  
FIG. 4 is a front elevation view thereof;  
FIG. 5 is a back elevation thereof;  
FIG. 6 is a right-side elevation view thereof;  
FIG. 7 is a left-side elevation view thereof;  
FIG. 8 is a perspective view thereof, showing cable unplugged; and,  
FIG. 9 is a perspective view thereof, showing cable unplugged.  
The broken lines showing portions of the charger and its cables are included for the purpose of illustrating environmental structure and form no part of the claimed design.

**1 Claim, 7 Drawing Sheets**



# US D741,258 S

Page 2

---

(56)

## References Cited

### U.S. PATENT DOCUMENTS

2008/0061733	A1 *	3/2008	Toya .....	320/103	2008/0204992	A1	8/2008	Swenson
2008/0143290	A1	6/2008	Chavakula		2008/0239681	A1	10/2008	Iida
2008/0174265	A1 *	7/2008	Toya .....	320/107	2009/0156053	A1	6/2009	Hwang
					2013/0043827	A1 *	2/2013	Weinstein et al. .... 320/103
					2014/0042969	A1 *	2/2014	Miller et al. .... 320/111

\* cited by examiner

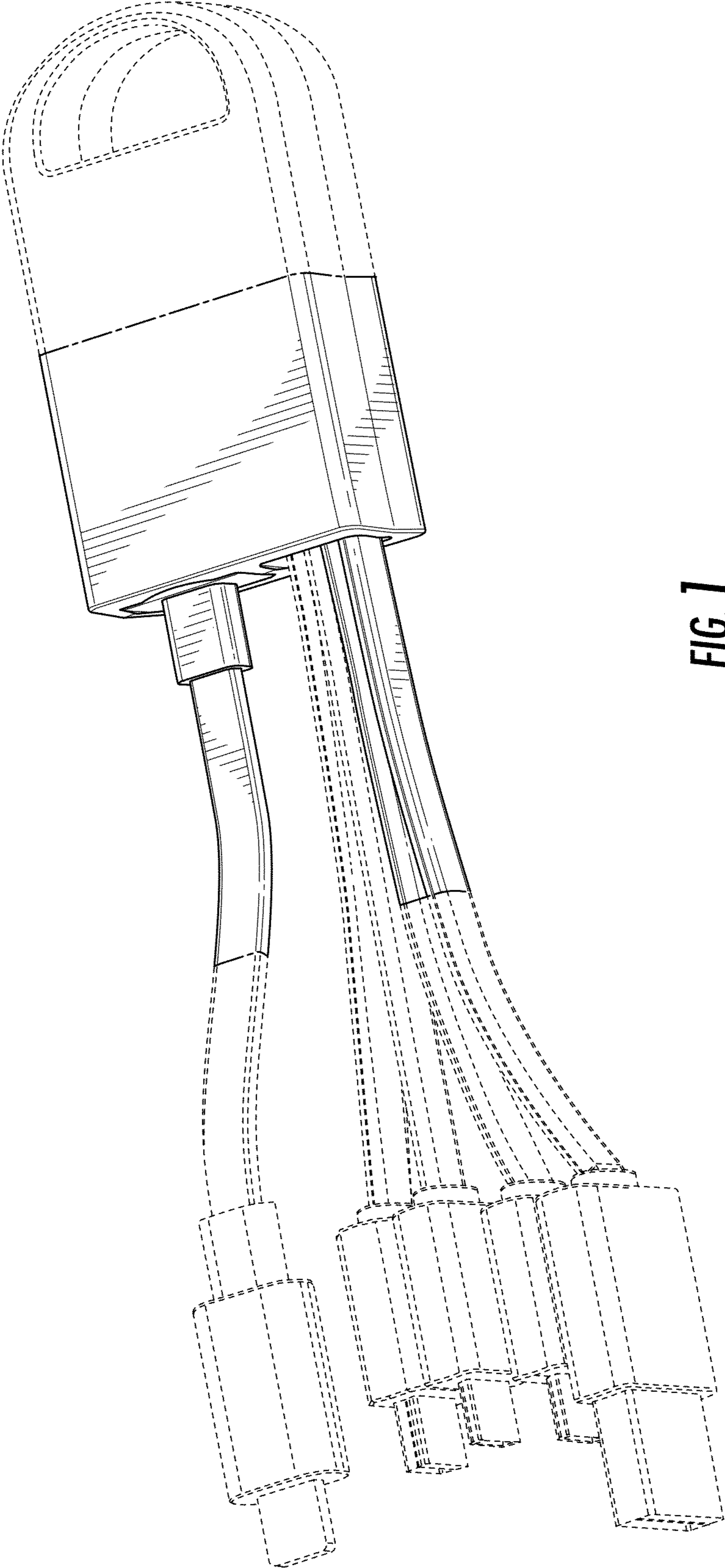
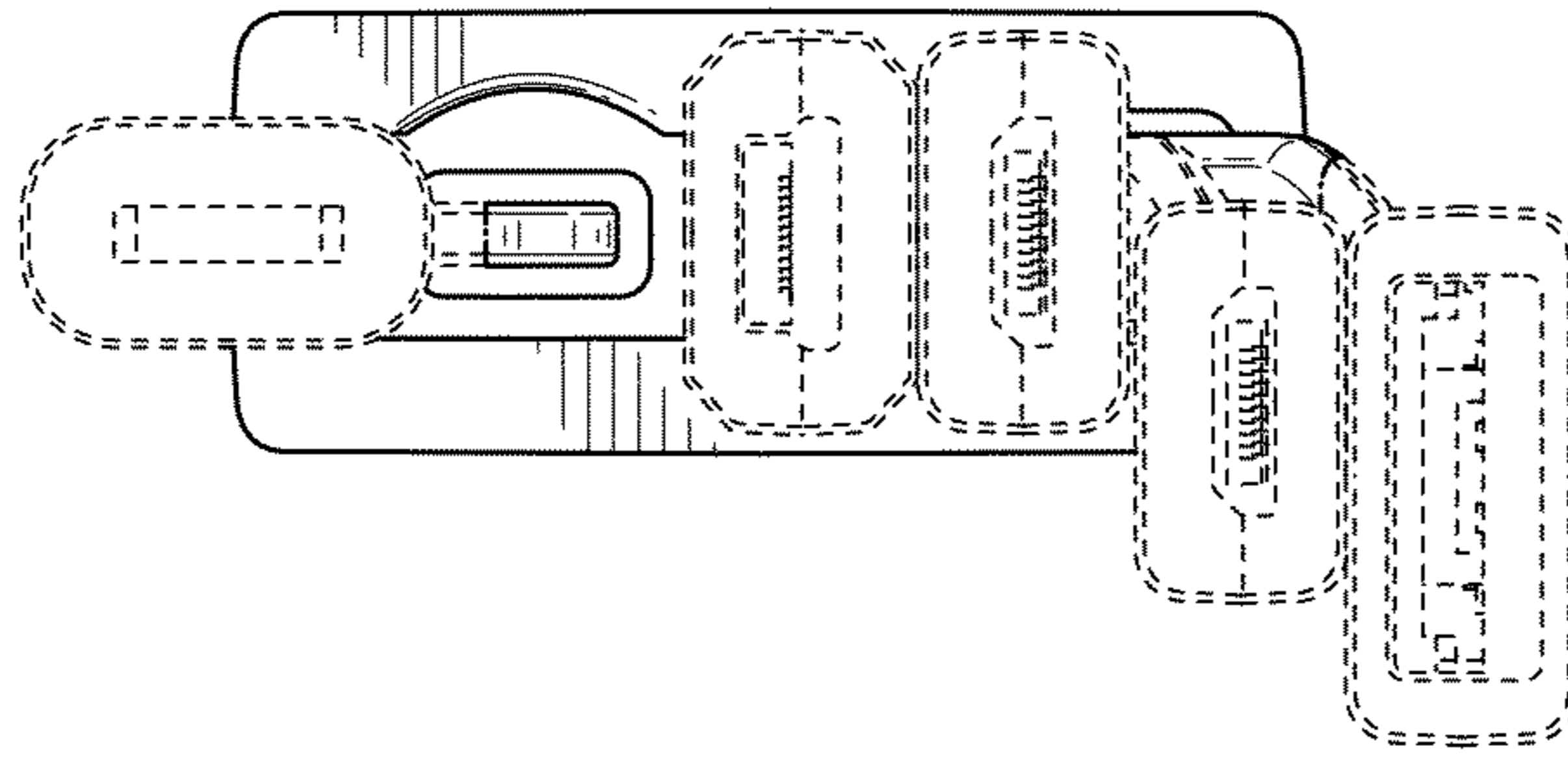
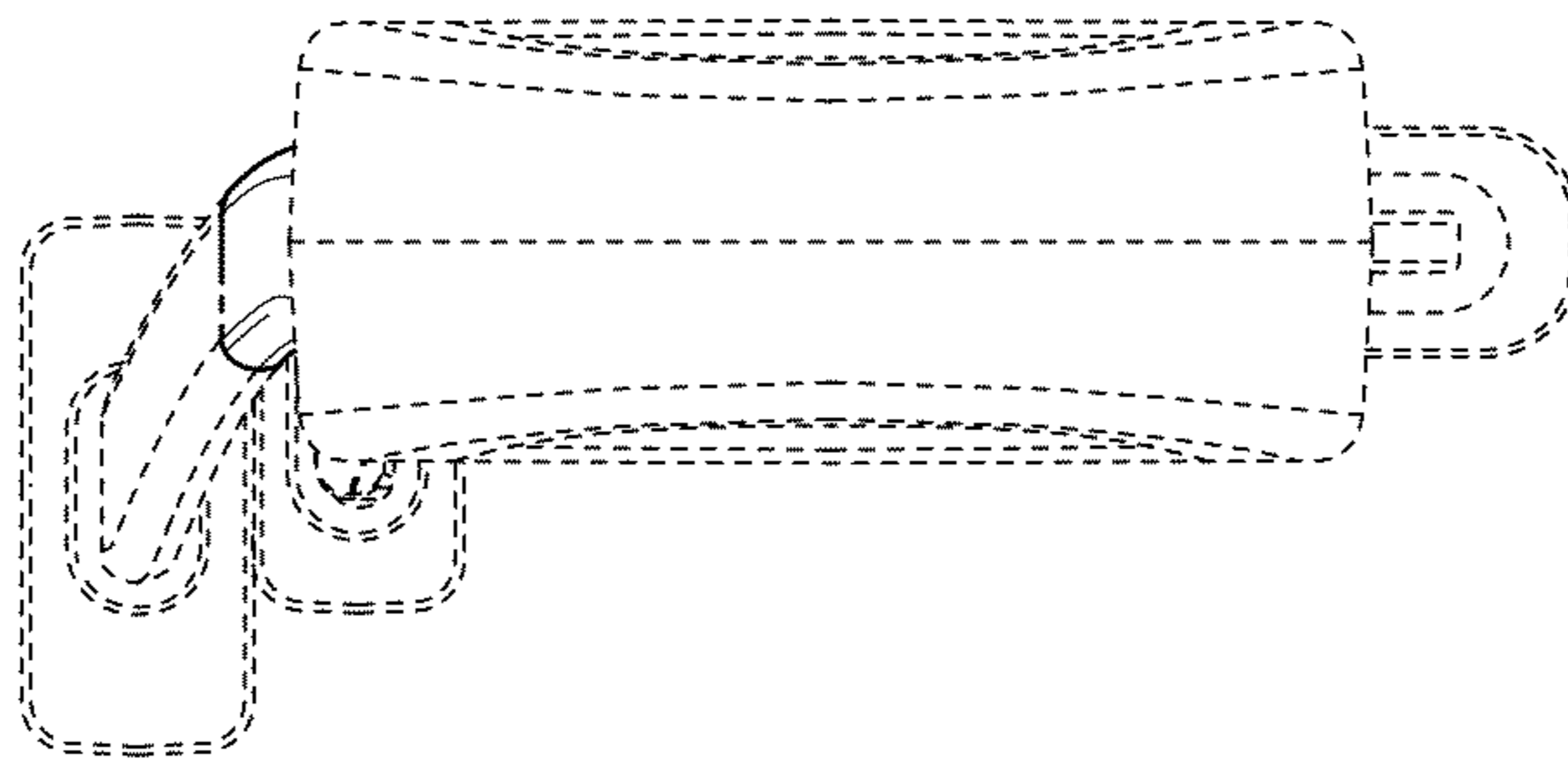


FIG. 7



**FIG. 2**



**FIG. 3**

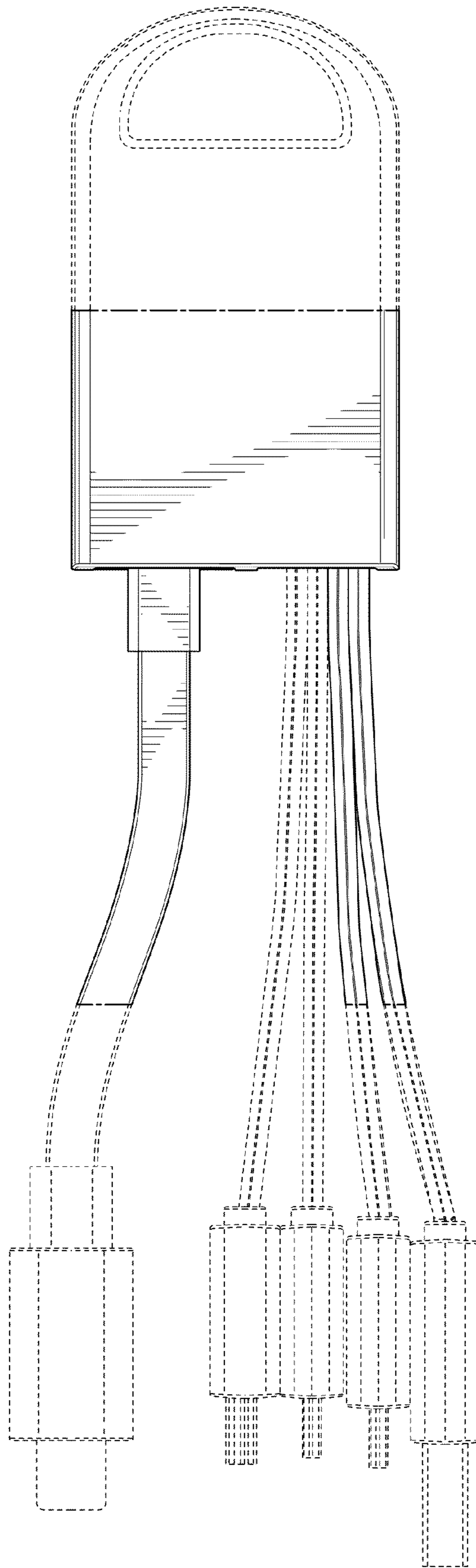


FIG. 4

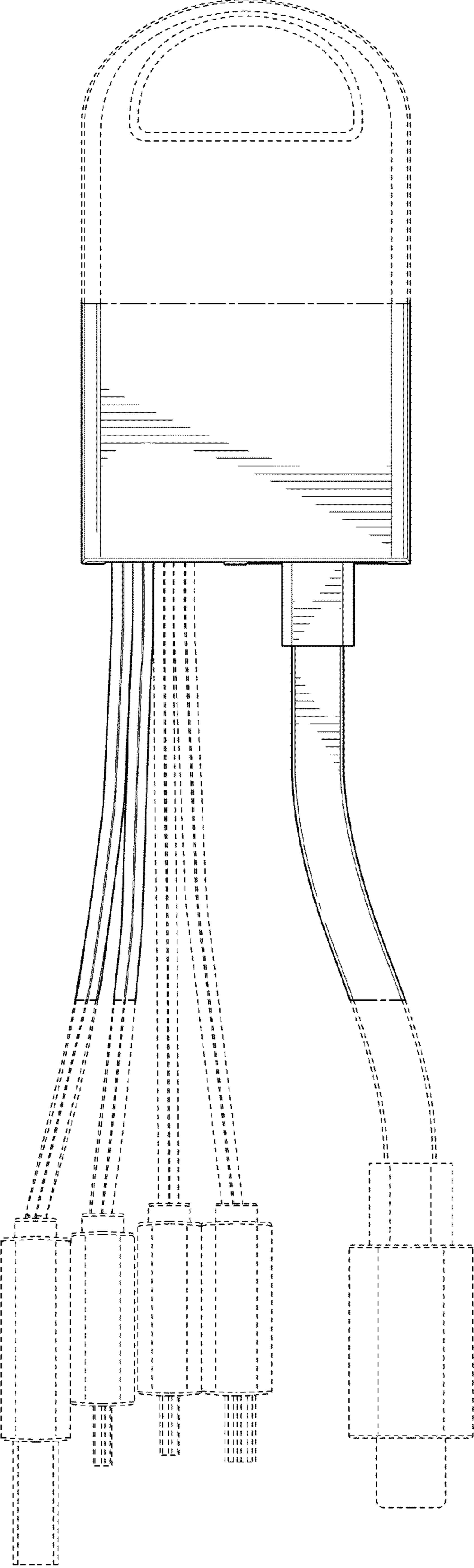


FIG. 5

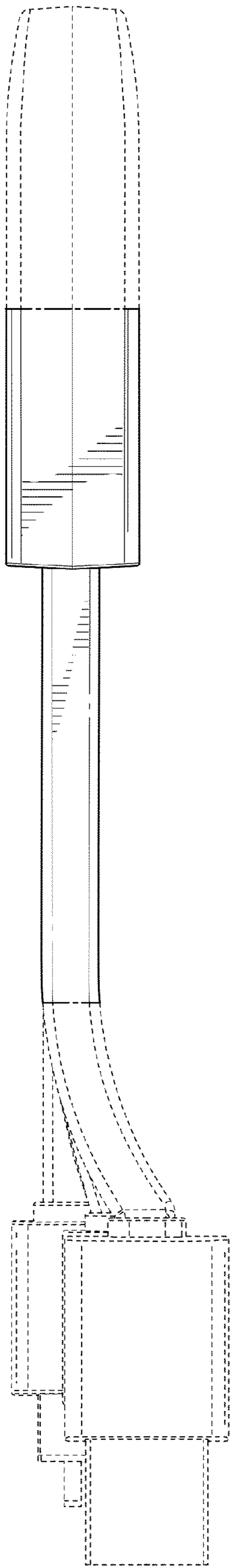


FIG. 6

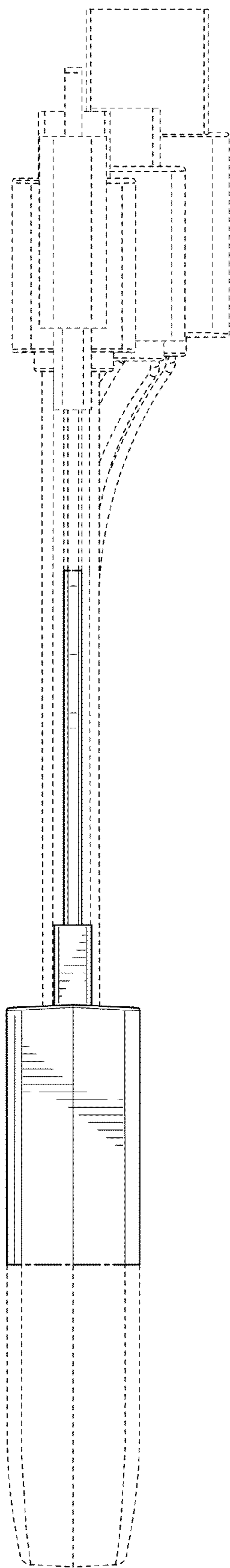


FIG. 7

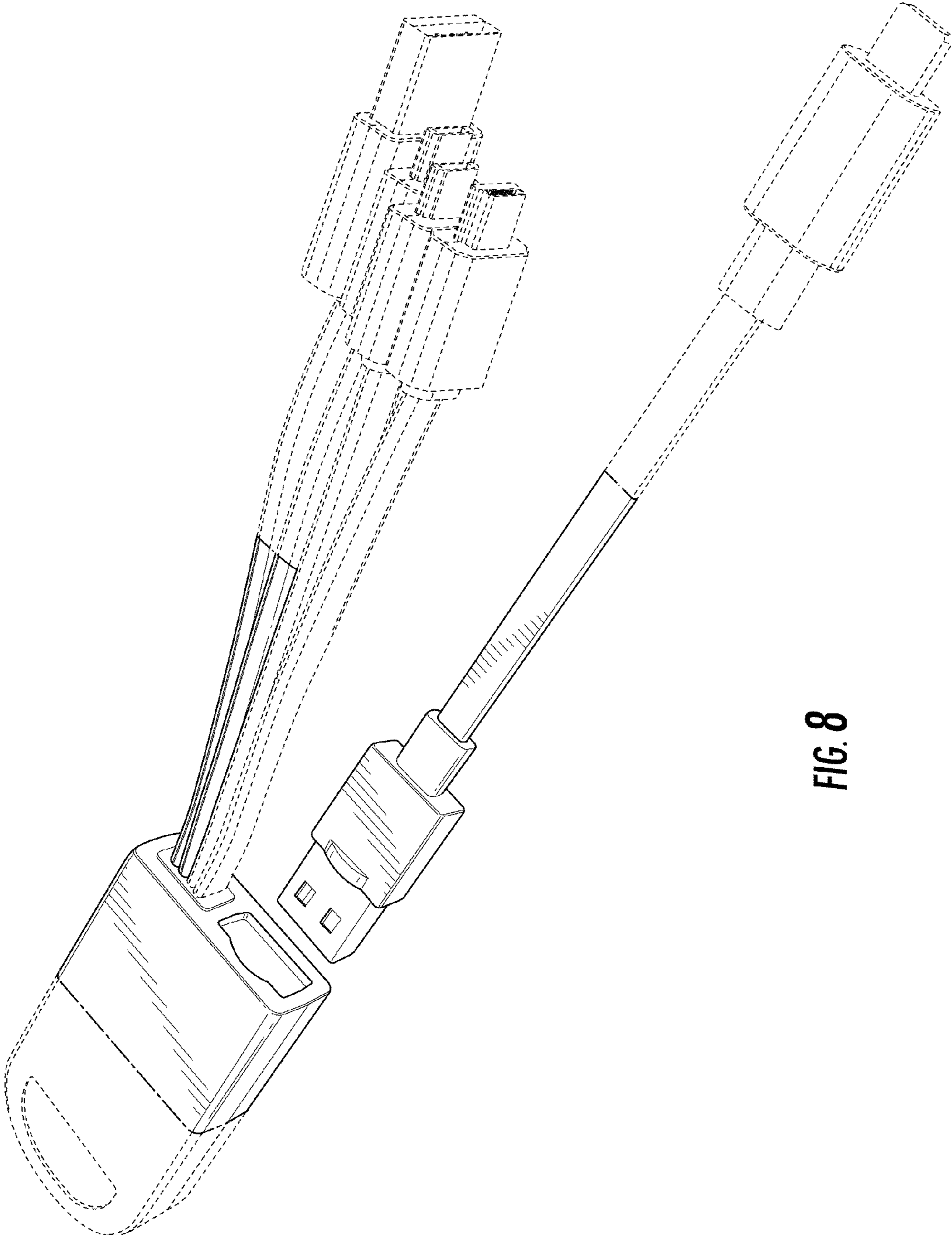


FIG. 8



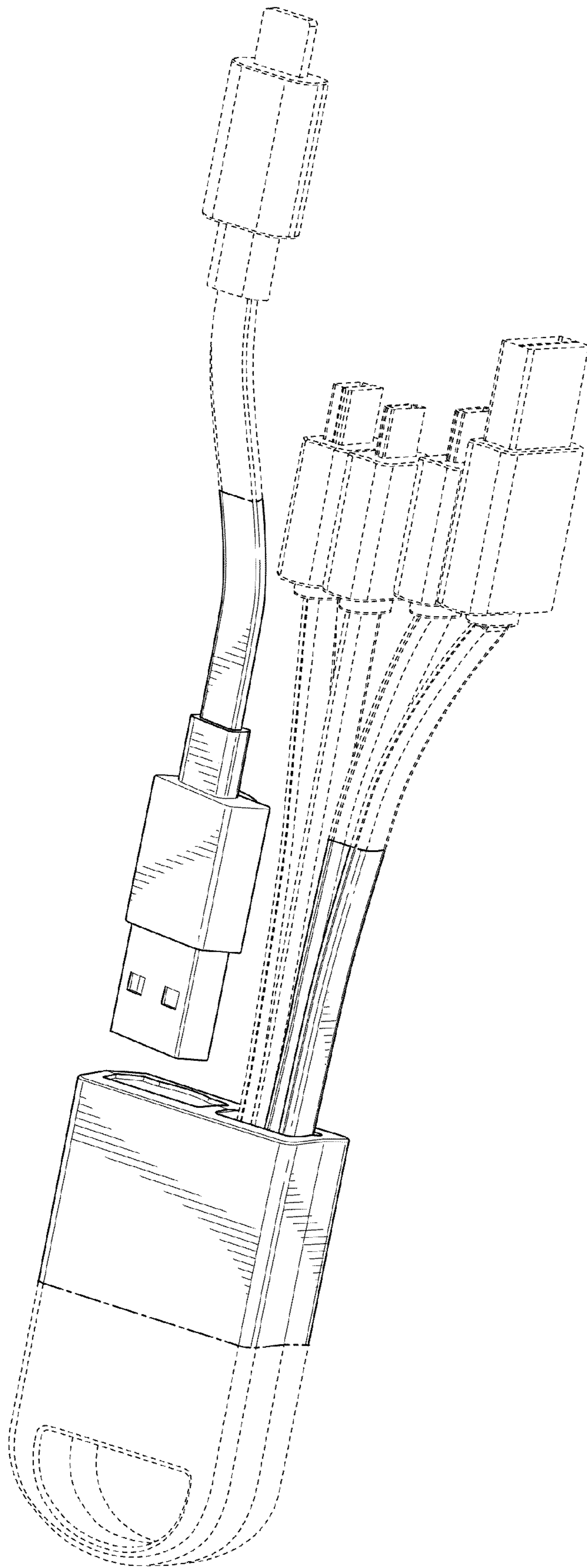


FIG. 9