



US00D741257S

(12) **United States Design Patent**
Sumida

(10) **Patent No.:** **US D741,257 S**
(45) **Date of Patent:** **** Oct. 20, 2015**

(54) **ELECTRIC WALL CHARGER WITH CORNER CABLE**

(71) Applicant: **E-filliate, Inc.**, Rancho Cordova, CA (US)

(72) Inventor: **Wesley K. Sumida**, Fair Oaks, CA (US)

(73) Assignee: **E-filliate, Inc.**, Rancho Cordova, CA (US)

(**) Term: **14 Years**

(21) Appl. No.: **29/494,735**

(22) Filed: **Jun. 24, 2014**

(51) **LOC (10) Cl.** **13-02**

(52) **U.S. Cl.**
USPC **D13/108**

(58) **Field of Classification Search**
USPC D13/107–110, 118–119, 182, 199;
D14/251, 253, 432, 434; 320/107–115
CPC Y02E 60/12; Y02T 90/14; Y02T 90/122;
Y02T 90/128; Y02T 90/163; H02J 7/025;
H02J 7/0042; H02J 7/0044; H02J 7/0045;
H02J 7/0003; H01F 38/14; H01R 13/6675;
H01M 2/1022; H01M 2/1055; H01M 10/44;
H01M 10/46; H01M 10/425; B60L 11/182
See application file for complete search history.

(56) **References Cited**

U.S. PATENT DOCUMENTS

D611,415 S *	3/2010	Andre et al.	D13/138.1
D623,136 S *	9/2010	Andre et al.	D13/138.1
D627,728 S *	11/2010	Smith et al.	D13/138.1
D627,729 S *	11/2010	Smith et al.	D13/138.1
D638,357 S *	5/2011	Sasada et al.	D13/110
D642,524 S *	8/2011	Fitch et al.	D13/110
D647,476 S *	10/2011	Ciou	D13/110
D653,208 S *	1/2012	Au	D13/108
D653,209 S *	1/2012	Lee	D13/110

D653,614 S *	2/2012	Au	D13/108
D653,615 S *	2/2012	Au	D13/108
D654,020 S *	2/2012	Au	D13/108
D655,243 S *	3/2012	Au	D13/108
D655,244 S *	3/2012	Au	D13/108
D681,548 S *	5/2013	Zhang et al.	D13/102
D682,781 S *	5/2013	Wakafuji et al.	D13/110
D683,314 S *	5/2013	Andre et al.	D13/138.1
D693,764 S *	11/2013	Hok Man	D13/108
D702,631 S *	4/2014	Esses	D13/108
D712,829 S *	9/2014	Huang	D13/110
D718,714 S *	12/2014	Si	D13/110
D718,715 S *	12/2014	Si	D13/110
D719,092 S *	12/2014	Huang	D13/110
D729,160 S *	5/2015	Levy et al.	D13/110
D732,472 S *	6/2015	Laffon et al.	D13/110
2010/0117597 A1 *	5/2010	Wang	320/111

* cited by examiner

Primary Examiner — Rosemary K Tarcza

(74) *Attorney, Agent, or Firm* — Heisler & Associate

(57) **CLAIM**

The ornamental design for an electric wall charger with corner cable, as shown and described.

DESCRIPTION

FIG. 1 is a perspective view of an electric wall charger with corner cable with the contacts extended.

FIG. 2 is a front elevation view of the invention.

FIG. 3 is a bottom plan view of the invention.

FIG. 4 is a top plan view of the invention.

FIG. 5 is a left side view of the invention.

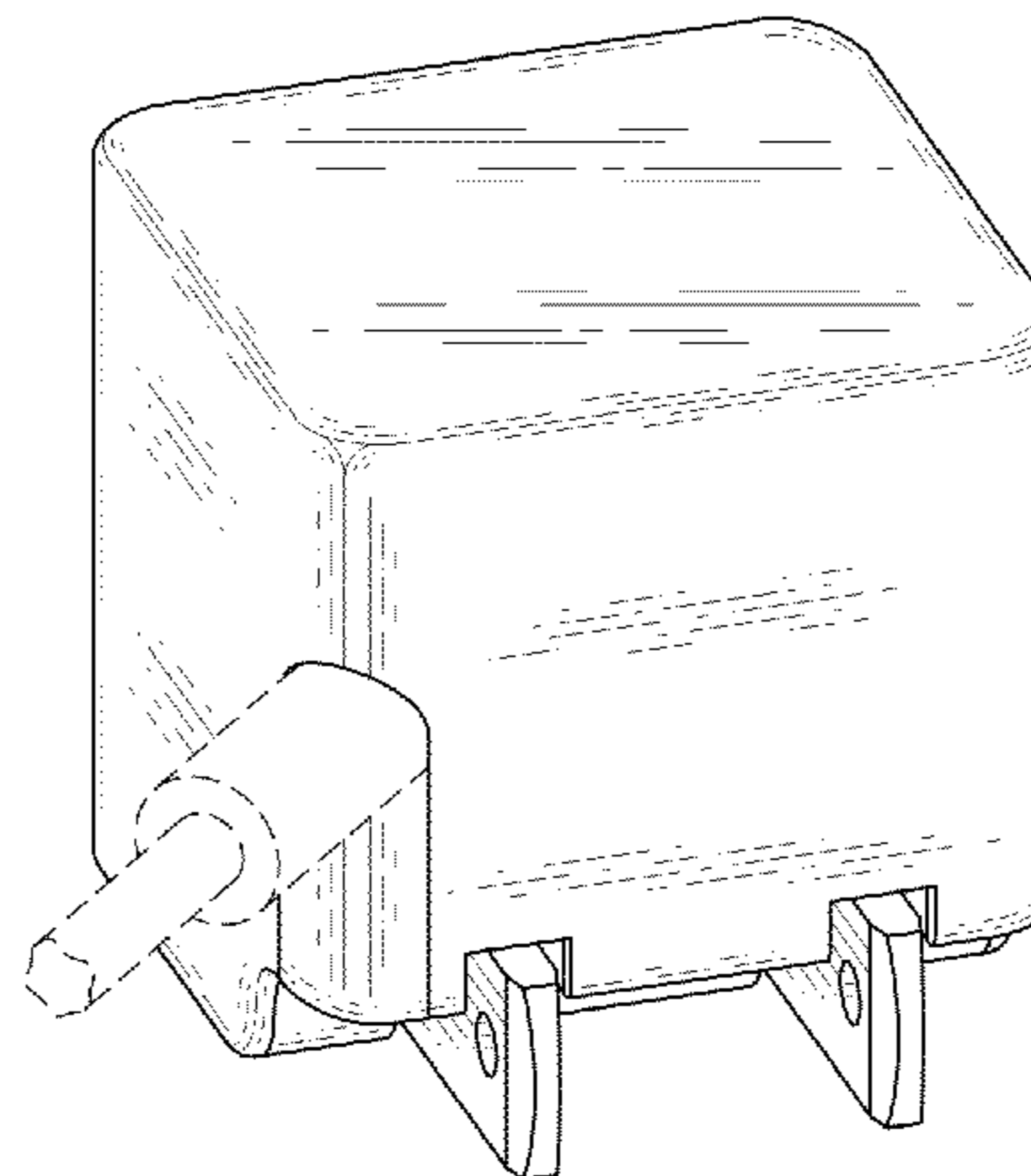
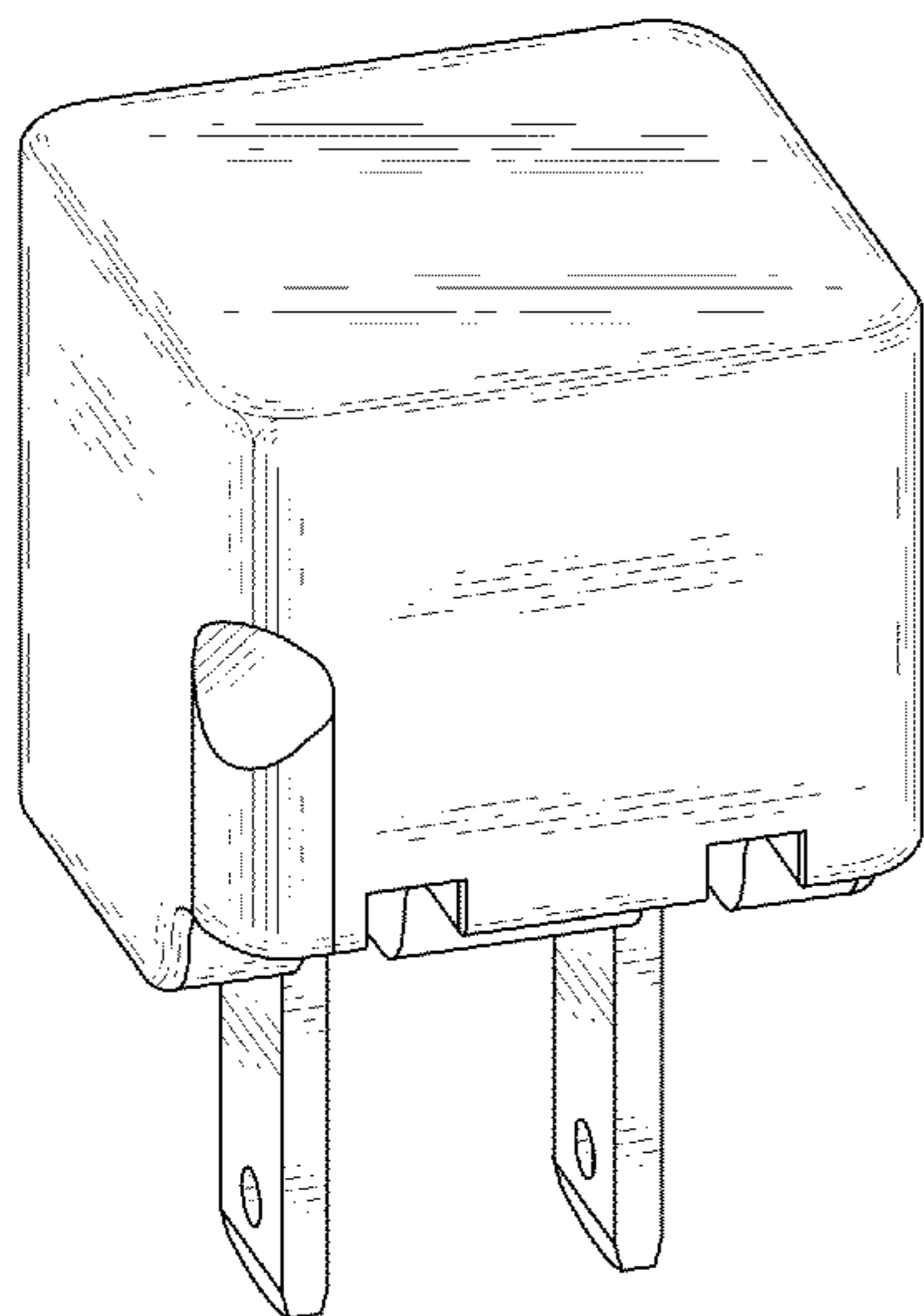
FIG. 6 is a right side view of the invention with the contacts retracted.

FIG. 7 is a rear elevation view of the invention; and,

FIG. 8 is a perspective view of the invention with the contacts retracted.

The broken lines in FIGS. 2, 4, 6, 7 and 8 are for purposes of illustration only and form no part of the claimed design.

1 Claim, 2 Drawing Sheets



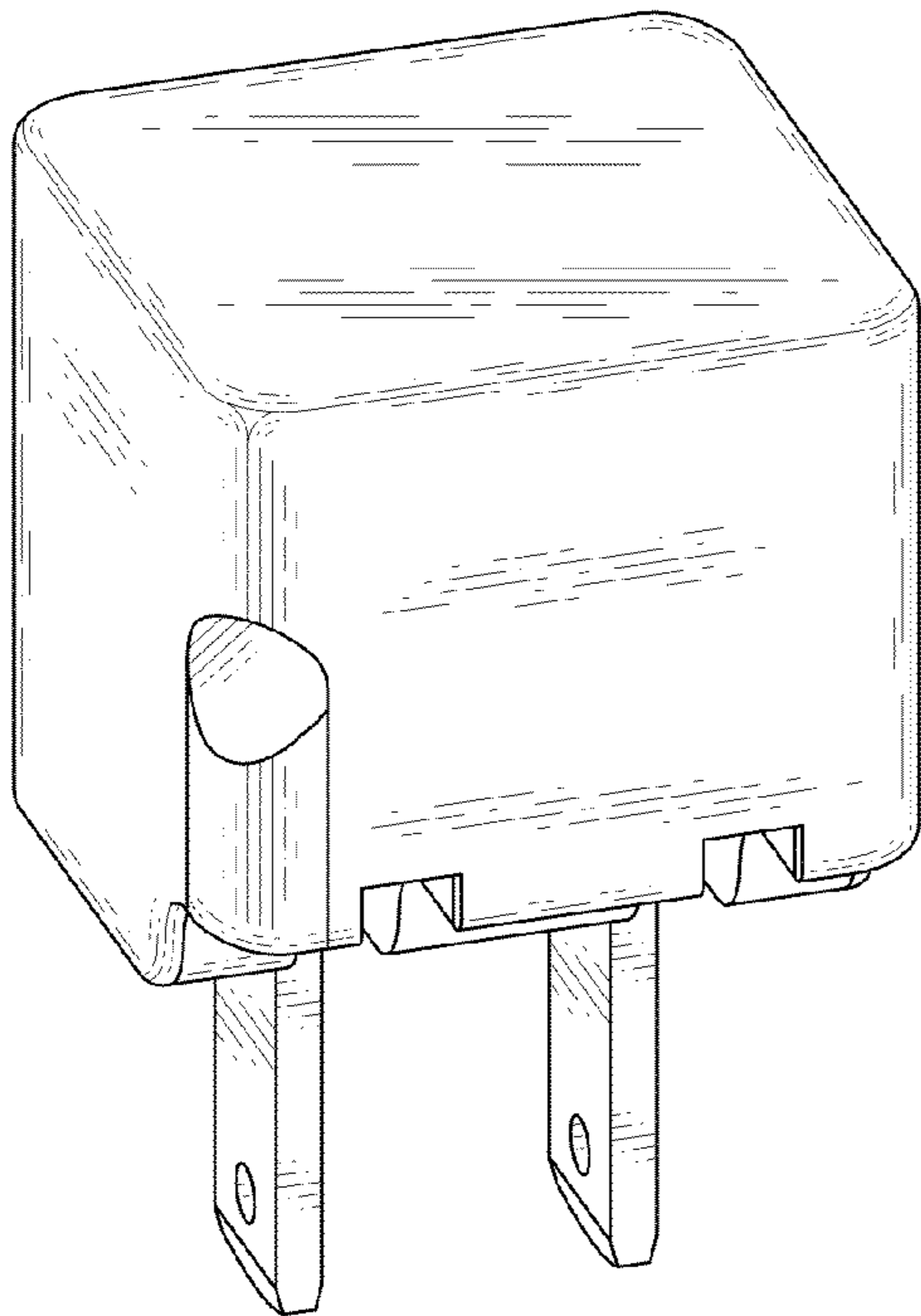


Fig. 1

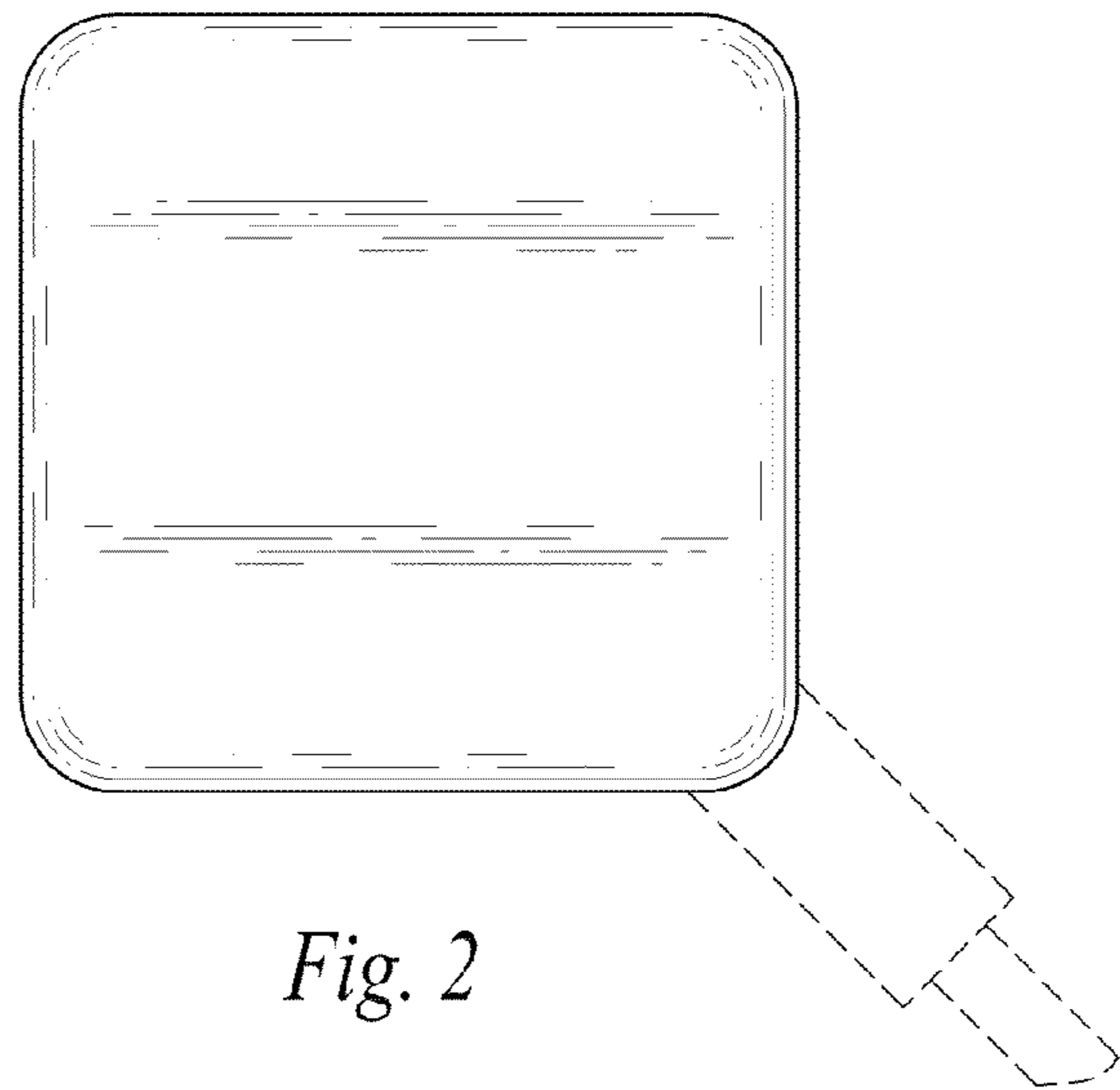


Fig. 2

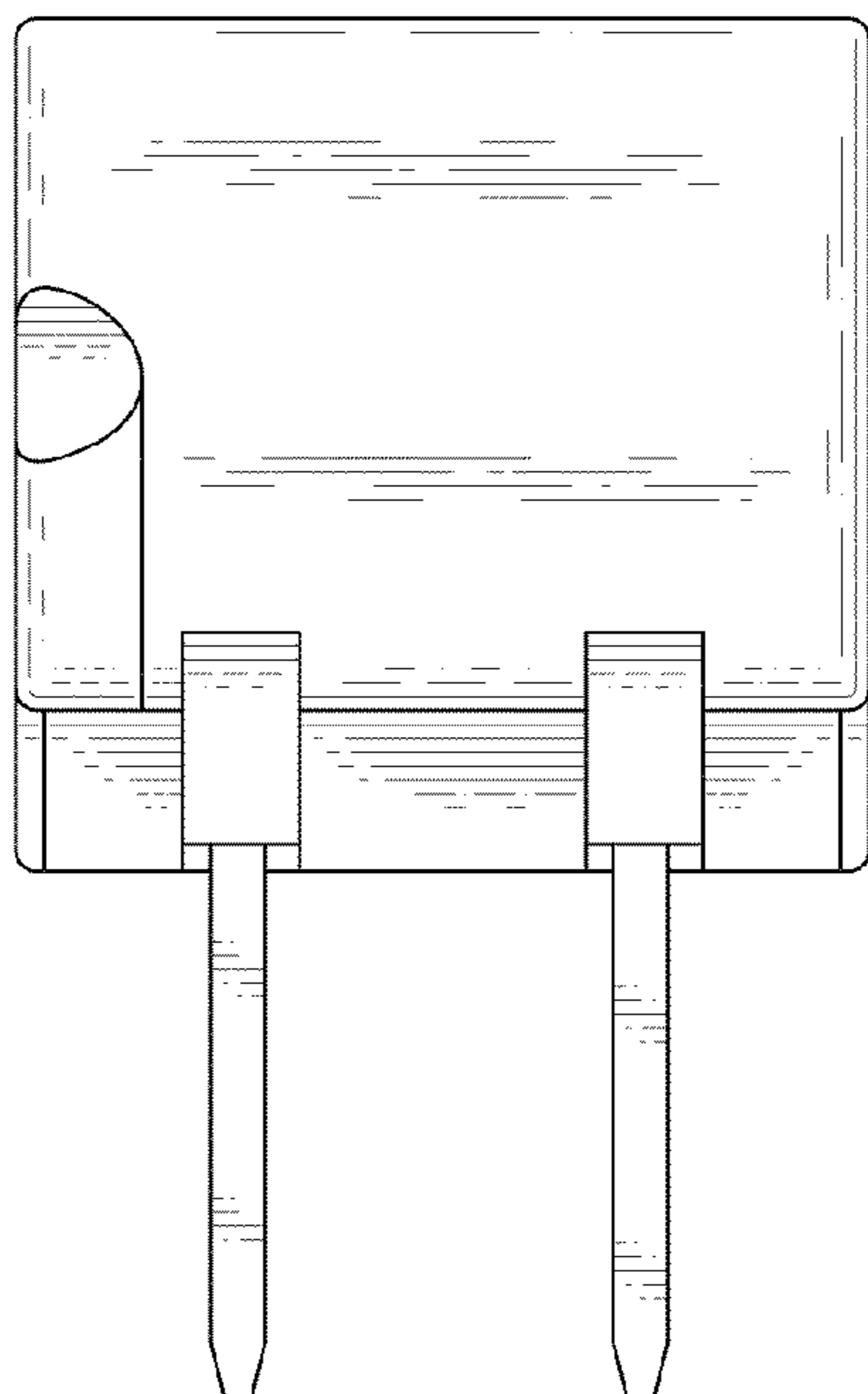


Fig. 3

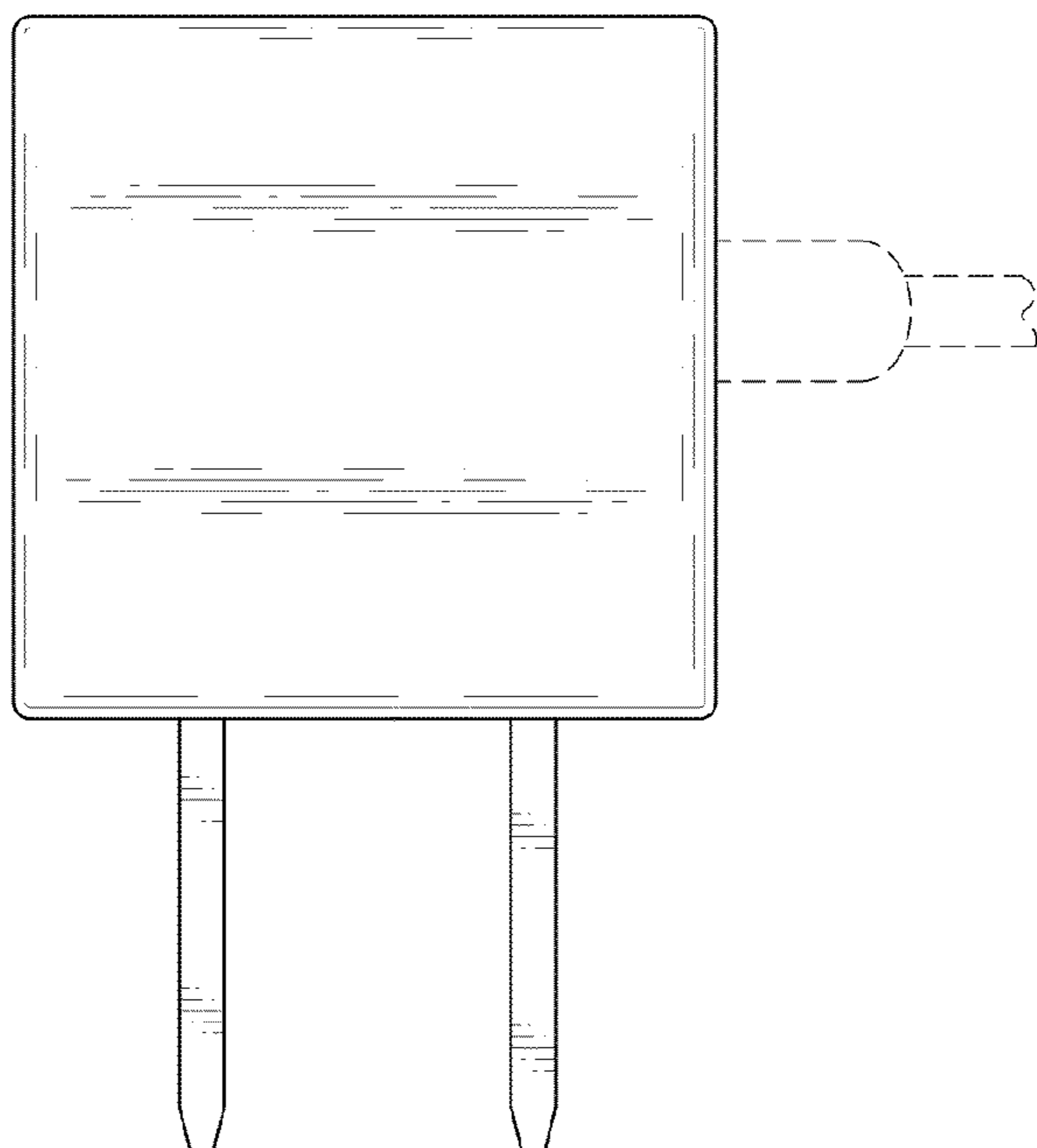


Fig. 4

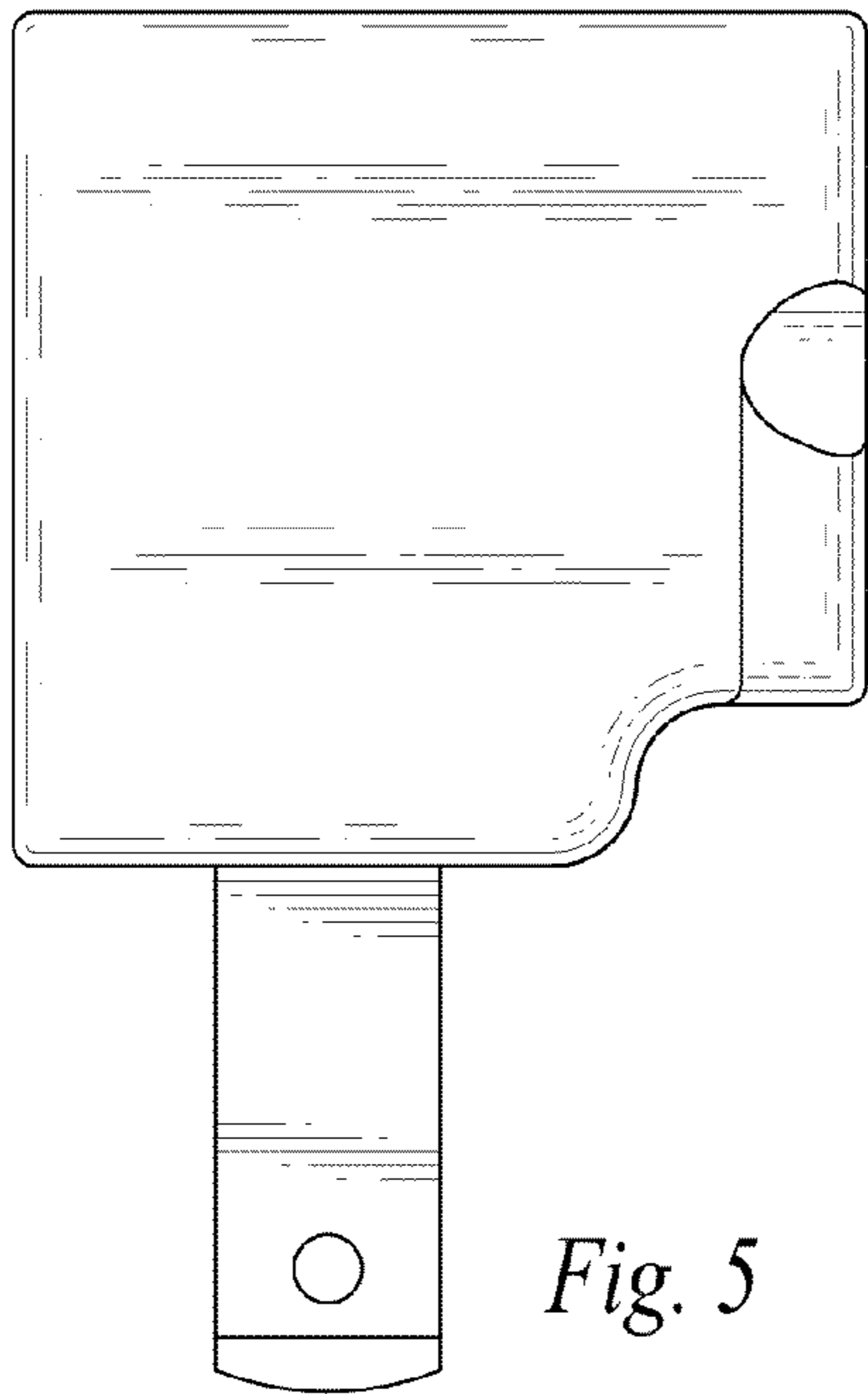


Fig. 5

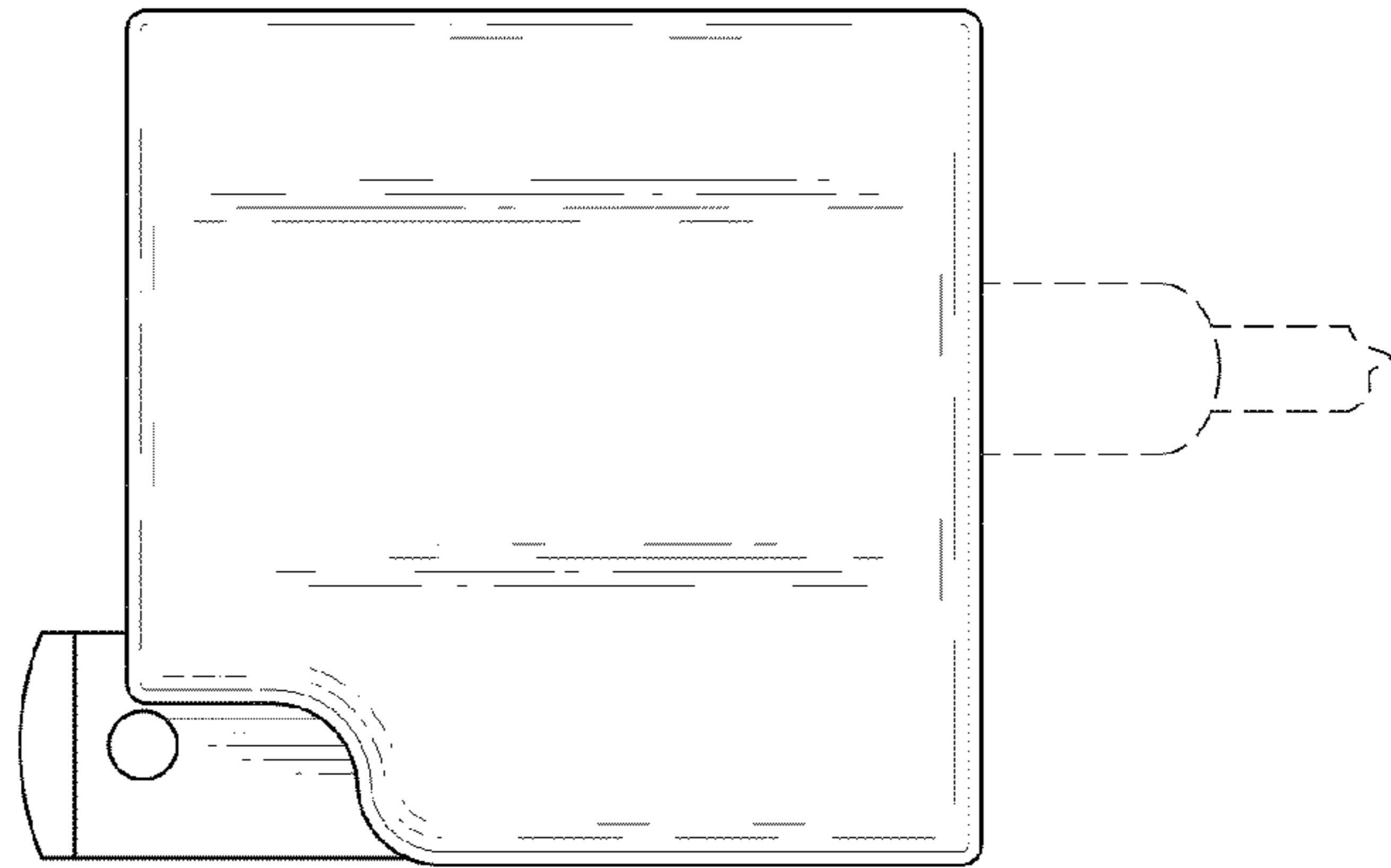


Fig. 6

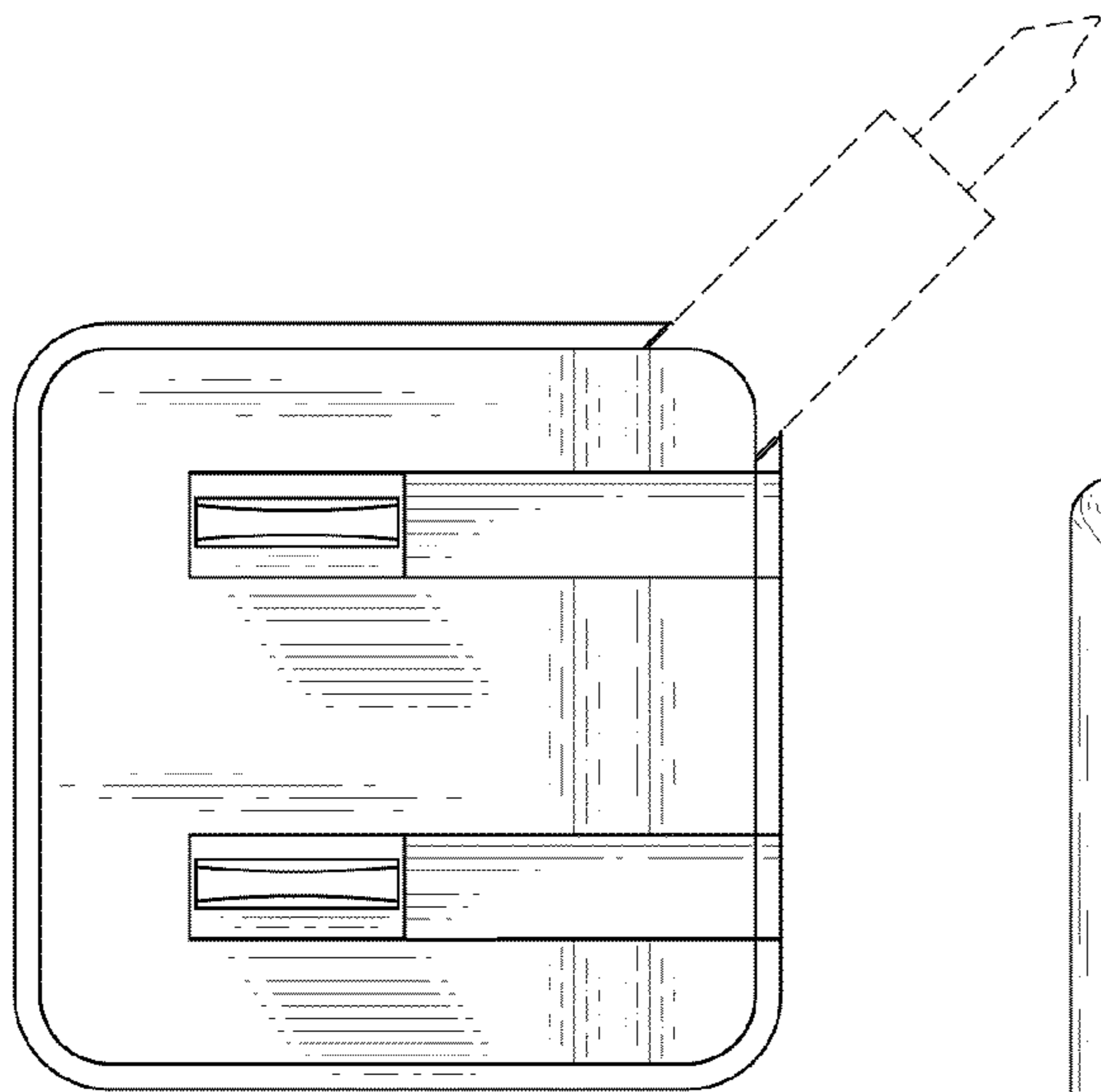


Fig. 7

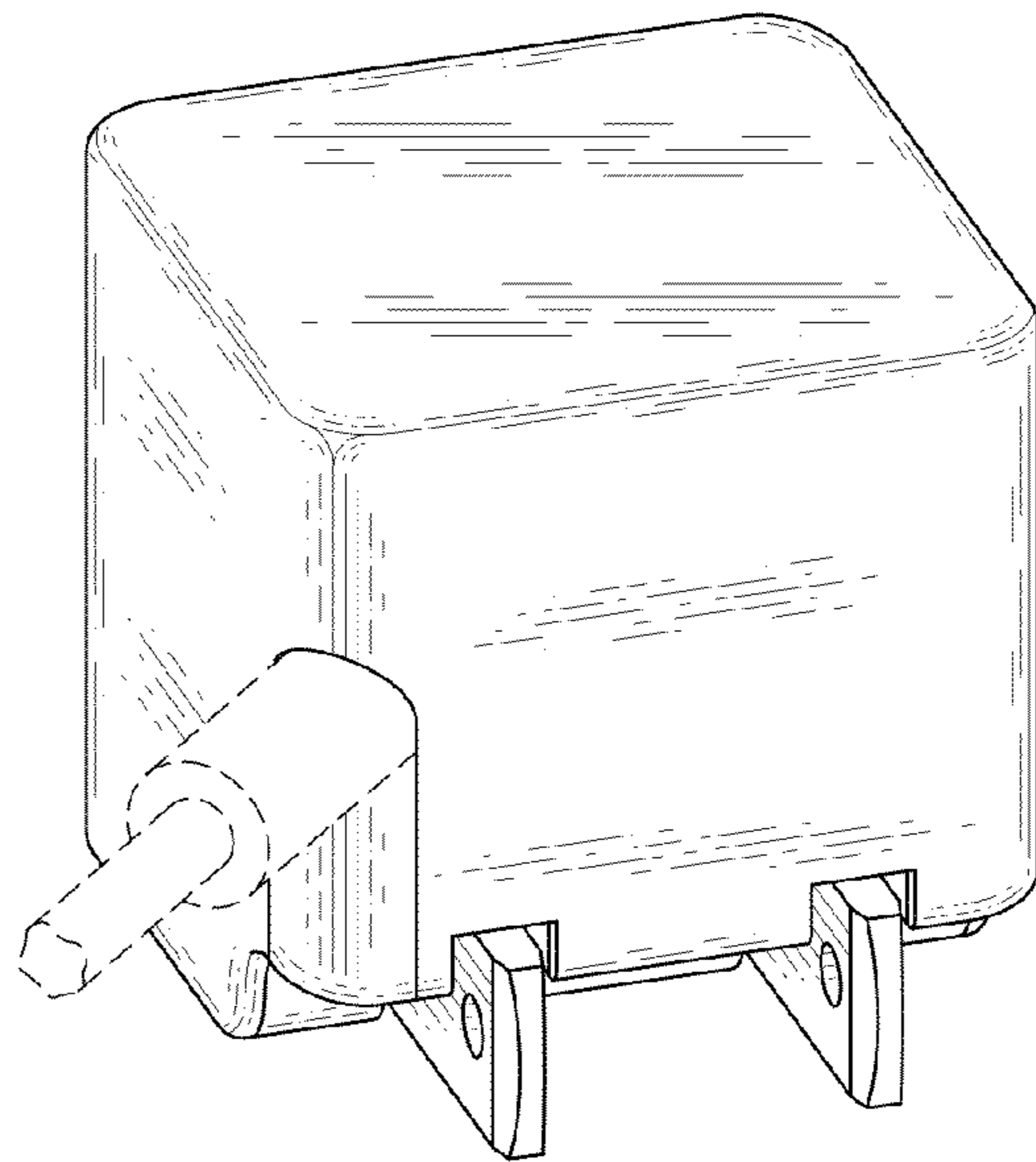


Fig. 8