



US00D741251S

(12) **United States Design Patent**
Honda

(10) **Patent No.:** **US D741,251 S**

(45) **Date of Patent:** **** Oct. 20, 2015**

(54) **AUTOMOBILE TIRE**

(71) Applicant: **THE YOKOHAMA RUBBER CO., LTD.**, Minato-ku, Tokyo (JP)

(72) Inventor: **Hiroaki Honda**, Hiratsuka (JP)

(73) Assignee: **THE YOKOHAMA RUBBER CO., LTD.**, Minato-ku, Tokyo (JP)

(**) Term: **14 Years**

(21) Appl. No.: **29/462,040**

(22) Filed: **Jul. 30, 2013**

(30) **Foreign Application Priority Data**

Feb. 1, 2013 (JP) 2013-002028

(51) **LOC (10) Cl.** **12-15**

(52) **U.S. Cl.**
USPC **D12/584**

(58) **Field of Classification Search**
USPC D12/568-602; 152/209.1-209.28, 455,
152/523

CPC B60C 1/00
See application file for complete search history.

(56) **References Cited**

U.S. PATENT DOCUMENTS

D347,812 S * 6/1994 Simpson D12/595
D648,265 S * 11/2011 Kim et al. D12/589

* cited by examiner

Primary Examiner — George D Kirschbaum
(74) *Attorney, Agent, or Firm* — Banner & Witcoff, Ltd.

(57) **CLAIM**

The ornamental design for an automobile tire, as shown and described.

DESCRIPTION

FIG. 1 is a perspective view of an automobile tire showing my new design;
FIG. 2 is a front view thereof;
FIG. 3 is a rear view thereof;
FIG. 4 is a left side view thereof;
FIG. 5 is a right side view thereof;
FIG. 6 is a top plan view thereof;
FIG. 7 is a bottom view thereof;
FIG. 8 is an enlarged view of a portion defined by lines 8-8 shown in FIG. 2; and,
FIG. 9 is a sectional view taken along lines 9-9 shown in FIG. 8.

The broken lines shown are included for the purpose of illustrating the unclaimed portions of the automobile tire and form no part of the claimed design.

1 Claim, 9 Drawing Sheets

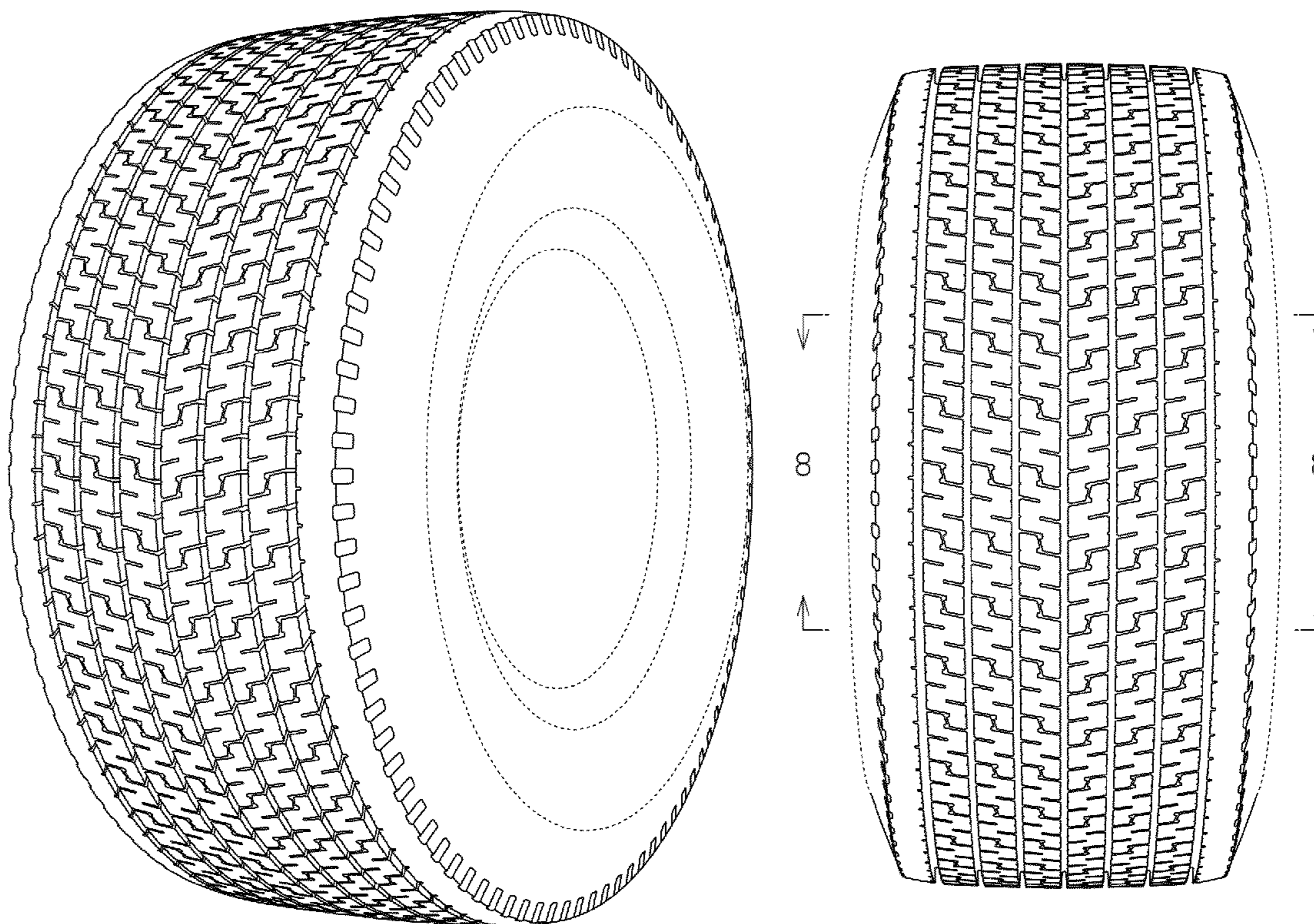


Fig. 1

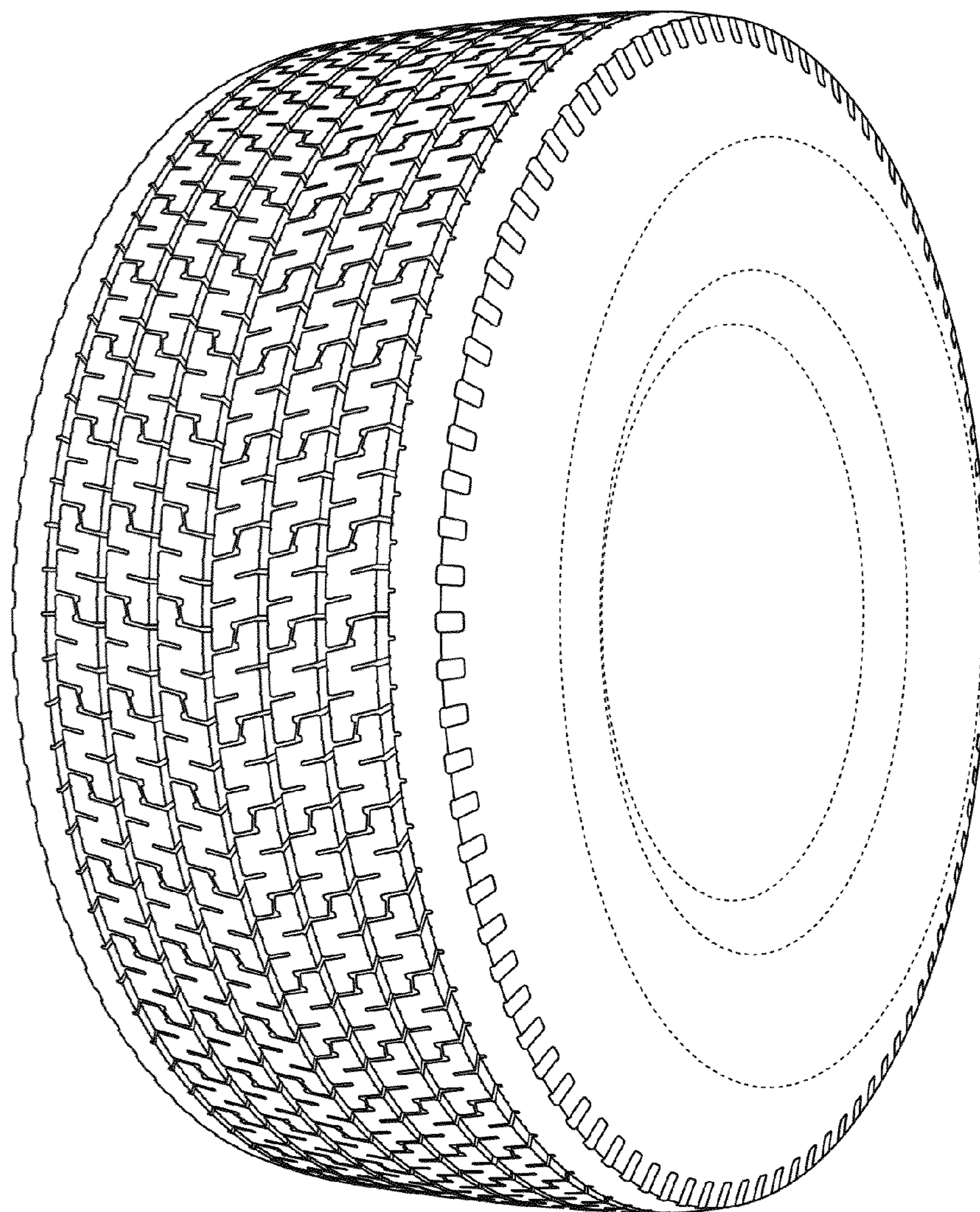


Fig. 2

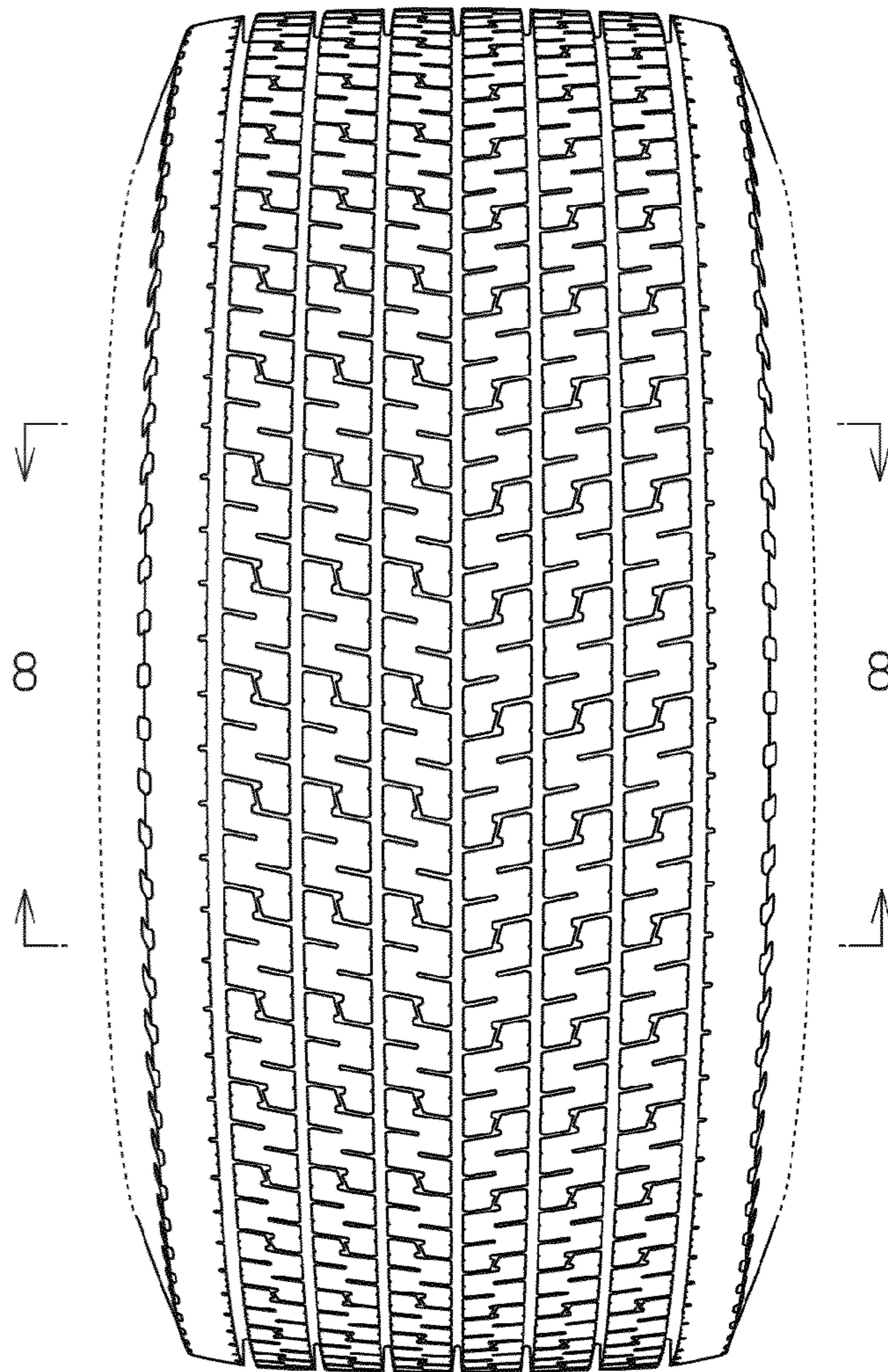


Fig. 3

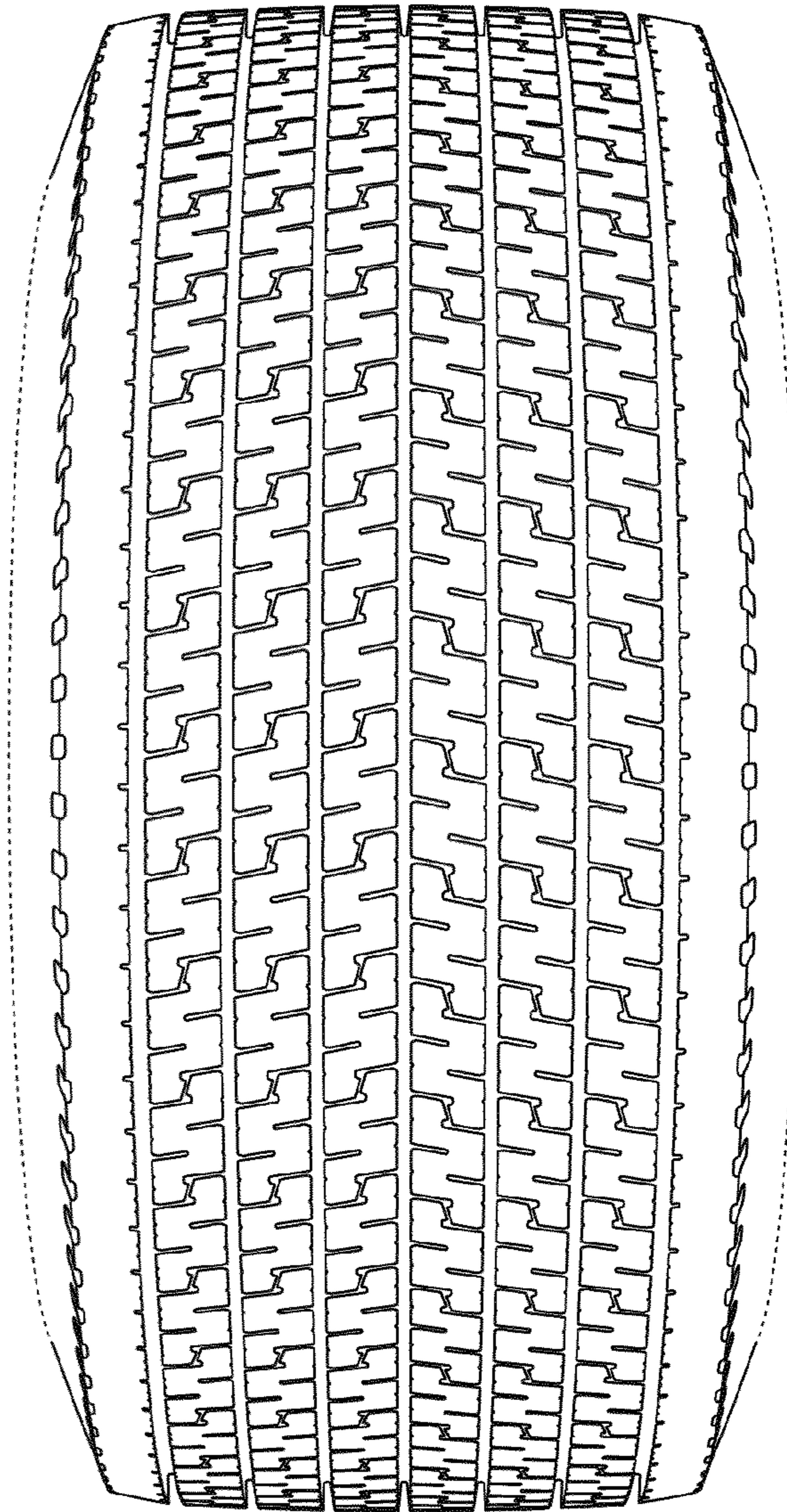


Fig. 4

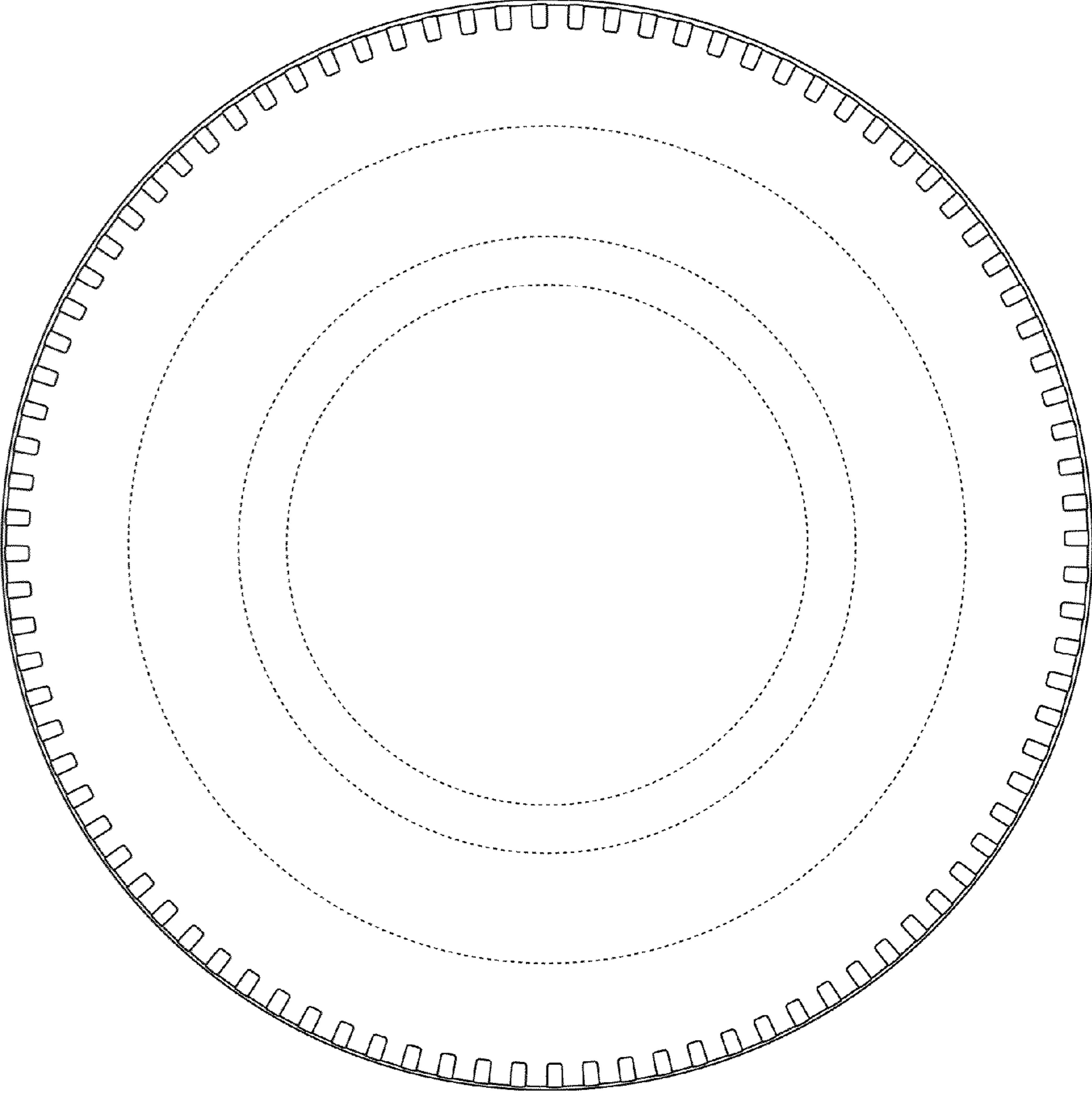


Fig. 5

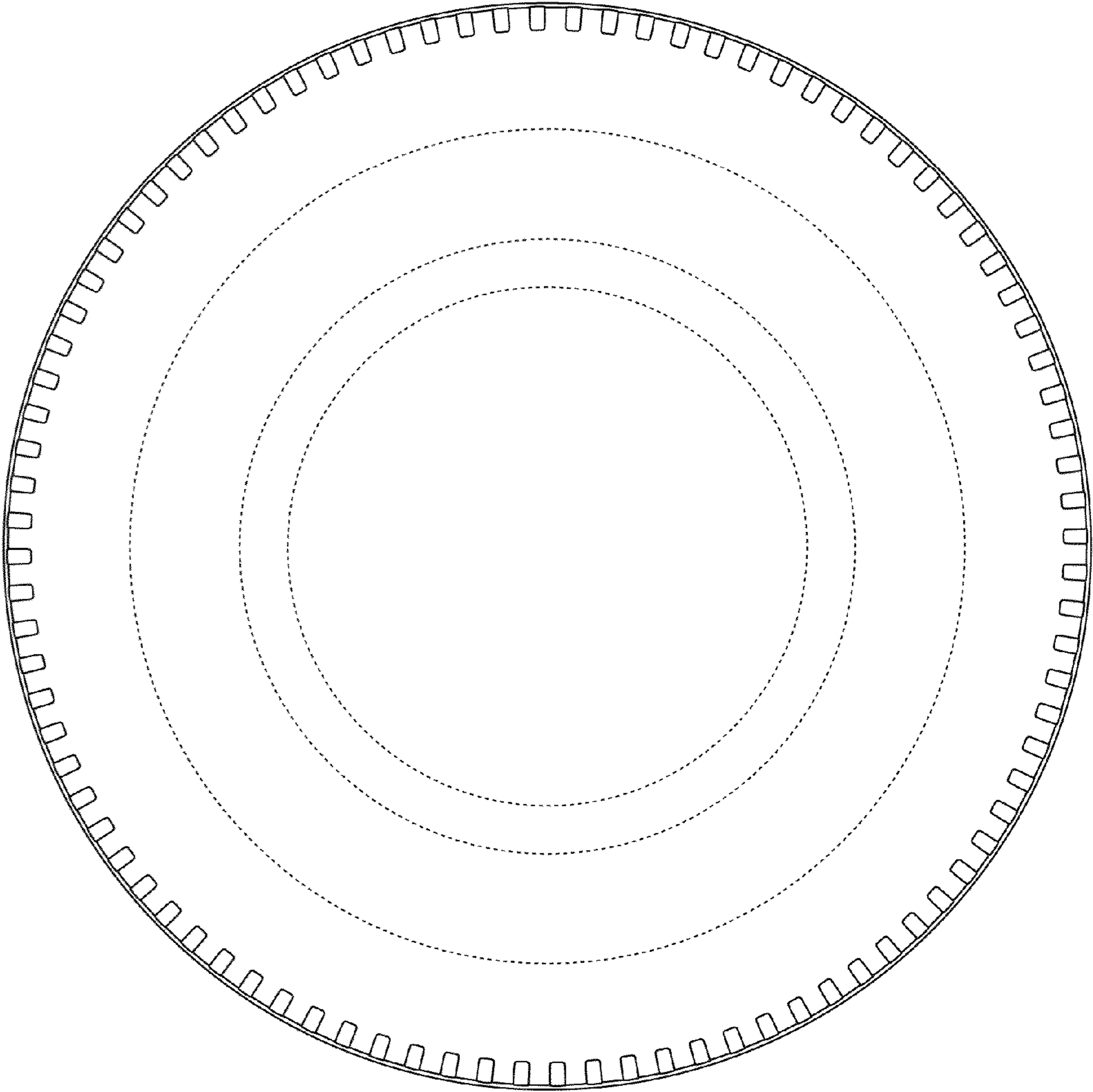


Fig. 6

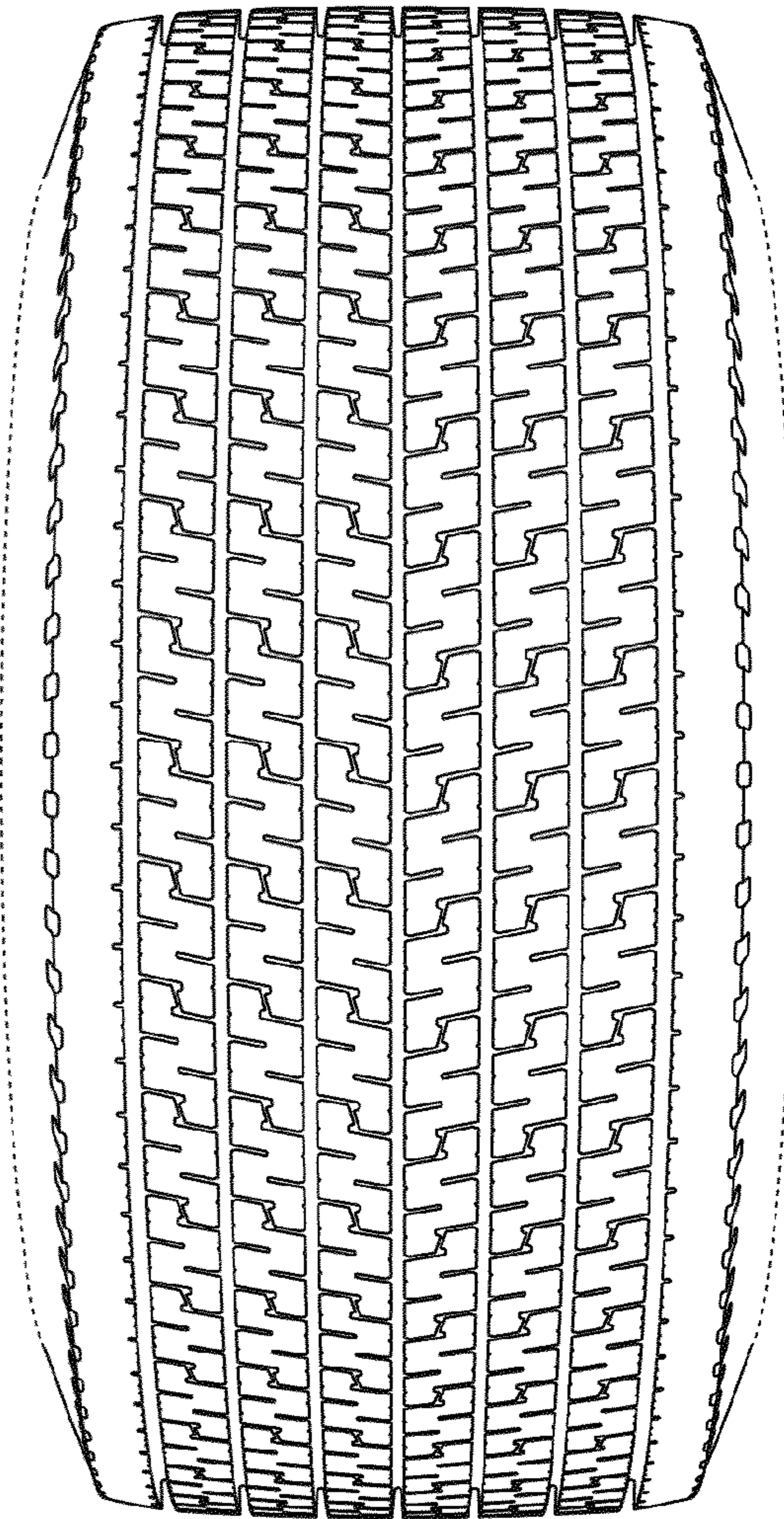


Fig. 7

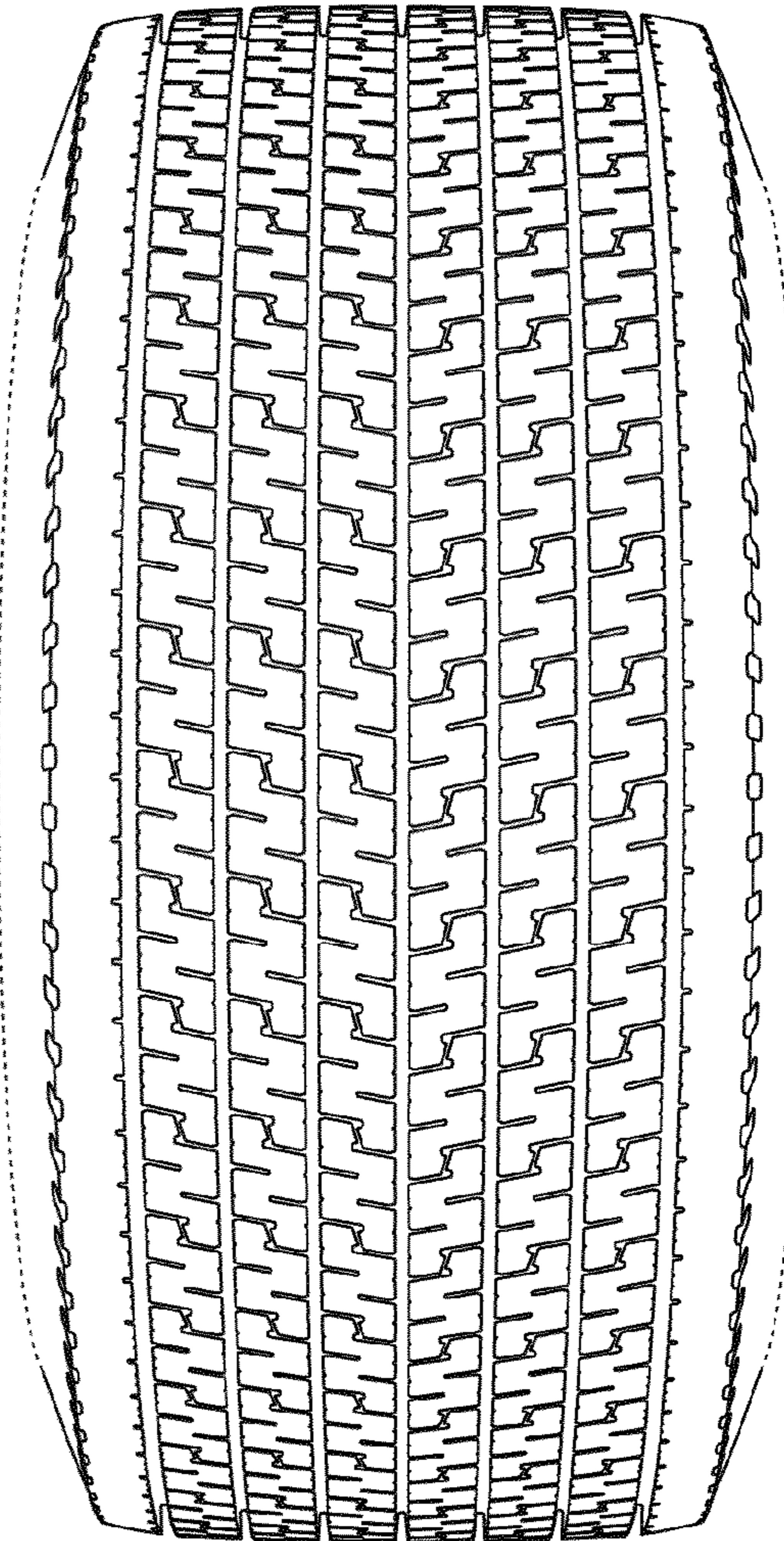


Fig. 8

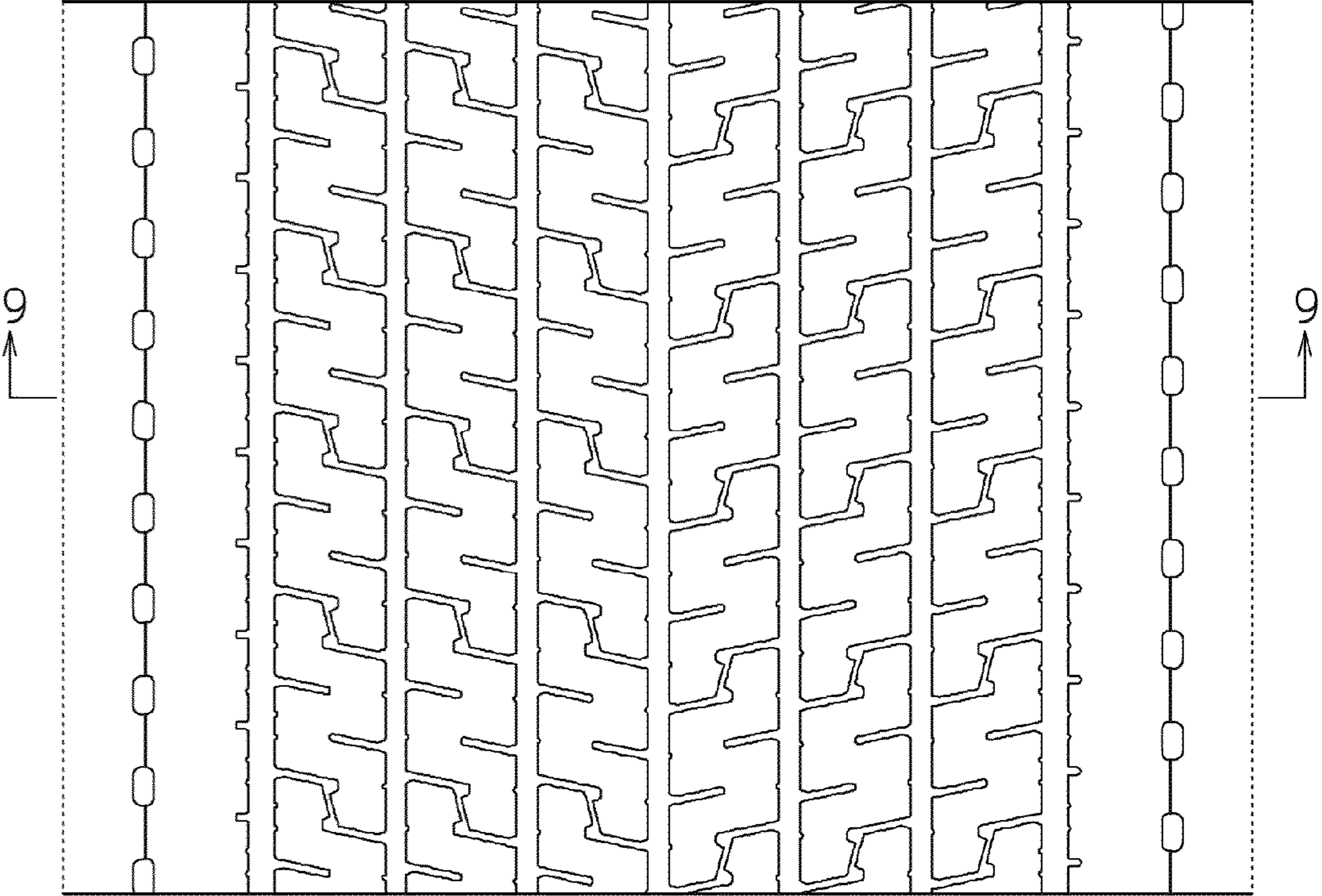


Fig. 9

