



US00D741244S

(12) **United States Design Patent**
Zhao

(10) **Patent No.:** **US D741,244 S**

(45) **Date of Patent:** **** Oct. 20, 2015**

(54) **AUTOMOBILE WHEEL**

(71) Applicant: **John Zhao**, Monterey Park, CA (US)

(72) Inventor: **John Zhao**, Monterey Park, CA (US)

(73) Assignee: **Wah Hung Group Inc.**, Monterey Park, CA (US)

(**) Term: **14 Years**

(21) Appl. No.: **29/506,248**

(22) Filed: **Oct. 14, 2014**

(51) **LOC (10) Cl.** **12-16**

(52) **U.S. Cl.**
USPC **D12/211**

(58) **Field of Classification Search**
USPC D12/204–213
CPC B60B 7/00; B60B 7/02; B60B 7/04;
B60B 7/01; B60B 7/06; B60B 3/02; B60B
3/04; B60B 3/06; B60B 3/10; B60B 1/00;
B60B 1/08; B60B 1/10; B60B 1/12
See application file for complete search history.

(56) **References Cited**

U.S. PATENT DOCUMENTS

D416,534 S	*	11/1999	Couzyn et al.	D12/211
D449,267 S	*	10/2001	Fitzgerald	D12/211
D481,984 S	*	11/2003	Sulahian	D12/211
D512,361 S	*	12/2005	Cornell	D12/211
D536,655 S	*	2/2007	Kim	D12/211

D548,164 S	*	8/2007	Young	D12/211
D555,066 S	*	11/2007	Hernandez	D12/211
D617,721 S	*	6/2010	Zhao	D12/211
D631,815 S	*	2/2011	Foose	D12/211
D653,189 S	*	1/2012	Zhao	D12/211
D653,599 S	*	2/2012	Zhao	D12/211
D656,451 S	*	3/2012	Zhao	D12/211
D680,048 S	*	4/2013	Zhao	D12/211
D682,765 S	*	5/2013	Alfonso	D12/211
D683,686 S	*	6/2013	Alfonso	D12/211
D683,688 S	*	6/2013	Alfonso	D12/211
D684,518 S	*	6/2013	Zhao	D12/211

* cited by examiner

Primary Examiner — Stacia Cadmus

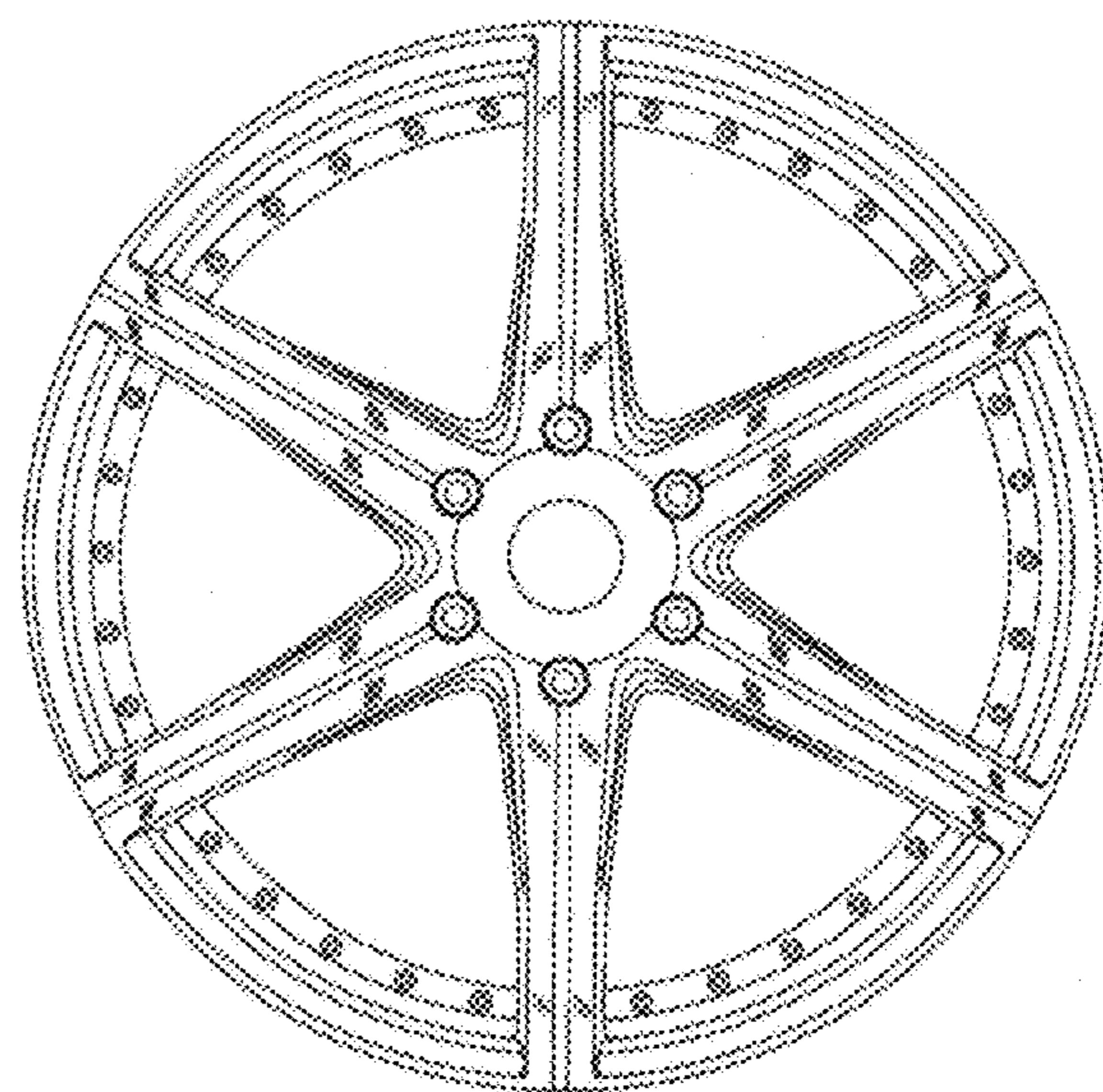
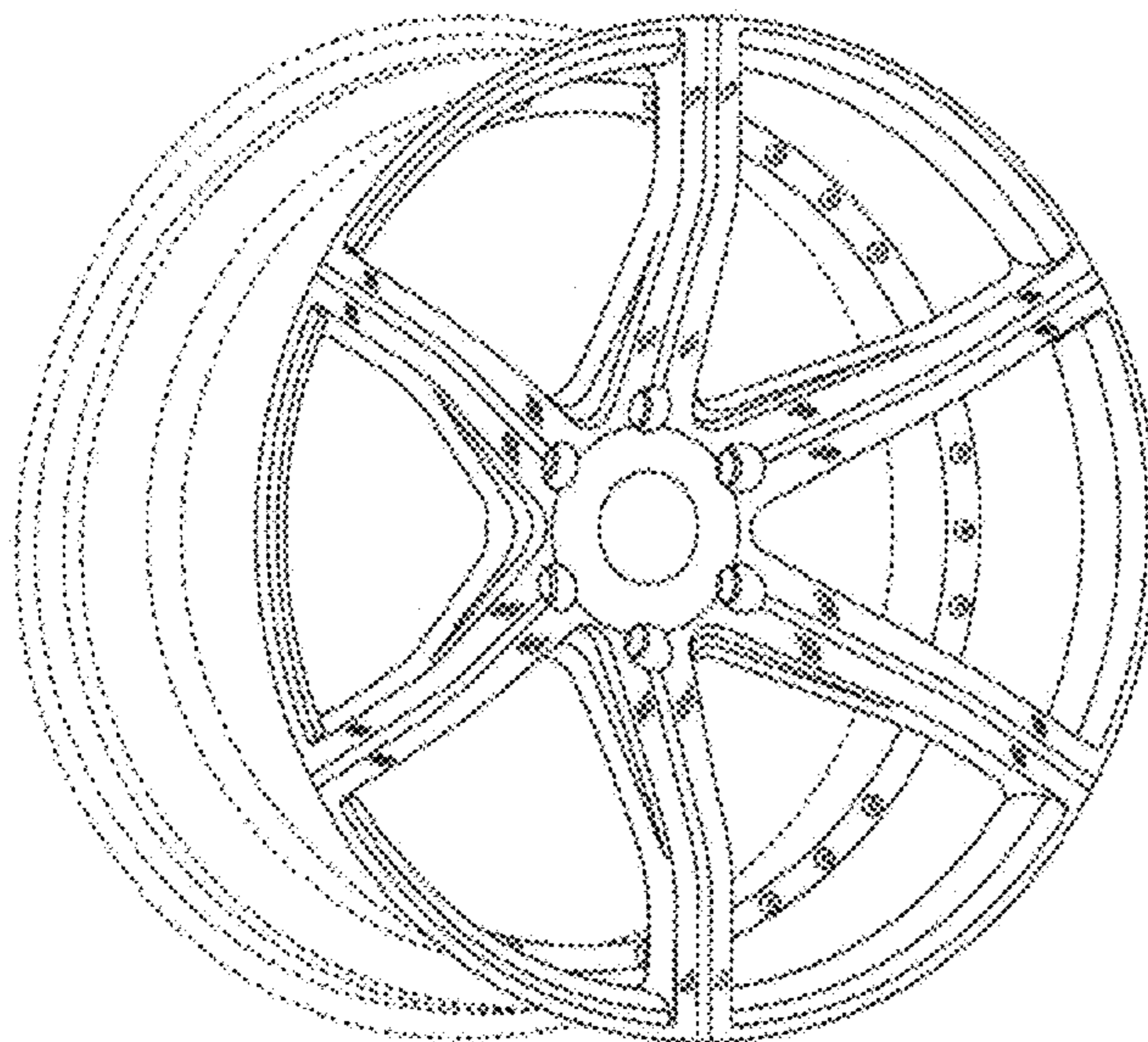
(57) **CLAIM**

I claim the ornamental design for an automobile wheel, as shown and described.

DESCRIPTION

FIG. 1 is a perspective view of an automobile wheel according to the claimed design; and, FIG. 2 is a front elevational view of an automobile wheel according to the claimed design. The ornamental design which is claimed is shown in solid lines in the drawings. The broken lines in the drawings are for illustrative purposes only and form no part of the claimed design.

1 Claim, 2 Drawing Sheets



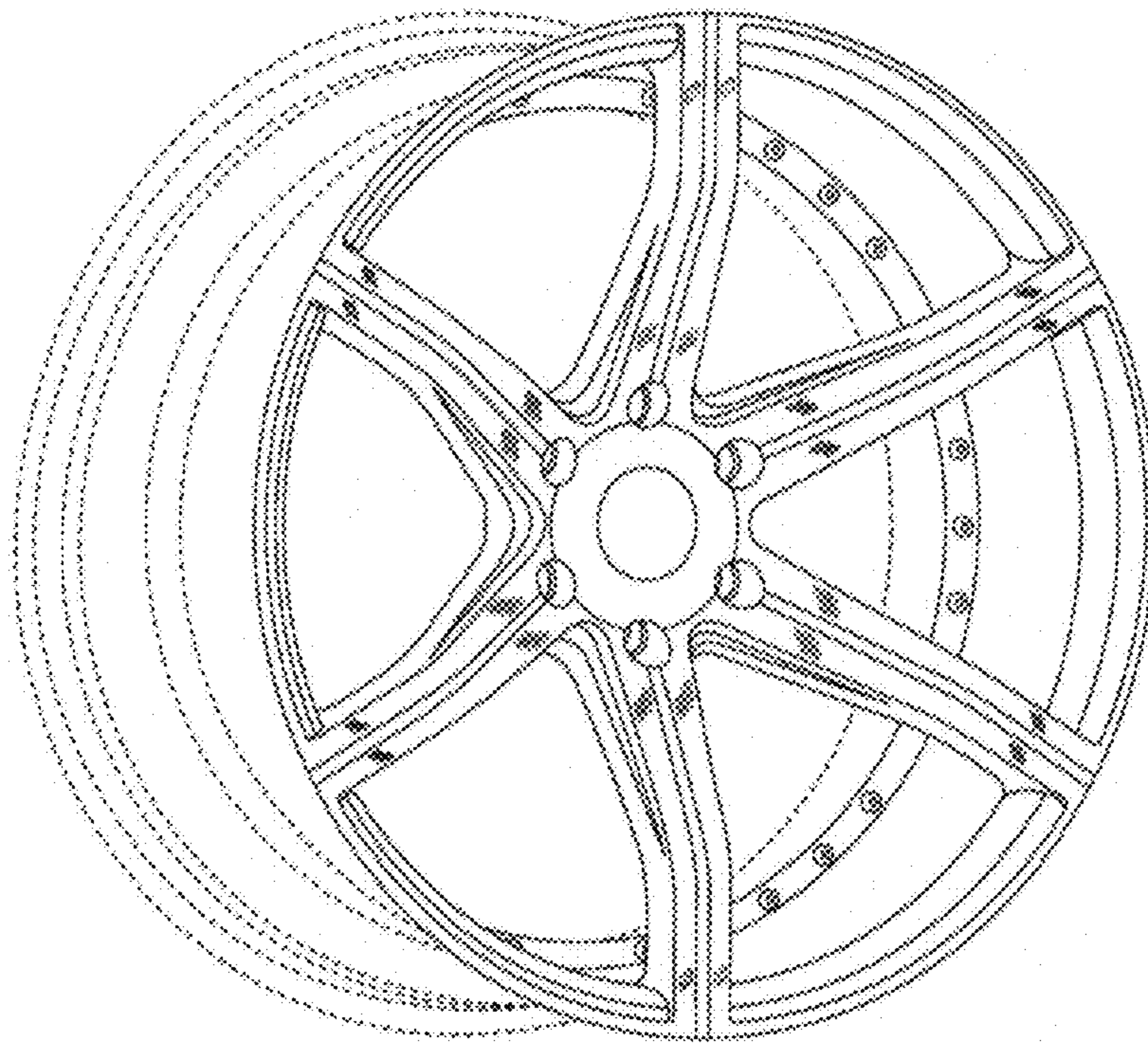


FIG. 1

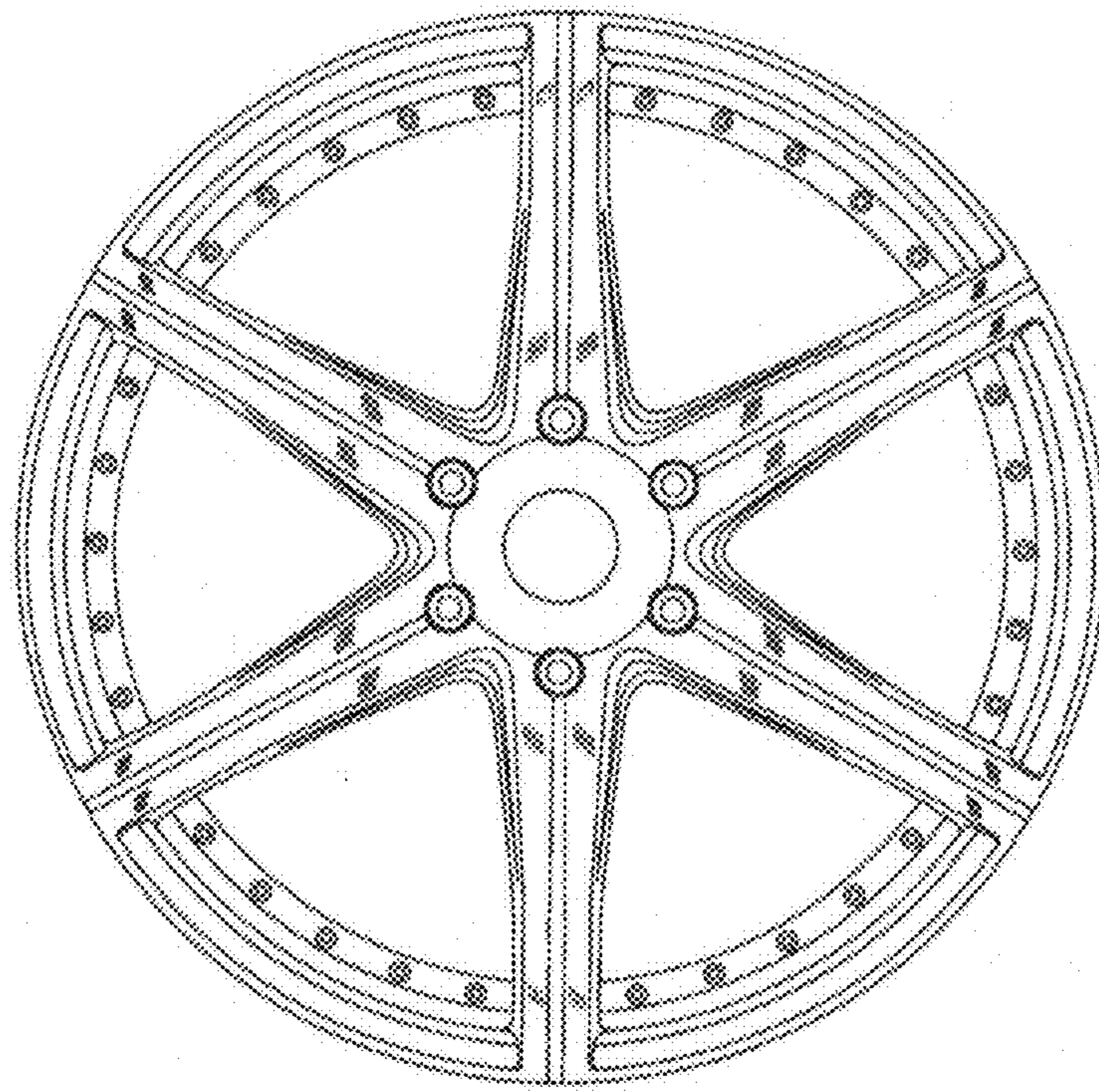


FIG. 2