



US00D741243S

(12) **United States Design Patent**  
**Zhao**

(10) **Patent No.:** **US D741,243 S**  
(45) **Date of Patent:** **\*\* Oct. 20, 2015**

(54) **AUTOMOBILE WHEEL**

(71) Applicant: **John Zhao**, Monterey Park, CA (US)

(72) Inventor: **John Zhao**, Monterey Park, CA (US)

(73) Assignee: **Wah Hung Group Inc.**, Monterey Park, CA (US)

(\*\*) Term: **14 Years**

(21) Appl. No.: **29/506,237**

(22) Filed: **Oct. 14, 2014**

(51) **LOC (10) Cl.** ..... **12-16**

(52) **U.S. Cl.**  
USPC ..... **D12/211**

(58) **Field of Classification Search**  
USPC ..... D12/204–213  
CPC ..... B60B 7/00; B60B 7/02; B60B 7/04;  
B60B 7/01; B60B 7/06; B60B 3/02; B60B  
3/04; B60B 3/06; B60B 3/10; B60B 1/00;  
B60B 1/08; B60B 1/10; B60B 1/12  
See application file for complete search history.

(56) **References Cited**

**U.S. PATENT DOCUMENTS**

D214,620 S \* 7/1969 Barris ..... D12/211  
D460,941 S \* 7/2002 Muzzarelli ..... D12/211  
D555,568 S \* 11/2007 Hetrick ..... D12/211

D578,459 S \* 10/2008 Hetrick ..... D12/211  
D579,398 S \* 10/2008 Kim ..... D12/211  
D585,808 S \* 2/2009 Hetrick ..... D12/211  
D596,100 S \* 7/2009 Aroney ..... D12/211  
D603,778 S \* 11/2009 Chung ..... D12/211  
D617,721 S \* 6/2010 Zhao ..... D12/211  
D624,478 S \* 9/2010 Zhao ..... D12/211  
D633,846 S \* 3/2011 Johnson ..... D12/211  
D638,772 S \* 5/2011 Hans et al. .... D12/211  
D656,450 S \* 3/2012 Zhao ..... D12/211  
D682,766 S \* 5/2013 Zhao ..... D12/211  
D683,688 S \* 6/2013 Alfonso ..... D12/211

\* cited by examiner

*Primary Examiner* — Stacia Cadmus

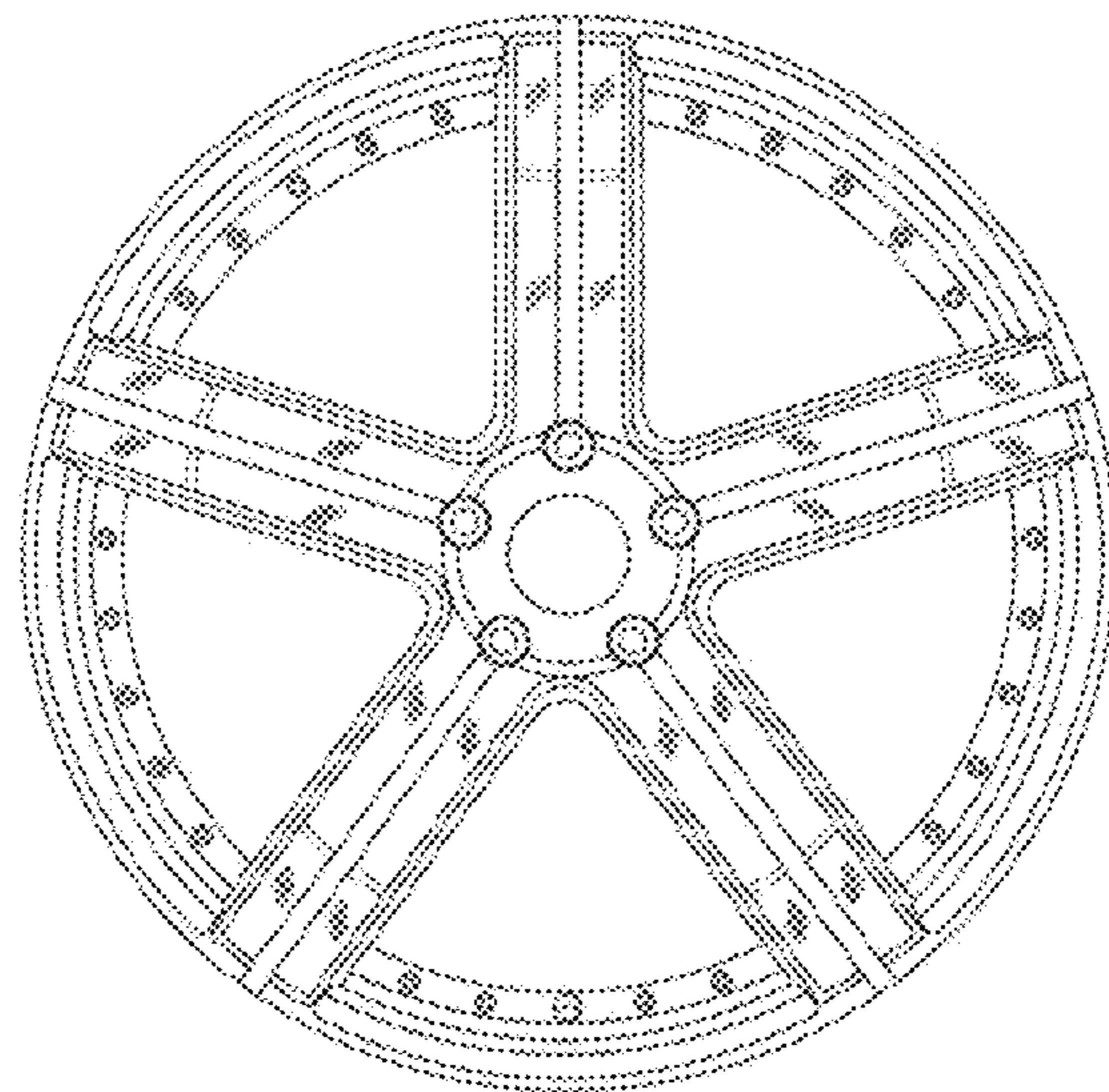
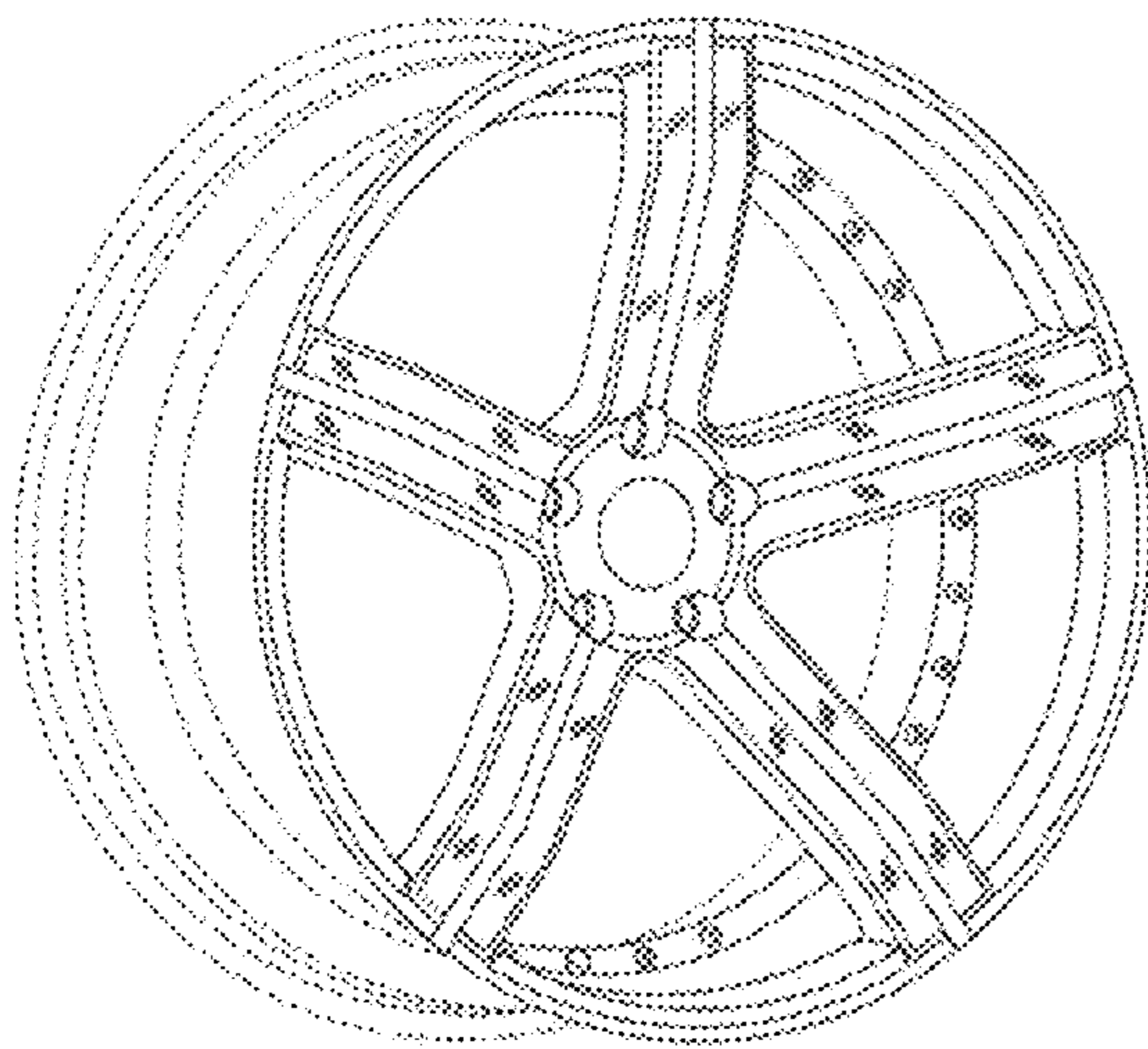
(57) **CLAIM**

I claim the ornamental design for an automobile wheel, as shown and described.

**DESCRIPTION**

FIG. 1 is a perspective view of an automobile wheel according to the claimed design; and,  
FIG. 2 is a front elevational view of an automobile wheel according to the claimed design.  
The ornamental design which is claimed is shown in solid lines in the drawings. The broken lines in the drawings are for illustrative purposes only and form no part of the claimed design.

**1 Claim, 2 Drawing Sheets**



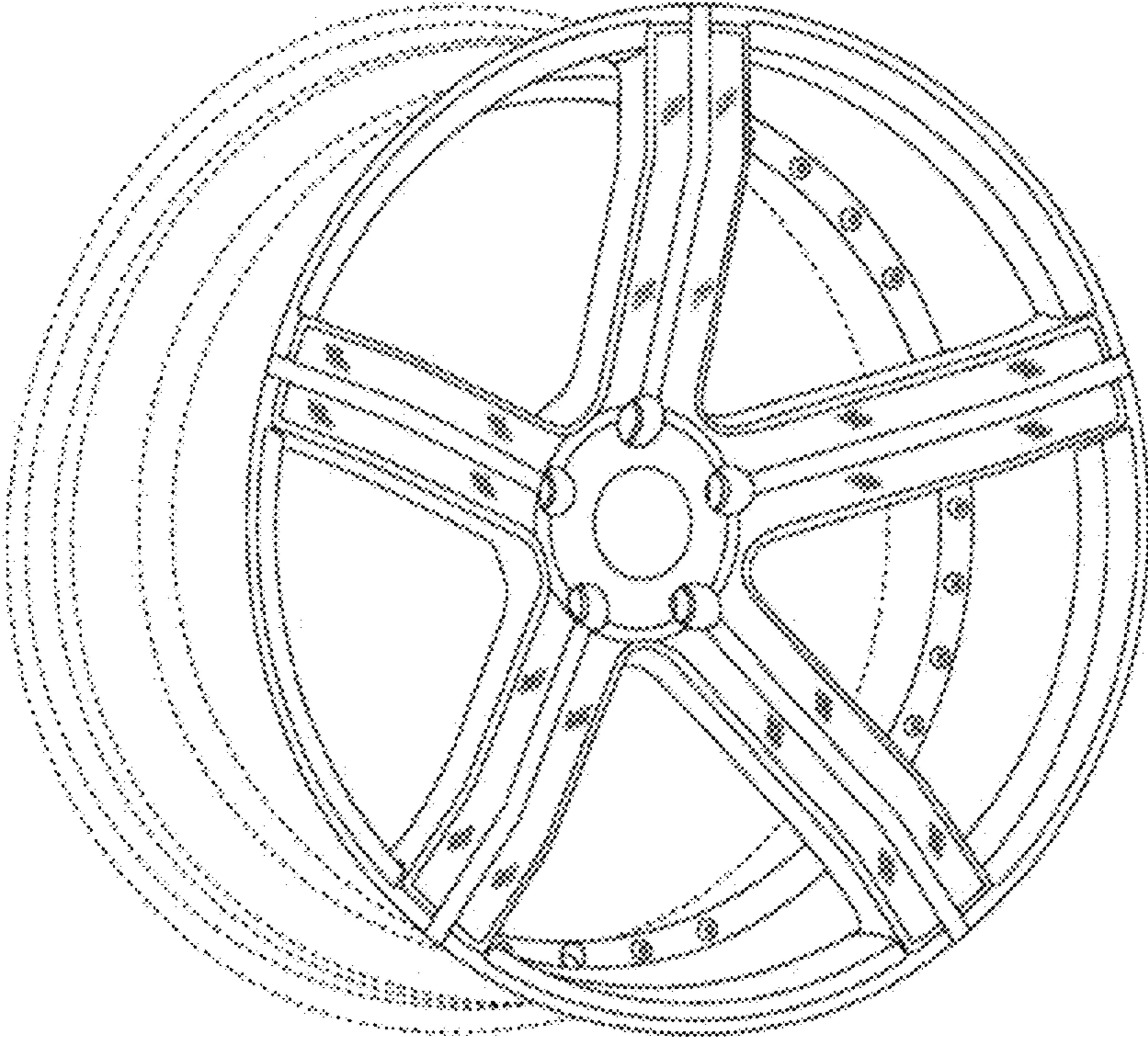


FIG. 1

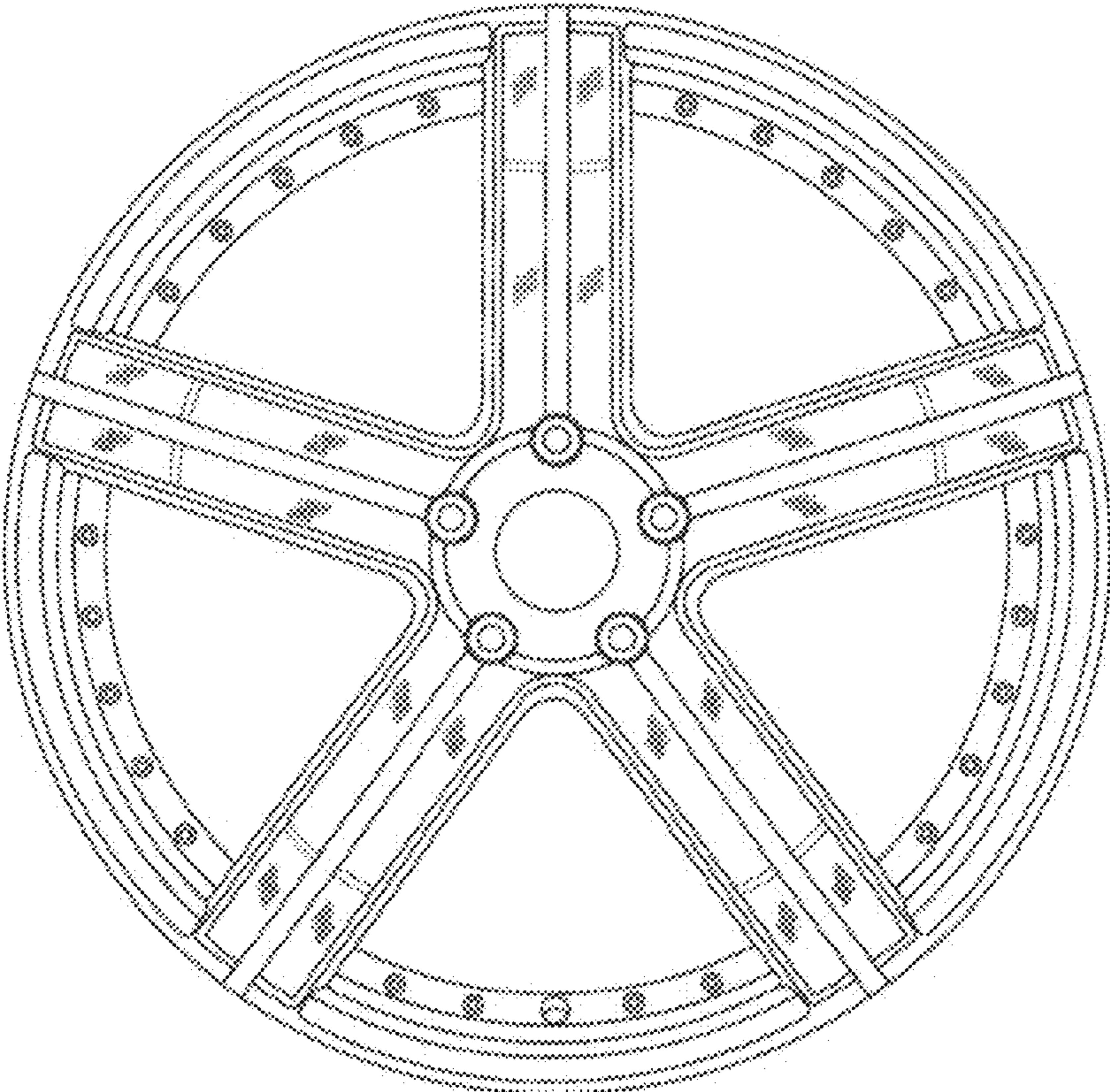


FIG. 2