



US00D741241S

(12) **United States Design Patent**
Hale, Jr.

(10) **Patent No.:** **US D741,241 S**
(45) **Date of Patent:** **** Oct. 20, 2015**

- (54) **VEHICLE-WHEEL FRONT FACE**
- (71) Applicant: **Mobile Hi-Tech Wheels, Rancho Dominguez, CA (US)**
- (72) Inventor: **Arthur D. Hale, Jr., Long Beach, CA (US)**
- (73) Assignee: **Mobile Hi-Tech Wheels, Rancho Dominguez, CA (US)**
- (**) Term: **14 Years**
- (21) Appl. No.: **29/459,538**
- (22) Filed: **Jul. 1, 2013**
- (51) **LOC (10) Cl.** **12-16**
- (52) **U.S. Cl.**
USPC **D12/211**
- (58) **Field of Classification Search**
USPC D12/204–213
CPC B60B 7/00; B60B 7/02; B60B 7/04;
B60B 7/01; B60B 7/06; B60B 3/02; B60B 3/04;
B60B 3/06; B60B 3/10; B60B 1/00;
B60B 1/08; B60B 1/10; B60B 1/12
See application file for complete search history.

D466,067 S *	11/2002	Muzzarelli	D12/211
D480,038 S *	9/2003	Oh	D12/211
D486,112 S *	2/2004	Lecher	D12/211
D487,419 S *	3/2004	Kim	D12/211
D515,996 S *	2/2006	Baumgartner	D12/209
D526,268 S *	8/2006	Pfeiffer	D12/211
D540,733 S *	4/2007	Castiglione	D12/211
D595,631 S *	7/2009	Musser	D12/211
D638,767 S *	5/2011	Groom	D12/211
D639,220 S *	6/2011	Zhao	D12/209
D641,302 S *	7/2011	Ettensberger	D12/211
D651,957 S *	1/2012	Chung	D12/209
D671,061 S *	11/2012	Dilber et al.	D12/211
D703,601 S *	4/2014	Chung	D12/211
D725,020 S *	3/2015	Kim	D12/211

* cited by examiner

Primary Examiner — Stacia Cadmus

(74) *Attorney, Agent, or Firm* — Christie, Parker & Hale LLP.

(57) **CLAIM**

The ornamental design for vehicle-wheel front face, as shown and described.

DESCRIPTION

FIG. 1 is a perspective view of a vehicle wheel front face according to my new design;
 FIG. 2 is a front elevational view thereof; and,
 FIG. 3 is a side elevational view thereof.
 The broken lines showing the side of the wheel and the bolts and bolt holes and center cap in the central hub area are included for the purpose of illustrating environment and form no part of the claimed design.

1 Claim, 3 Drawing Sheets

(56) **References Cited**

U.S. PATENT DOCUMENTS

D375,073 S *	10/1996	Theiss	D12/209
D412,149 S *	7/1999	Corioni	D12/211
D439,212 S *	3/2001	Neeper	D12/211
D459,690 S *	7/2002	Bintoro	D12/211
D466,066 S *	11/2002	Bintoro	D12/211

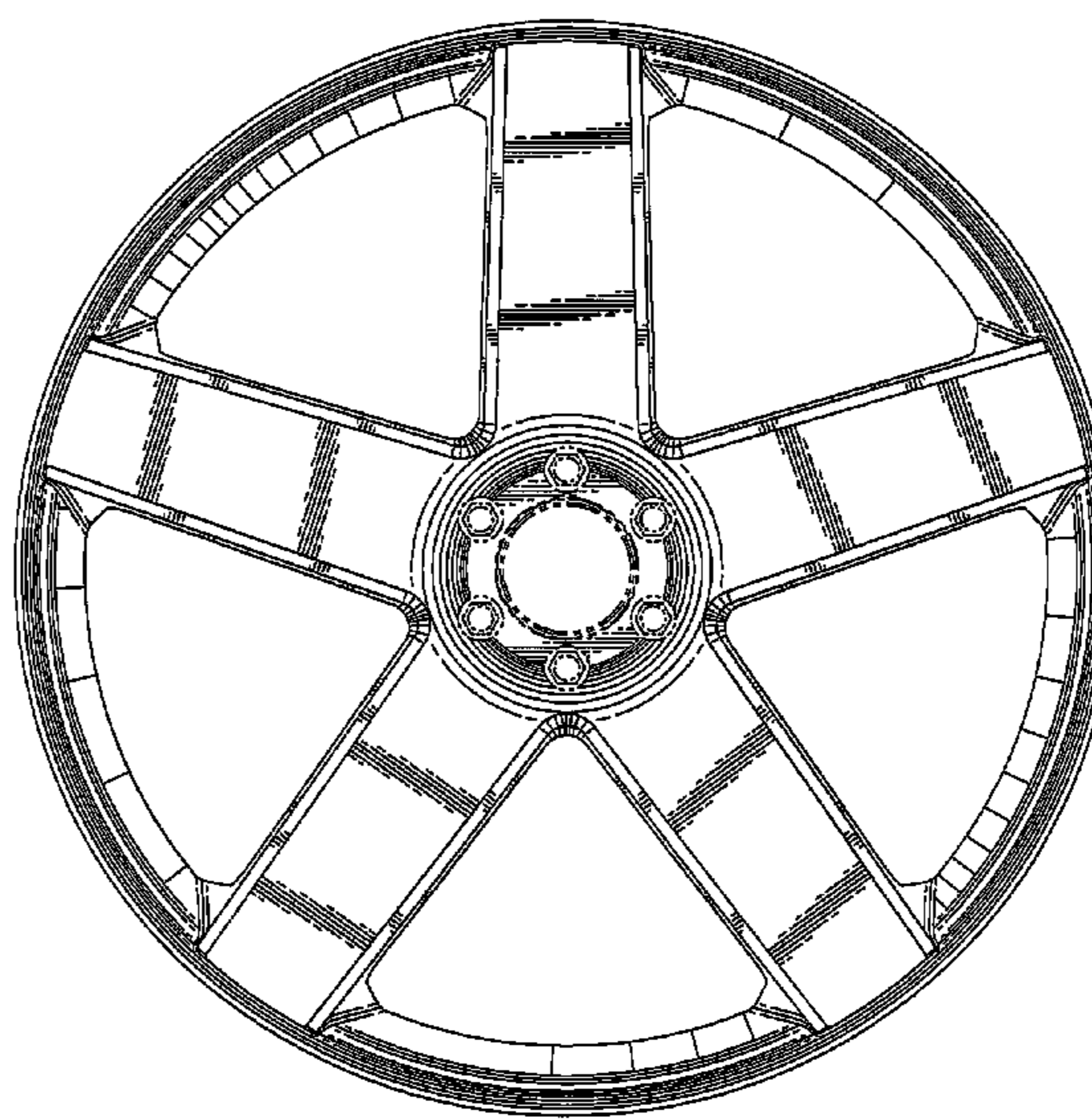
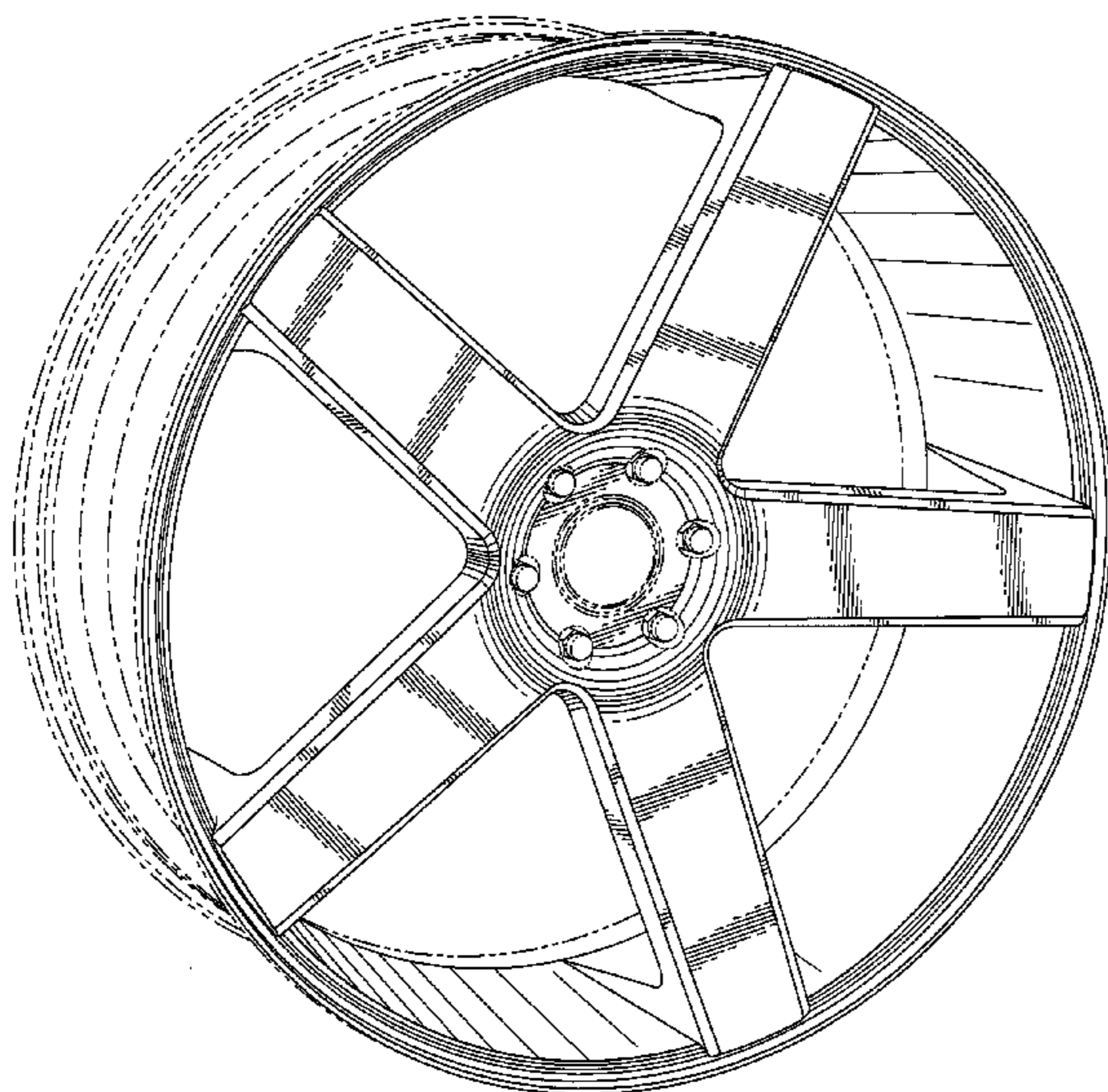


FIG. 1

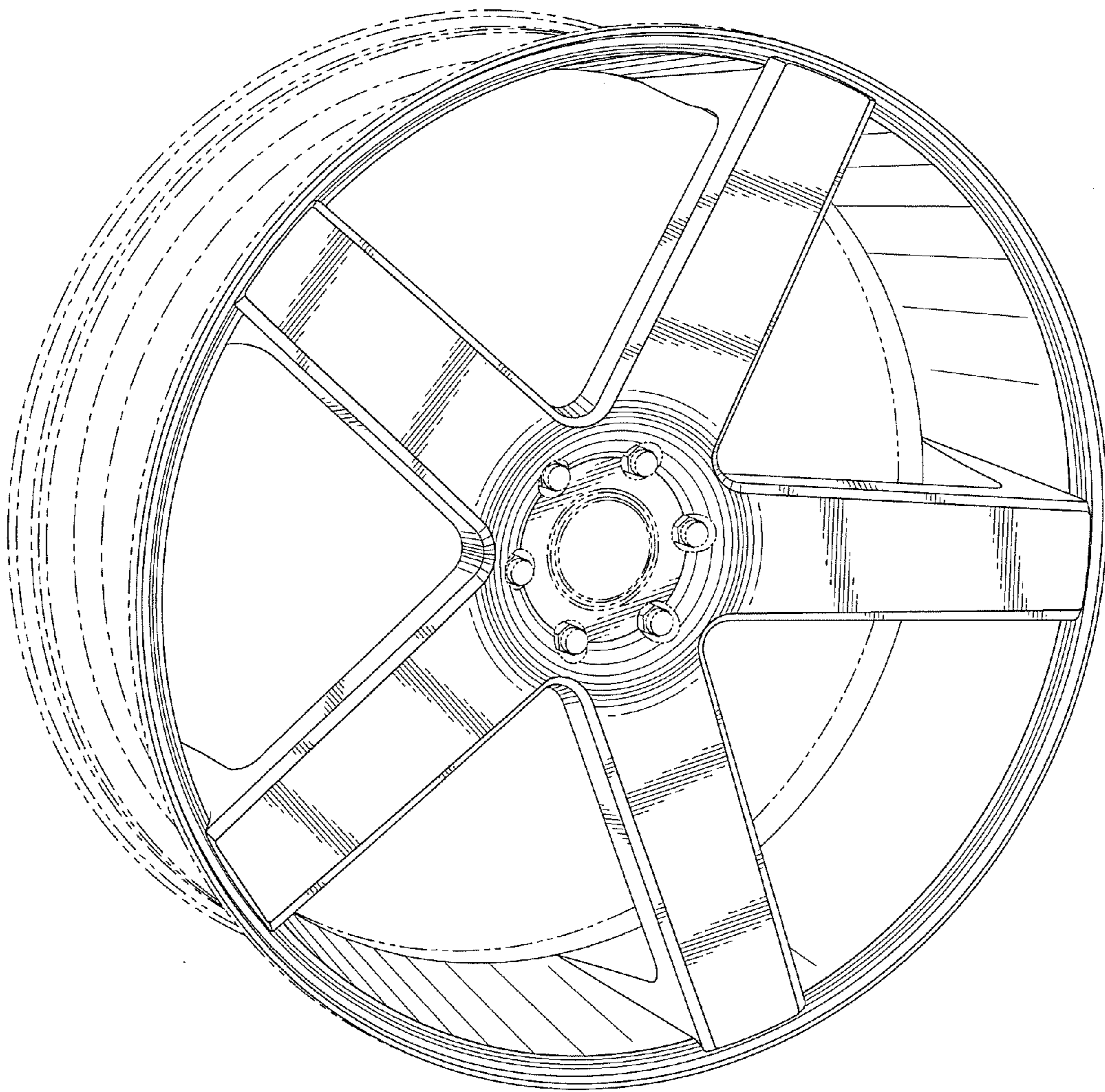


FIG. 2

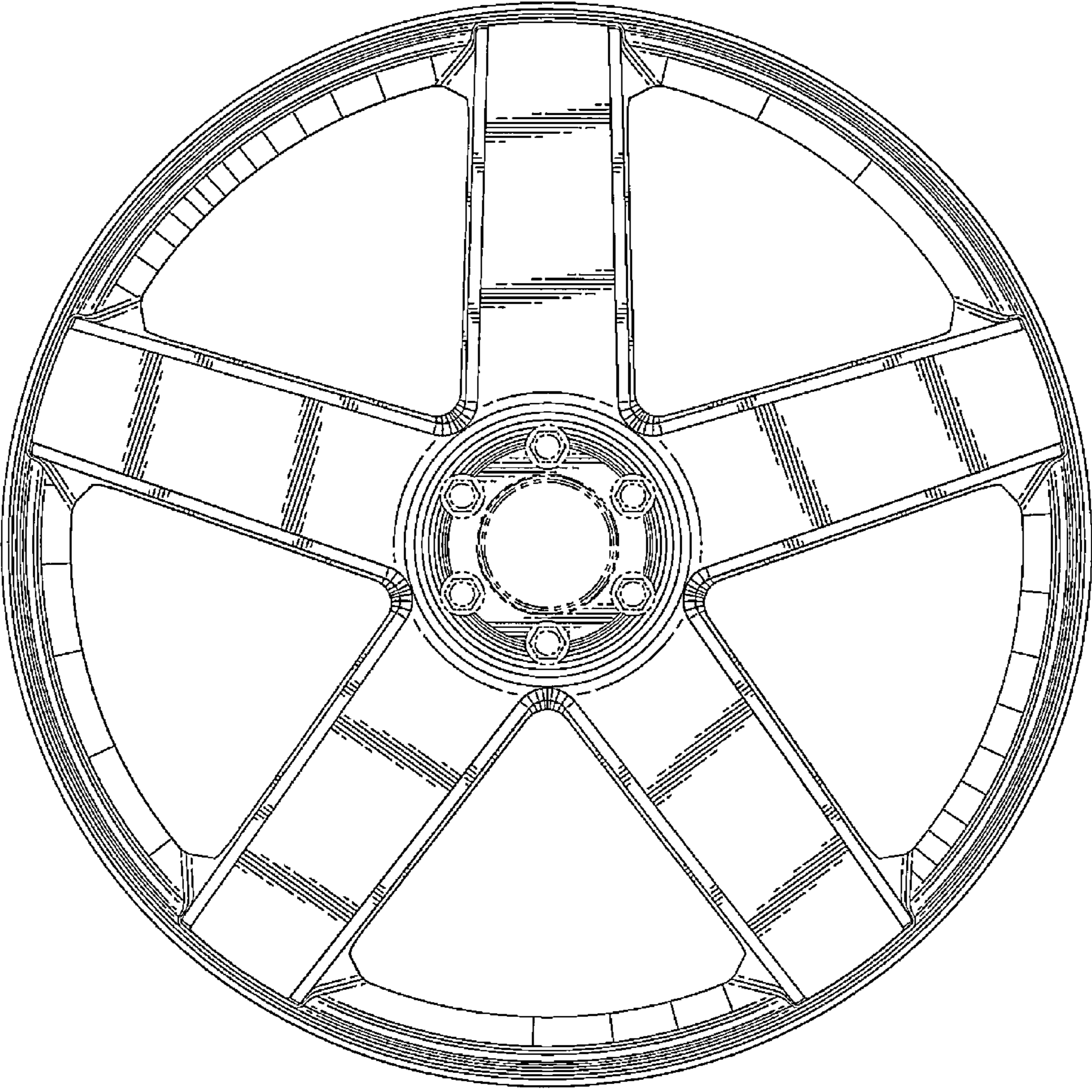


FIG. 3

