

US00D741239S

(12) **United States Design Patent**
Wagener

(10) **Patent No.:** **US D741,239 S**
(45) **Date of Patent:** **** Oct. 20, 2015**

(54) **WHEEL OR WHEEL COVER**

- (71) Applicant: **Daimler AG**, Stuttgart (DE)
- (72) Inventor: **Gorden Wagener**, Gaeufelden (DE)
- (73) Assignee: **Daimler AG**, Stuttgart (DE)
- (**) Term: **14 Years**
- (21) Appl. No.: **29/507,317**
- (22) Filed: **Oct. 27, 2014**

(30) **Foreign Application Priority Data**

Apr. 28, 2014 (EM) 002454264-0002

(51) **LOC (10) Cl.** **12-16**

(52) **U.S. Cl.**
USPC **D12/209**

(58) **Field of Classification Search**

USPC D12/204–213
 CPC B60B 7/00; B60B 7/02; B60B 7/04;
 B60B 7/01; B60B 7/06; B60B 3/02; B60B
 3/04; B60B 3/06; B60B 3/10; B60B 1/00;
 B60B 1/08; B60B 1/10; B60B 1/12

See application file for complete search history.

(56) **References Cited**

U.S. PATENT DOCUMENTS

D538,216 S *	3/2007	Sycha	D12/209
D594,396 S *	6/2009	Juergens et al.	D12/209
D601,074 S *	9/2009	Buschmann	D12/209
D619,950 S *	7/2010	Antoniadis et al.	D12/209
D635,904 S *	4/2011	Futschik et al.	D12/209
D645,391 S *	9/2011	Weil	D12/209
D649,501 S *	11/2011	Platto et al.	D12/209
D674,329 S *	1/2013	Bildhaeuser	D12/209
D686,129 S *	7/2013	Juergens et al.	D12/209
D715,715 S *	10/2014	Pollmann	D12/209
D723,986 S *	3/2015	Lemke	D12/209
D723,988 S *	3/2015	Kito	D12/209
D727,232 S *	4/2015	Frei	D12/209
D734,701 S *	7/2015	Mielke et al.	D12/209

* cited by examiner

Primary Examiner — Stacia Cadmus

(74) *Attorney, Agent, or Firm* — Crowell & Moring LLP

(57) **CLAIM**

The ornamental design for a wheel or wheel cover, as shown and described.

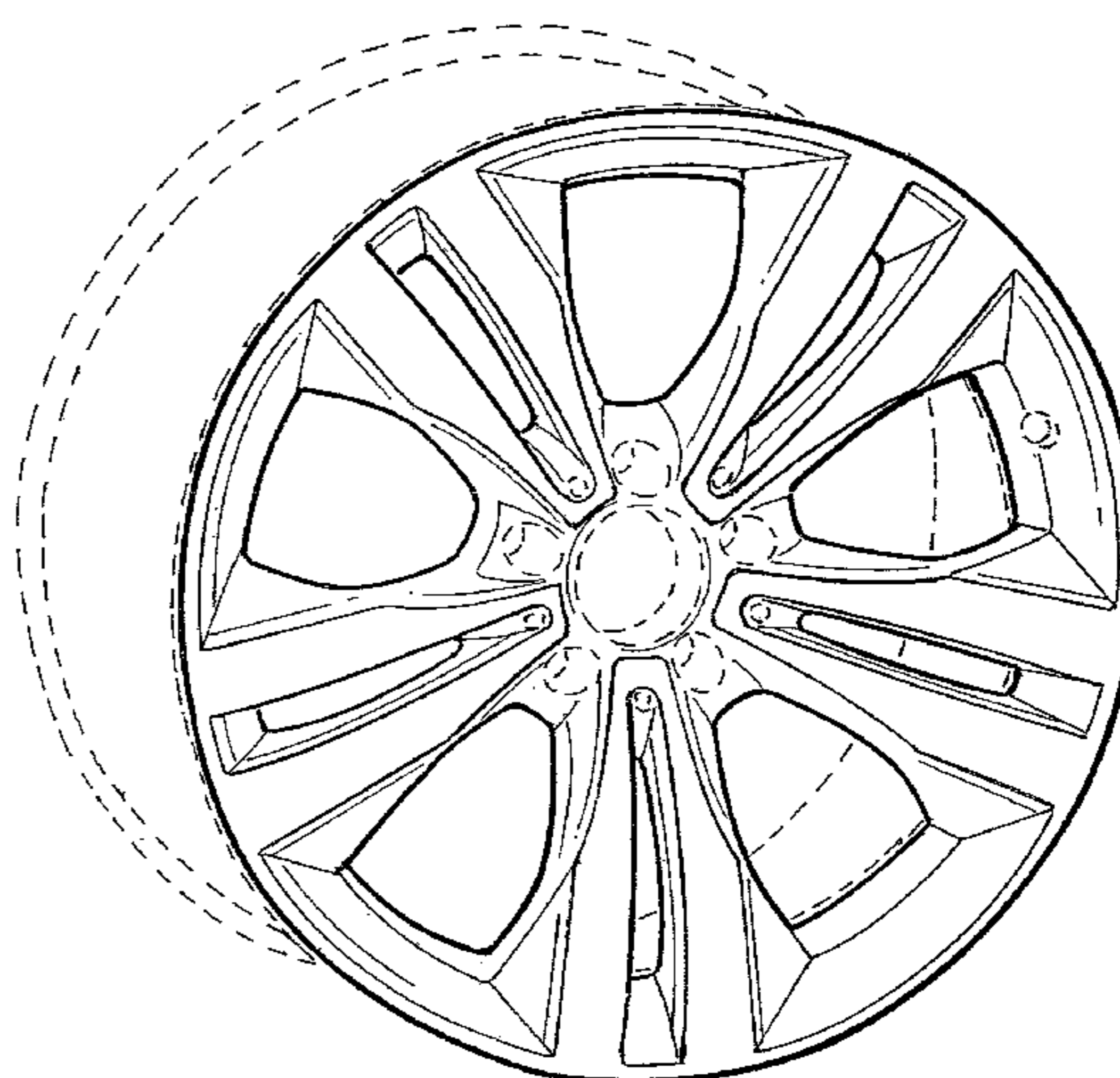
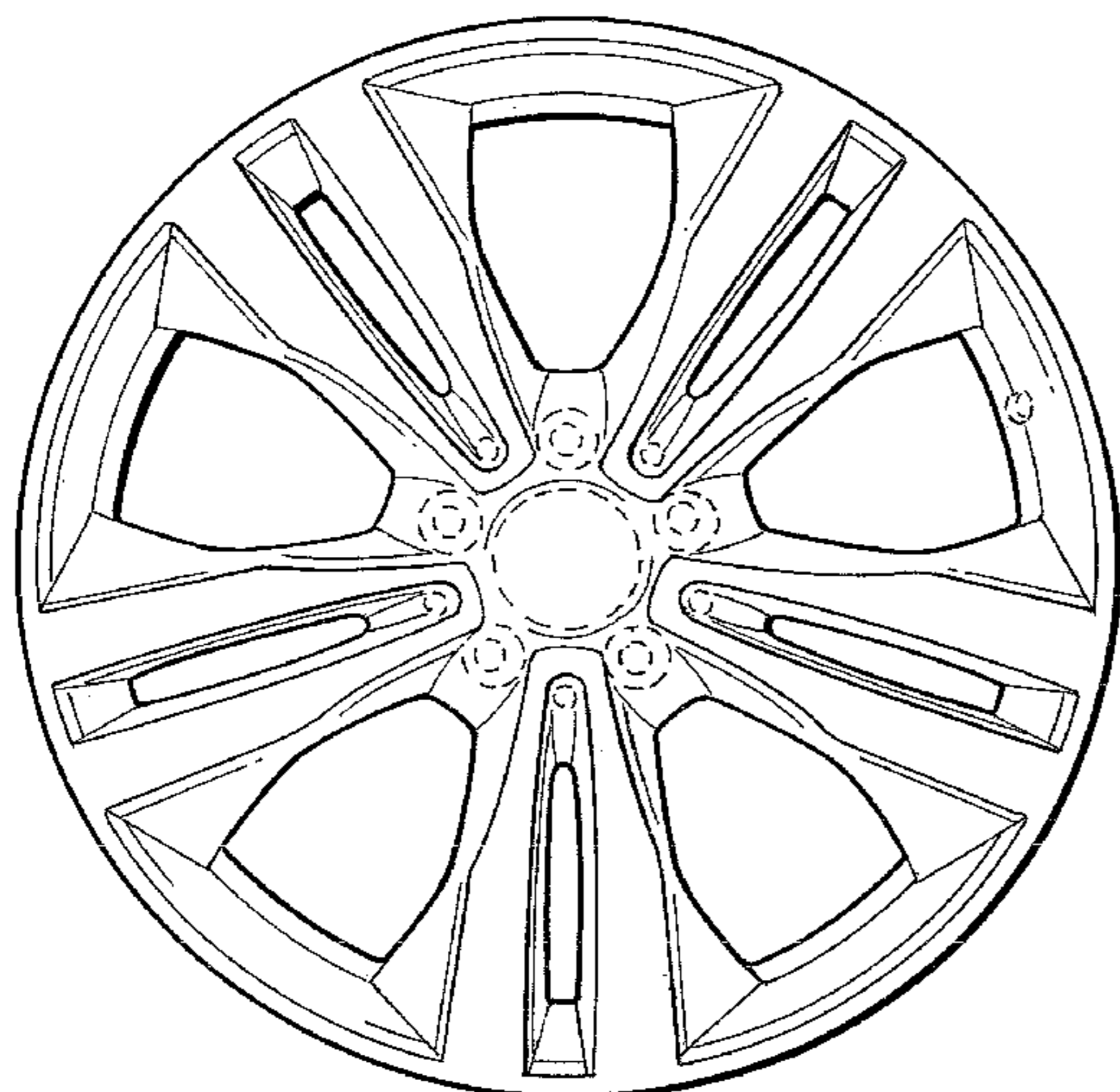
DESCRIPTION

FIG. 1 is a front view of a wheel or wheel cover according to the design; and,

FIG. 2 is a perspective view thereof.

The broken line showing of the rear of the wheel, the valve stem hole and the bolt holes and center opening in the central hub area is included for the purpose of illustrating environment and forms no part of the claimed design.

1 Claim, 1 Drawing Sheet



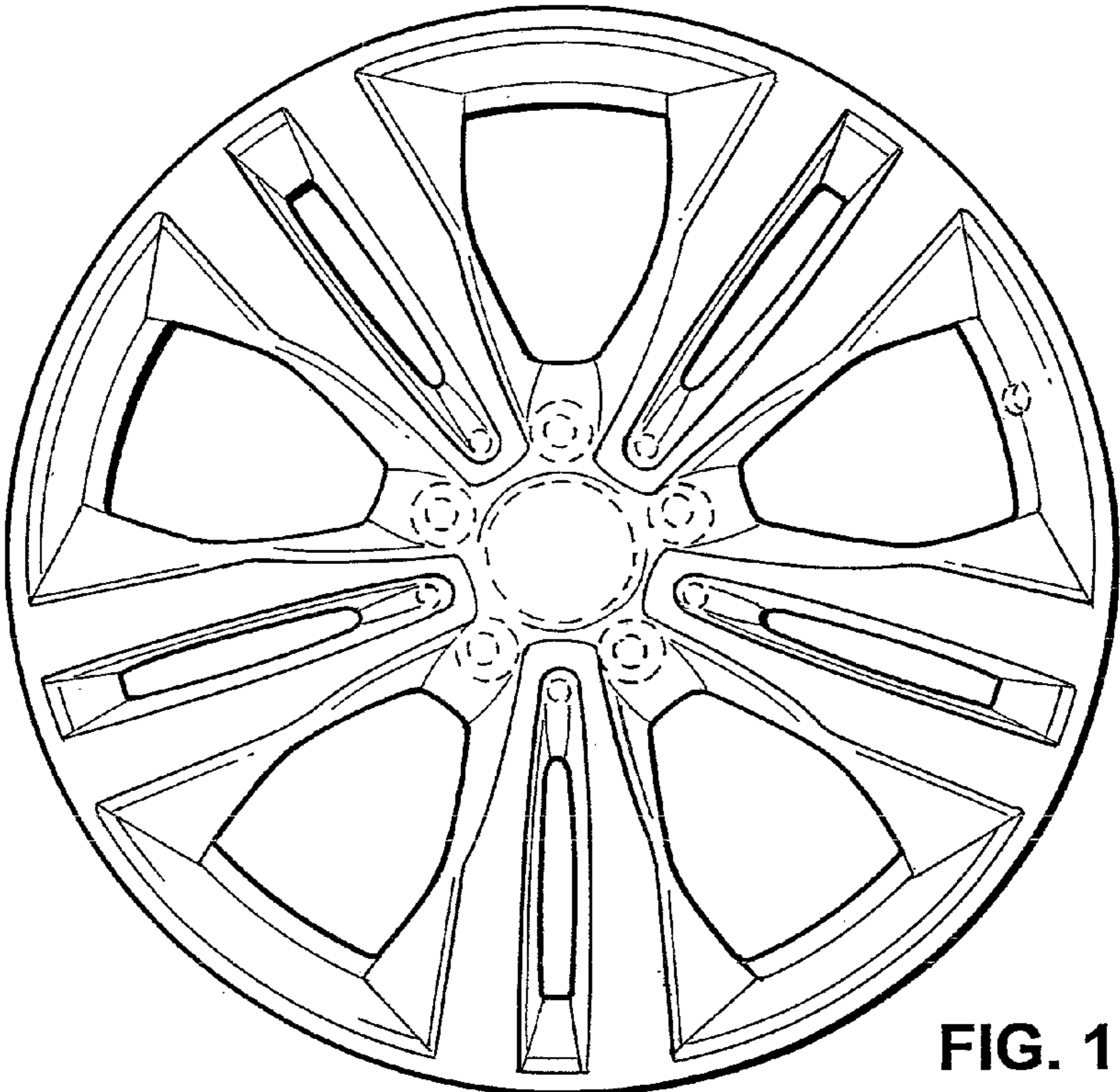


FIG. 1

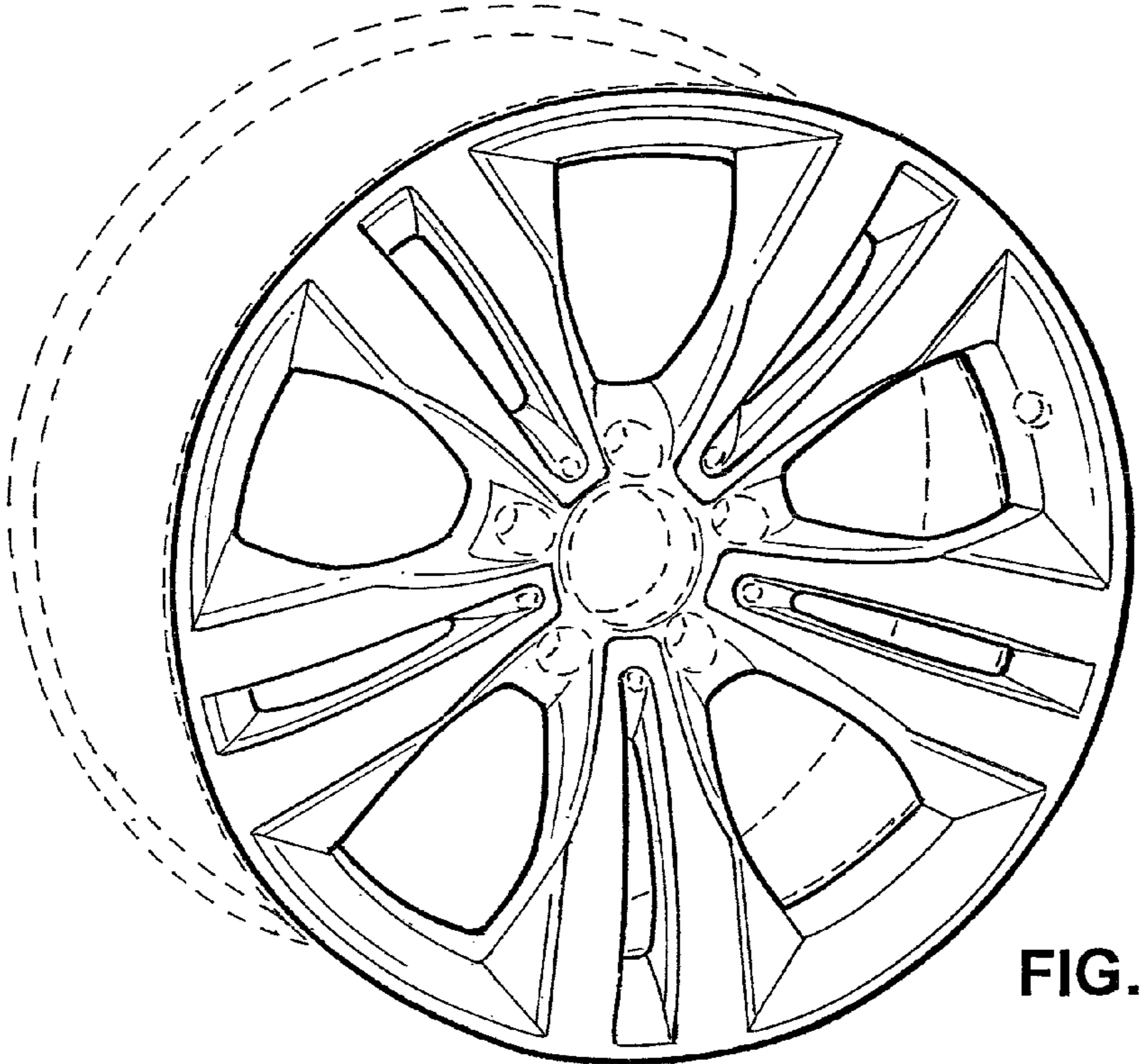


FIG. 2