



US00D741238S

(12) **United States Design Patent**
Chung

(10) **Patent No.:** **US D741,238 S**

(45) **Date of Patent:** **** Oct. 20, 2015**

(54) **AUTOMOTIVE WHEEL**

(71) Applicant: **Suny Chung**, Anaheim, CA (US)

(72) Inventor: **Suny Chung**, Anaheim, CA (US)

(**) Term: **14 Years**

(21) Appl. No.: **29/486,742**

(22) Filed: **Apr. 2, 2014**

(51) **LOC (10) Cl.** **12-16**

(52) **U.S. Cl.**
USPC **D12/209**

(58) **Field of Classification Search**
USPC D12/204–213
CPC B60B 7/00; B60B 7/02; B60B 7/04;
B60B 7/01; B60B 7/06; B60B 3/02; B60B
3/04; B60B 3/06; B60B 3/10; B60B 1/00;
B60B 1/08; B60B 1/10; B60B 1/12
See application file for complete search history.

(56) **References Cited**

U.S. PATENT DOCUMENTS

D534,473 S * 1/2007 Bernoni D12/211
D629,733 S * 12/2010 Tirado D12/211

D645,390 S * 9/2011 De Bono D12/209
D646,212 S * 10/2011 Ettensberger D12/211
D649,102 S * 11/2011 Gallert D12/211
D649,103 S * 11/2011 Gallert D12/211
D670,630 S * 11/2012 Flueckiger D12/209
D673,099 S * 12/2012 Ender D12/211
D689,421 S * 9/2013 Wachter D12/211
D710,780 S * 8/2014 Borkert D12/211

* cited by examiner

Primary Examiner — Stacia Cadmus

(57) **CLAIM**

The ornamental design for an automotive wheel, as shown and described.

DESCRIPTION

FIG. 1 is a perspective view of an automotive wheel, showing my new design; and, FIG. 2 is a front view thereof. The broken line showing of the rear portion of the wheel is included for the purpose of illustrating environment and forms no part of the claimed design.

1 Claim, 2 Drawing Sheets

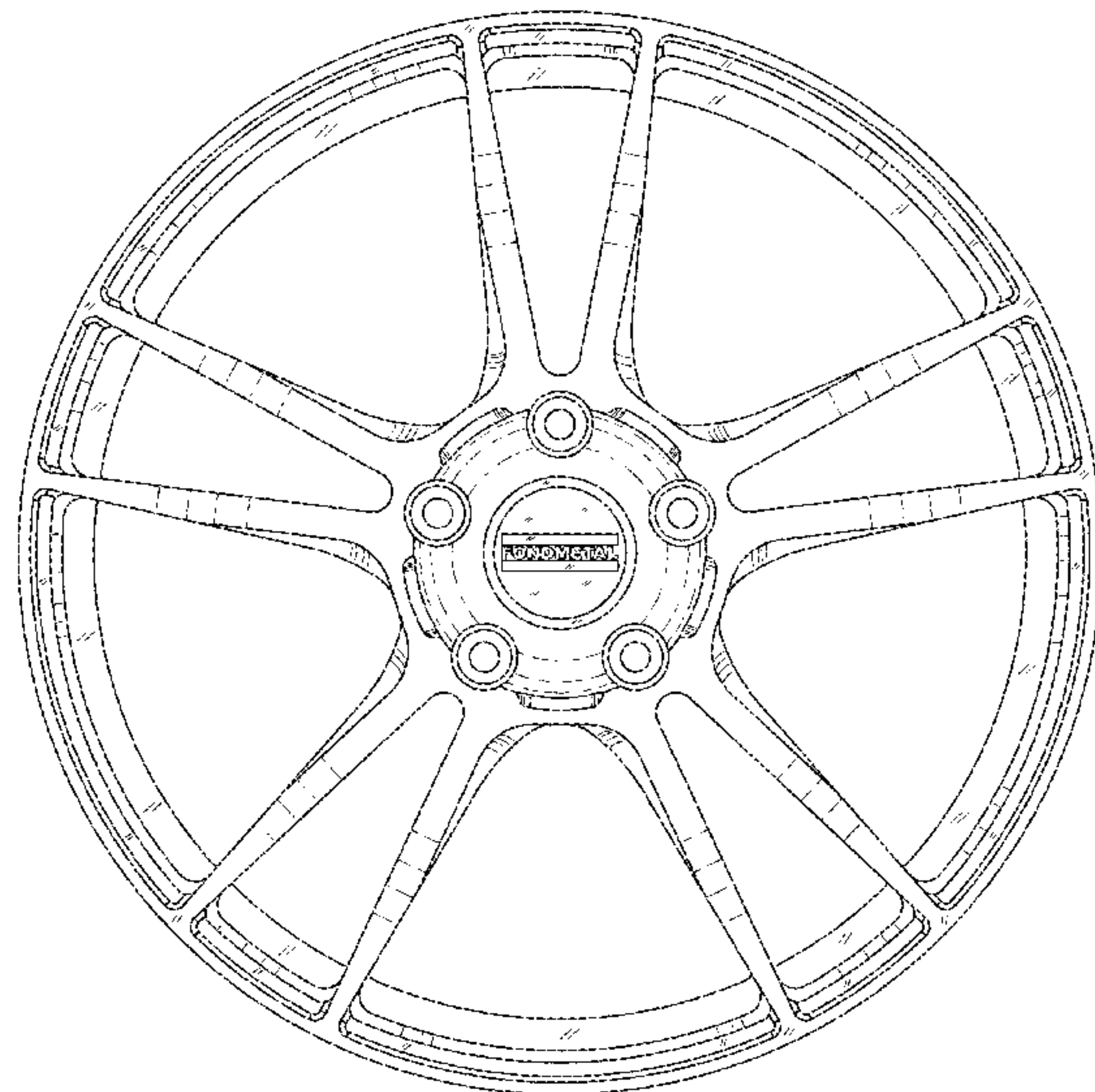
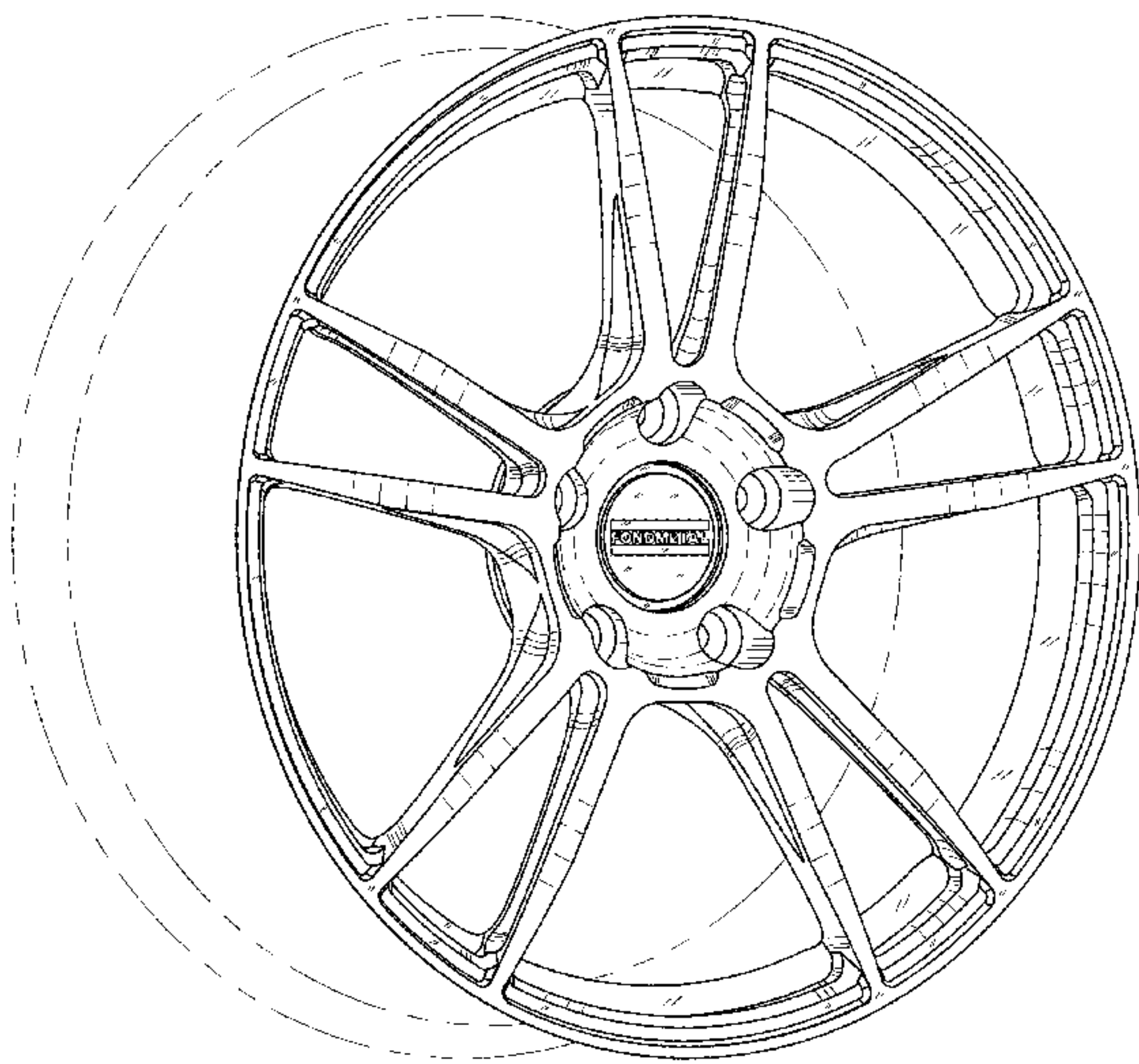


FIGURE 1

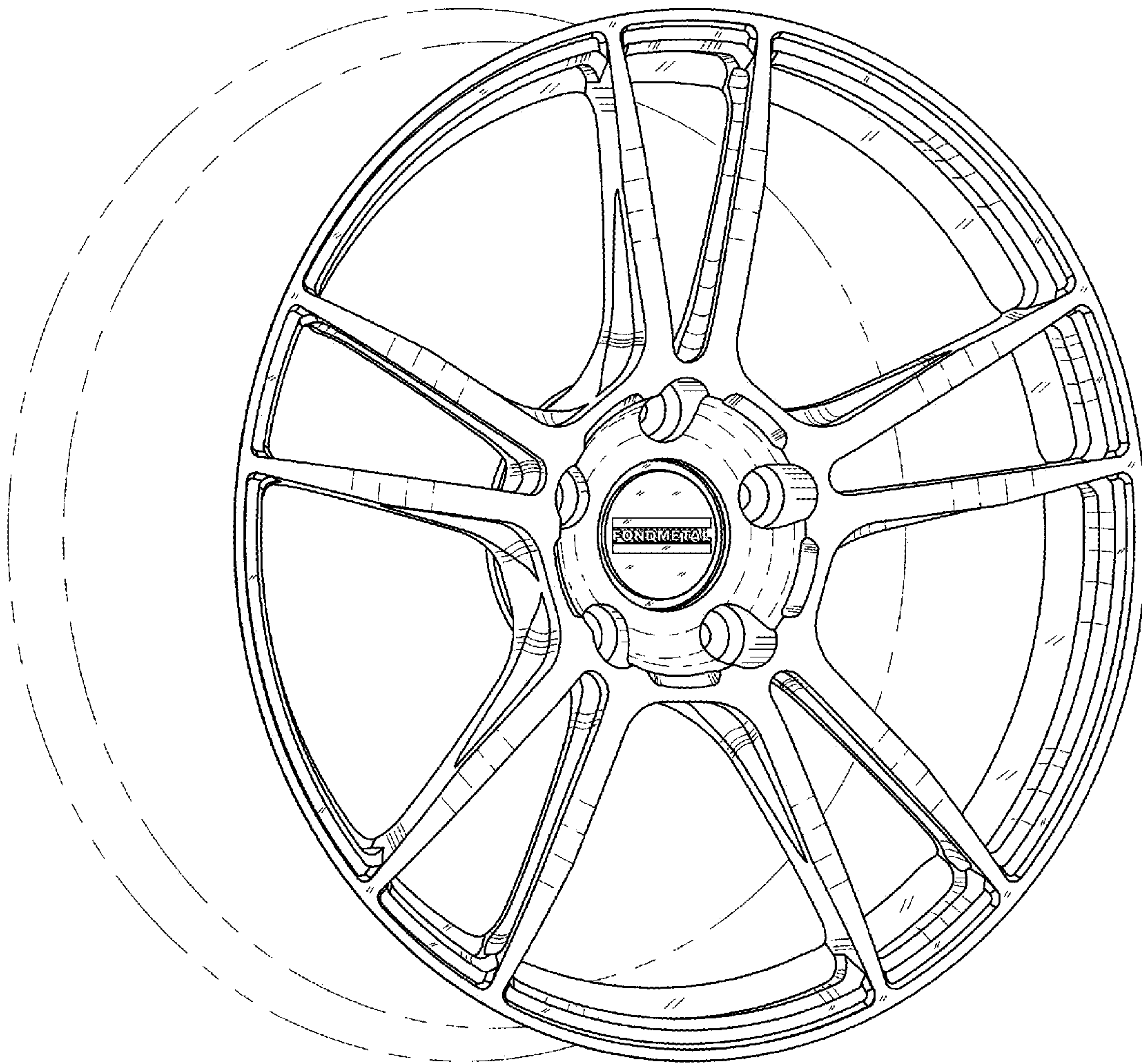


FIGURE 2

