



US00D741236S

(12) **United States Design Patent**
Schnering et al.

(10) **Patent No.:** **US D741,236 S**

(45) **Date of Patent:** **** Oct. 20, 2015**

(54) **WORK VEHICLE CABIN**

(71) Applicant: **DEERE & COMPANY**, Moline, IL (US)

(72) Inventors: **Jodi L. Schnering**, Platteville, WI (US);
Charles J. Asp, Epworth, IA (US);
Michael J. Dejung, Sebastopol, CA (US);
Thomas H. Ward, Ventura, CA (US)

(73) Assignee: **Deere & Company**, Moline, IL (US)

(**) Term: **14 Years**

(21) Appl. No.: **29/481,779**

(22) Filed: **Feb. 10, 2014**

(51) **LOC (10) Cl.** **12-08**

(52) **U.S. Cl.**
USPC **D12/195**

(58) **Field of Classification Search**
USPC D12/195, 86, 90-92, 96, 190, 192, 415;
D10/46, 98, 102, 103; D15/10, 22-26,
D15/28, 30, 31, 33; 296/190.01, 190.03,
296/190.04, 190.08, 24.39; 180/89.11,
180/89.12, 89.13, 90, 315, 316, 326, 333,
180/334
CPC B60K 35/00; B60K 37/00; B60K 37/06;
B60K 37/04; B60K 37/02; B60K 2350/2052;
B60K 2350/941; B60R 7/06; B60R 2011/0005
See application file for complete search history.

(56) **References Cited**

U.S. PATENT DOCUMENTS

D369,999	S	*	5/1996	Sacco et al.	D12/192
D420,685	S	*	2/2000	Muranen	D15/30
6,039,141	A	*	3/2000	Denny	180/329
6,692,051	B1	*	2/2004	Cook et al.	296/24.39
D495,641	S	*	9/2004	Nakajima et al.	D12/192
D513,415	S	*	1/2006	Klein et al.	D15/30
D514,490	S	*	2/2006	Pfeiffer et al.	D12/192

D534,468	S	*	1/2007	Colburn et al.	D12/192
D546,841	S	*	7/2007	McCarren et al.	D15/28
D577,640	S	*	9/2008	Wyszogrod et al.	D12/192
D577,644	S	*	9/2008	Wyszogrod et al.	D12/195
D586,714	S	*	2/2009	Woodard et al.	D12/192
D602,833	S	*	10/2009	Corradi	D12/195

(Continued)

Primary Examiner — Eric Goodman

Assistant Examiner — Clese Moore, Jr.

(74) *Attorney, Agent, or Firm* — Ingrassia, Fisher & Lorenz, PC

(57) **CLAIM**

The ornamental design for a work vehicle cabin, as shown and described.

DESCRIPTION

FIG. 1 is a top, front, left diagrammatic perspective view of a work vehicle cabin showing our new design with exemplary work vehicle environment;

FIG. 2 is a top, rear, left perspective cut-away view thereof;

FIG. 3 is a top plan view thereof;

FIG. 4 is a rear end view thereof;

FIG. 5 is a left side elevational view thereof;

FIG. 6 is a right side elevational view thereof;

FIG. 7 is a top, front, left diagrammatic perspective view of work vehicle cabin showing another aspect of our new design with exemplary work vehicle environment;

FIG. 8 is a top, rear, left perspective cut-away view thereof;

FIG. 9 is a top plan view thereof;

FIG. 10 is a rear end view thereof;

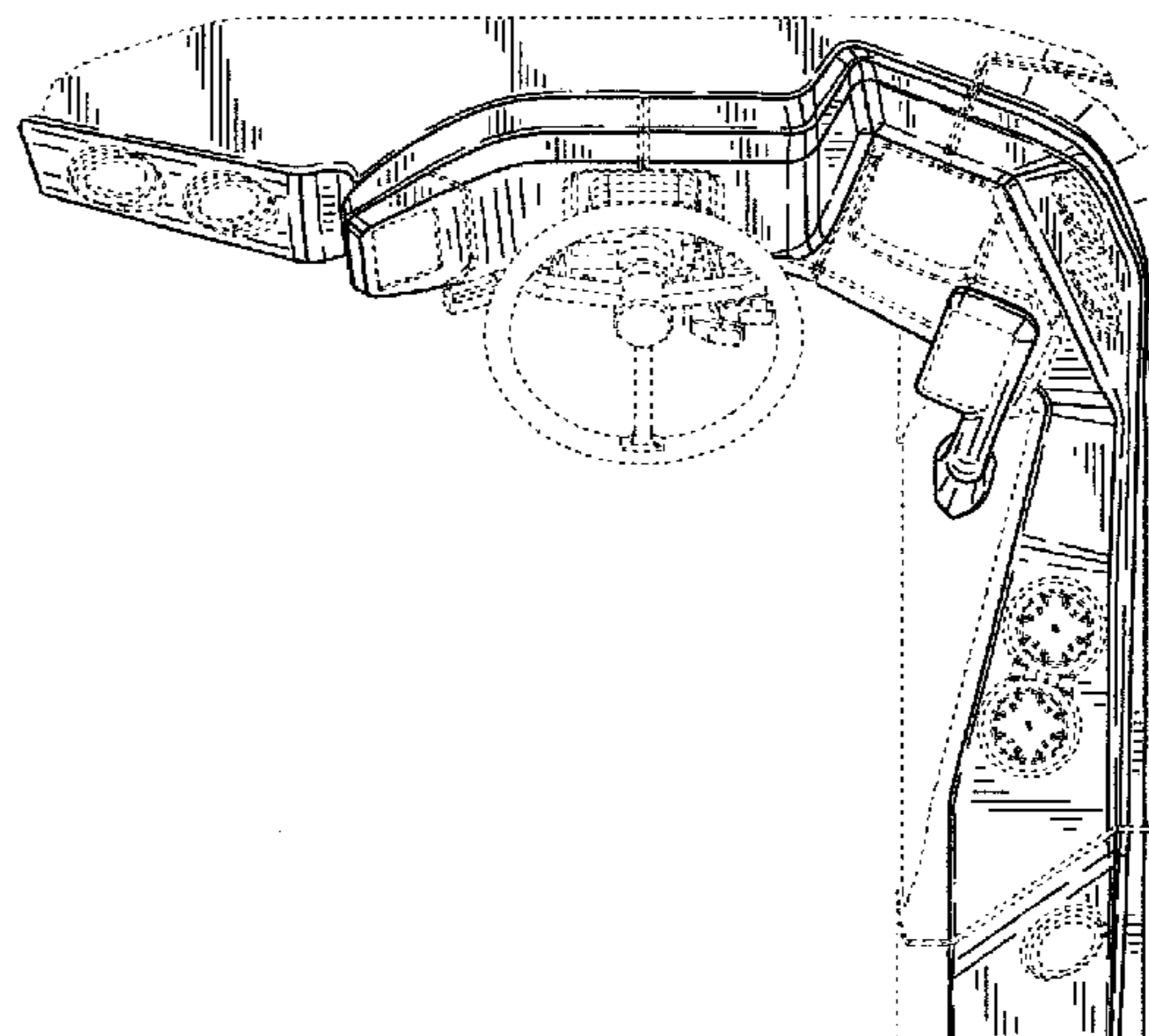
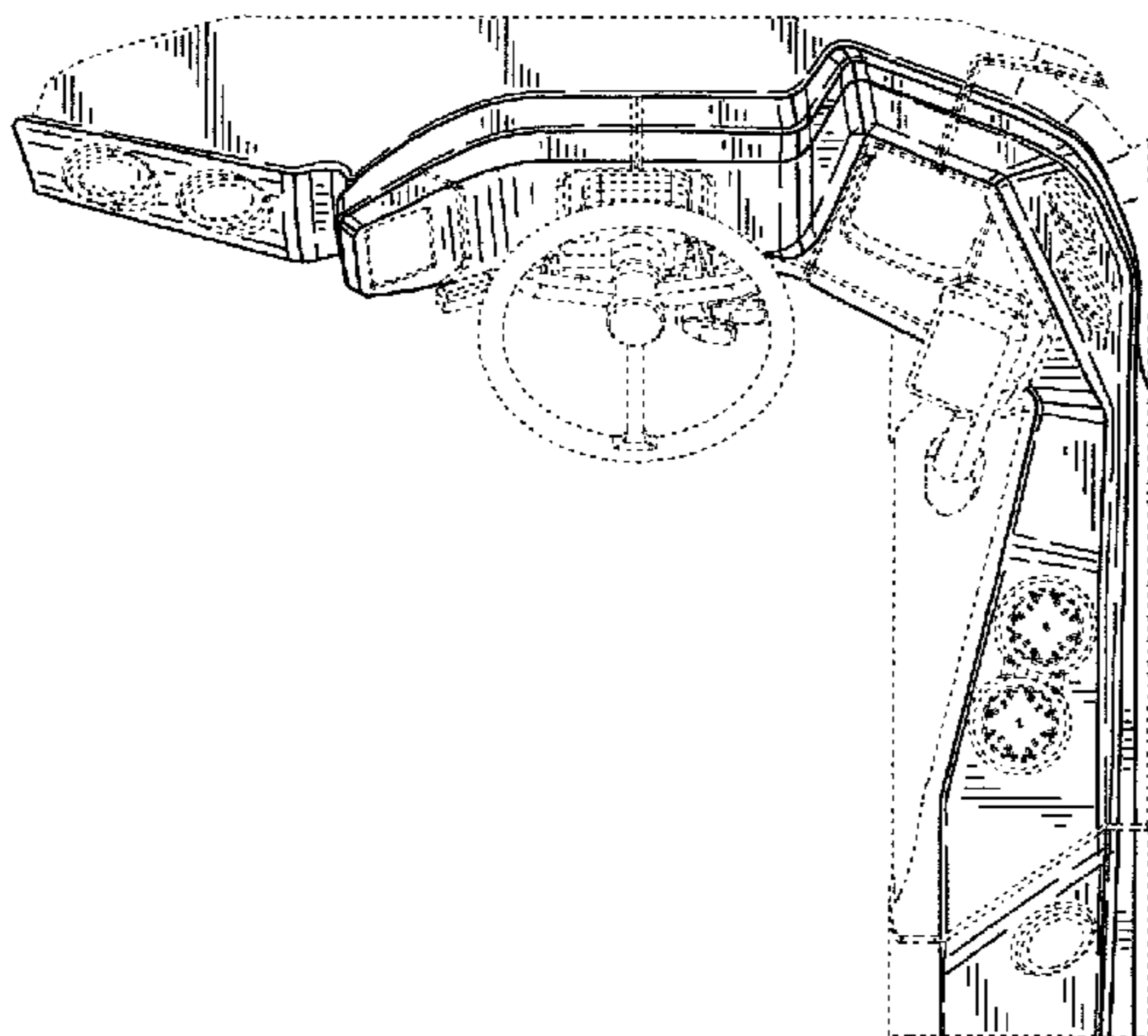
FIG. 11 is a left side elevational view thereof; and,

FIG. 12 is a right side elevational view thereof.

The broken lines shown illustrate portions of the work vehicle cabin that form no part of the claimed design, and, in FIGS. 1 and 7, the broken lines illustrate environmental structure that forms no part of the claimed design.

The nature of this product is a work vehicle, such as used in the construction and forestry industries.

1 Claim, 10 Drawing Sheets



(56)

References Cited

U.S. PATENT DOCUMENTS

D608,264 S * 1/2010 Hwang et al. D12/192
D621,761 S * 8/2010 Wiedeman et al. D12/192
D650,728 S * 12/2011 Mayrand et al. D12/192
D652,063 S * 1/2012 Takeuchi et al. D15/28
D652,433 S * 1/2012 Takeuchi et al. D15/28

D656,966 S * 4/2012 Iwata et al. D15/28
D666,544 S * 9/2012 Tsay et al. D12/195
D678,355 S * 3/2013 Warr D15/28
D685,006 S * 6/2013 Hagura et al. D15/28
D697,847 S * 1/2014 Waugh et al. D12/192
D697,850 S * 1/2014 Waugh et al. D12/192
8,646,826 B2 * 2/2014 Wihinen et al. 296/71
D710,785 S * 8/2014 Jacobsthal et al. D12/415

* cited by examiner

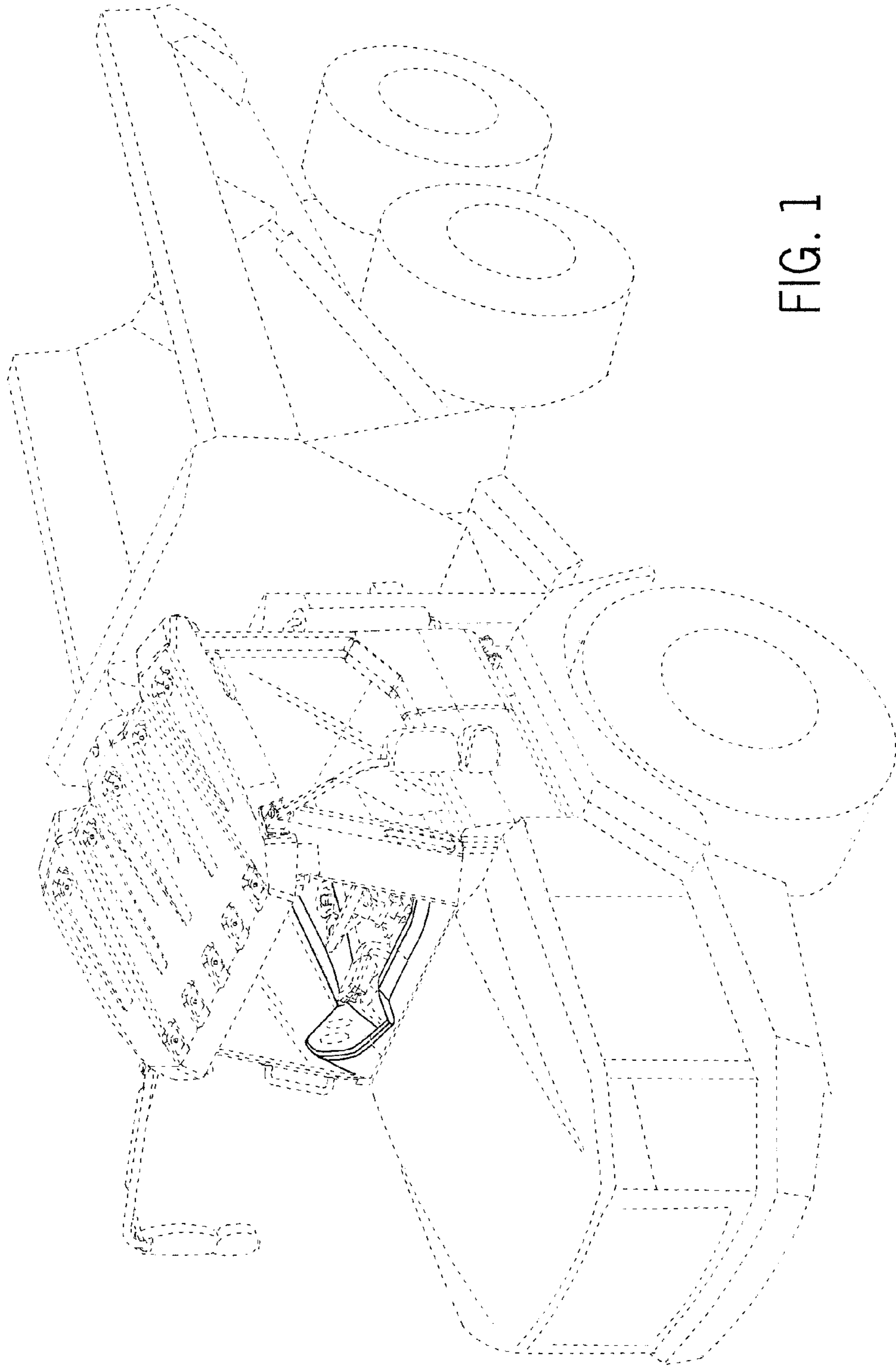


FIG. 1

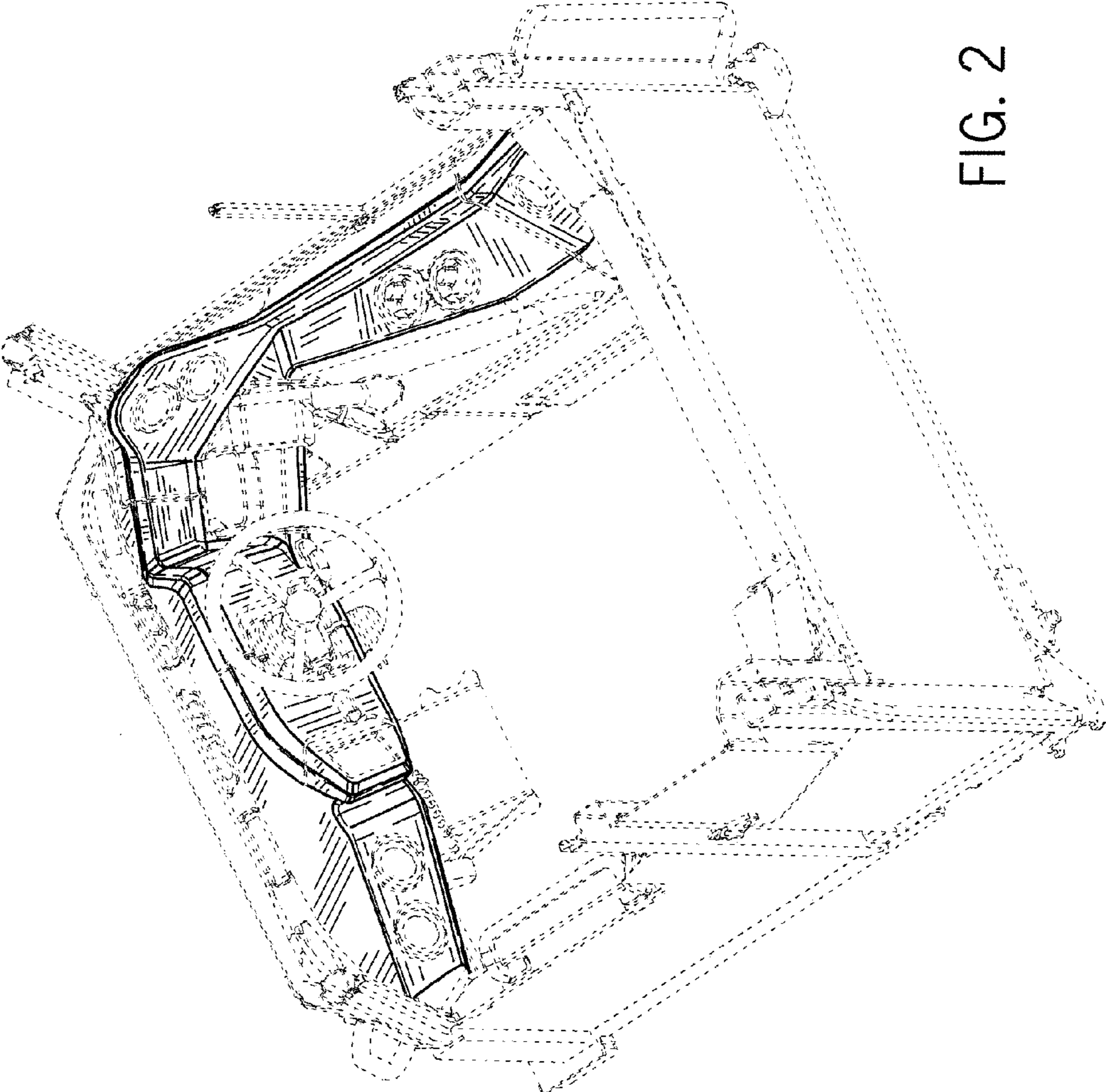


FIG. 2

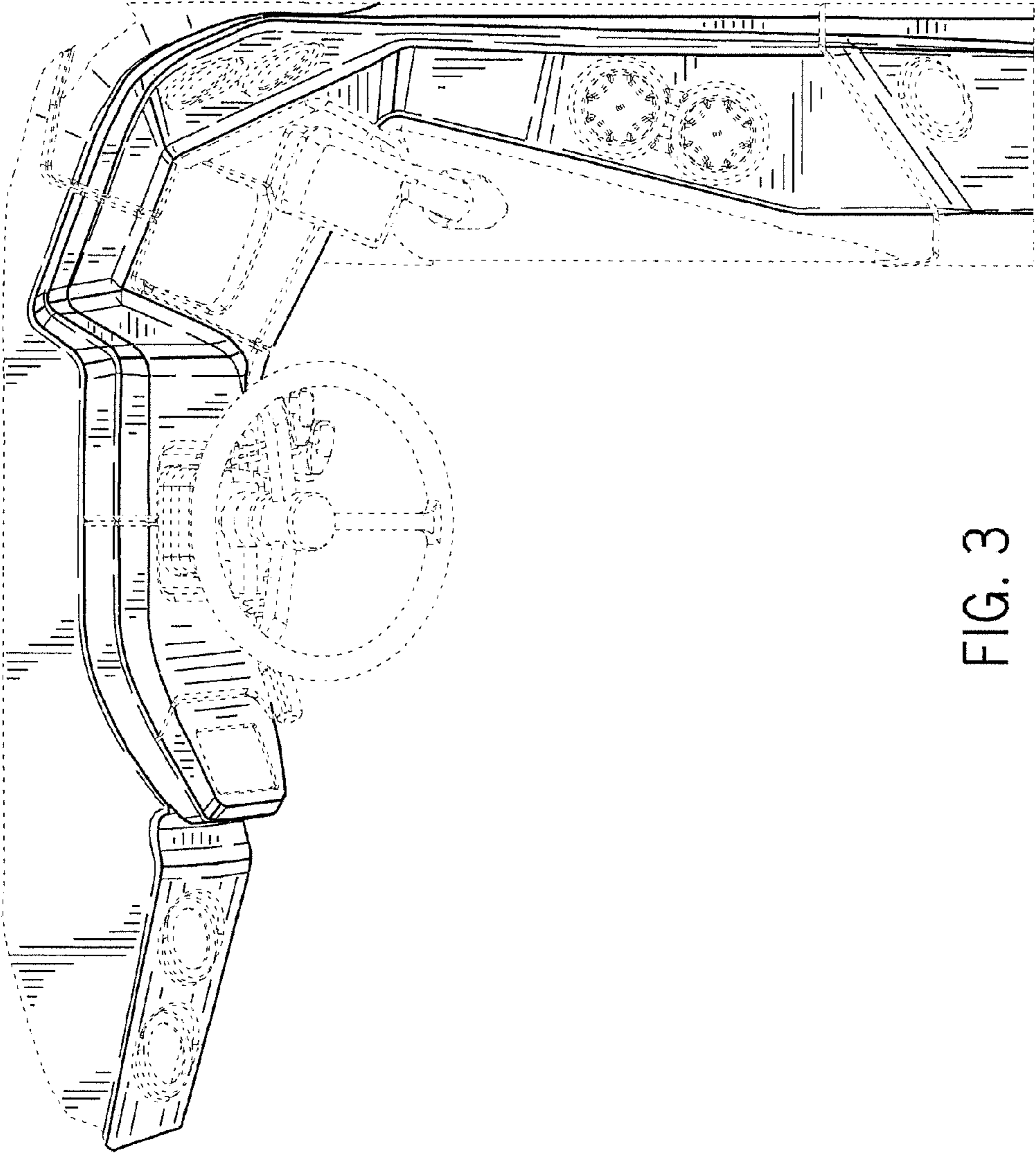


FIG. 3

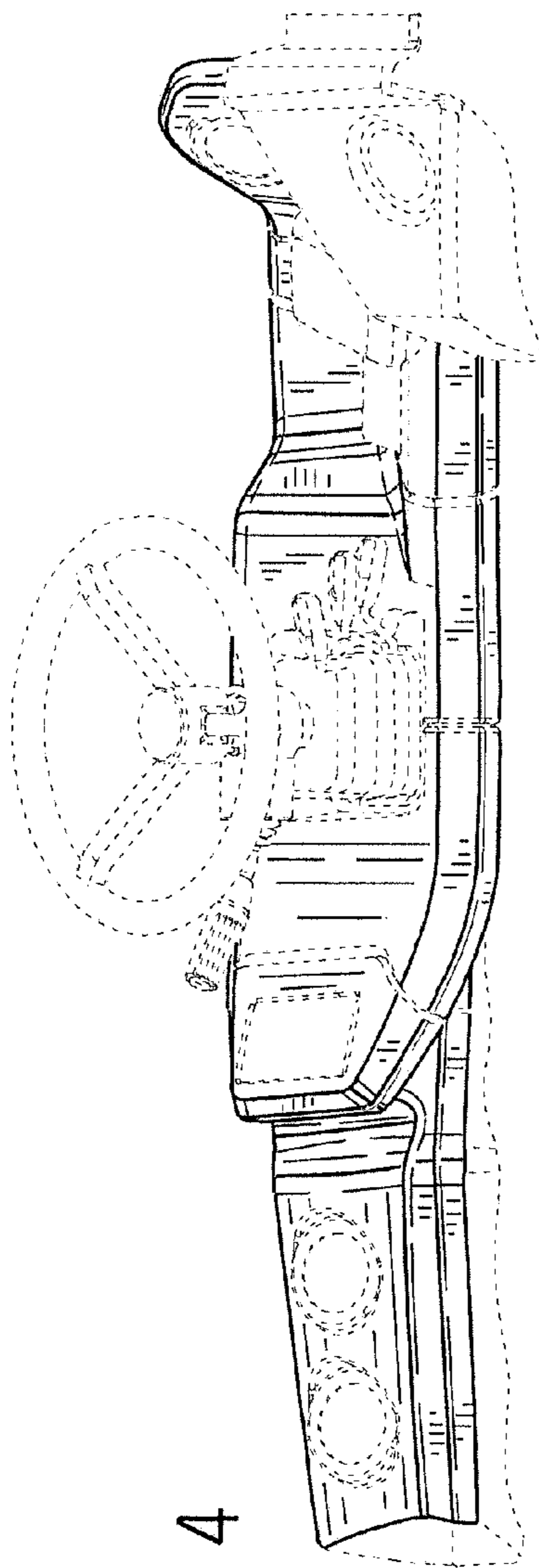


FIG. 4

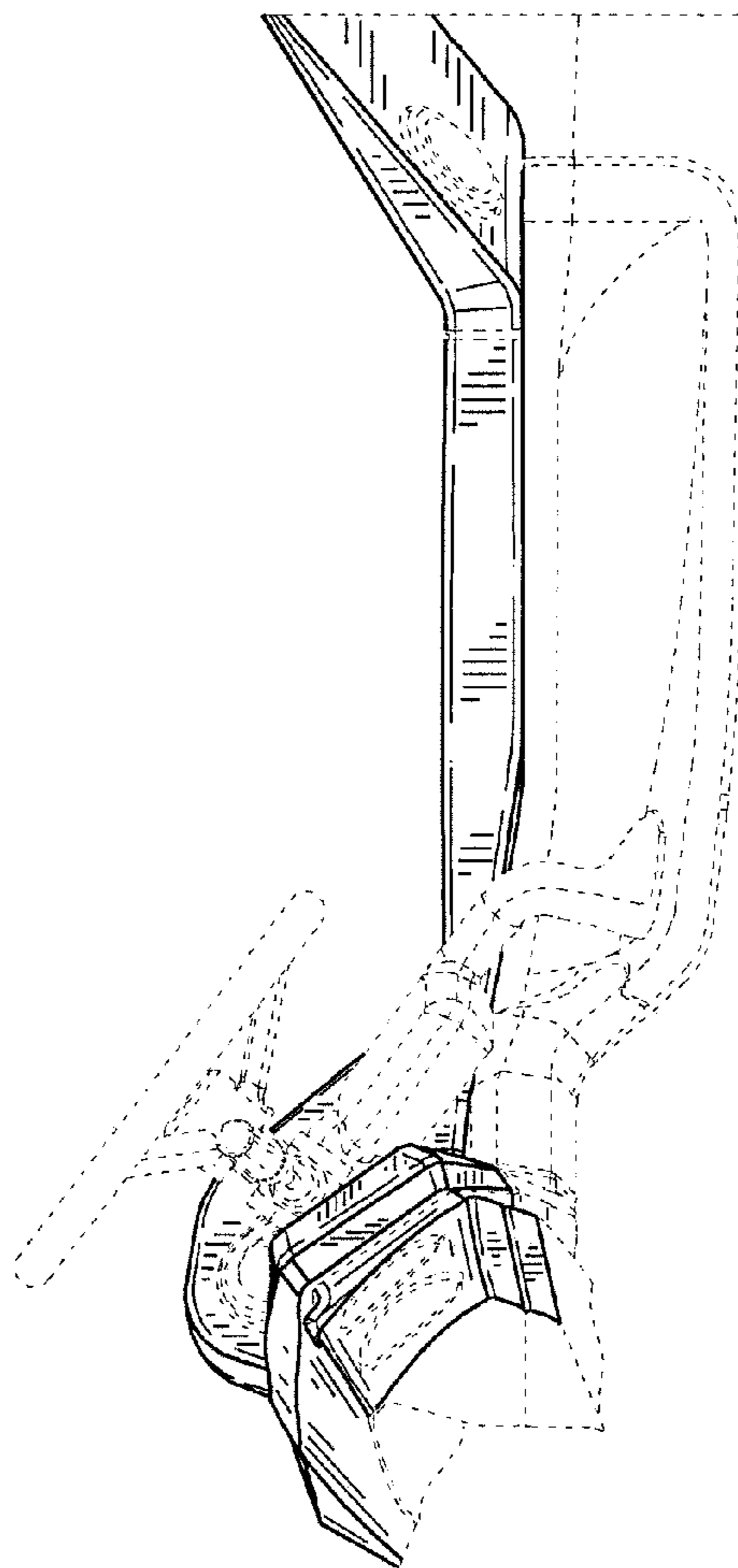


FIG. 5

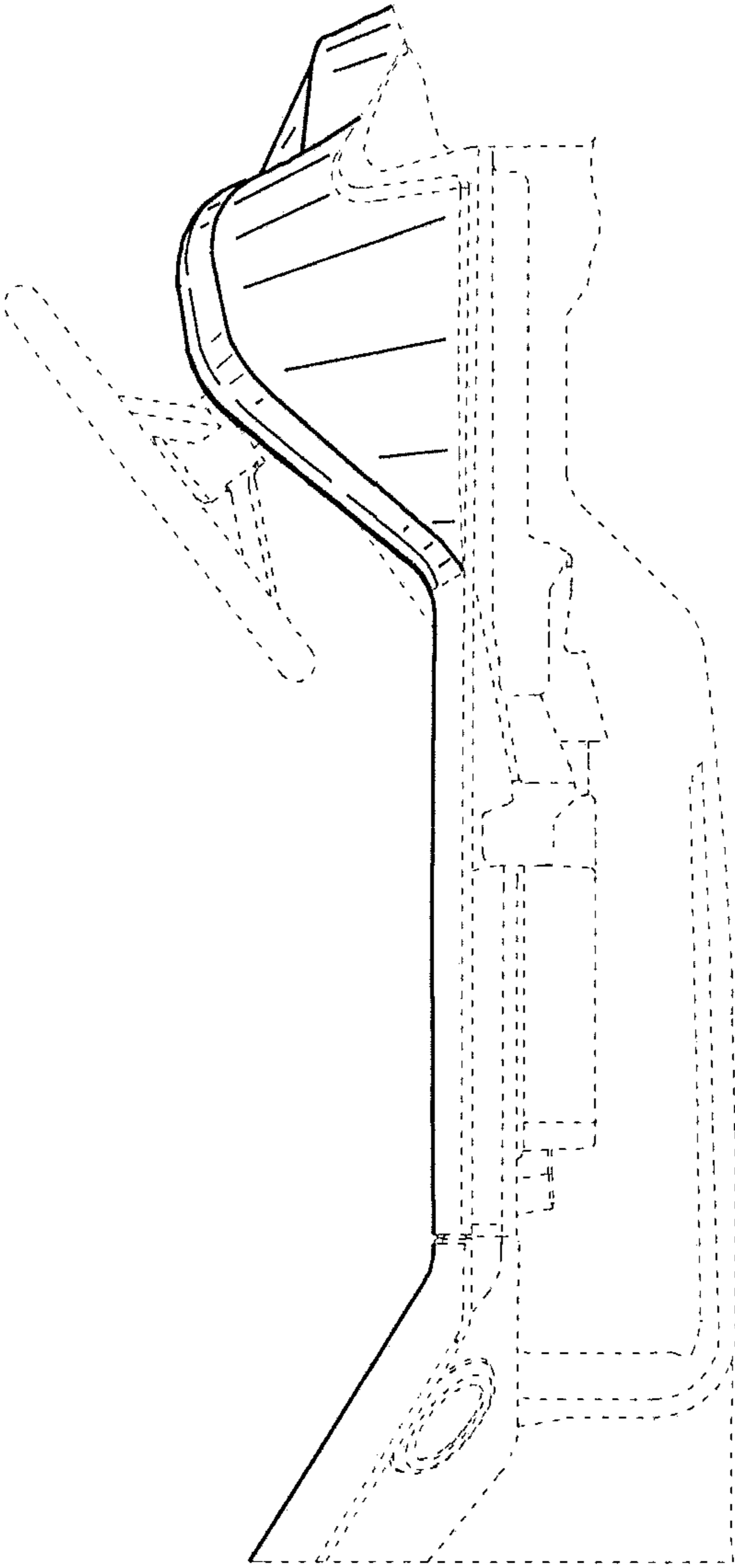


FIG. 6

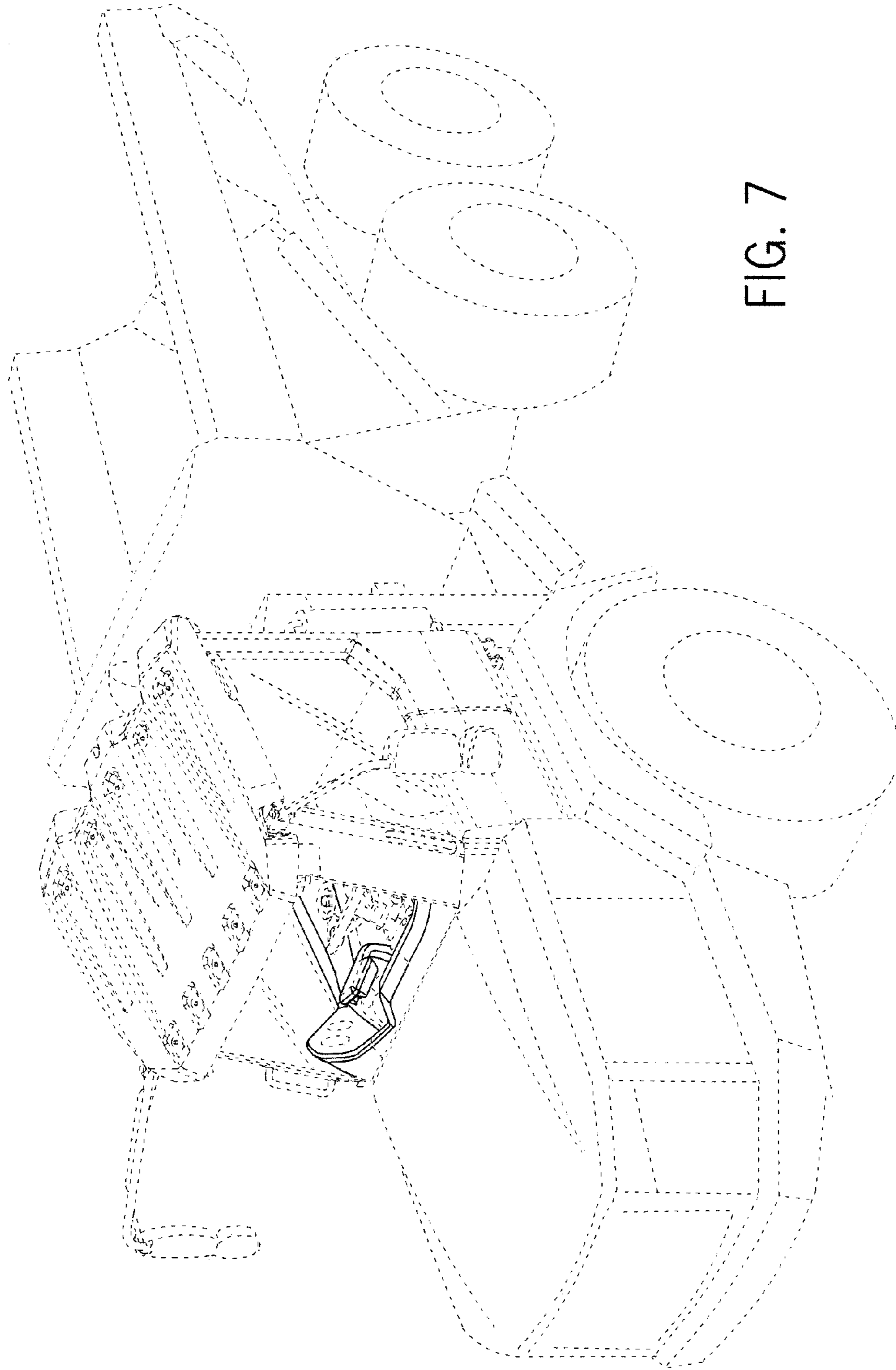


FIG. 7

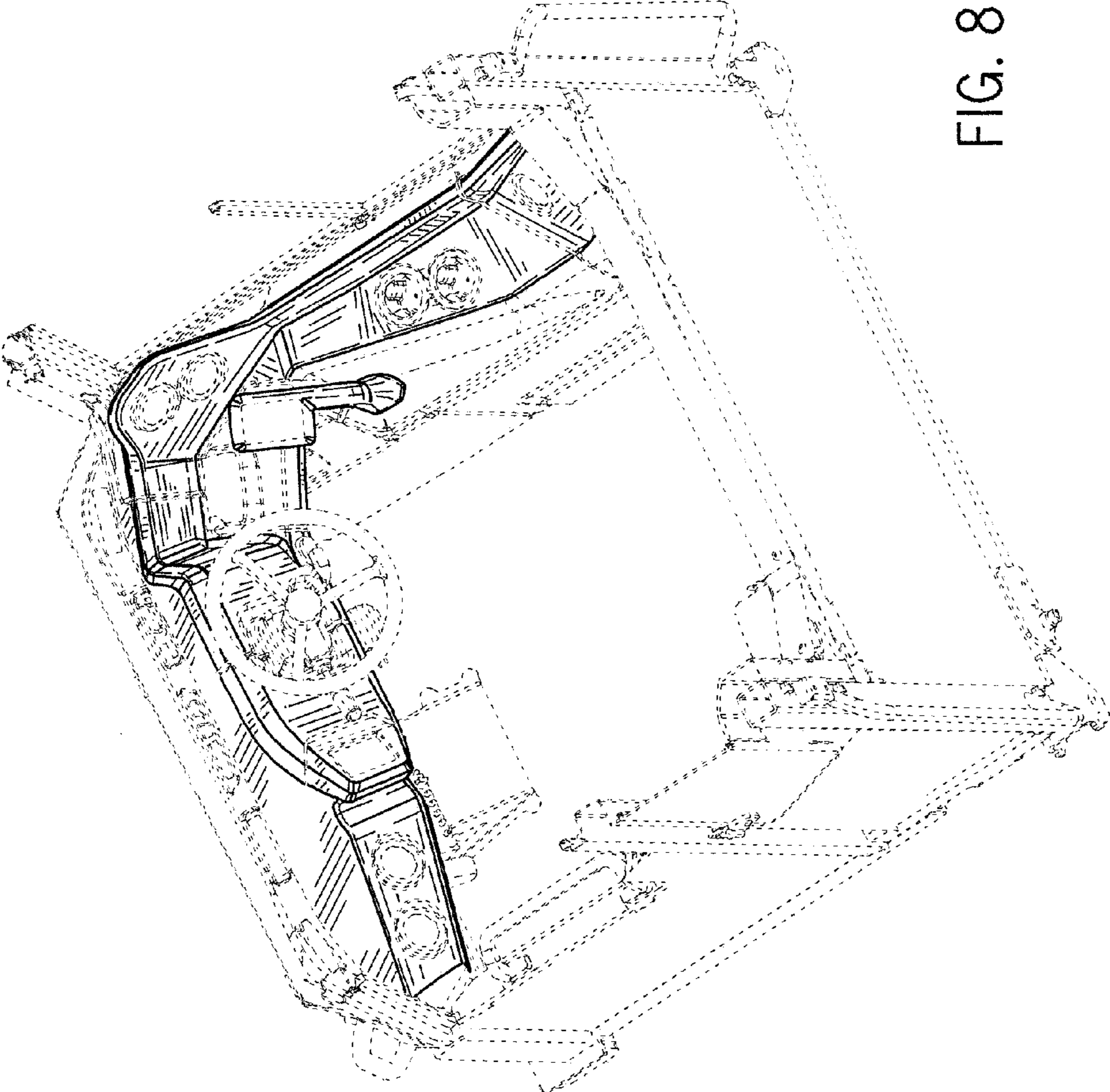


FIG. 8

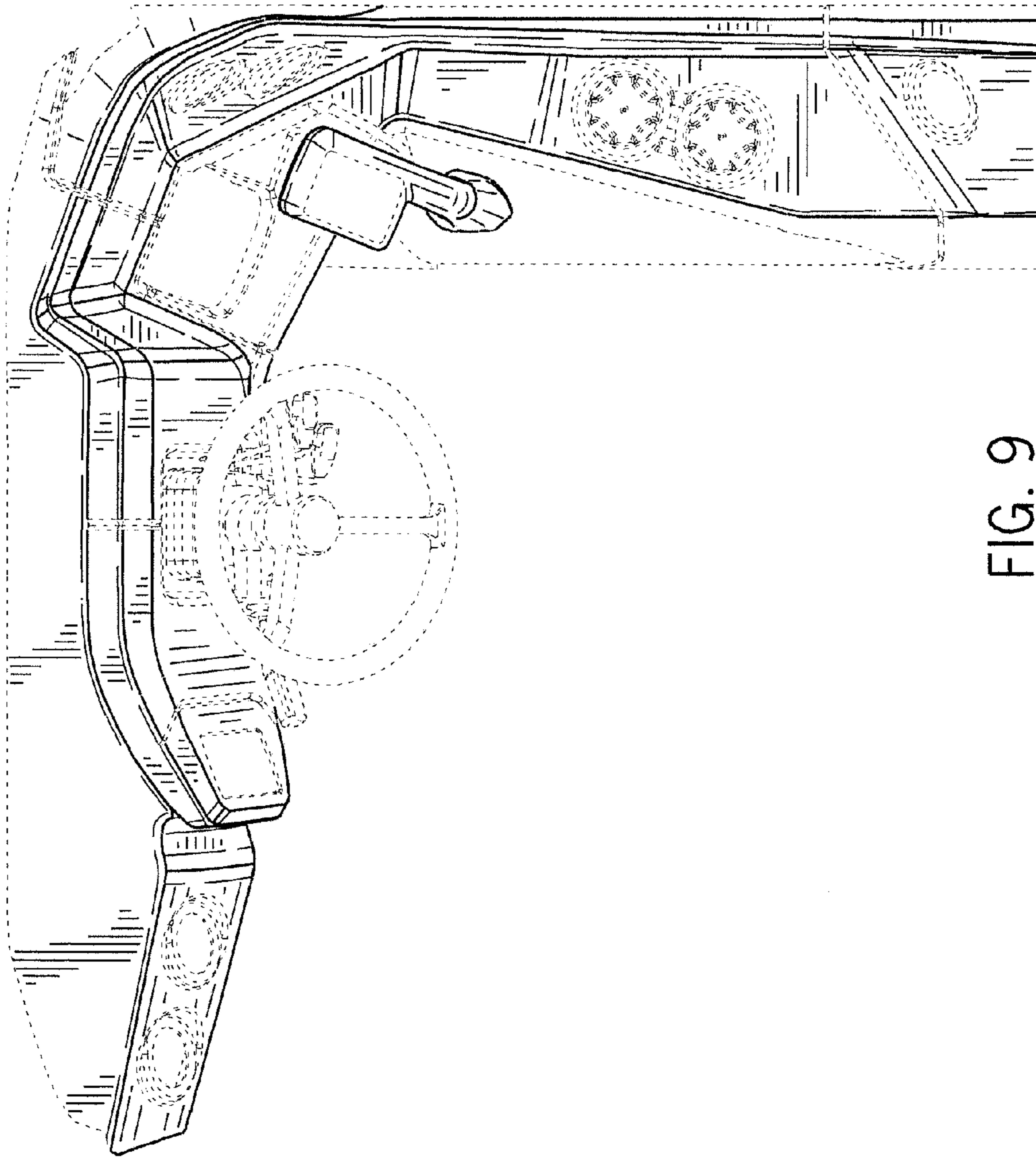


FIG. 9

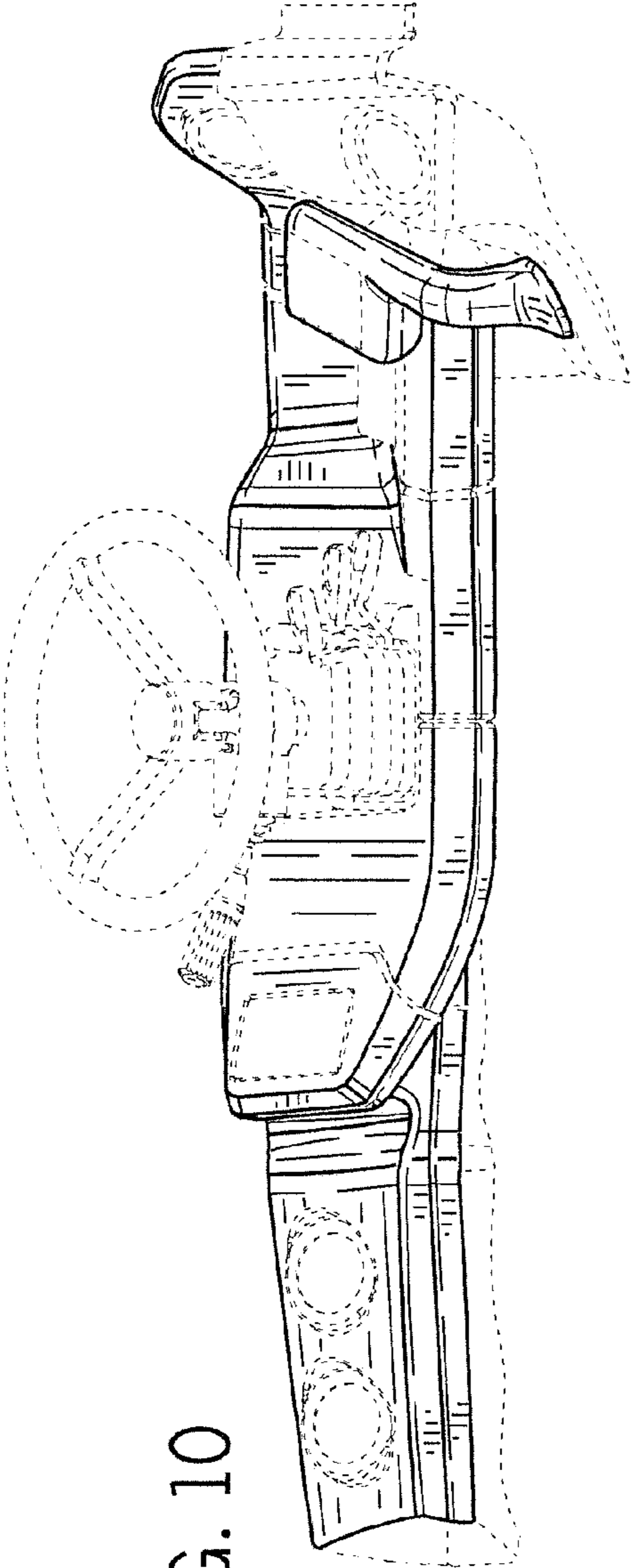


FIG. 10

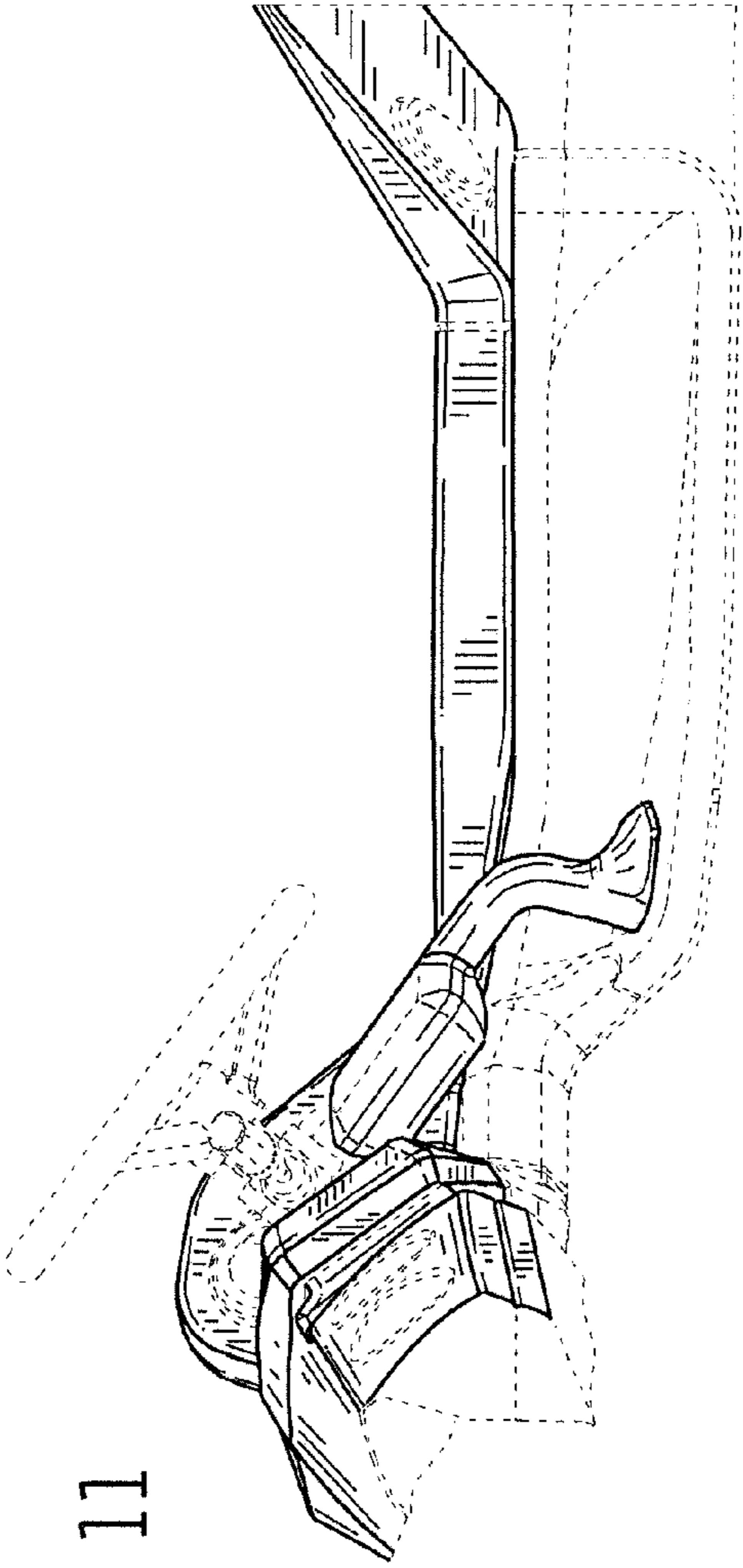


FIG. 11

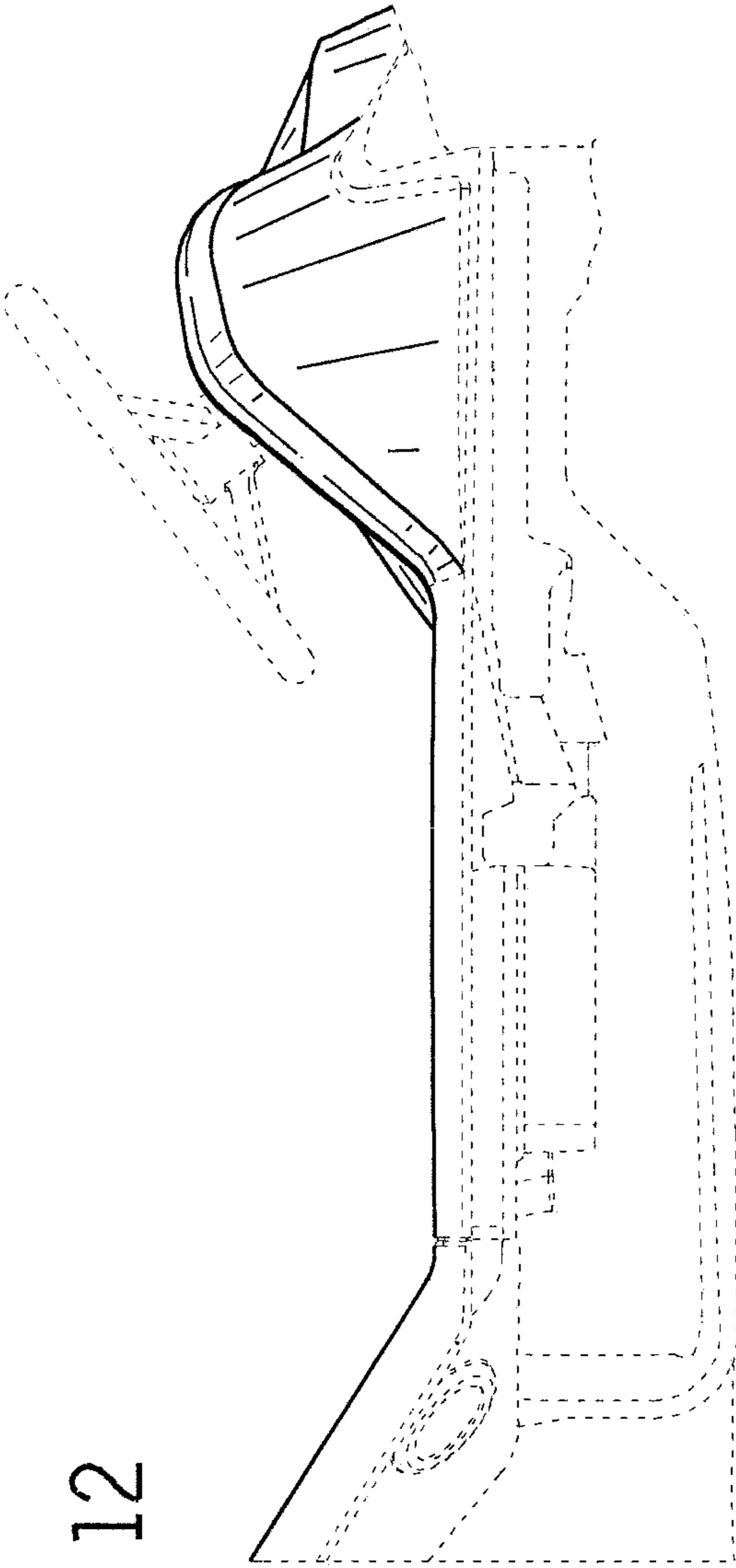


FIG. 12