



US00D741235S

(12) **United States Design Patent**  
**Hanson et al.**

(10) **Patent No.:** **US D741,235 S**

(45) **Date of Patent:** **\*\* Oct. 20, 2015**

- (54) **FENDER FLARE**
- (71) Applicant: **Caterpillar Inc.**, Peoria, IL (US)
- (72) Inventors: **Eric Hanson**, Valparaiso, IN (US); **G. L. Pabst**, Davisburg, MI (US); **Curt Wilson**, Naperville, IL (US); **Christian Hardin**, Waterford, MI (US)
- (73) Assignee: **Caterpillar Inc.**, Peoria, IL (US)
- (\*\*) Term: **14 Years**
- (21) Appl. No.: **29/486,947**
- (22) Filed: **Apr. 4, 2014**
- (51) **LOC (10) Cl.** ..... **12-16**
- (52) **U.S. Cl.**  
USPC ..... **D12/184**
- (58) **Field of Classification Search**  
USPC ..... D12/101, 106, 184, 190, 196; 150/154;  
280/152.1, 152.2, 152.3, 160.1,  
280/414.1-414.3, 770, 847-851; 296/192,  
296/193.04, 193.05, 198; 180/223, 225,  
180/229, 311, 312, 315  
See application file for complete search history.

- D619,049 S 7/2010 Beigel et al.
- D623,091 S 9/2010 Beigel et al.
- D623,092 S 9/2010 Beigel et al.
- D623,103 S \* 9/2010 Braga ..... D12/181
- D632,224 S 2/2011 Peltola et al.
- D633,016 S \* 2/2011 Iuchi ..... D12/181
- D641,671 S \* 7/2011 Reid ..... D12/181
- D653,994 S 2/2012 Fukushima et al.
- D660,207 S \* 5/2012 Hanson et al. .... D12/184
- 8,408,608 B2 4/2013 Wilkens et al.

(Continued)

**OTHER PUBLICATIONS**

Provisional U.S. Appl. No. 61/975,114; Tilting Hood Assembly Having Fender-Mounted Handle; Eric Hanson et al.; filed Apr. 4, 2014.

(Continued)

*Primary Examiner* — Philip S Hyder

*Assistant Examiner* — Darlington Ly

(74) *Attorney, Agent, or Firm* — Finnegan, Henderson, Farabow, Garrett & Dunner, LLP

(57) **CLAIM**

The ornamental design for a fender flare, as shown and described.

**DESCRIPTION**

FIG. 1 is a front left perspective view of a fender flare showing our new design;  
FIG. 2 is a rear left perspective view thereof;  
FIG. 3 is a front elevation view thereof;  
FIG. 4 is a front elevation view thereof;  
FIG. 5 is a top plan view thereof; and,  
FIG. 6 is a bottom view thereof.

The claimed design includes the mirror image of each embodiment depicted.

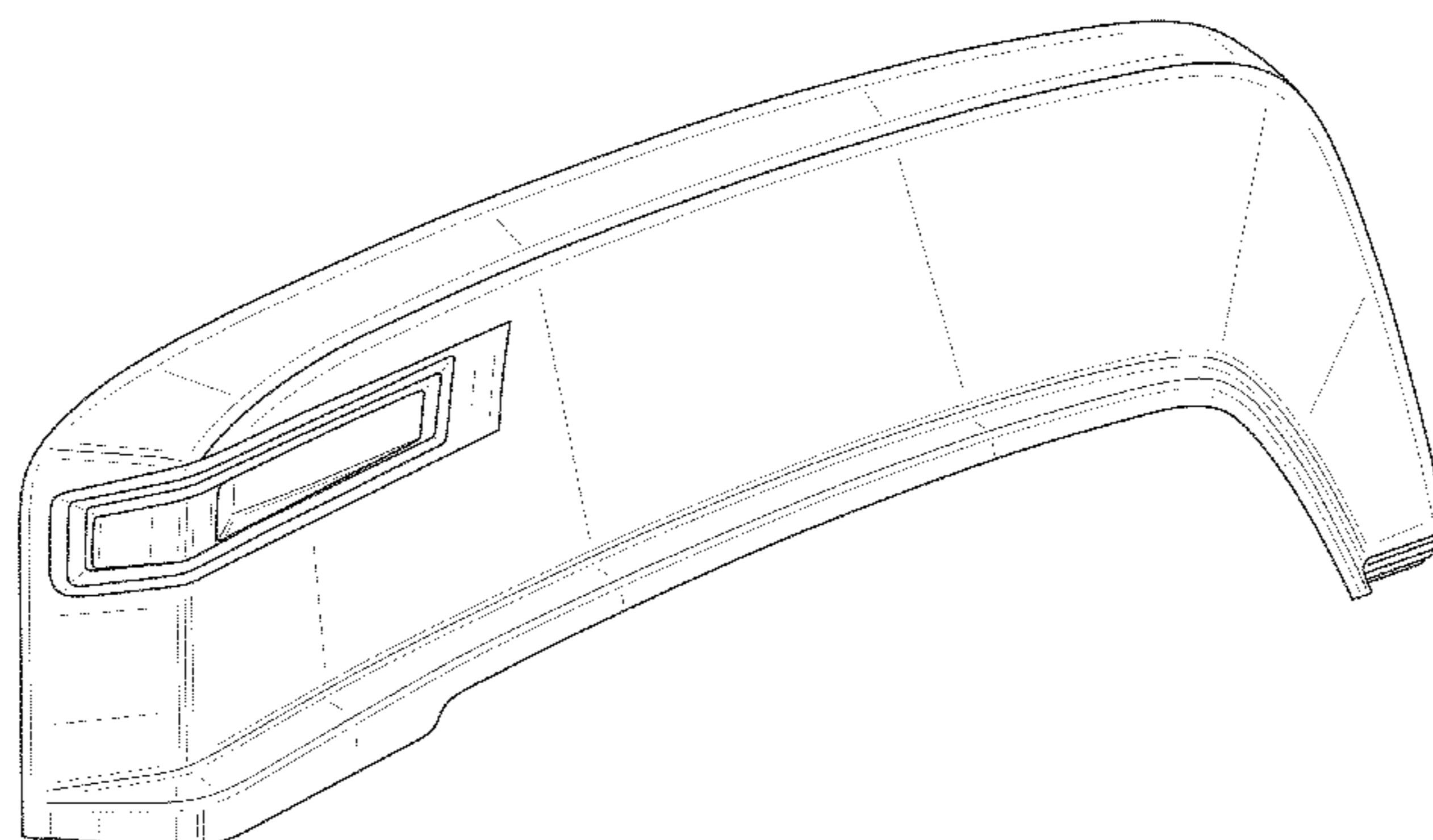
The side of the fender flare immediately adjacent to the truck body is not seen during ordinary use and is not part of the claimed design.

**1 Claim, 6 Drawing Sheets**

(56) **References Cited**

**U.S. PATENT DOCUMENTS**

- D286,031 S 10/1986 Breitschwerdt et al.
- 4,813,736 A 3/1989 Schubert et al.
- D340,022 S \* 10/1993 Lawrence ..... D12/184
- D340,214 S \* 10/1993 Lawrence ..... D12/184
- D345,332 S \* 3/1994 Roman ..... D12/184
- D345,333 S \* 3/1994 Roman ..... D12/184
- 5,984,037 A 11/1999 Duhem
- 6,431,605 B1 \* 8/2002 Miller et al. .... 280/854
- D467,202 S 12/2002 Mondragon Sarmiento et al.
- 6,666,291 B2 12/2003 Hyslop et al.
- D511,727 S \* 11/2005 Shaw et al. .... D12/184
- D524,202 S \* 7/2006 Devitt ..... D12/184
- D545,253 S \* 6/2007 Jones ..... D12/184
- D582,825 S \* 12/2008 Logan ..... D12/196



(56)

**References Cited**

U.S. PATENT DOCUMENTS

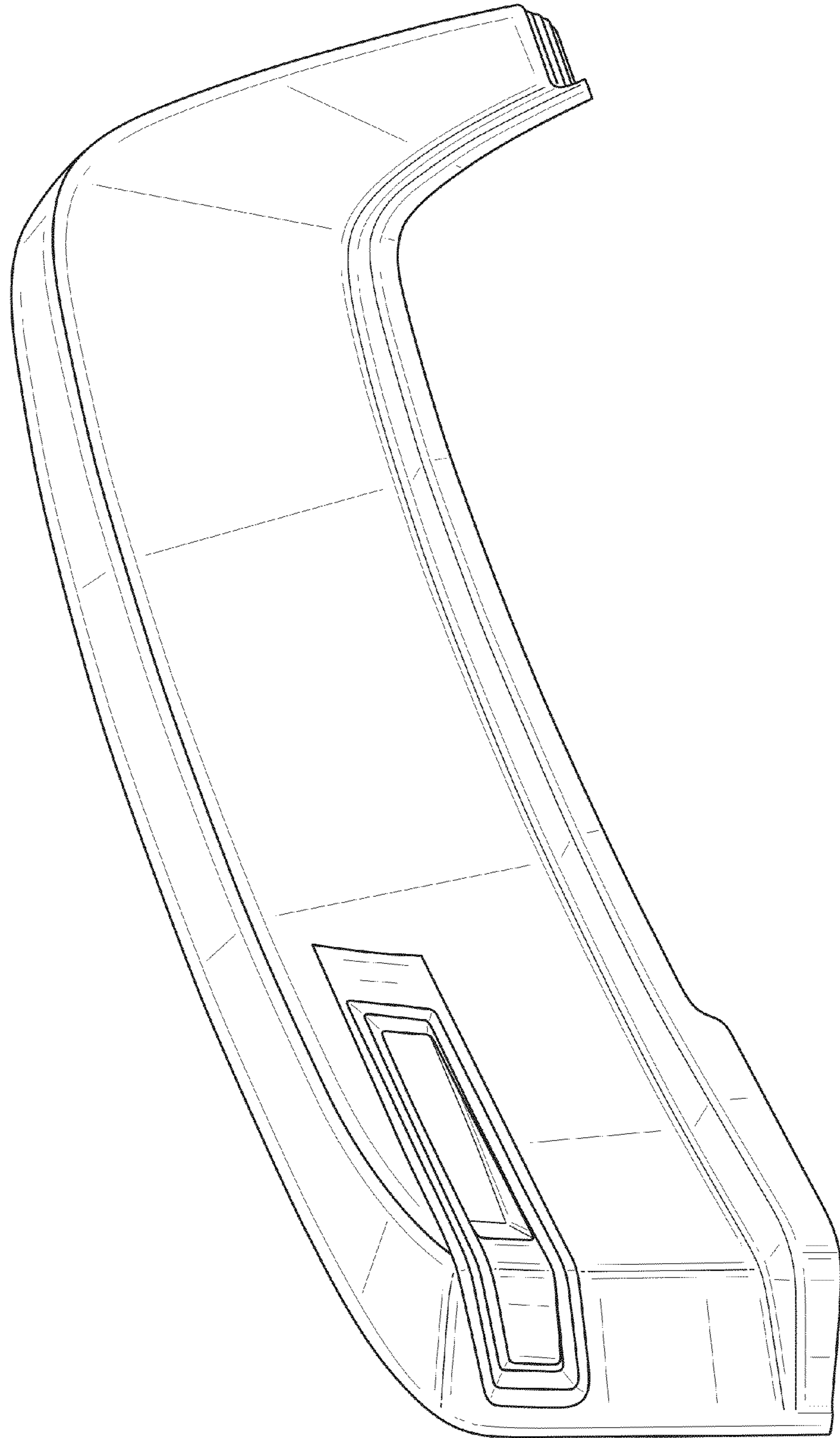
D685,294 S 7/2013 Hanson et al.  
D688,612 S \* 8/2013 Liao ..... D12/190  
D695,171 S \* 12/2013 Riggs et al. .... D12/184  
D699,651 S \* 2/2014 Peltola et al. .... D12/184  
D707,163 S \* 6/2014 Peltola et al. .... D12/184  
D712,324 S \* 9/2014 McFarlin et al. .... D12/181  
2005/0275212 A1\* 12/2005 Angelaitis ..... 280/847

2009/0302645 A1\* 12/2009 Egging et al. .... 296/198  
2014/0125046 A1\* 5/2014 Yen ..... 280/851

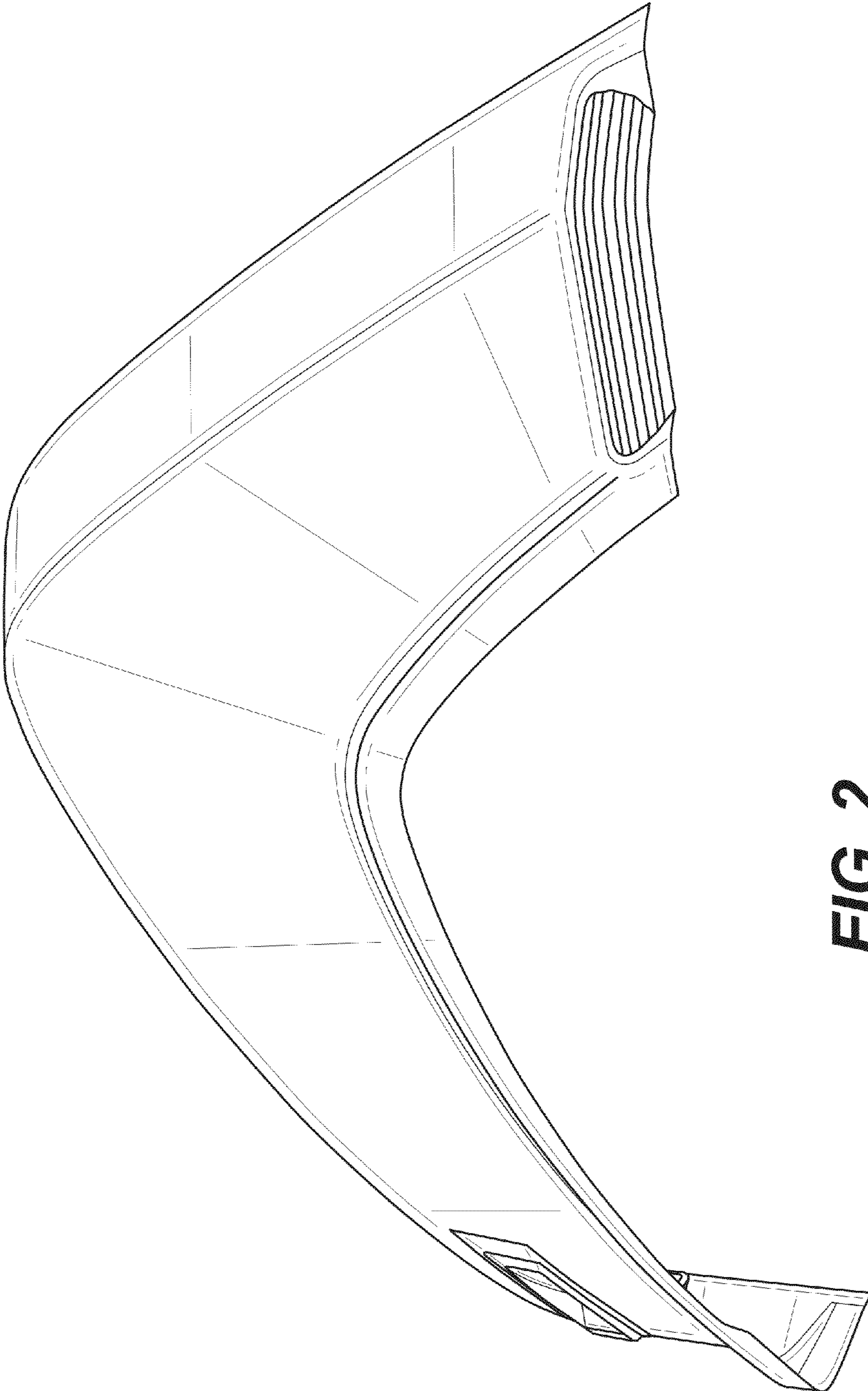
OTHER PUBLICATIONS

Non-Provisional U.S. Appl. No. 14/274,196; Tilting Hood Assembly  
Having Fender-Mounted Handle; Eric Hanson et al; filed May 9,  
2014.

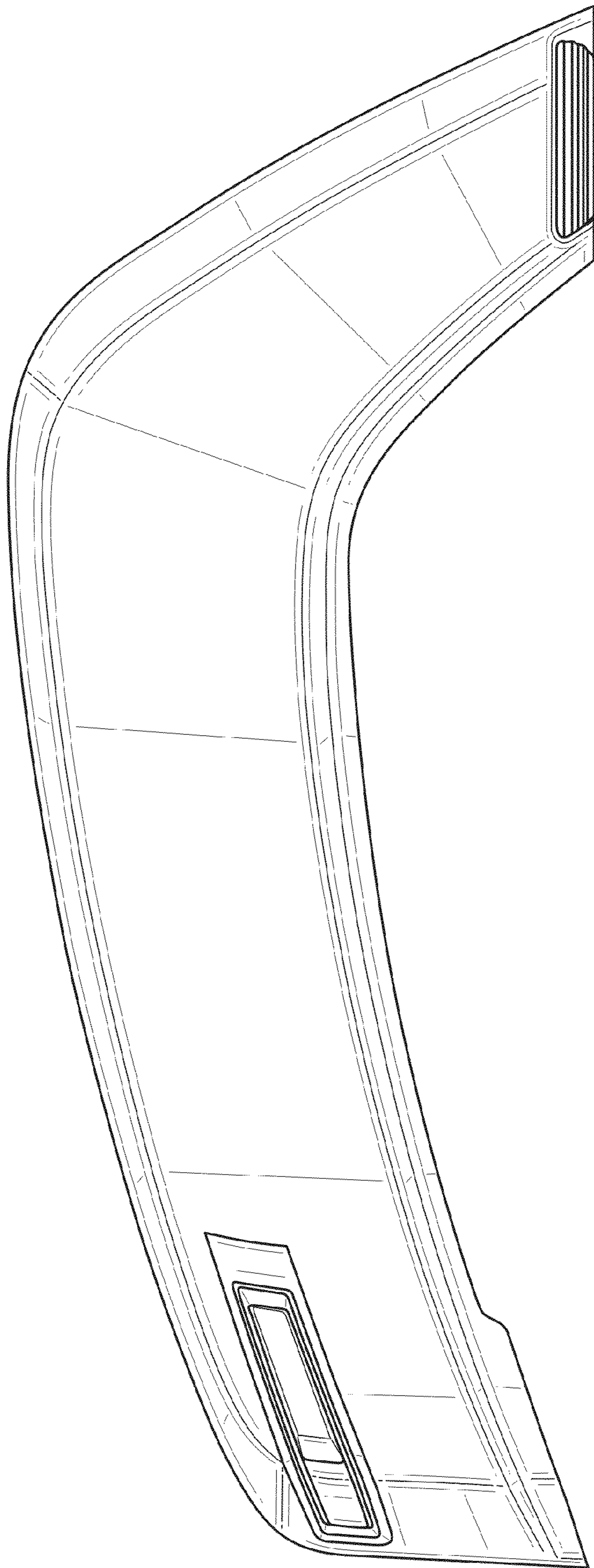
\* cited by examiner



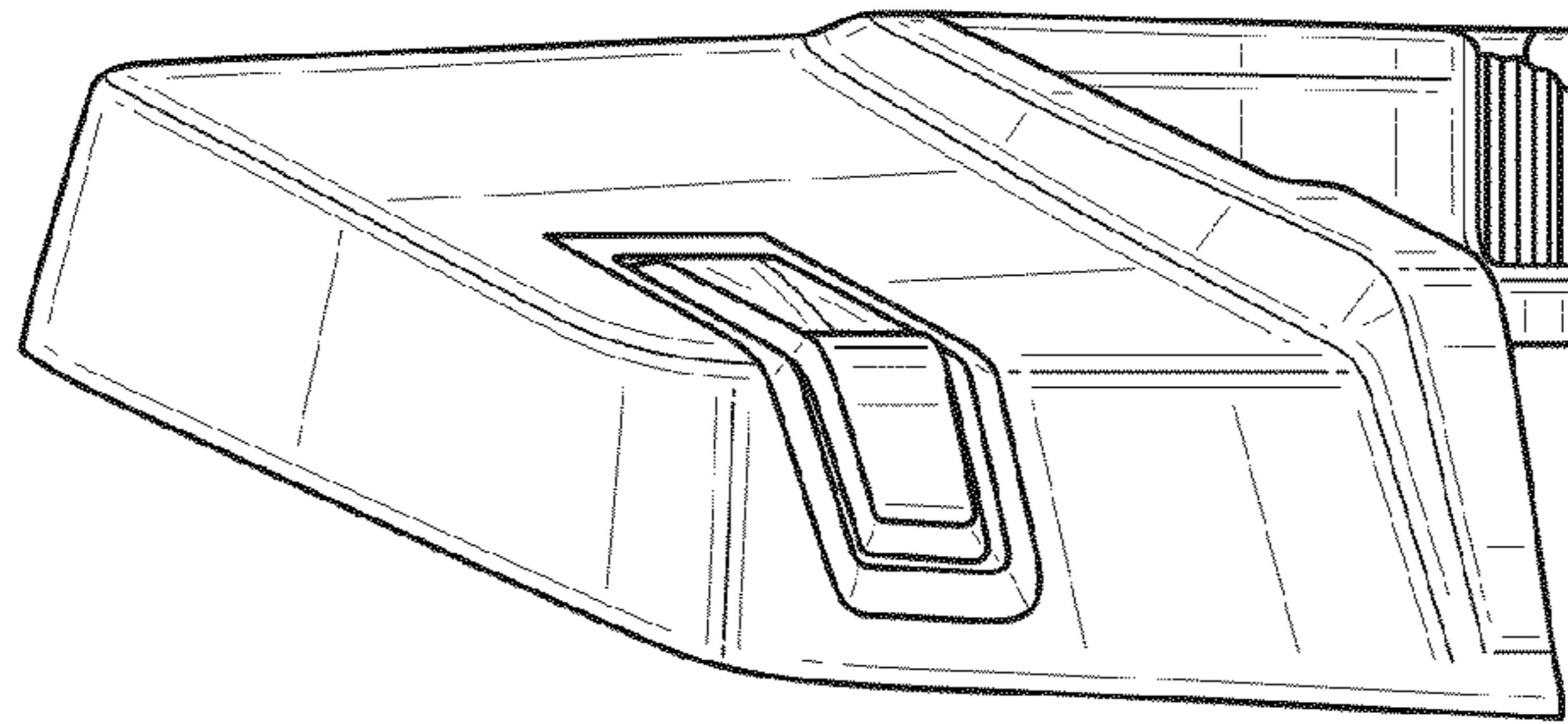
**FIG. 1**



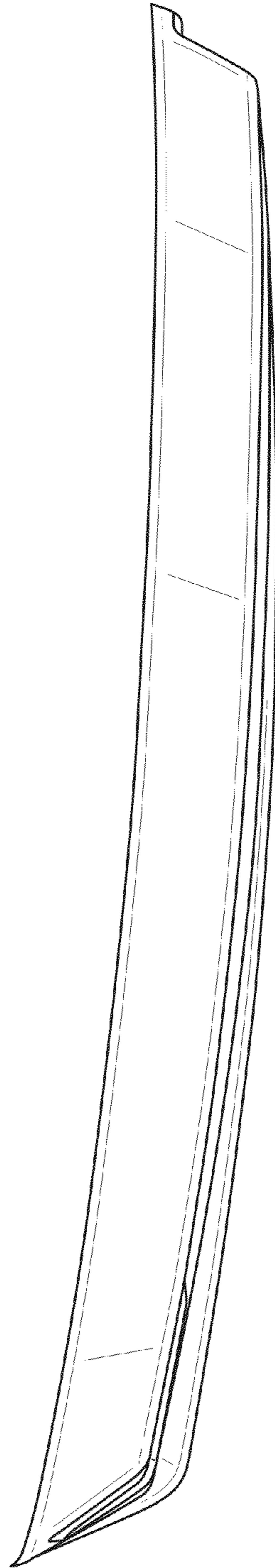
**FIG. 2**



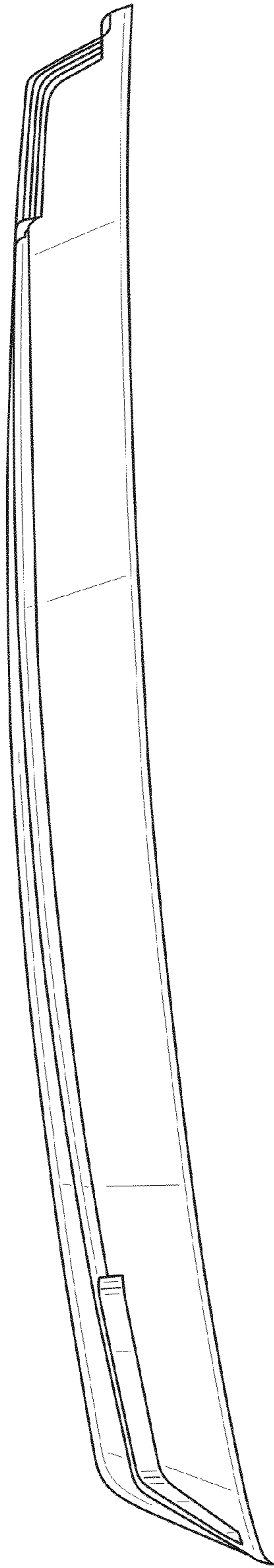
**FIG. 3**



**FIG. 4**



**FIG. 5**



**FIG. 6**