



US00D741234S

(12) **United States Design Patent**
Hanson et al.

(10) **Patent No.:** **US D741,234 S**

(45) **Date of Patent:** **** Oct. 20, 2015**

- (54) **FENDER FLARE**
- (71) Applicant: **Caterpillar Inc.**, Peoria, IL (US)
- (72) Inventors: **Eric Hanson**, Valparaiso, IN (US);
Jonathan Wicks, Batavia, IL (US)
- (73) Assignee: **Caterpillar Inc.**, Peoria, IL (US)
- (**) Term: **14 Years**
- (21) Appl. No.: **29/486,940**
- (22) Filed: **Apr. 4, 2014**
- (51) **LOC (10) Cl.** **12-16**
- (52) **U.S. Cl.**
USPC **D12/184**
- (58) **Field of Classification Search**
USPC D12/101, 106, 184, 190, 196; 150/154;
280/152.1, 152.2, 152.3, 160.1,
280/414.1-414.3, 770, 847-851; 296/192,
296/193.04, 193.05, 198; 180/223, 225,
180/229, 311, 312, 315
See application file for complete search history.

- D623,103 S * 9/2010 Braga D12/181
- D632,224 S 2/2011 Peltola et al.
- D633,016 S * 2/2011 Iuchi D12/181
- D641,671 S * 7/2011 Reid D12/181
- D653,994 S 2/2012 Fukushima et al.
- D660,207 S * 5/2012 Hanson et al. D12/184
- 8,408,608 B2 4/2013 Wilkens et al.
- D685,294 S 7/2013 Hanson et al.

(Continued)

OTHER PUBLICATIONS

U.S. Appl. No. 61/975,114; Tilting Hood Assembly Having Fender-Mounted Handle; Eric Hanson et al.; filed Apr. 4, 2014.

(Continued)

Primary Examiner — Philip S Hyder
Assistant Examiner — Darlington Ly
(74) *Attorney, Agent, or Firm* — Finnegan, Henderson, Farabow, Garrett & Dunner, LLP

(57) **CLAIM**

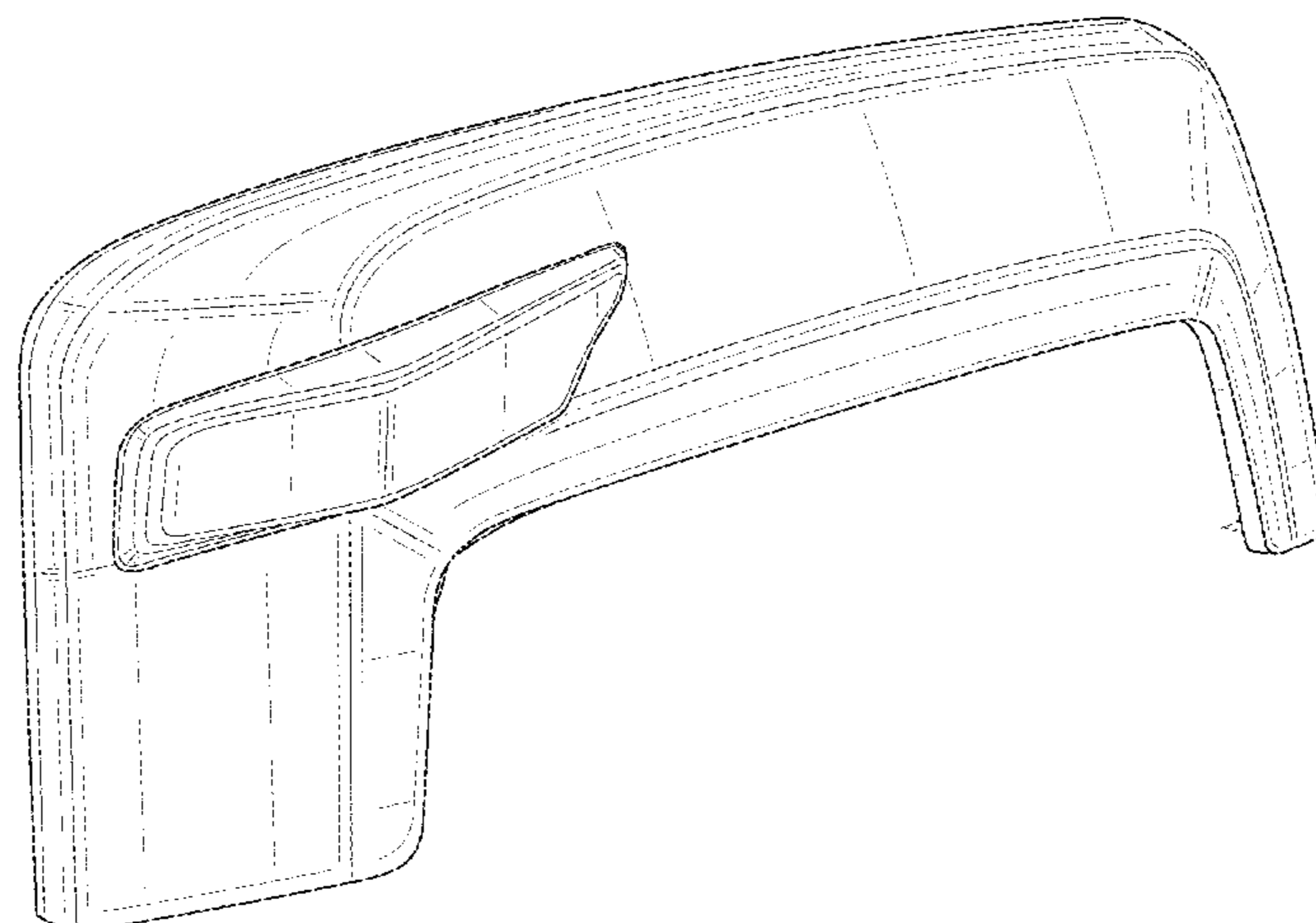
The ornamental design for a fender flare, as shown and described.

DESCRIPTION

FIG. 1 is a front left perspective view showing our new design;
FIG. 2 is a front elevation view thereof;
FIG. 3 is a left side view thereof;
FIG. 4 is a rear elevation view thereof;
FIG. 5 is a top plan view thereof; and,
FIG. 6 is a bottom plan view thereof.
The claimed design includes a mirror image of the embodiment depicted.
The broken lines shown in the drawings illustrate portions of the fender flare that form no part of the claimed design. The side of the fender flare immediately adjacent to the truck body is not seen during ordinary use and is not part of the claimed design.

1 Claim, 6 Drawing Sheets

- (56) **References Cited**
- U.S. PATENT DOCUMENTS
- D286,031 S 10/1986 Breitschwerdt et al.
- 4,813,736 A 3/1989 Schubert et al.
- D340,022 S * 10/1993 Lawrence D12/184
- D340,214 S * 10/1993 Lawrence D12/184
- D345,332 S * 3/1994 Roman D12/184
- D345,333 S * 3/1994 Roman D12/184
- 5,984,037 A 11/1999 Duhem
- 6,431,605 B1 * 8/2002 Miller et al. 280/854
- D467,202 S 12/2002 Mondragon Sarmiento et al.
- 6,666,291 B2 12/2003 Hyslop et al.
- D511,727 S * 11/2005 Shaw et al. D12/184
- D524,202 S * 7/2006 Devitt D12/184
- D545,253 S * 6/2007 Jones D12/184
- D582,825 S * 12/2008 Logan D12/196
- D619,049 S 7/2010 Beigel et al.
- D623,091 S 9/2010 Beigel et al.
- D623,092 S 9/2010 Beigel et al.



US D741,234 S

Page 2

(56)

References Cited

U.S. PATENT DOCUMENTS

D688,612 S * 8/2013 Liao D12/190
D695,171 S * 12/2013 Riggs et al. D12/184
D699,651 S * 2/2014 Peltola et al. D12/184
D707,163 S * 6/2014 Peltola et al. D12/184
D712,324 S * 9/2014 McFarlin et al. D12/181
2005/0275212 A1* 12/2005 Angelaitis 280/847

2009/0302645 A1* 12/2009 Egging et al. 296/198
2014/0125046 A1* 5/2014 Yen 280/851

OTHER PUBLICATIONS

U.S. Appl. No. 14/274,196; Tilting Hood Assembly Having Fender-Mounted Handle; Eric Hanson et al; filed May 9, 2014.

* cited by examiner

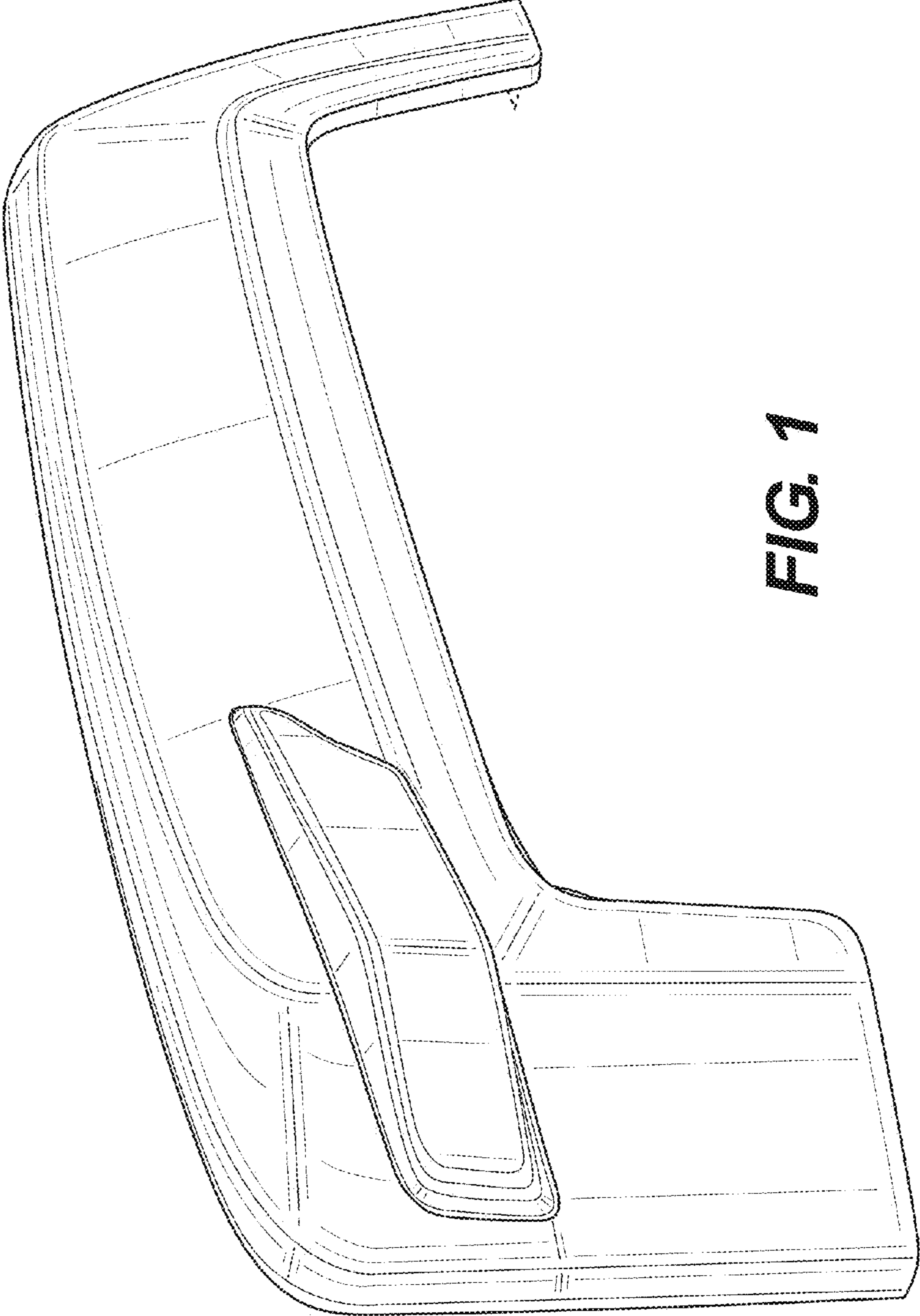


FIG. 1

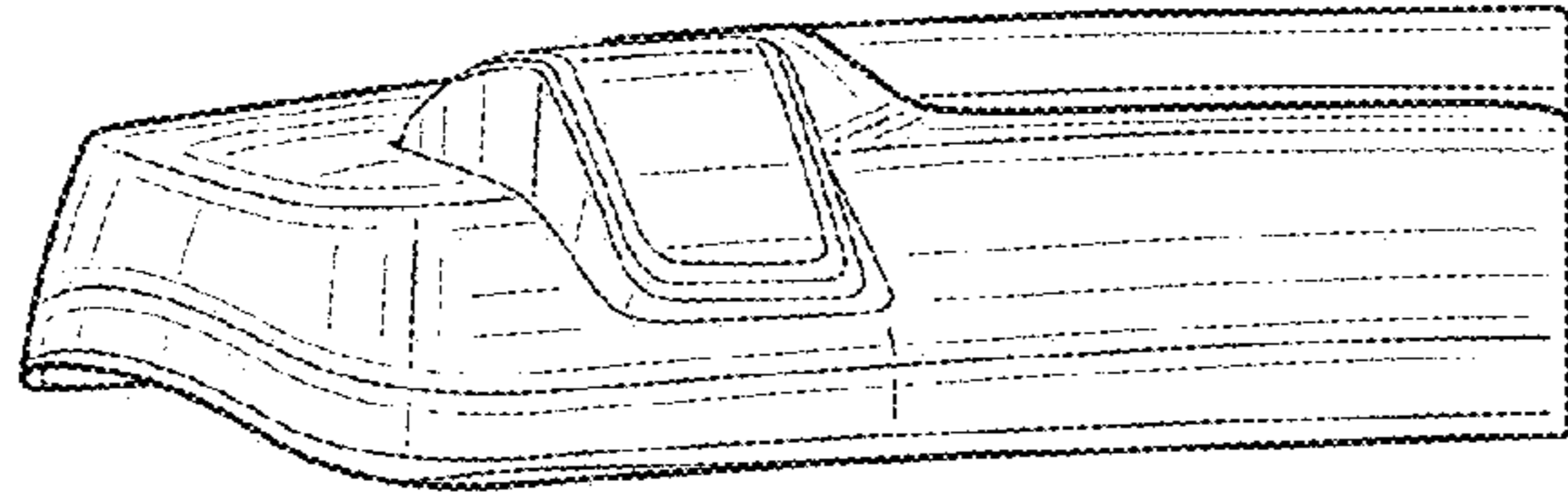


FIG. 2

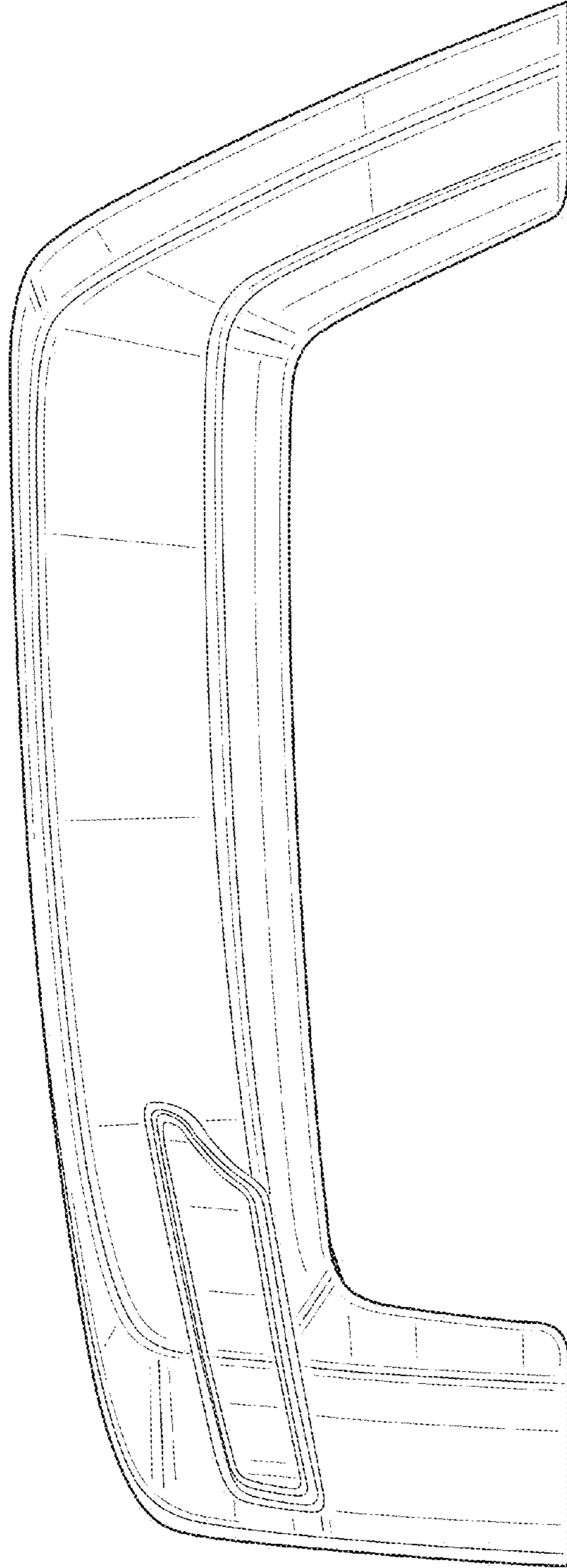


FIG. 3

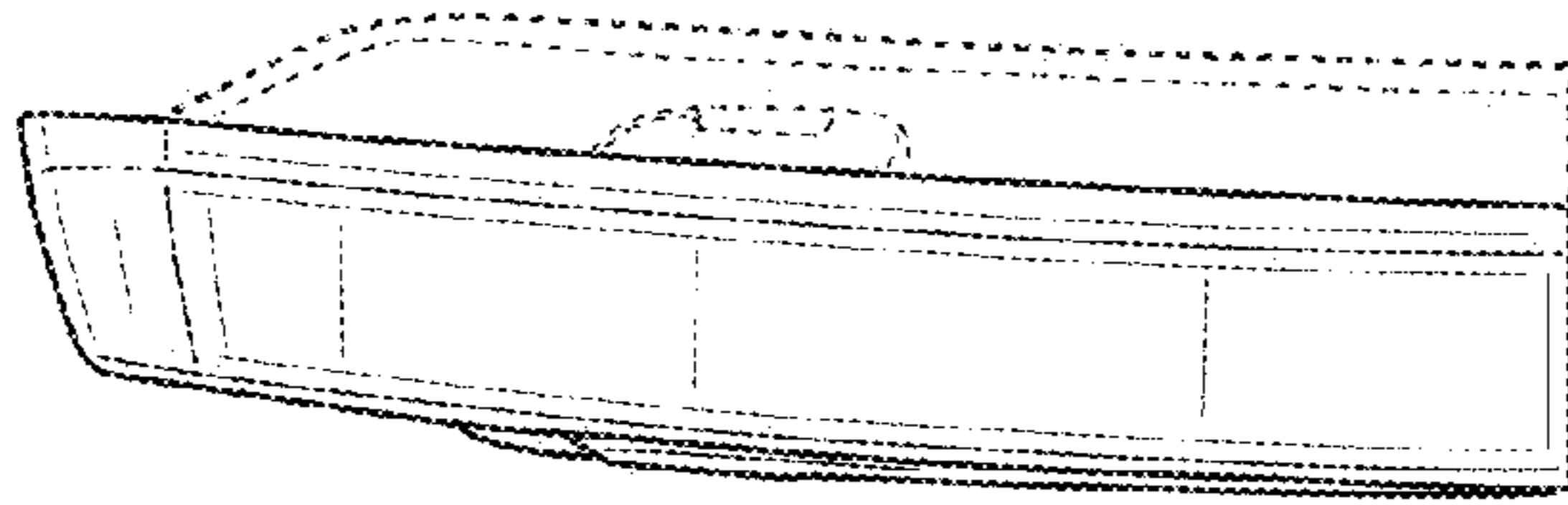


FIG. 4

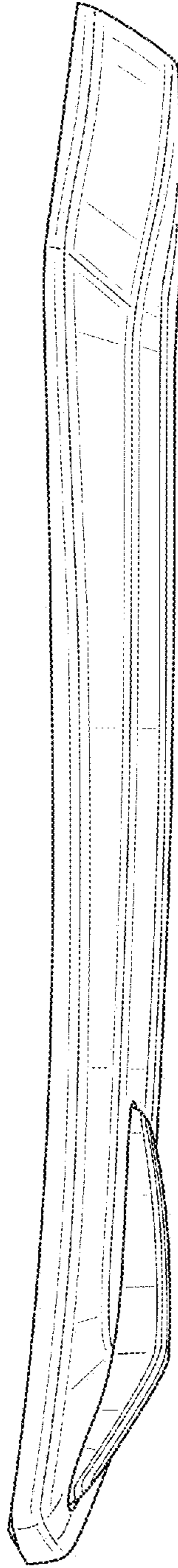


FIG. 5

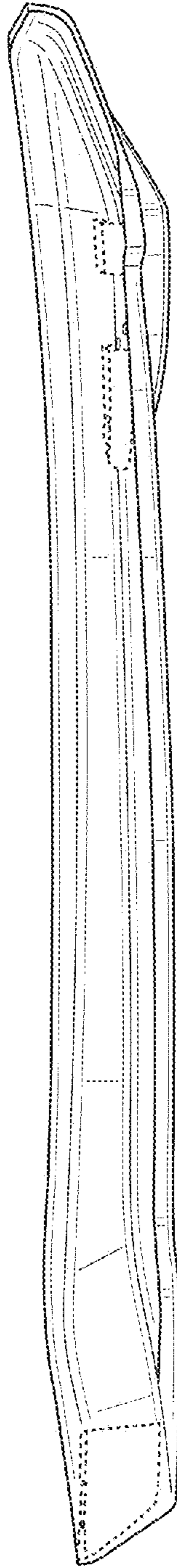


FIG. 6