



US00D741232S

(12) **United States Design Patent**
Schoonover

(10) **Patent No.:** **US D741,232 S**

(45) **Date of Patent:** **** Oct. 20, 2015**

(54) **HINGED BULB SEAL**

(71) Applicant: **LTI Flexible Products, Inc.**, Modesto, CA (US)

(72) Inventor: **James Schoonover**, Shelby Township, MI (US)

(73) Assignee: **LTI Flexible Products, Inc.**, Modesto, CA (US)

(**) Term: **14 Years**

(21) Appl. No.: **29/493,278**

(22) Filed: **Jun. 6, 2014**

(51) **LOC (10) Cl.** **12-10**

(52) **U.S. Cl.**
USPC **D12/106**

(58) **Field of Classification Search**
USPC D12/106, 19, 129, 100-105, 111-112;
D21/425, 435; D34/16-19; 280/204,
280/205, 63, 475, 482, 647; 296/168, 180,
296/180.2, 61, 10, 100.01-100.08
See application file for complete search history.

(56) **References Cited**

U.S. PATENT DOCUMENTS

5,009,462 A * 4/1991 Katcherian 296/201
5,221,564 A * 6/1993 Keys 428/31

6,073,936 A * 6/2000 Kirchmann et al. 277/640
D606,473 S * 12/2009 Schlater D12/190
D606,474 S * 12/2009 Schlater D12/190
D636,313 S * 4/2011 Schlater D12/190
D648,657 S * 11/2011 Schoonover et al. D12/106
D651,146 S * 12/2011 Schoonover et al. D12/190
D669,820 S * 10/2012 Schoonover et al. D12/106

* cited by examiner

Primary Examiner — Katrina A Betton

(74) *Attorney, Agent, or Firm* — Botkin & Hall, LLP

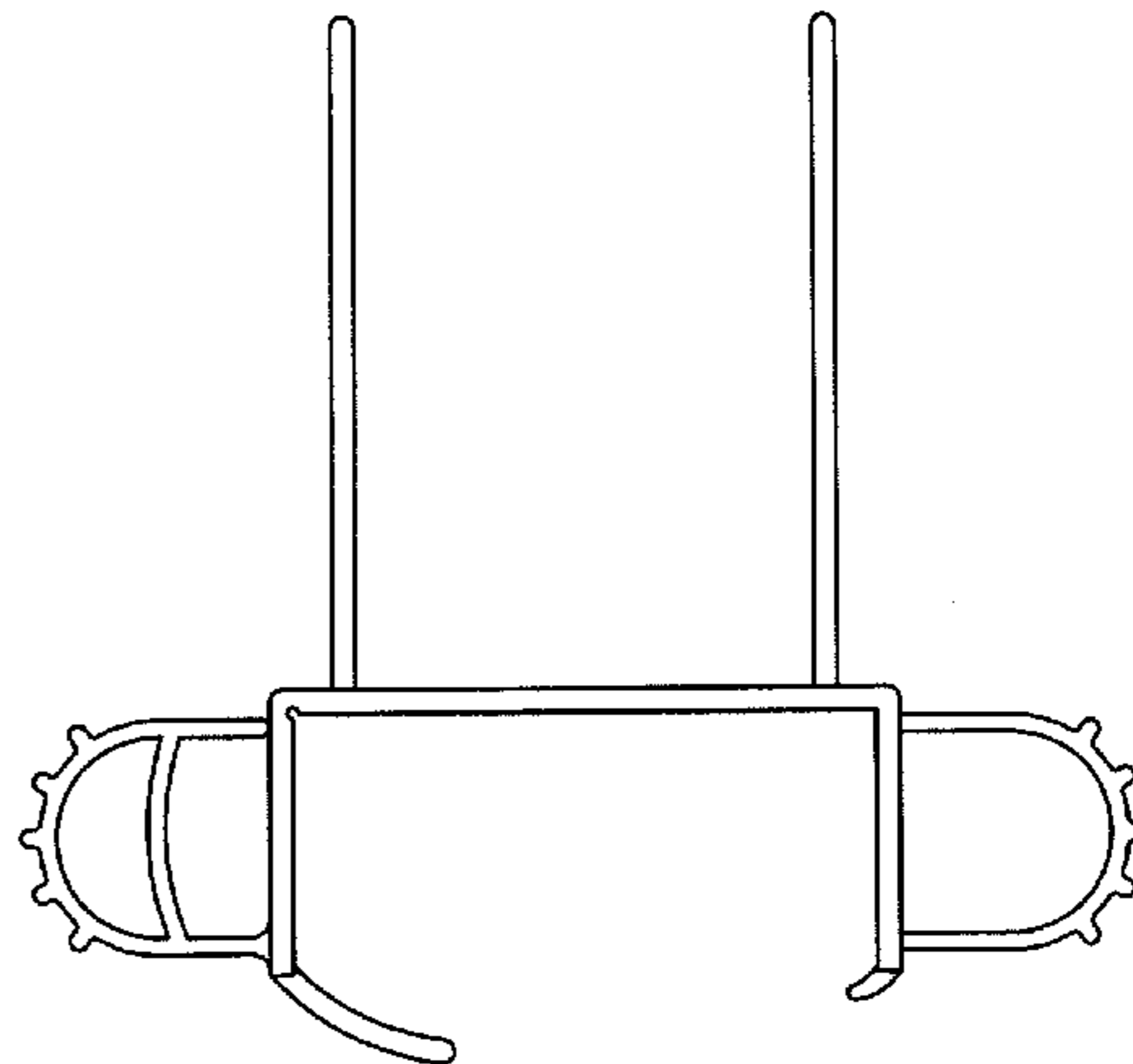
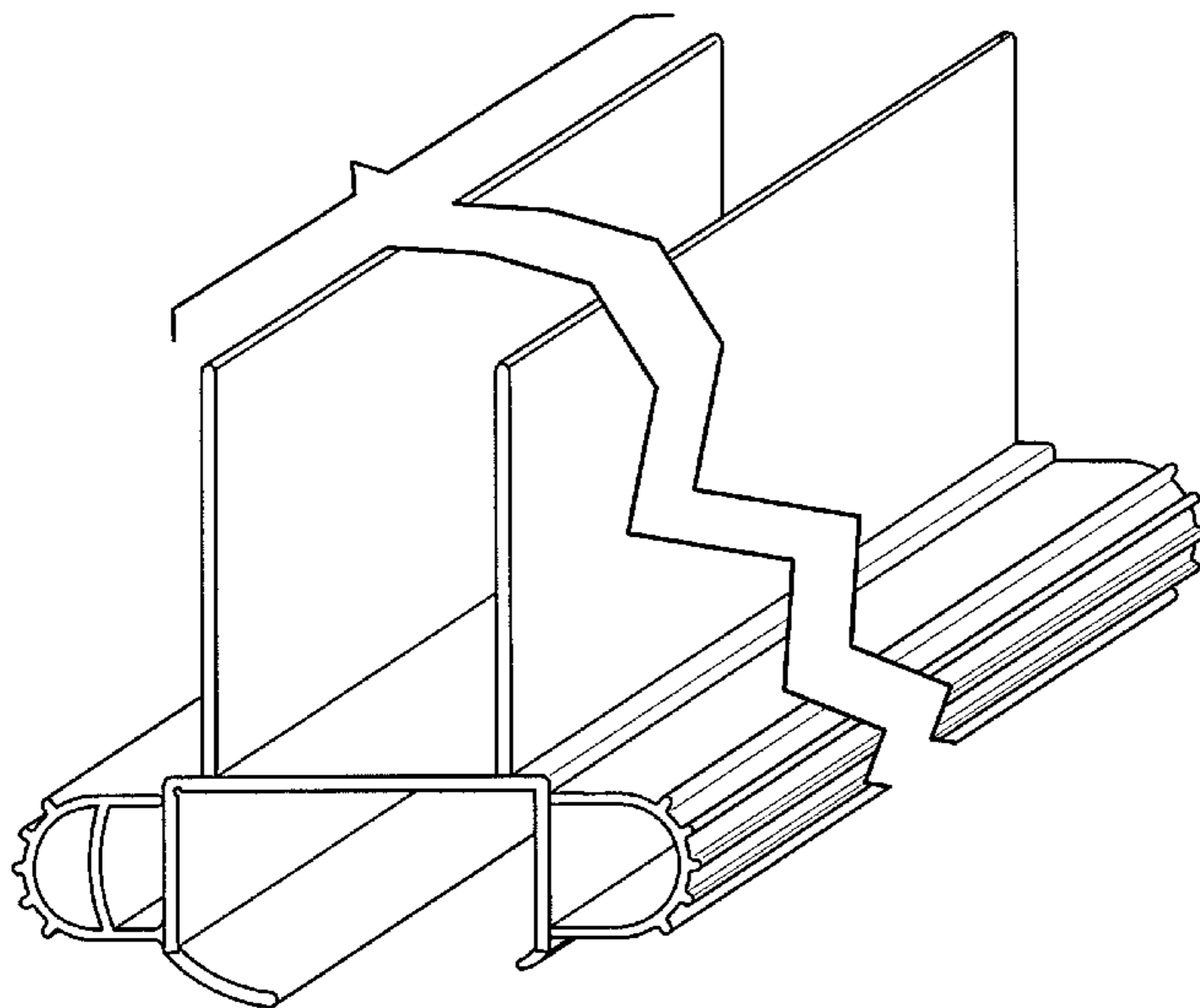
(57) **CLAIM**

The ornamental design for a hinged bulb seal, as shown and described.

DESCRIPTION

FIG. 1 is a perspective view of a hinged bulb seal, in accordance with the present invention;
FIG. 2 is a front elevation view of the hinged bulb seal of FIG. 1, in accordance with the present invention;
FIG. 3 is a top plan view of the hinged bulb seal of FIGS. 1-2, in accordance with the present invention;
FIG. 4 is a left side elevation view of the hinged bulb seal of FIGS. 1-3, in accordance with the present invention;
FIG. 5 is a right side elevation view of the hinged bulb seal of FIGS. 1-4, in accordance with the present invention; and,
FIG. 6 is a bottom plan view of the hinged bulb seal of FIGS. 1-5, in accordance with the present invention.

1 Claim, 3 Drawing Sheets



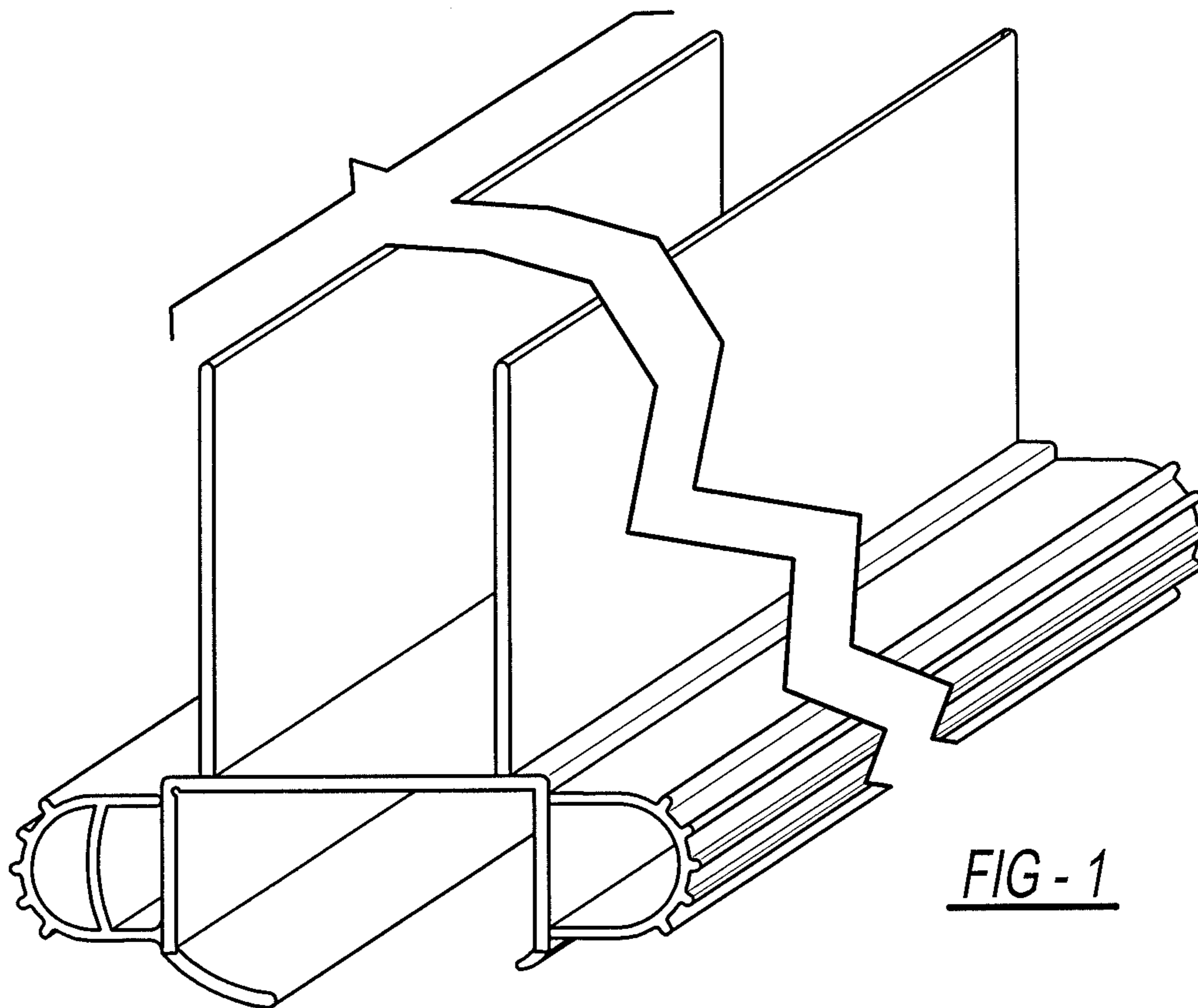
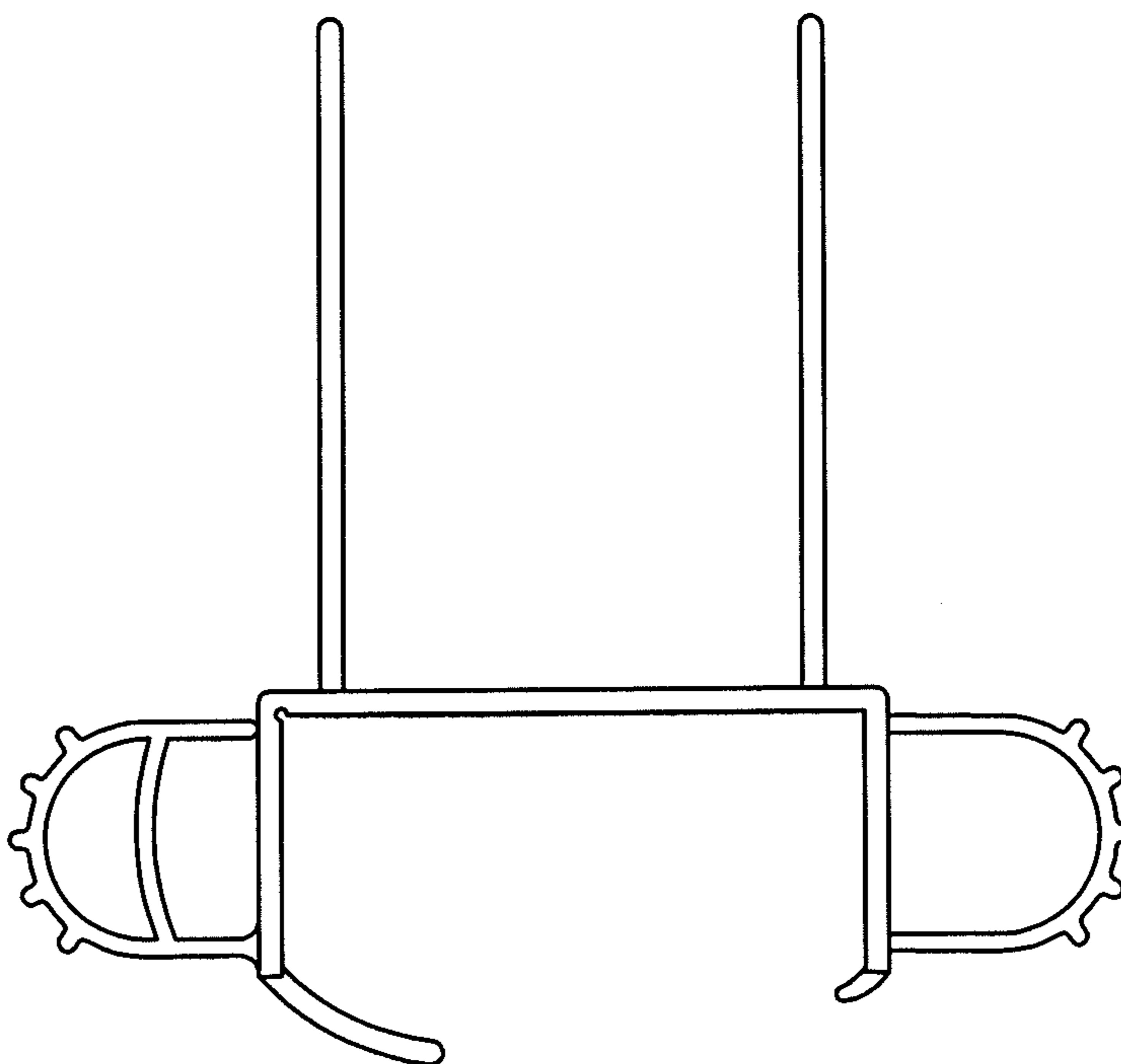


FIG - 2



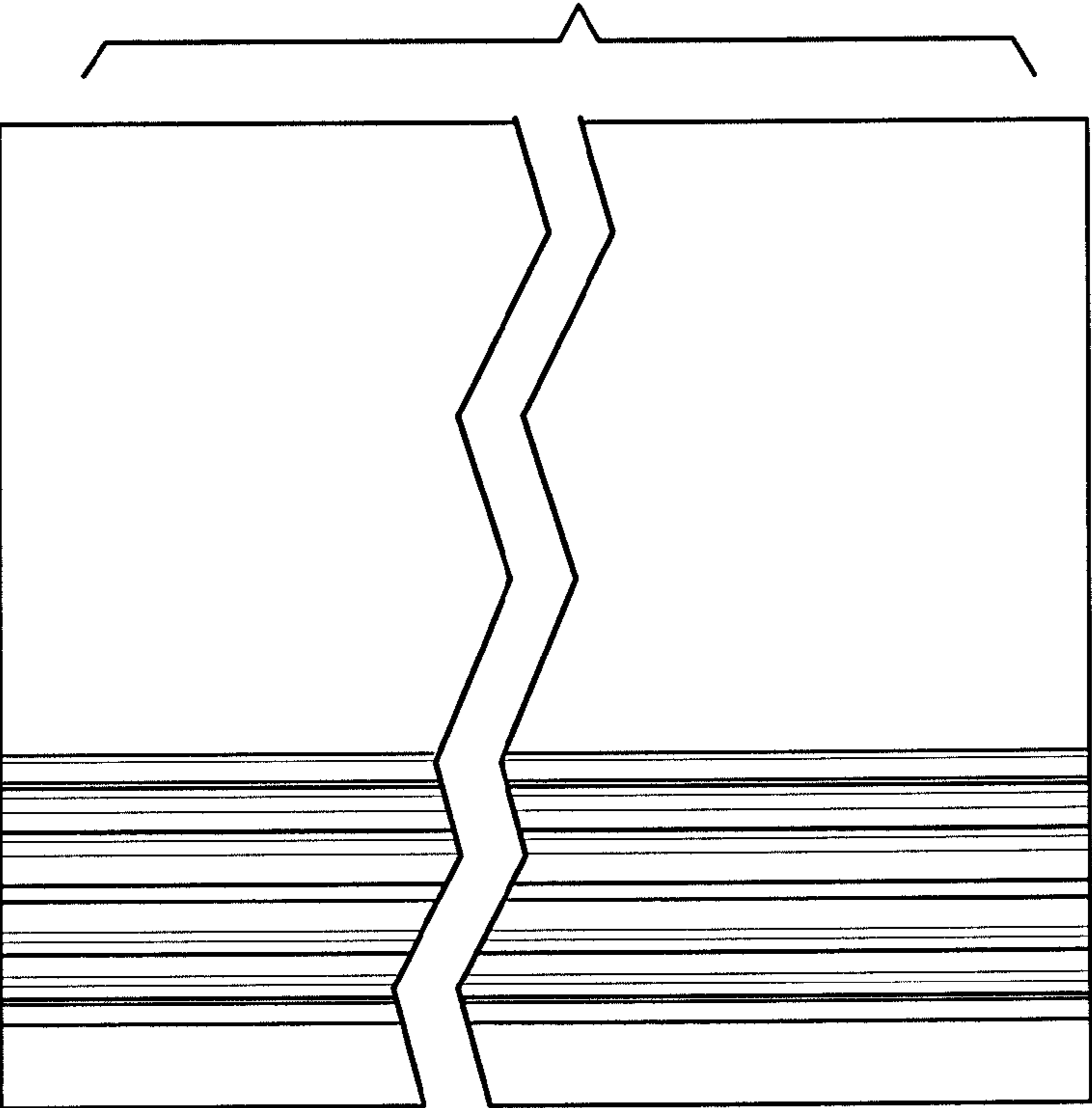
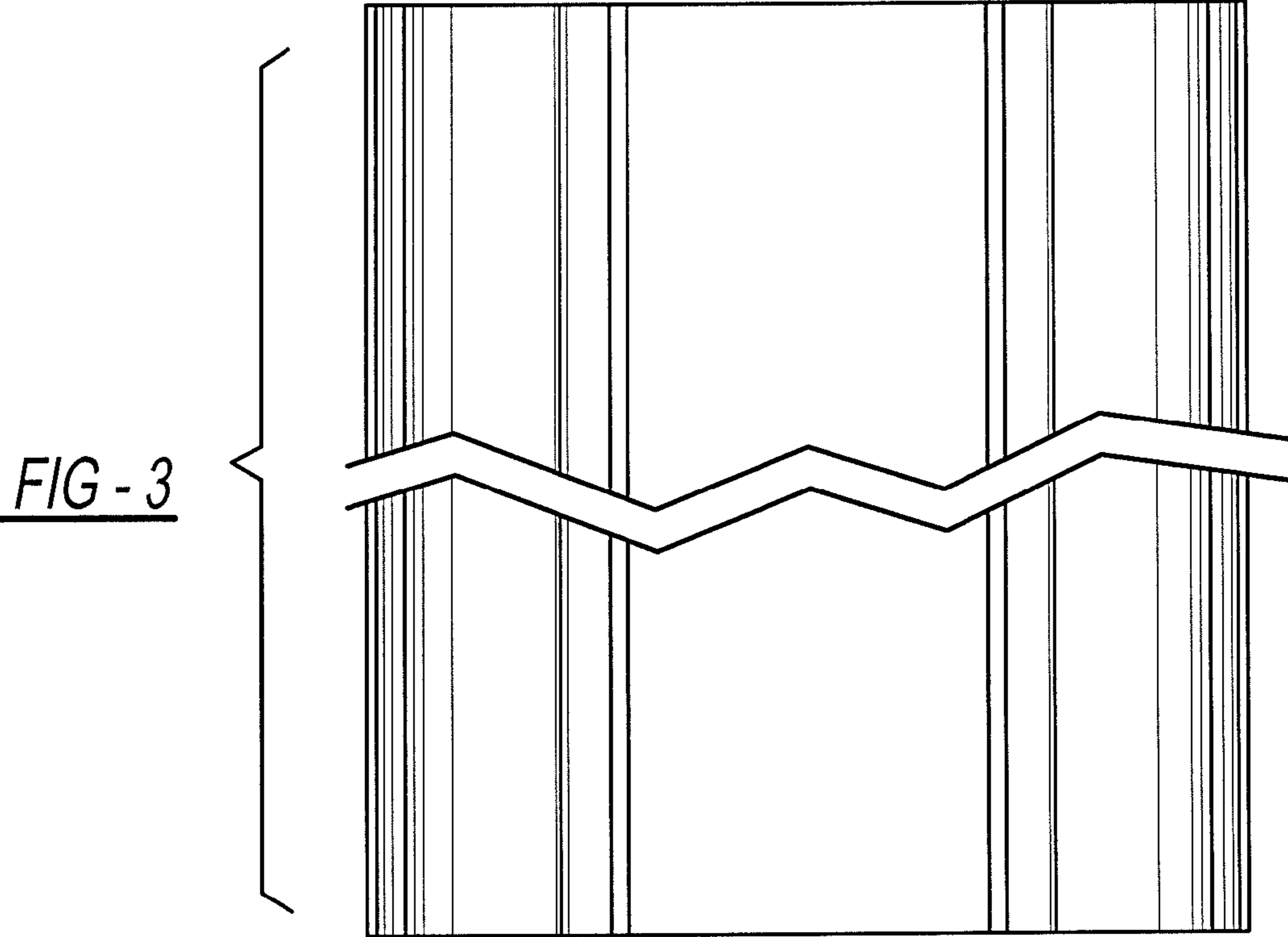


FIG - 4

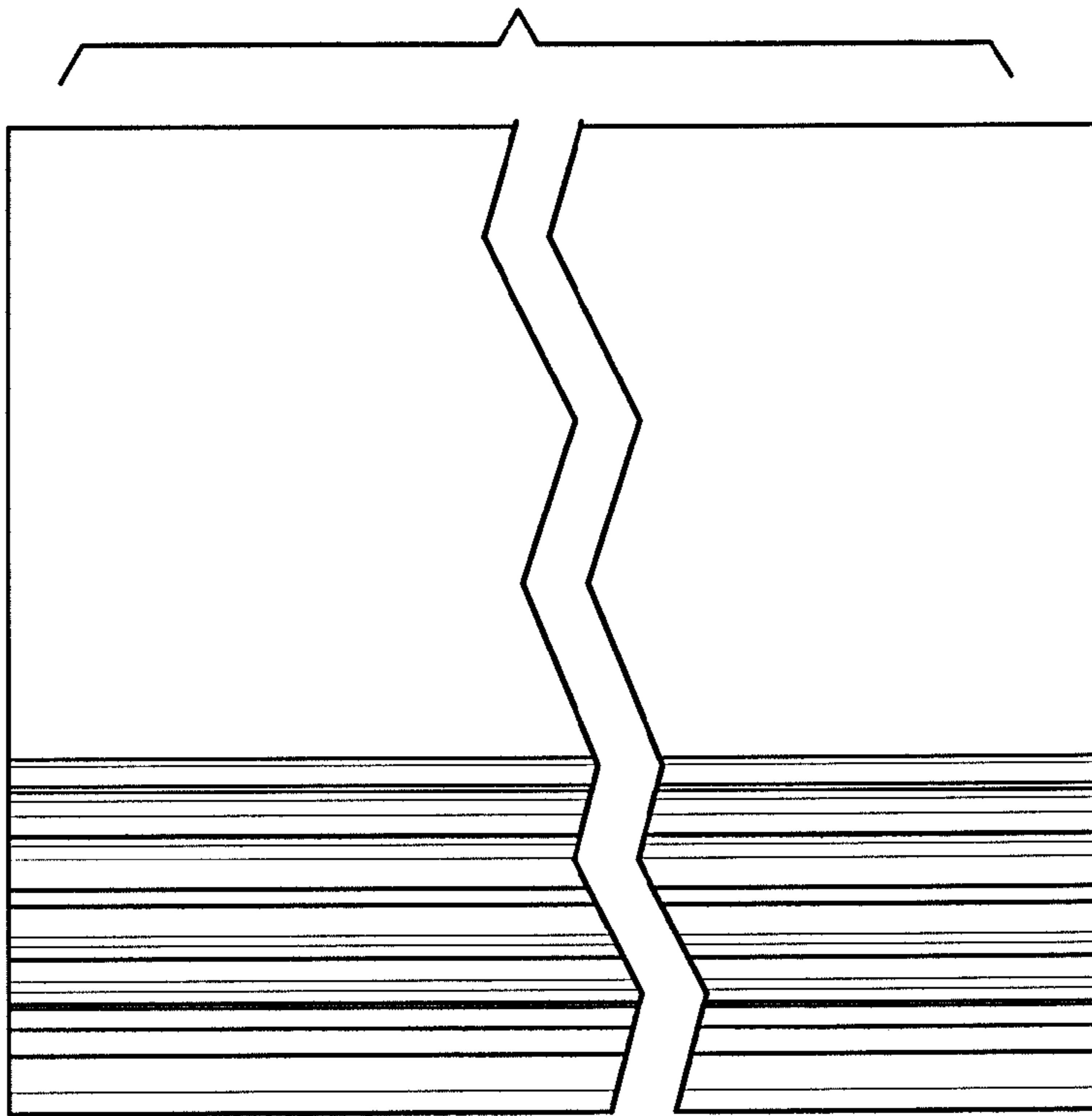


FIG - 5

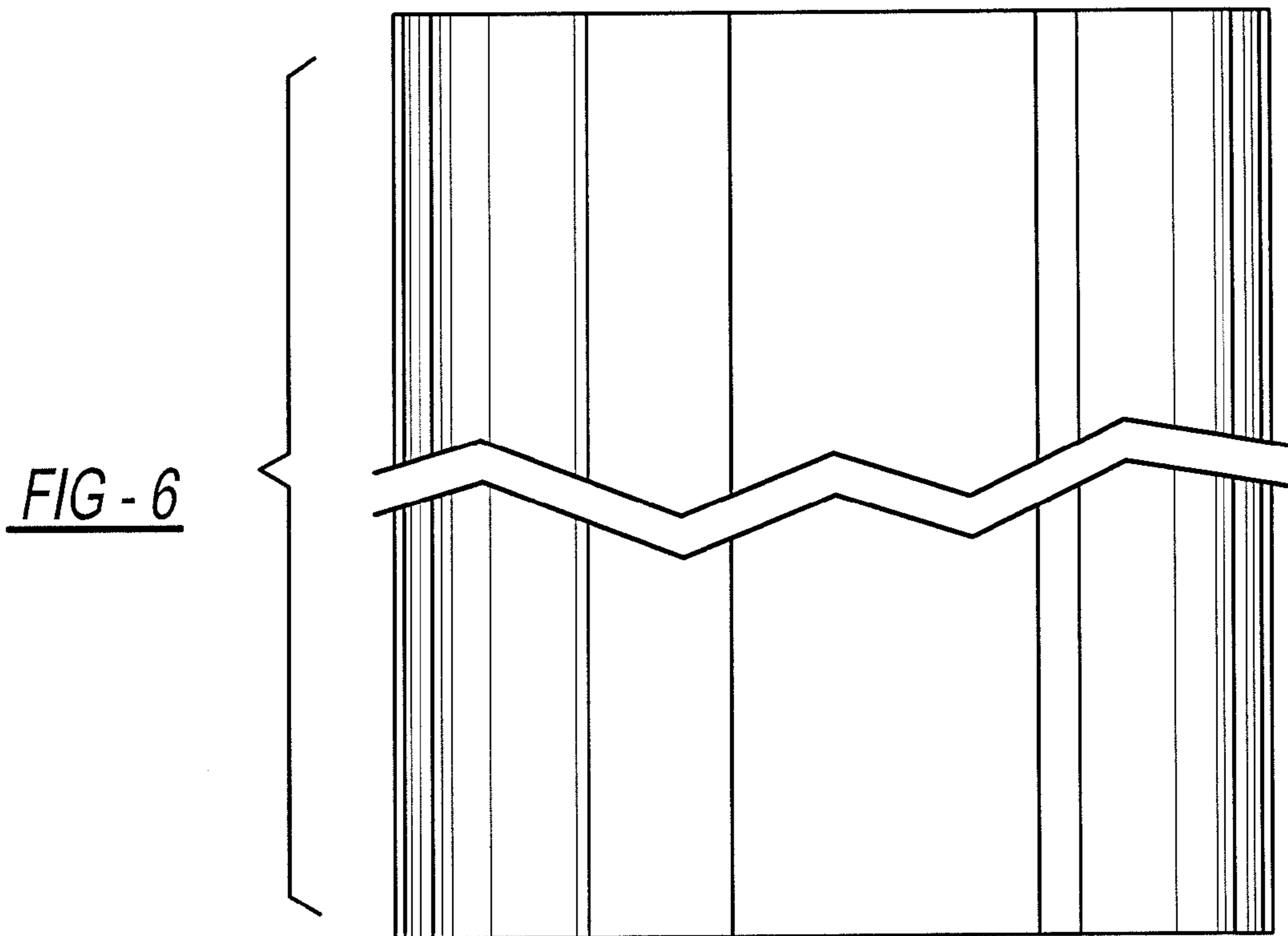


FIG - 6