



US00D741231S

(12) **United States Design Patent**  
**Schoonover**

(10) **Patent No.:** **US D741,231 S**  
(45) **Date of Patent:** **\*\* Oct. 20, 2015**

(54) **LOCKING SEAL**

(71) Applicant: **LTI Flexible Products, Inc.**, Modesto, CA (US)

(72) Inventor: **James Schoonover**, Shelby Township, MI (US)

(73) Assignee: **LTI Flexible Products, Inc.**, Modesto, CA (US)

(\*\*) Term: **14 Years**

(21) Appl. No.: **29/465,675**

(22) Filed: **Aug. 30, 2013**

(51) **LOC (10) Cl.** ..... **12-10**

(52) **U.S. Cl.**  
USPC ..... **D12/106**

(58) **Field of Classification Search**  
USPC ..... D12/106, 19, 129, 100-105, 111-112;  
D21/425, 435; D34/16-19; 280/204,  
280/205, 63, 475, 482, 647; 296/168, 180,  
296/180.2, 61, 10, 100.01-100.08  
CPC ..... B60R 13/043; B60R 13/06; B60R 13/04  
See application file for complete search history.

(56) **References Cited**

**U.S. PATENT DOCUMENTS**

5,009,462	A *	4/1991	Katcherian	296/201
5,221,564	A *	6/1993	Keys	428/31
6,073,936	A *	6/2000	Kirchmann et al.	277/640
6,966,590	B1	11/2005	Ksiezopolski et al.	
7,540,116	B1	6/2009	Martinson	

7,614,676	B2	11/2009	Ksiezopolski et al.	
7,614,677	B2	11/2009	Ksiezopolski et al.	
D606,473	S *	12/2009	Schlater	D12/190
D606,474	S *	12/2009	Schlater	D12/190
D636,313	S *	4/2011	Schlater	D12/190
D648,657	S *	11/2011	Schoonover et al.	D12/106
D651,146	S *	12/2011	Schoonover et al.	D12/190
D669,820	S	10/2012	Schoonover et al.	
8,366,168	B1	2/2013	Ksiezopolski et al.	
8,382,124	B2	2/2013	Ksiezopolski et al.	
8,408,625	B1	4/2013	Ksiezopolski et al.	

\* cited by examiner

*Primary Examiner* — Katrina A Betton

(74) *Attorney, Agent, or Firm* — Botkin & Hall, LLP

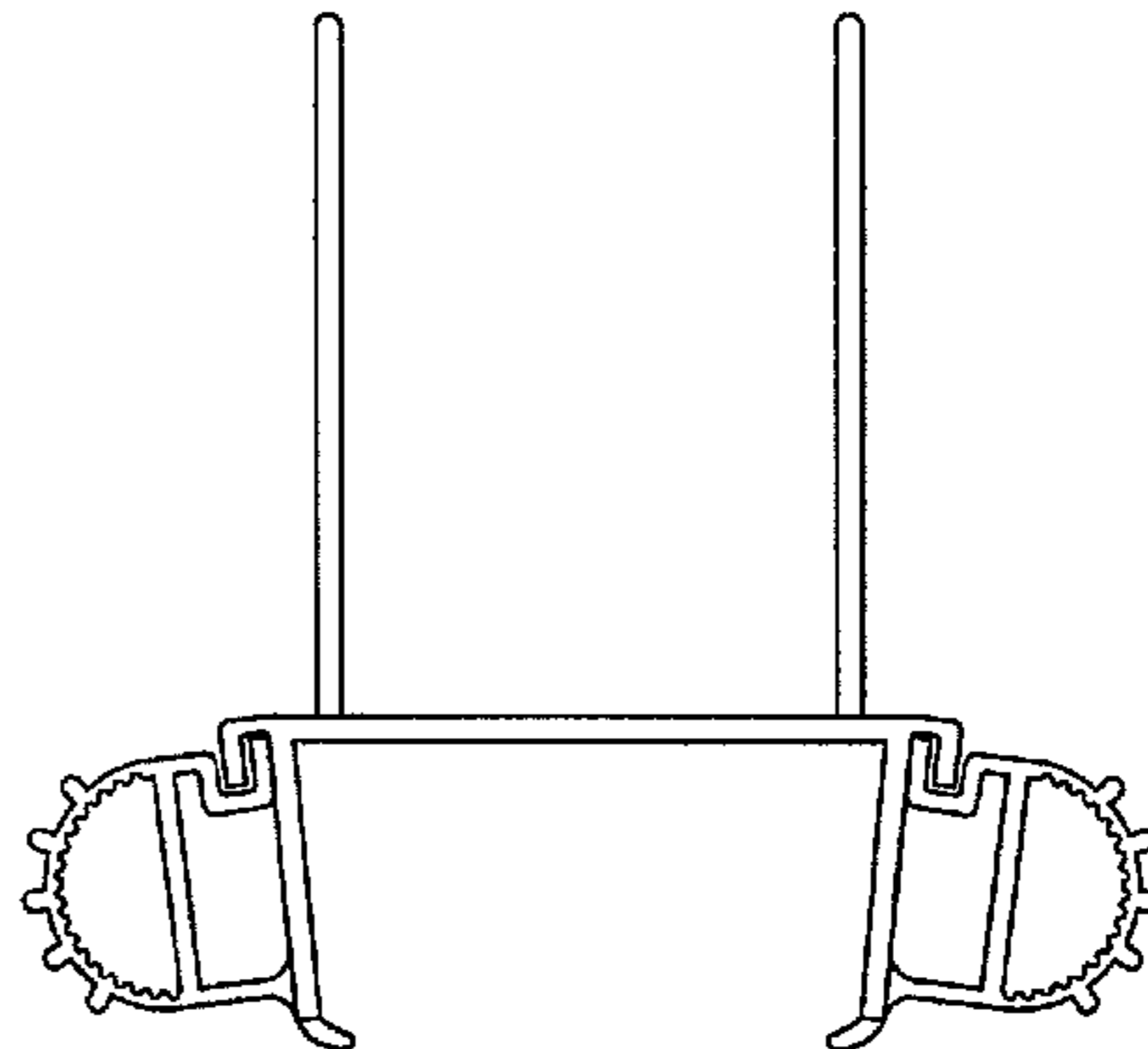
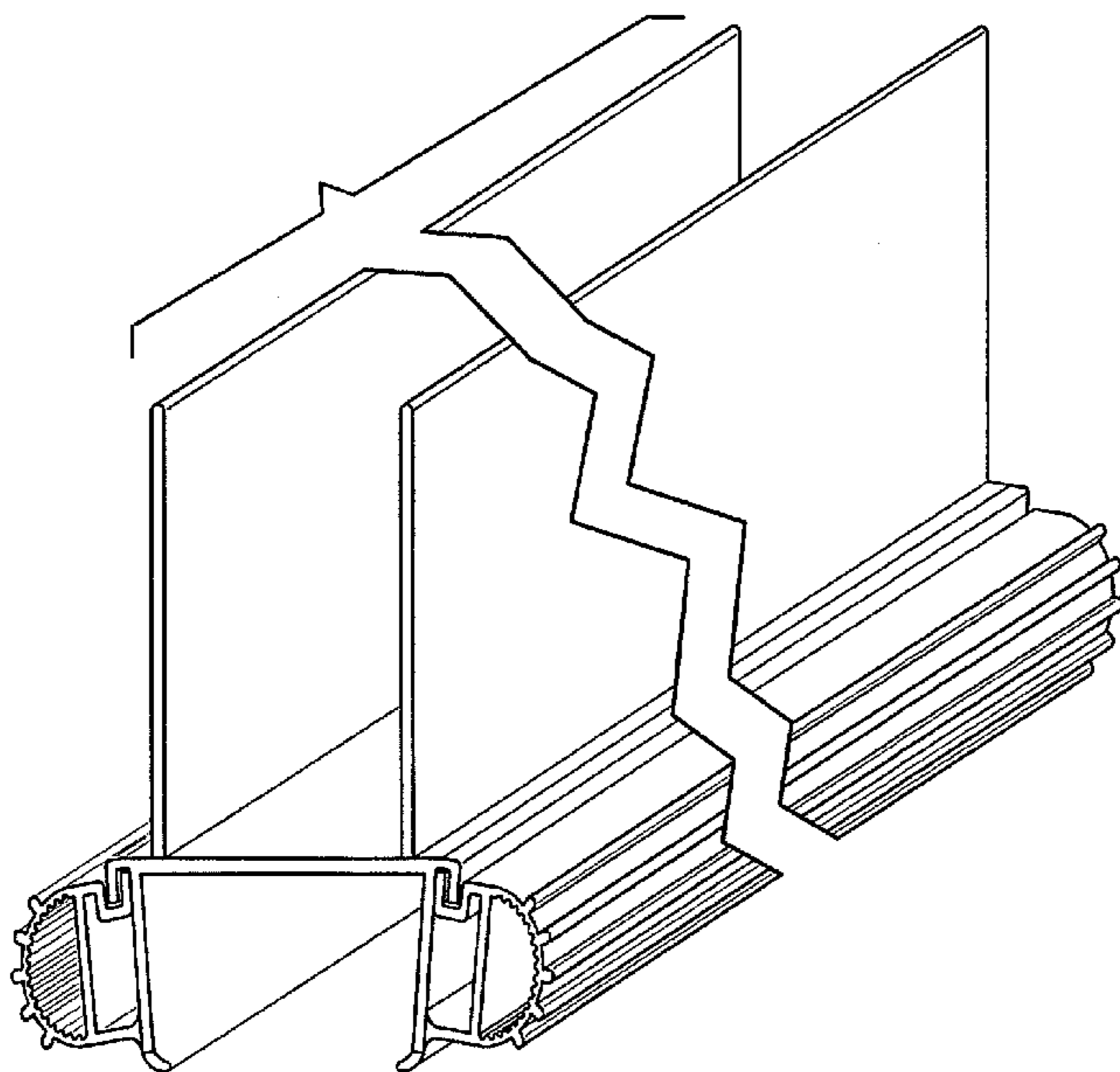
(57) **CLAIM**

The ornamental design for a locking seal, as shown and described.

**DESCRIPTION**

FIG. 1 is a perspective view of a locking seal, in accordance with the present invention;  
FIG. 2 is a front elevation view of the locking seal of FIG. 1, in accordance with the present invention;  
FIG. 3 is a top plan view of the locking seal of FIGS. 1-2, in accordance with the present invention;  
FIG. 4 is a right side elevation view of the locking seal of FIGS. 1-3, in accordance with the present invention, the left side view of the locking seal is a mirror image; and,  
FIG. 5 is a bottom plan view of the locking seal of FIGS. 1-4, in accordance with the present invention.

**1 Claim, 3 Drawing Sheets**



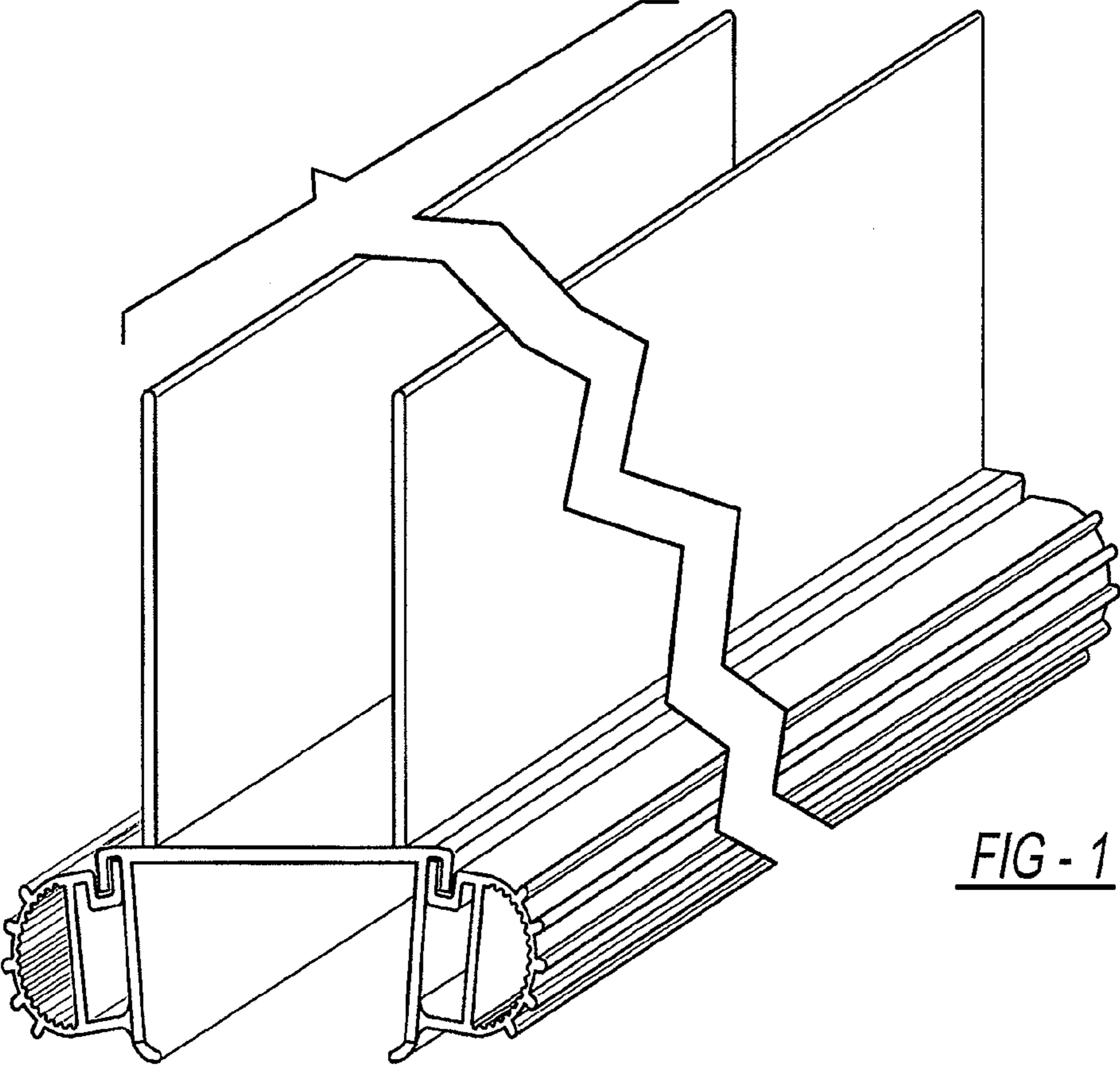


FIG - 1

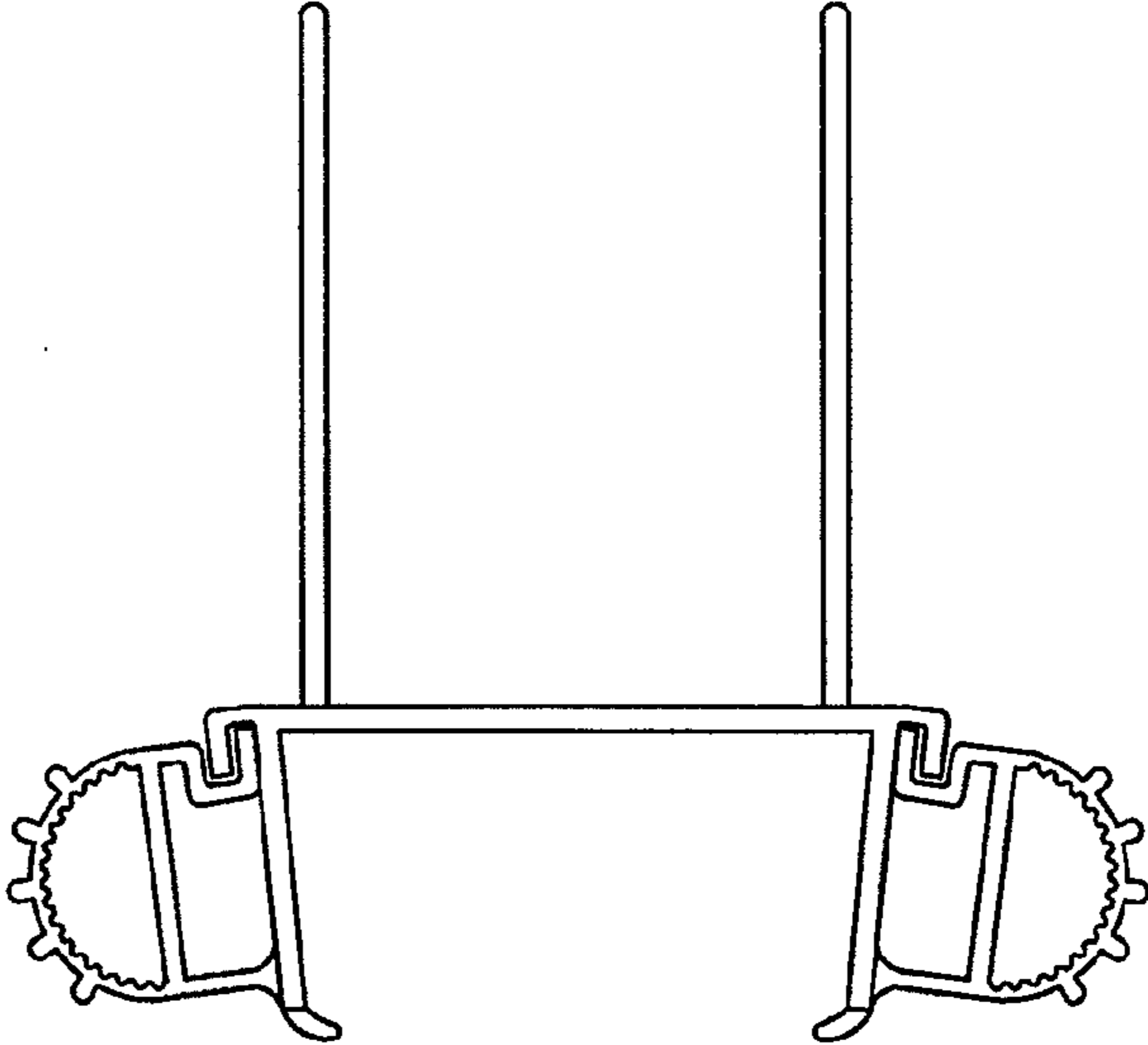
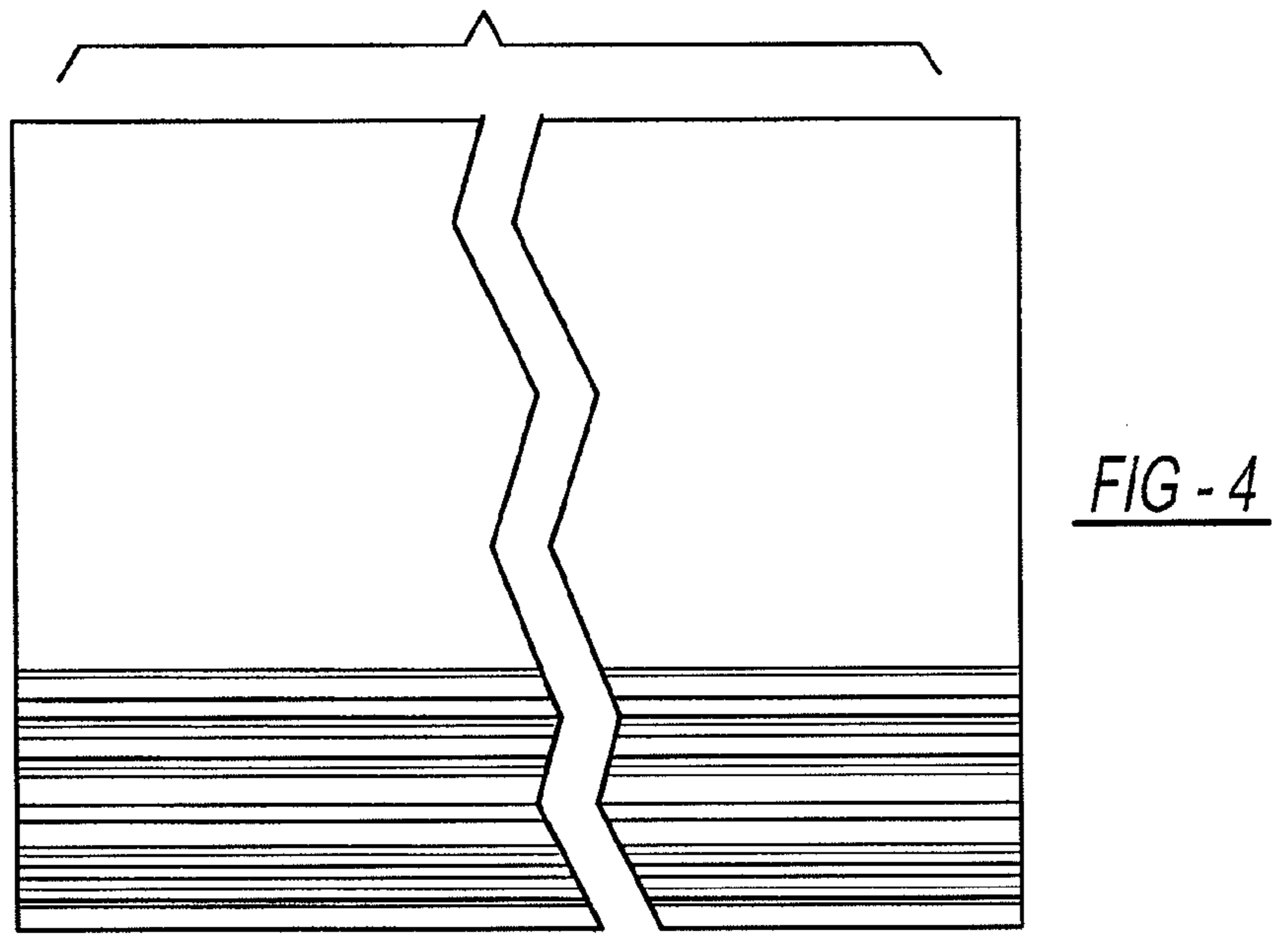
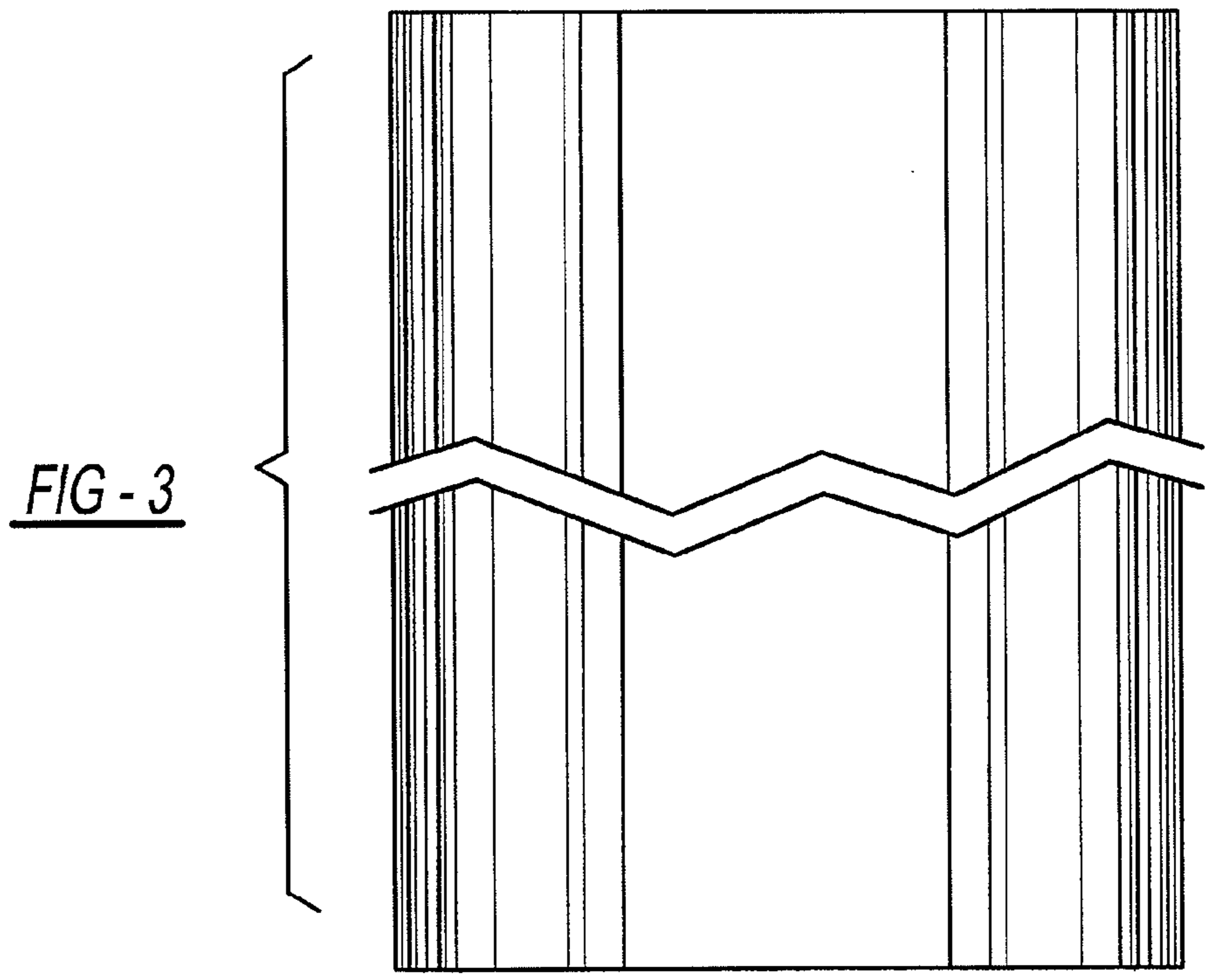


FIG - 2



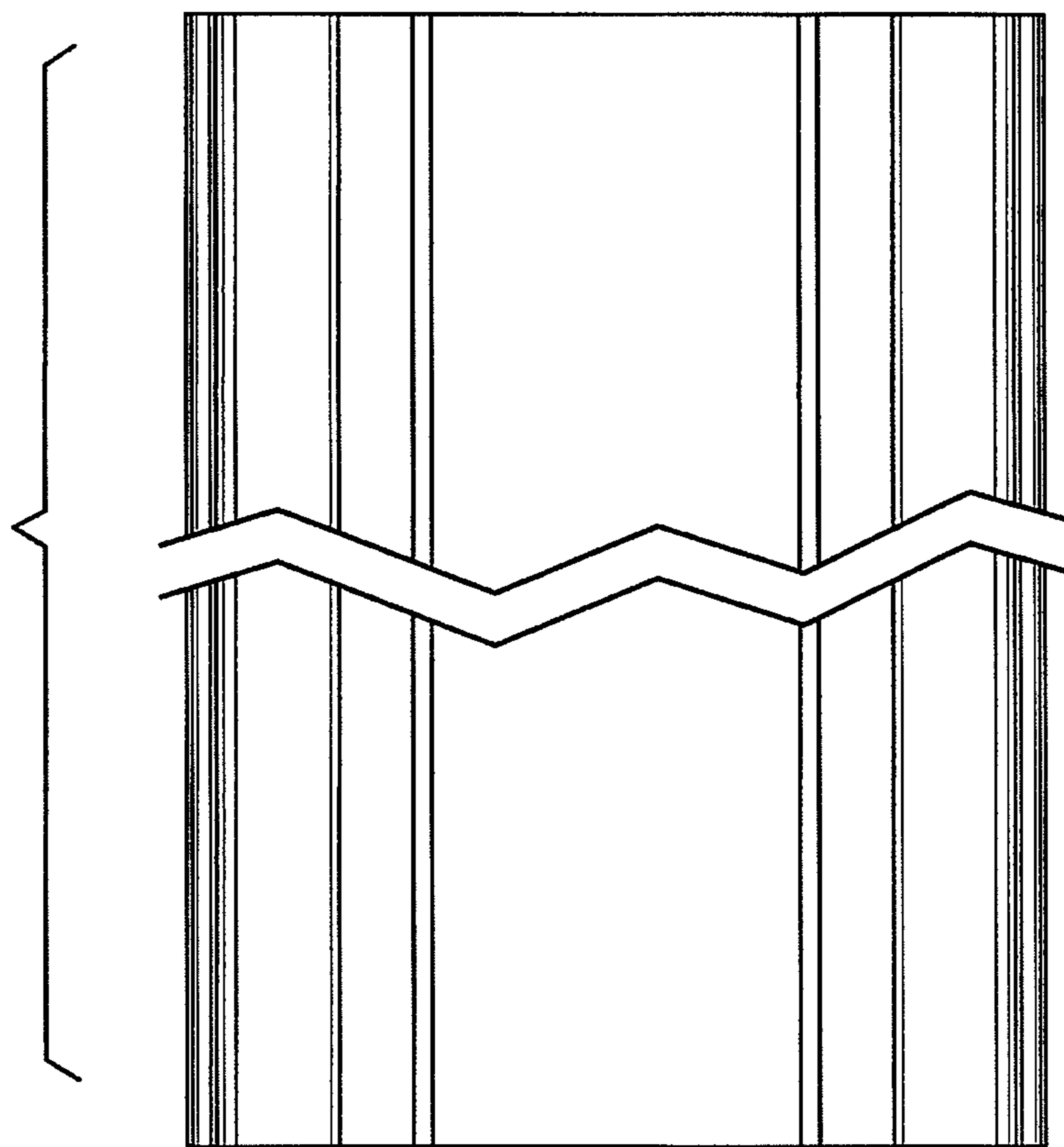


FIG - 5