



US00D741230S

(12) **United States Design Patent**
Marchi

(10) **Patent No.:** **US D741,230 S**

(45) **Date of Patent:** **** Oct. 20, 2015**

(54) **MOTOR HOME**

(71) Applicant: **MARCHI MOBILE GmbH**, Vienna
(AT)

(72) Inventor: **Mario Marchi**, Herdecke (DE)

(73) Assignee: **MARCHI MOBILE GMBH**, Vienna
(AT)

(**) Term: **14 Years**

(21) Appl. No.: **29/497,418**

(22) Filed: **Jul. 24, 2014**

(51) **LOC (10) Cl.** **12-16**

(52) **U.S. Cl.**
USPC **D12/100**

(58) **Field of Classification Search**
USPC D12/82, 84, 86, 92, 100; 296/25, 178,
296/203.01; 280/6.152; 29/897.2
CPC B62D 23/00; B62D 25/00; B62D 31/02;
B62D 31/04; B62D 53/062; B62D 65/00;
B60G 2202/152; B60G 2300/14; B60P 3/007;
B21D 53/88
See application file for complete search history.

(56) **References Cited**

U.S. PATENT DOCUMENTS

D217,143 S *	4/1970	Bourke	D12/100
D219,012 S *	10/1970	Tarahusi	D12/100
D231,731 S *	6/1974	Deesen	D12/100
D233,884 S *	12/1974	Stewart	D12/99
D249,881 S *	10/1978	Ginoulhiac	D12/100
D252,263 S *	7/1979	Van Stockum et al.	D12/100
D256,573 S *	8/1980	Breinholt	D12/100
D323,476 S *	1/1992	Shea, Sr.	D12/100
D338,432 S *	8/1993	Slayter et al.	D12/100
D449,797 S *	10/2001	Gerzeny et al.	D12/103
D460,721 S *	7/2002	Rex	D12/100
D510,299 S *	10/2005	Gunby	D12/82

D533,115 S *	12/2006	Delamour	D12/93
D542,185 S *	5/2007	Remington	D12/103
D649,089 S *	11/2011	Marchi	D12/100
D650,722 S *	12/2011	Marchi	D12/96
D663,653 S *	7/2012	Marchi	D12/100

* cited by examiner

Primary Examiner — Philip S Hyder

Assistant Examiner — Darlington Ly

(74) *Attorney, Agent, or Firm* — J. Bennett Mullinax, LLC

(57) **CLAIM**

The ornamental design for a motor home, as shown and described.

DESCRIPTION

FIG. 1 is a front and left-side perspective view of a motor home;

FIG. 2 is a right-side elevation view thereof;

FIG. 3 is a left-side elevation view thereof;

FIG. 4 is a front elevation view thereof;

FIG. 5 is a rear elevation view thereof; and

FIG. 6 is a top plan view thereof.

FIG. 7 is a front and left-side perspective view of a motor home according to a second embodiment;

FIG. 8 is a right-side elevation view thereof;

FIG. 9 is a left-side elevation view thereof;

FIG. 10 is a front elevation view thereof;

FIG. 11 is a rear elevation view thereof; and

FIG. 12 is a top plan view thereof.

FIG. 13 is a front and left-side perspective view of a motor home according to a third embodiment;

FIG. 14 is a right-side elevation view thereof;

FIG. 15 is a left-side elevation view thereof;

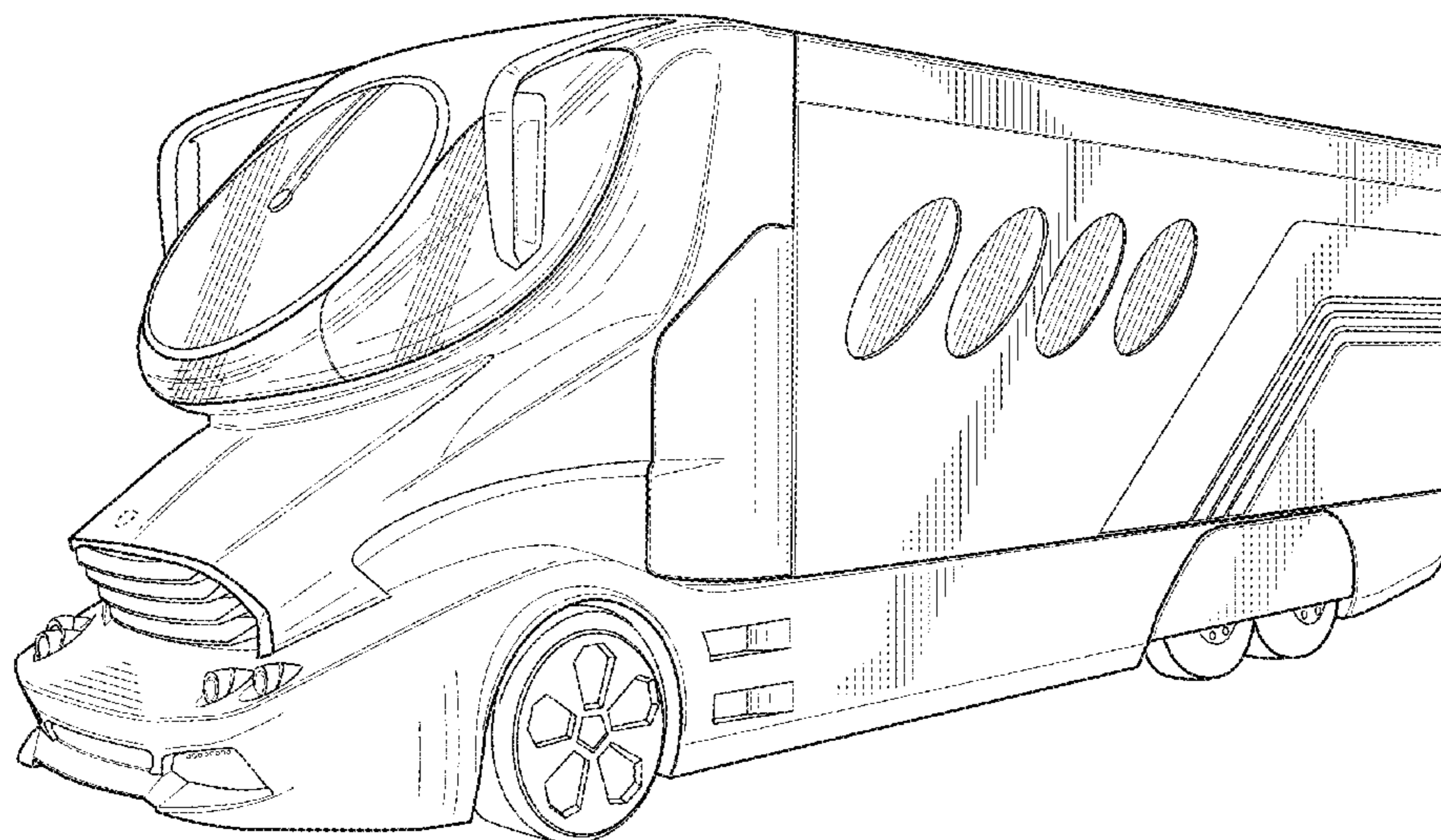
FIG. 16 is a front elevation view thereof;

FIG. 17 is a rear elevation view thereof; and

FIG. 18 is a top plan view thereof.

The broken lines shown in the drawings illustrate portions of the motor home that forms no part of claimed design.

1 Claim, 18 Drawing Sheets



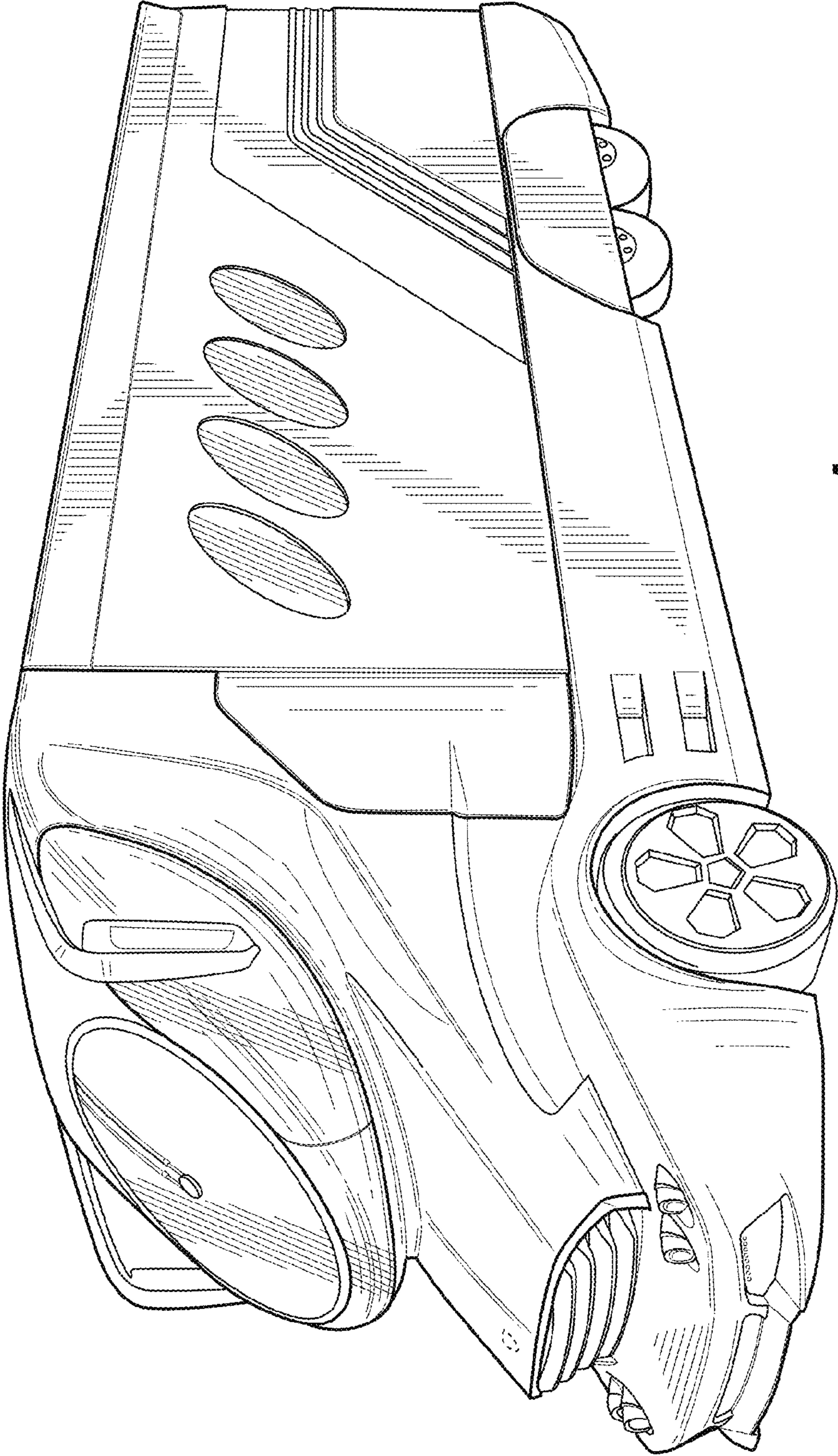


FIG. 1

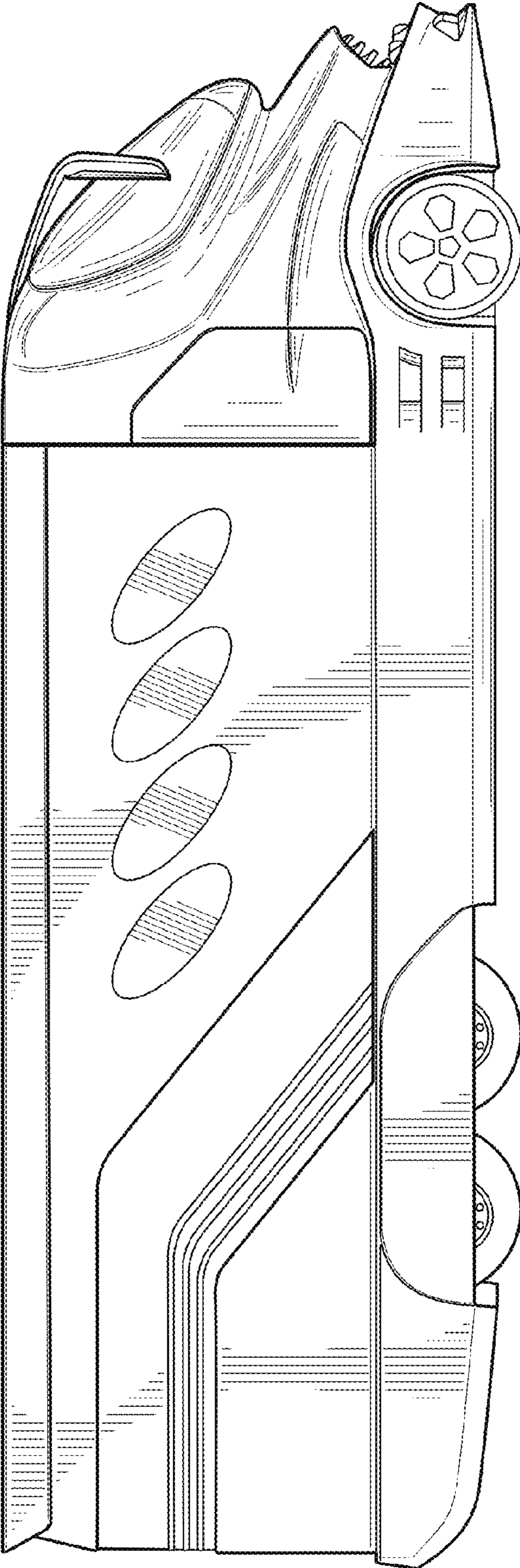


FIG. 2

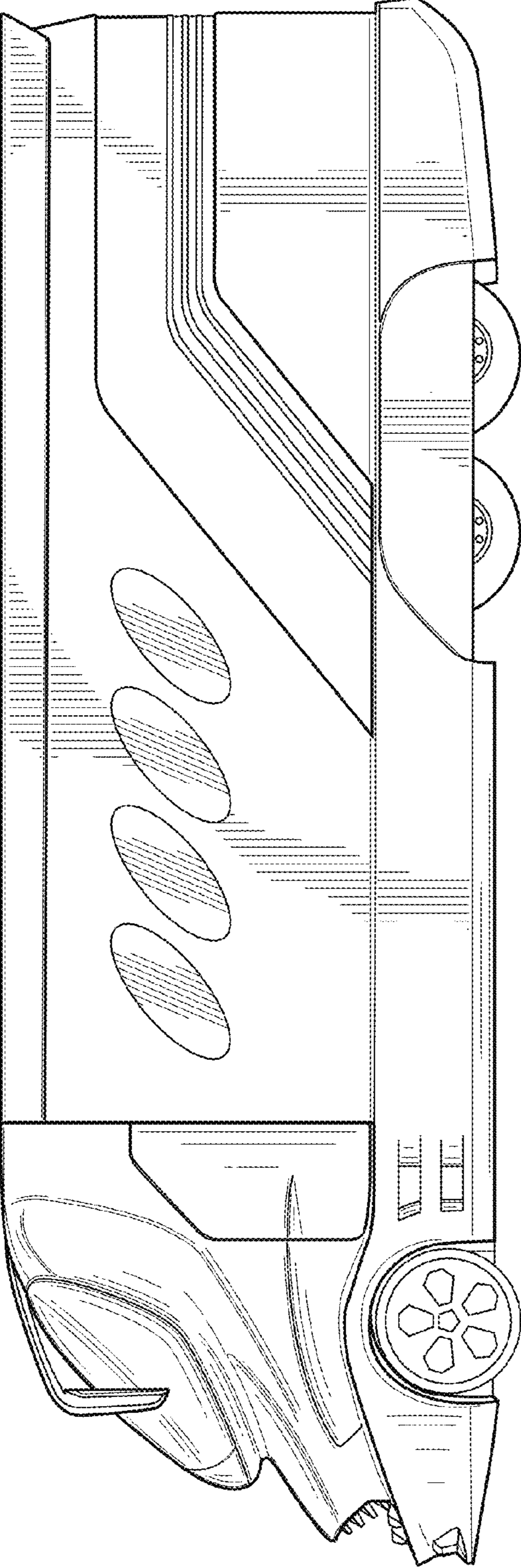


FIG. 3

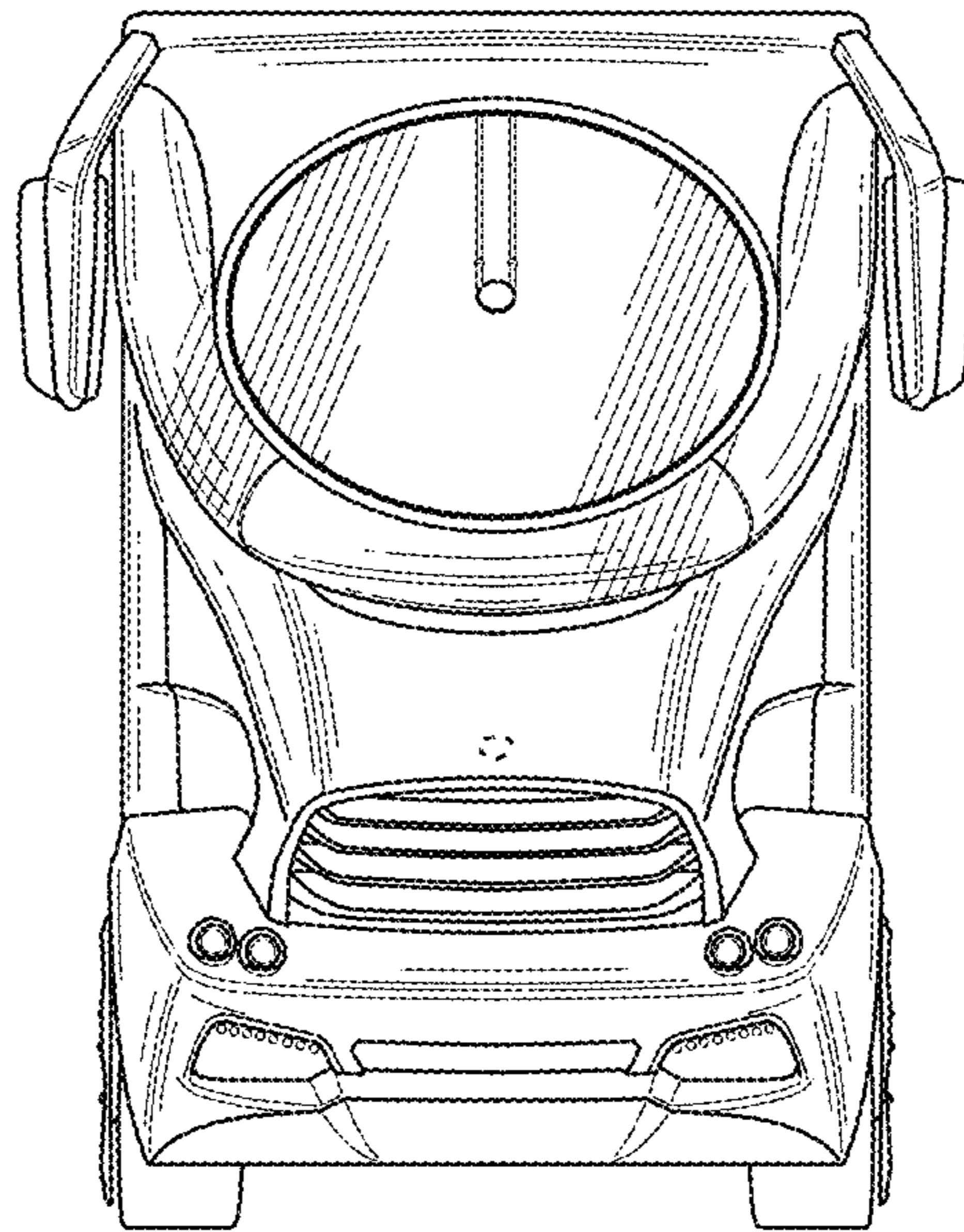


FIG. 4

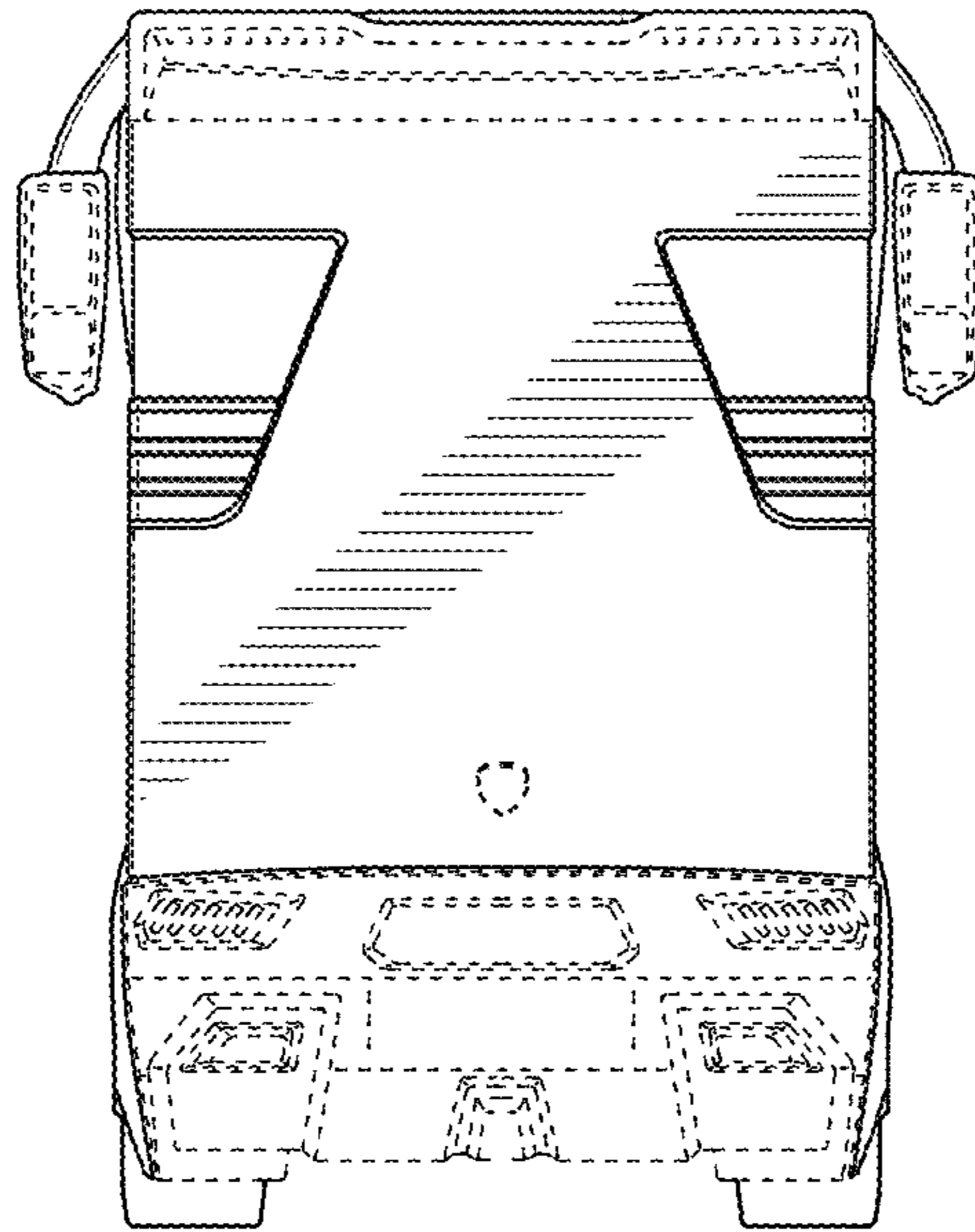


FIG. 5

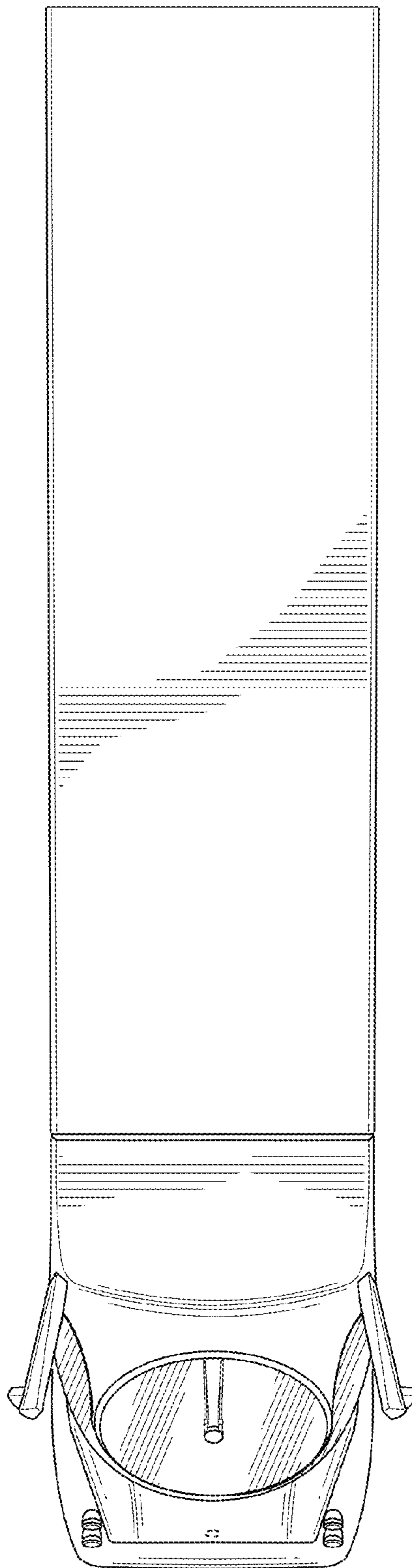


FIG. 6

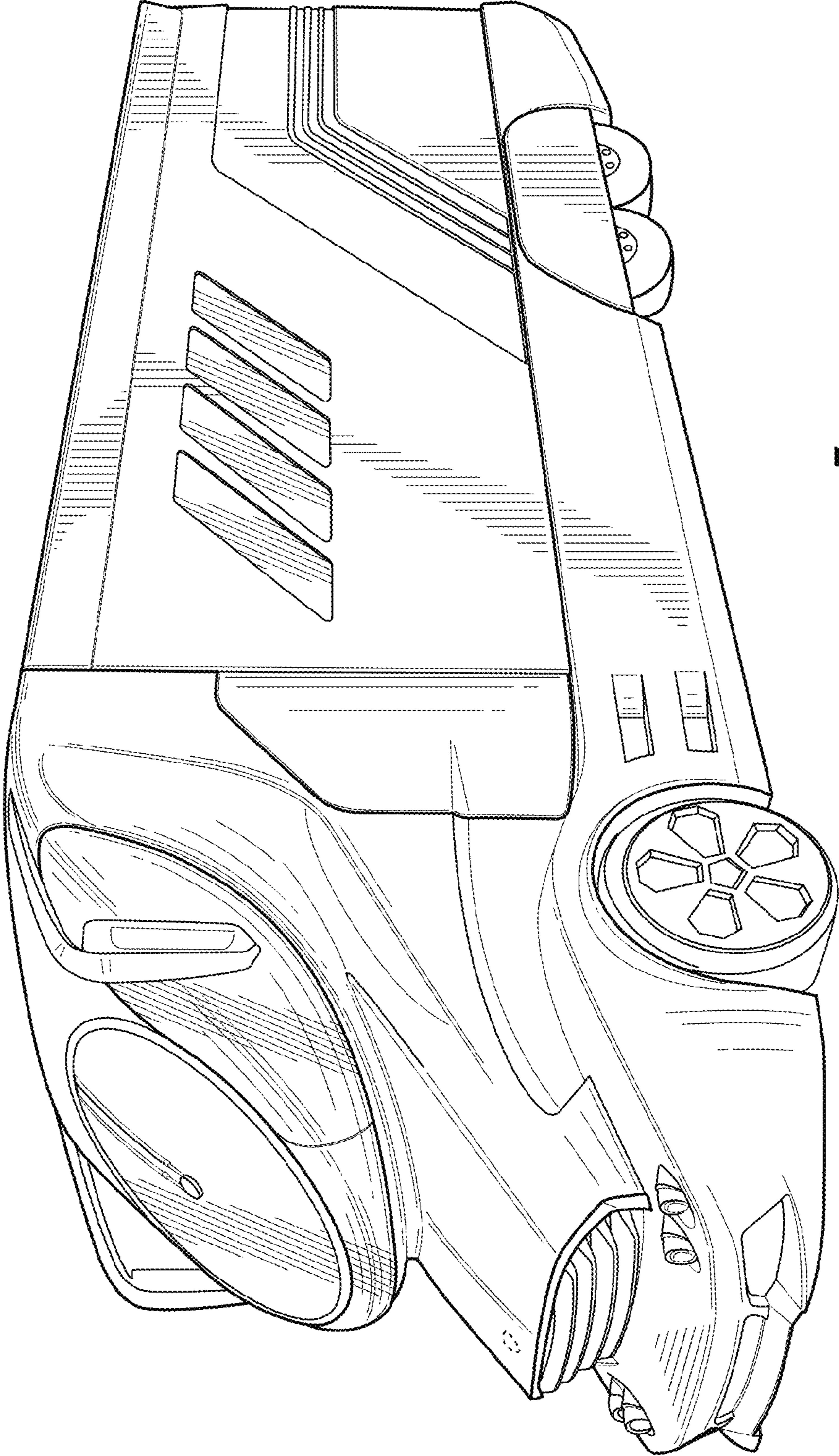


FIG. 7

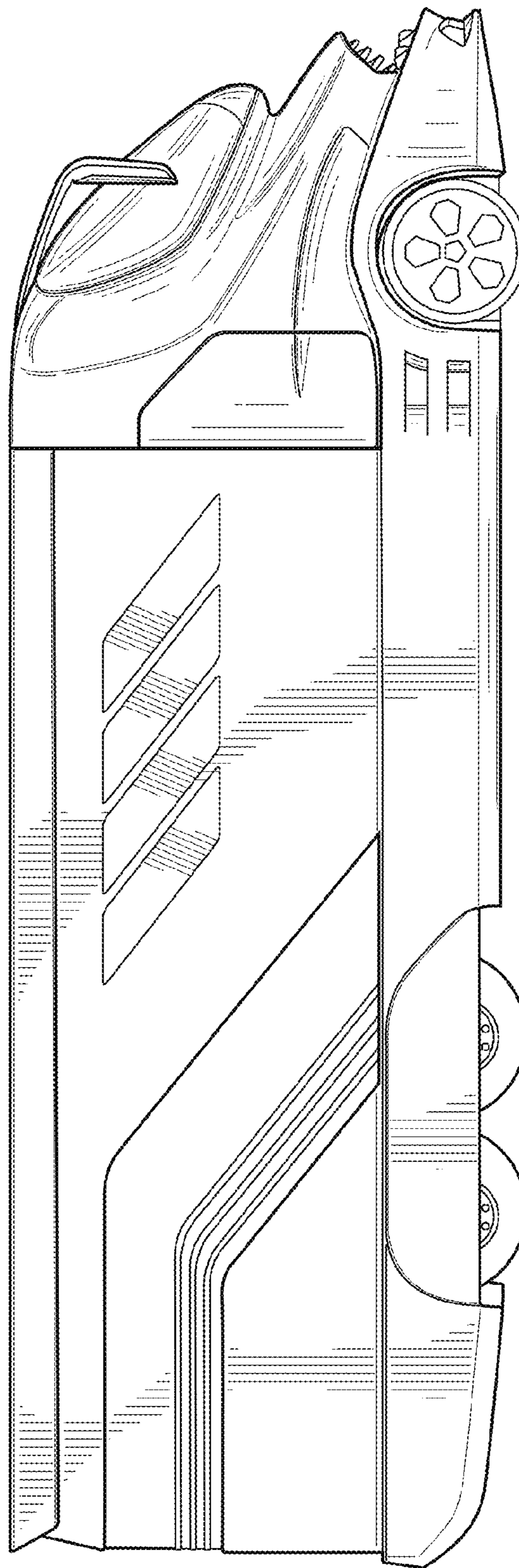


FIG. 8

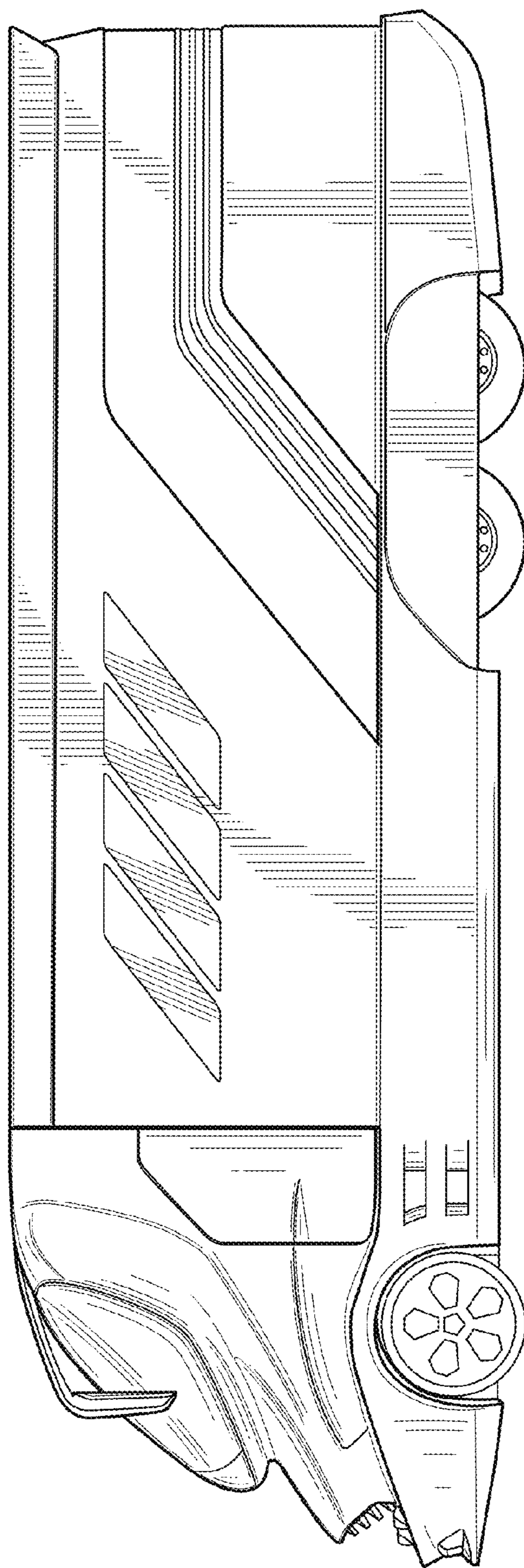


FIG. 9

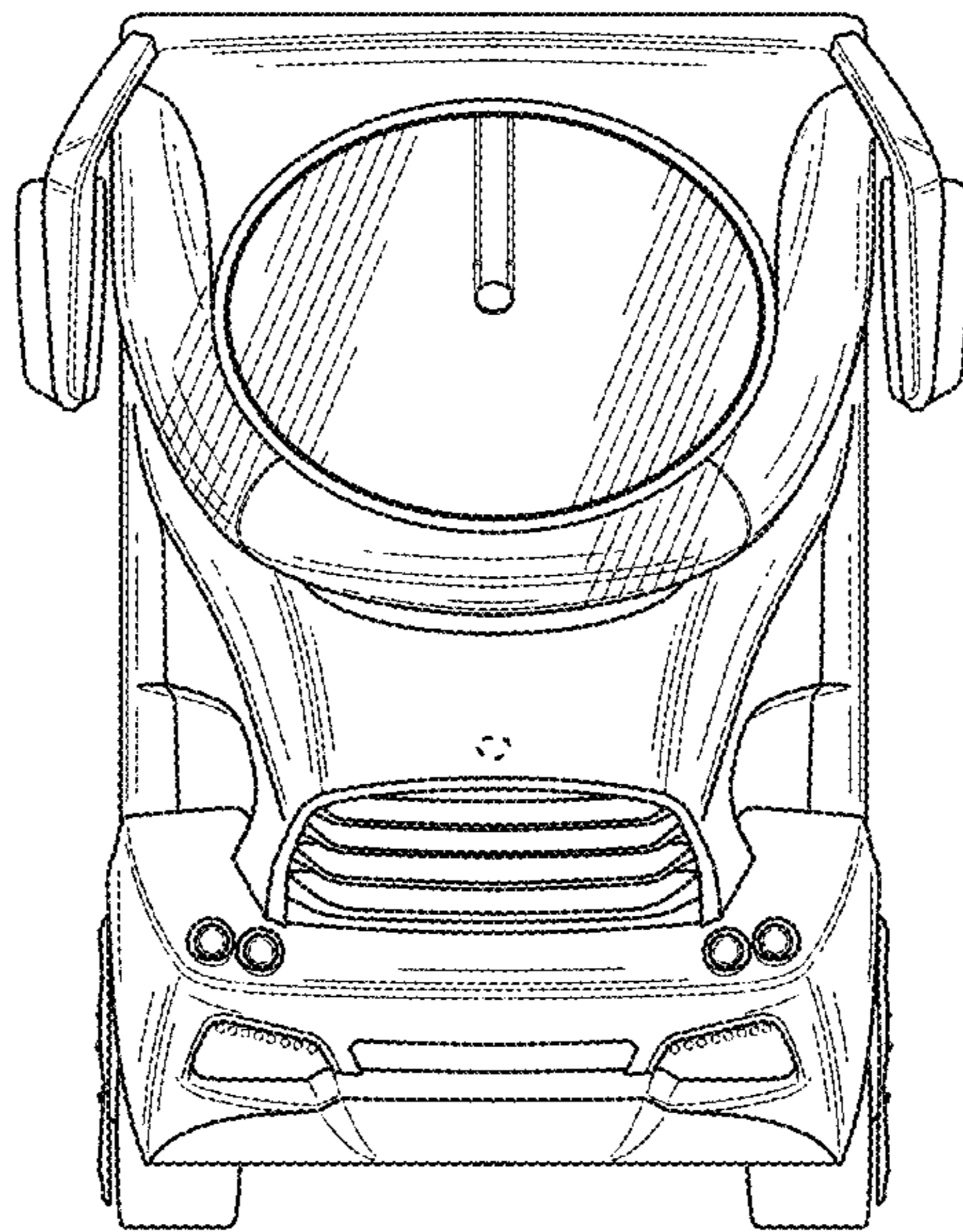


FIG. 10

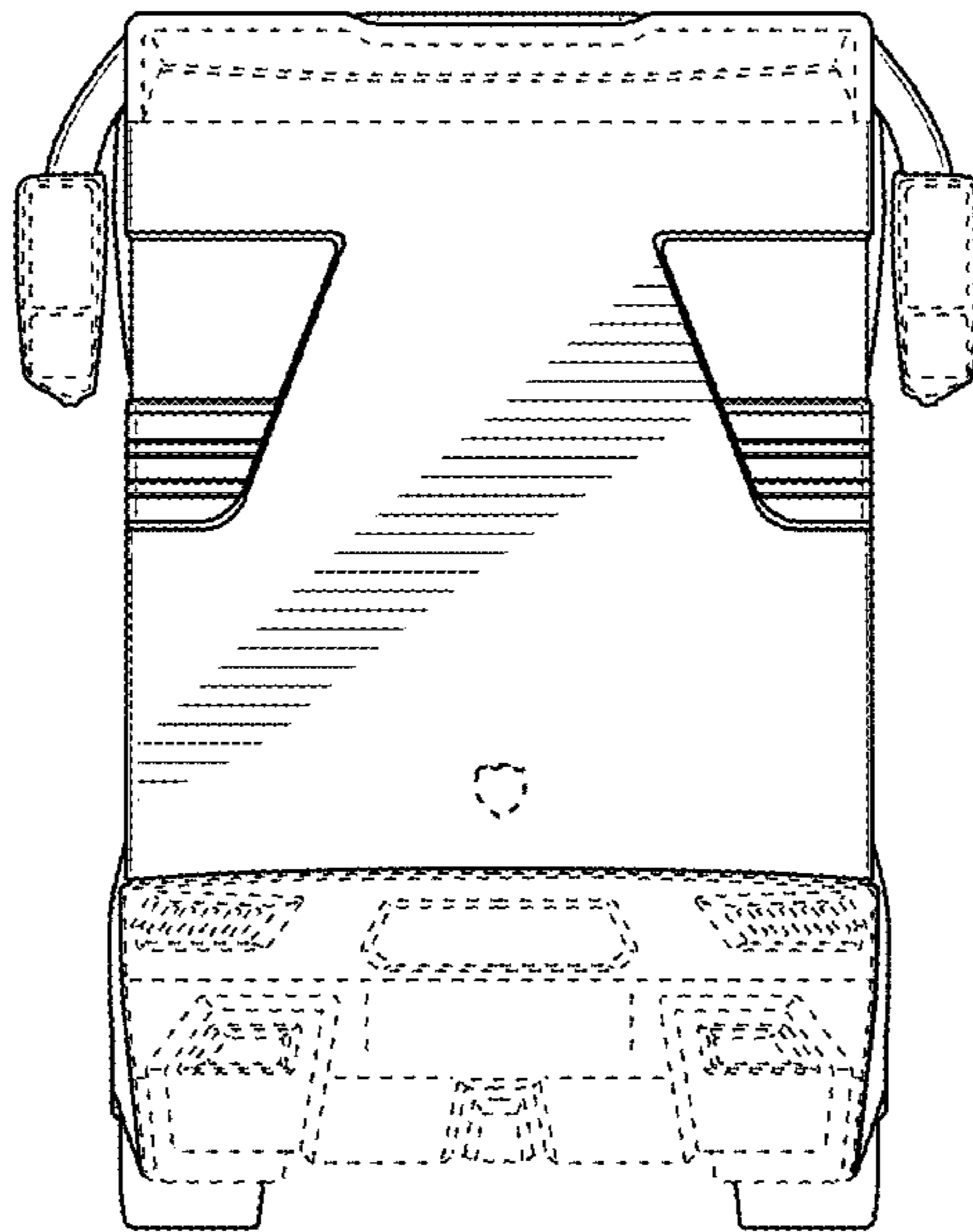


FIG. 11

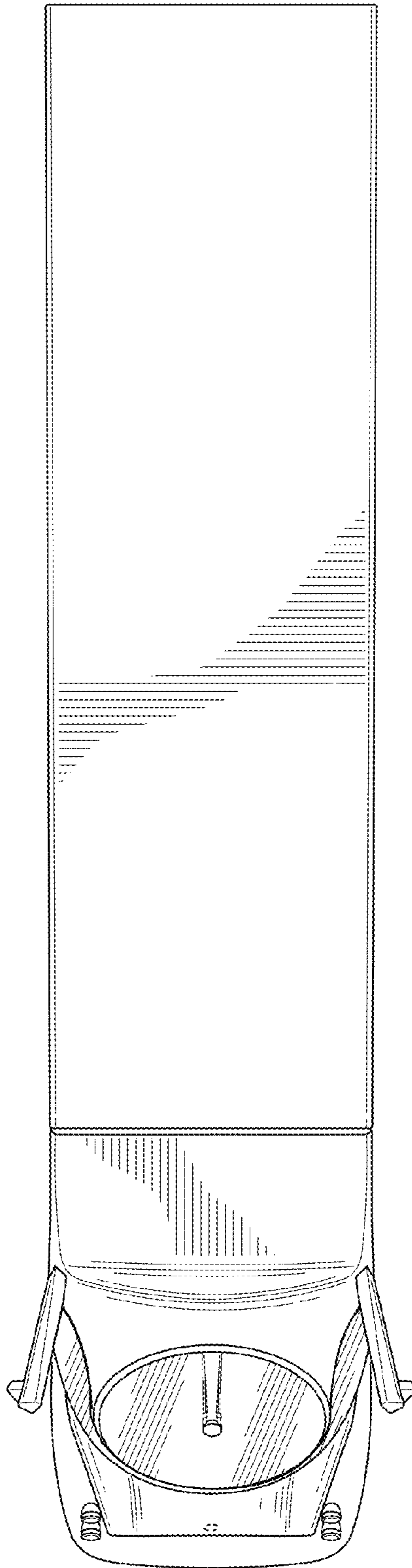


FIG. 12

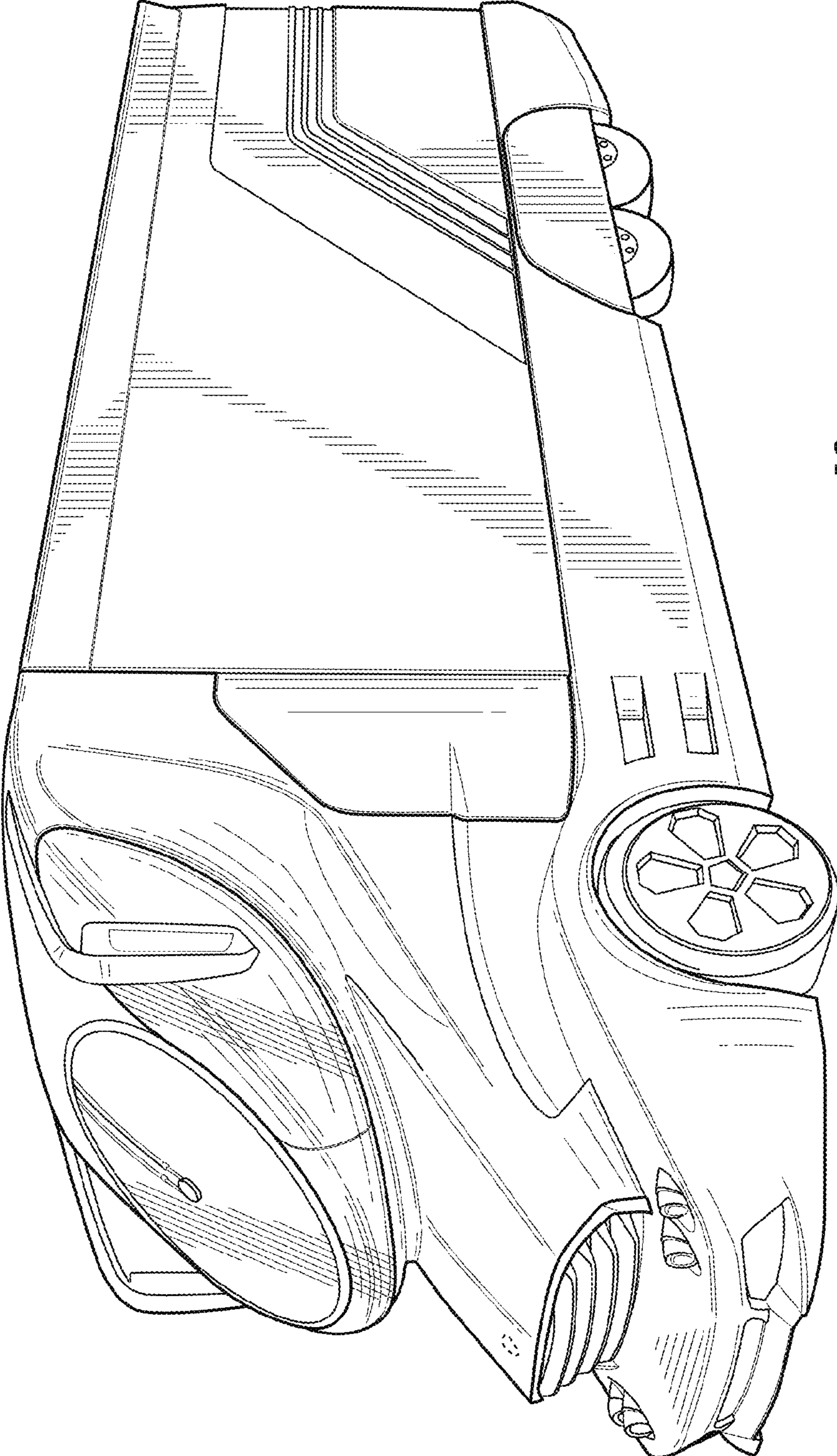


FIG. 13

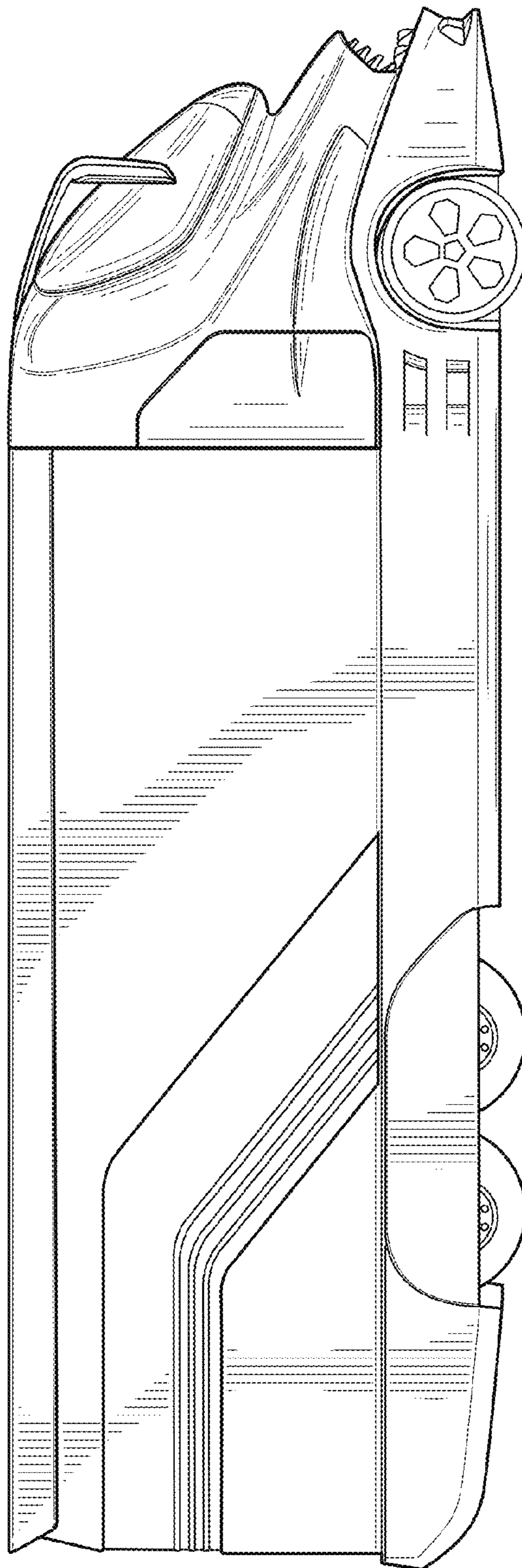


FIG. 14

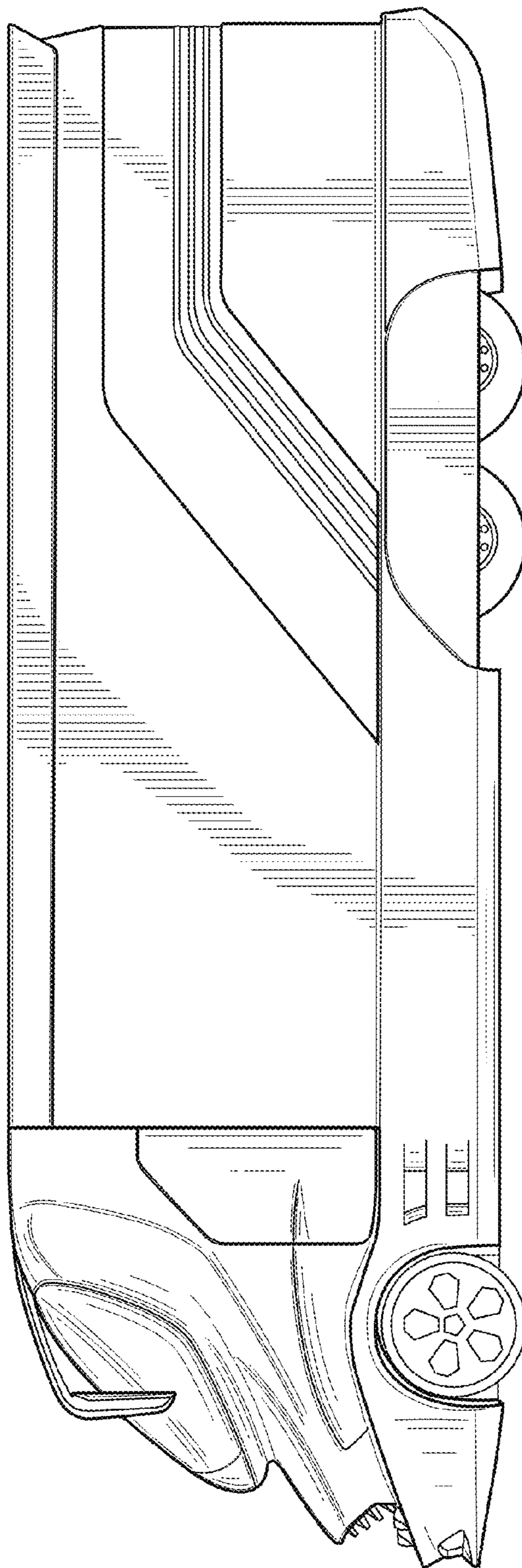


FIG. 15

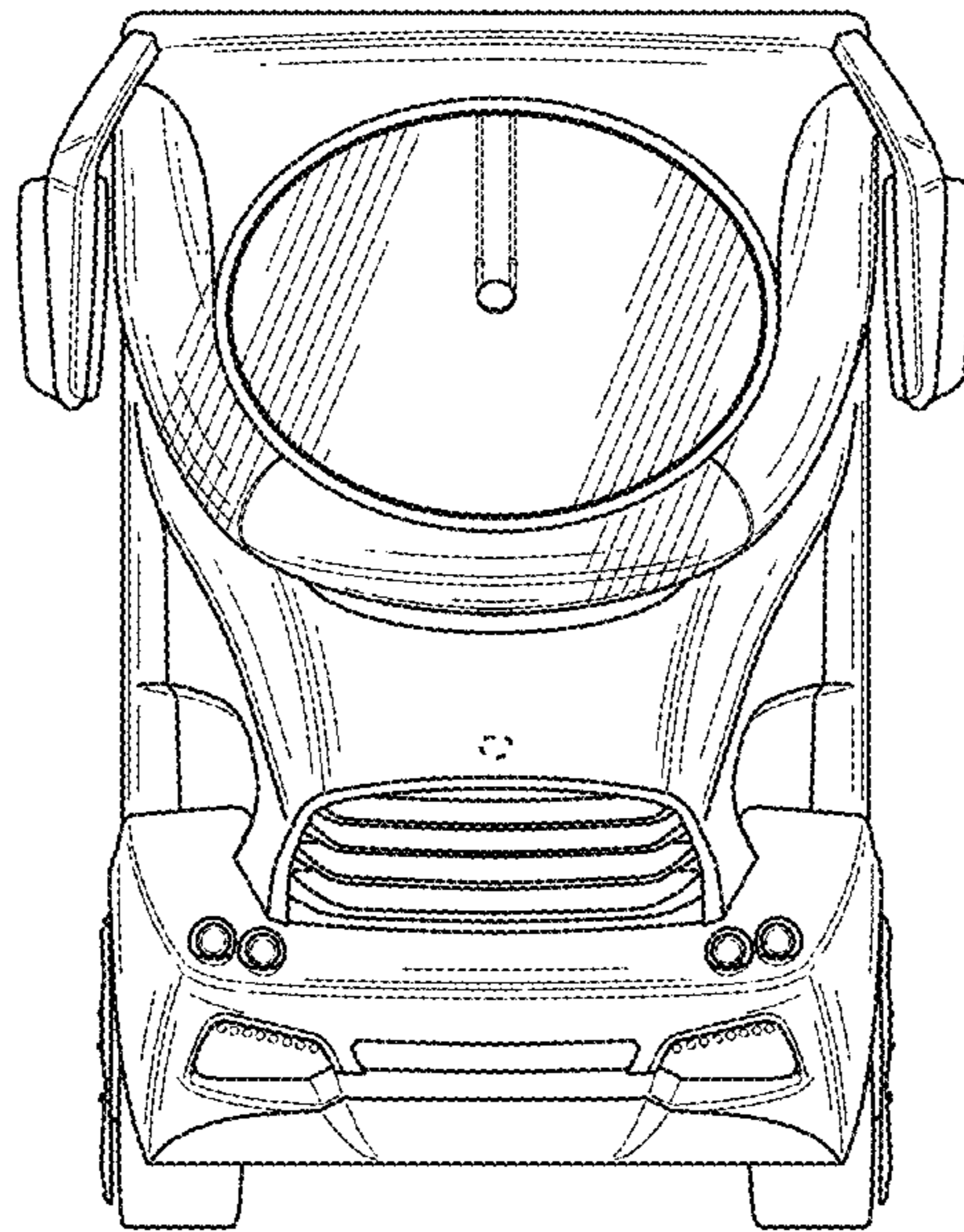


FIG. 16

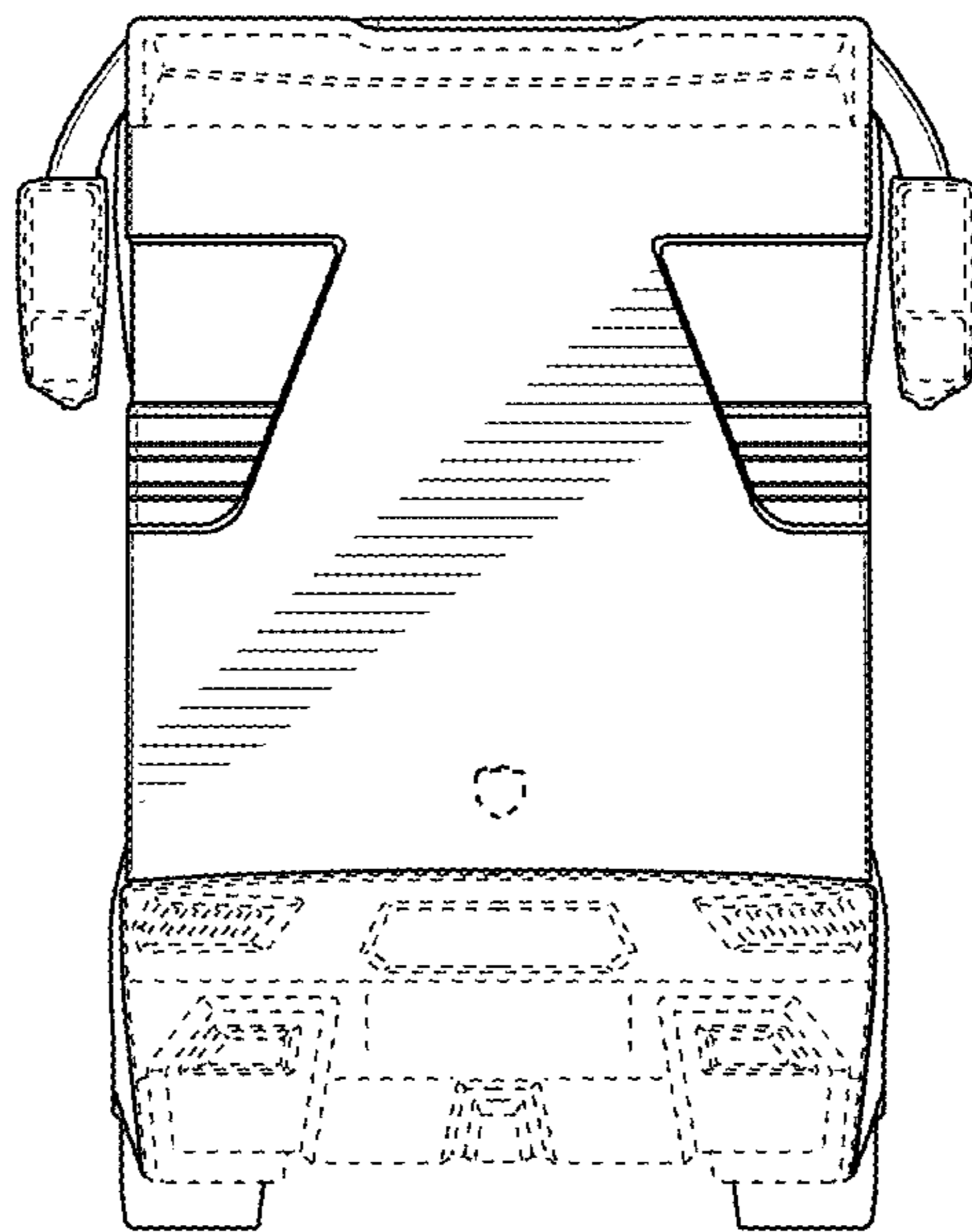


FIG. 17

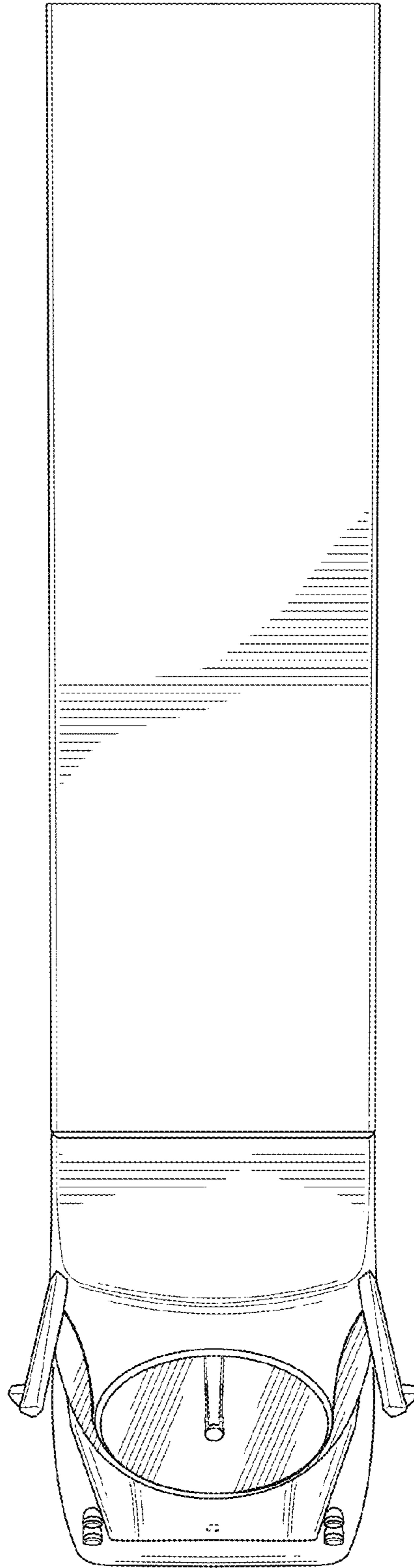


FIG. 18