



US00D741228S

(12) **United States Design Patent**
Curic et al.

(10) **Patent No.:** **US D741,228 S**
(45) **Date of Patent:** **** Oct. 20, 2015**

- (54) **VEHICLE EXTERIOR**
- (71) Applicant: **Ford Motor Company**, Dearborn, MI (US)
- (72) Inventors: **Kemal Curic**, West Bloomfield, MI (US); **Darrell Behmer**, Novi, MI (US); **Christopher Svensson**, Clemsford (GB); **Moray Callum**, Ann Arbor, MI (US); **Joel Piaskowski**, Dusseldorf (DE)
- (73) Assignee: **Ford Motor Company**, Dearborn, MI (US)
- (**) Term: **14 Years**
- (21) Appl. No.: **29/507,170**
- (22) Filed: **Oct. 24, 2014**
- (51) **LOC (10) Cl.** **12-08**
- (52) **U.S. Cl.**
USPC **D12/92**
- (58) **Field of Classification Search**
USPC D12/86, 90-92; D21/421, 433, 434;
296/181.1, 181.5
CPC B62D 35/00; B62D 25/00; B62D 25/06;
B62D 33/00
See application file for complete search history.

- D620,395 S * 7/2010 Abdallah D12/92
- D620,397 S * 7/2010 Abdallah D12/92
- D620,398 S * 7/2010 Abdallah D12/92
- D658,546 S * 5/2012 Abdallah D12/92
- D658,547 S * 5/2012 Abdallah D12/92
- D710,762 S 8/2014 Mays
- D714,690 S 10/2014 Mays
- D724,494 S * 3/2015 Kaoud et al. D12/92

OTHER PUBLICATIONS

Ronan Glon. Ford Reveals one-off F-35-Inspired 2015 Mustang GT. Jul. 25, 2014 [online], [retrieved on Aug. 27, 2014] Retrieved from the Internet <URL: <http://www.leftlanenews.com/ford-mustang-gt-f-35-lightening-ii-edition.html>>.

2016 Ford Mustang SVT Spied 'Ring testing once again. [retrieved on Aug. 27, 2014] Retrieved from the Internet <URL: <http://www.worldcarfans.com/114071878374/2013-ford-mustang-svt-spied-ring-testing-once-again.html>>.

* cited by examiner

Primary Examiner — Melody N Brown
(74) *Attorney, Agent, or Firm* — Damian Porcari

(57) **CLAIM**
The ornamental design for a vehicle exterior, as shown and described.

DESCRIPTION

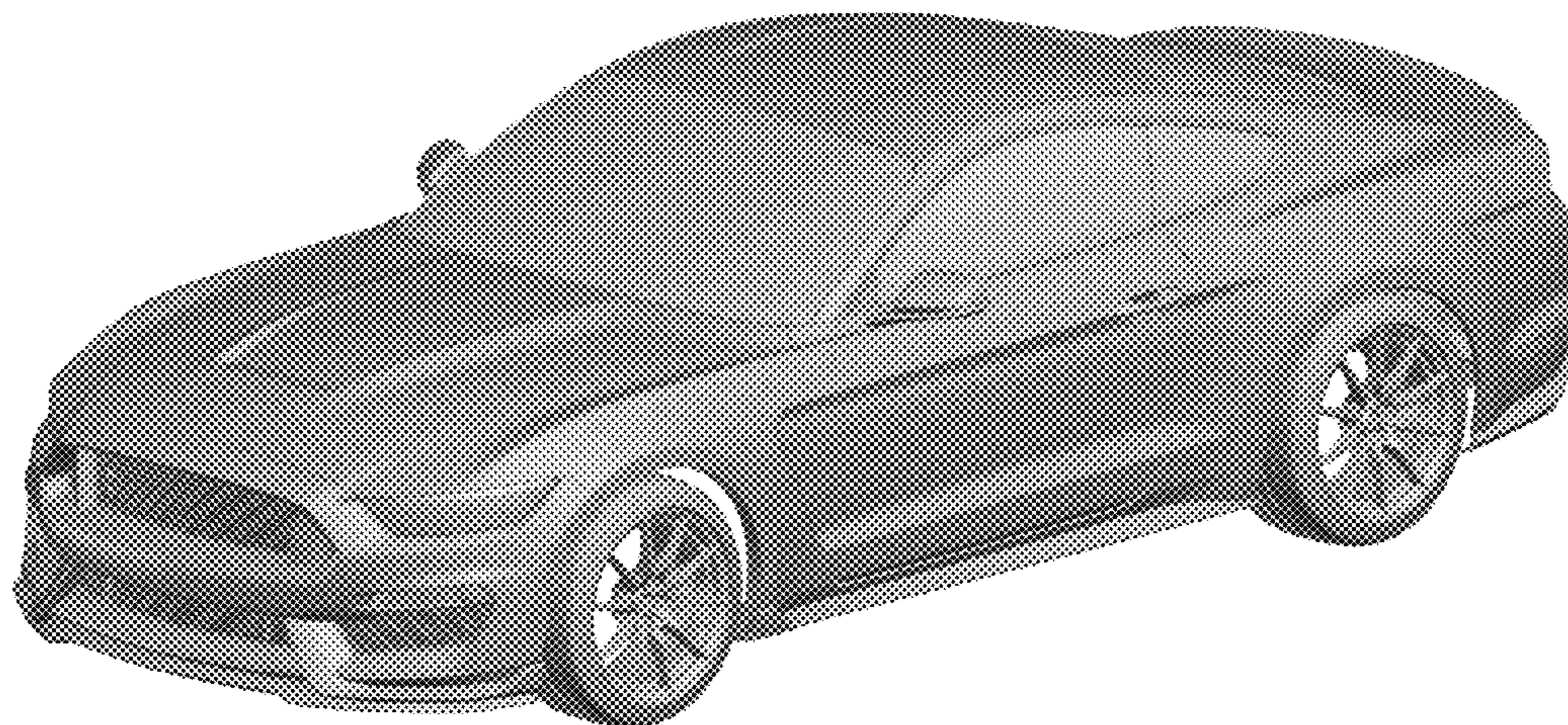
FIG. 1 is a top front and left side perspective view of a vehicle exterior;
FIG. 2 is a top rear and left side perspective view thereof;
FIG. 3 is a front elevational view thereof;
FIG. 4 is a rear elevational view thereof;
FIG. 5 is a left side elevational view thereof;
FIG. 6 is a right side elevational view thereof; and,
FIG. 7 is a top plan view thereof.

1 Claim, 7 Drawing Sheets

(56) **References Cited**

U.S. PATENT DOCUMENTS

- D283,882 S * 5/1986 Giugiaro D12/91
- D307,248 S * 4/1990 Dettling D12/91
- D502,133 S * 2/2005 Ferrari D12/196
- D510,551 S * 10/2005 Mays et al. D12/173
- D566,027 S * 4/2008 Gavriles D12/196



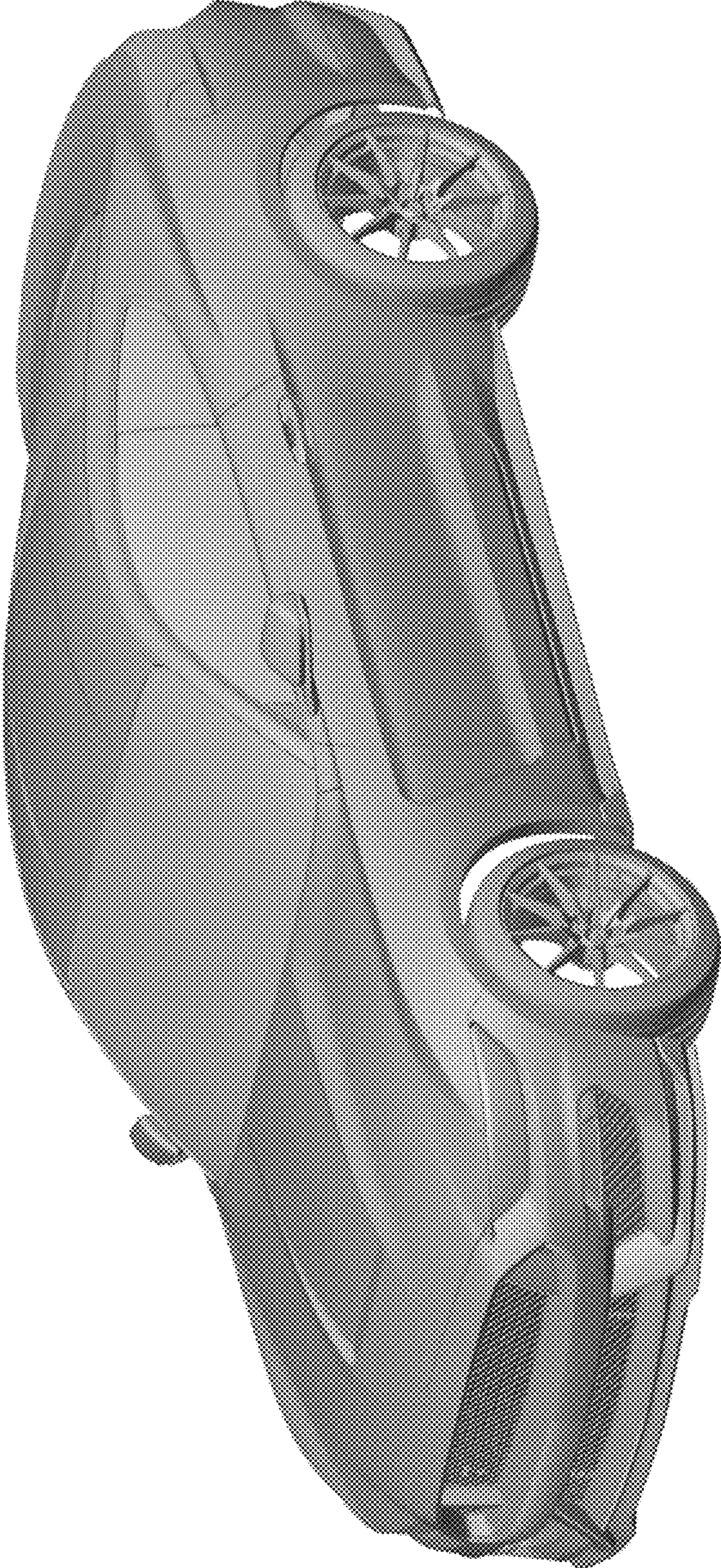


Figure 1

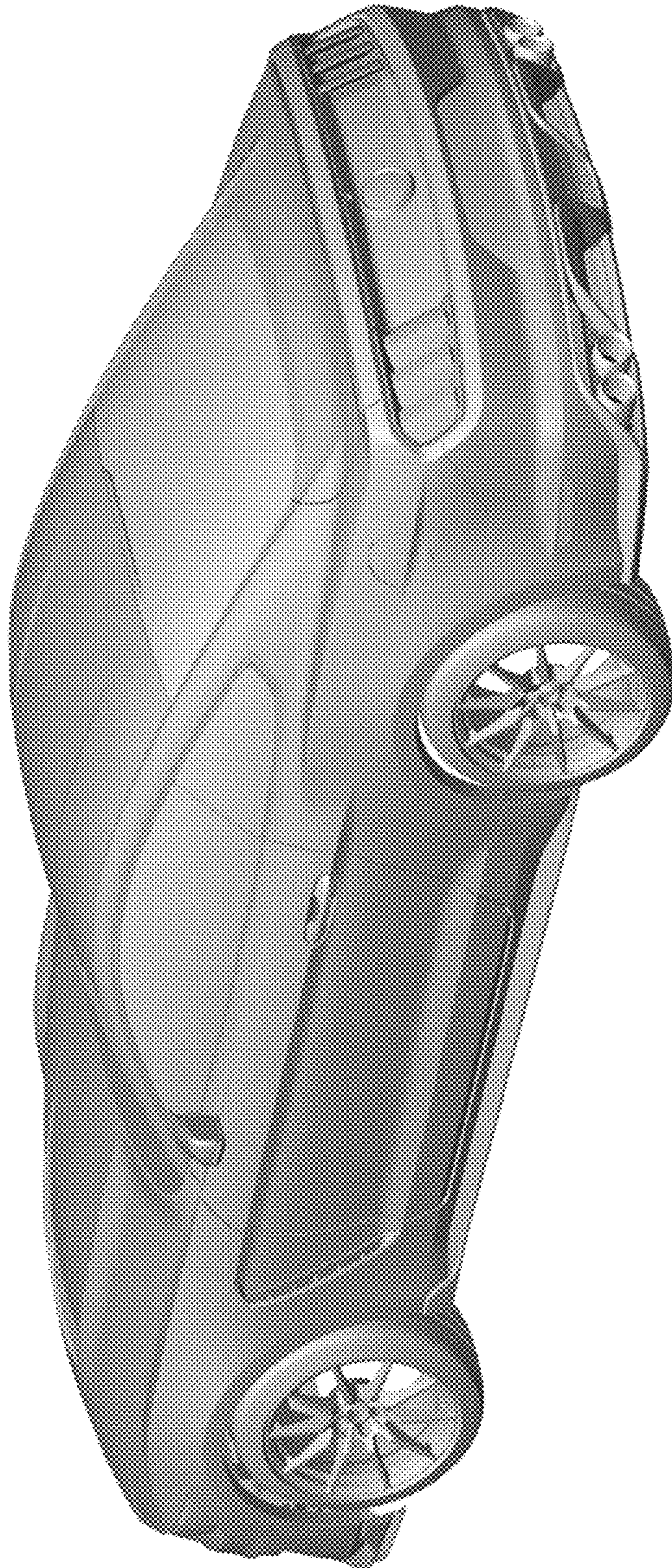


Figure 2

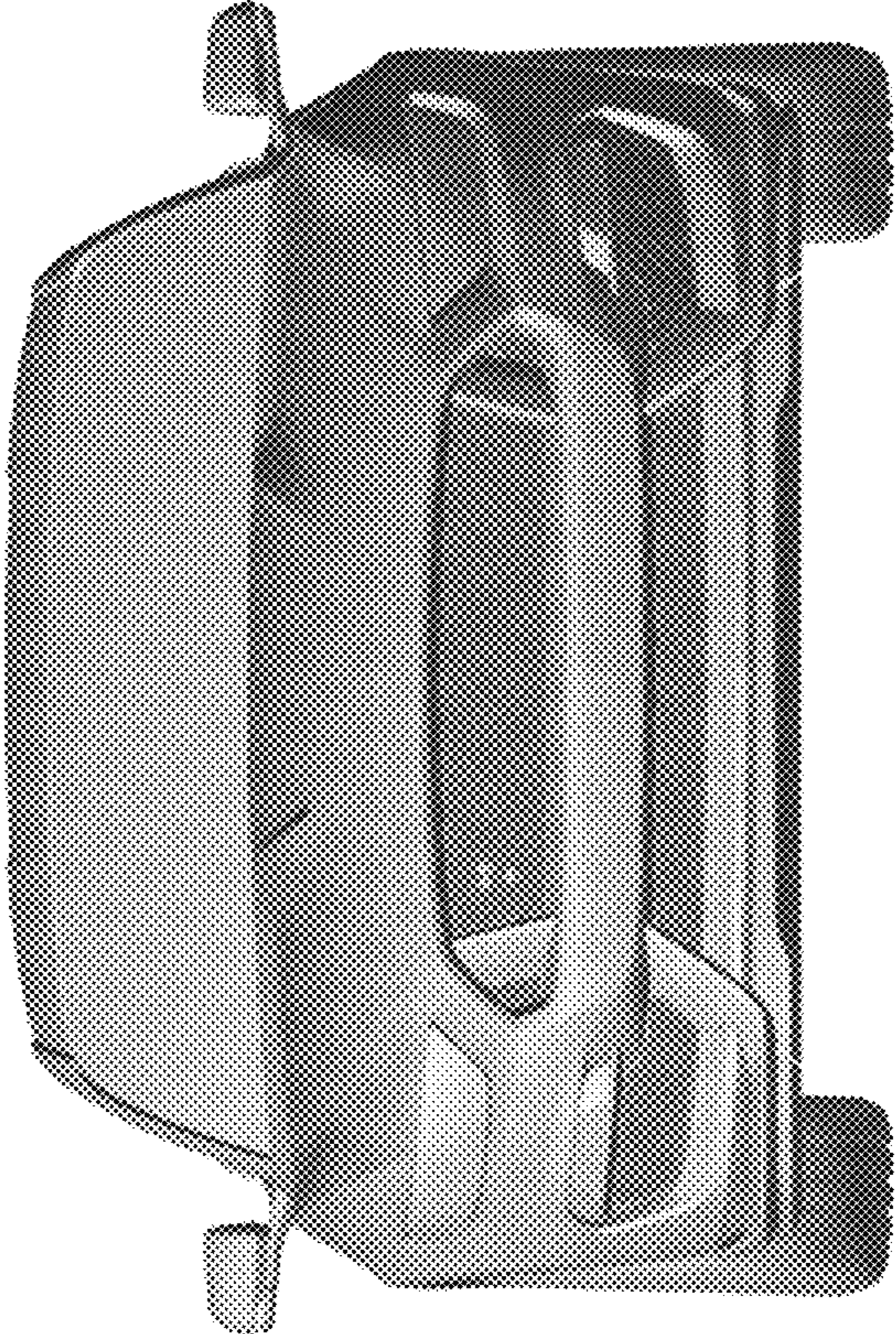


Figure 3

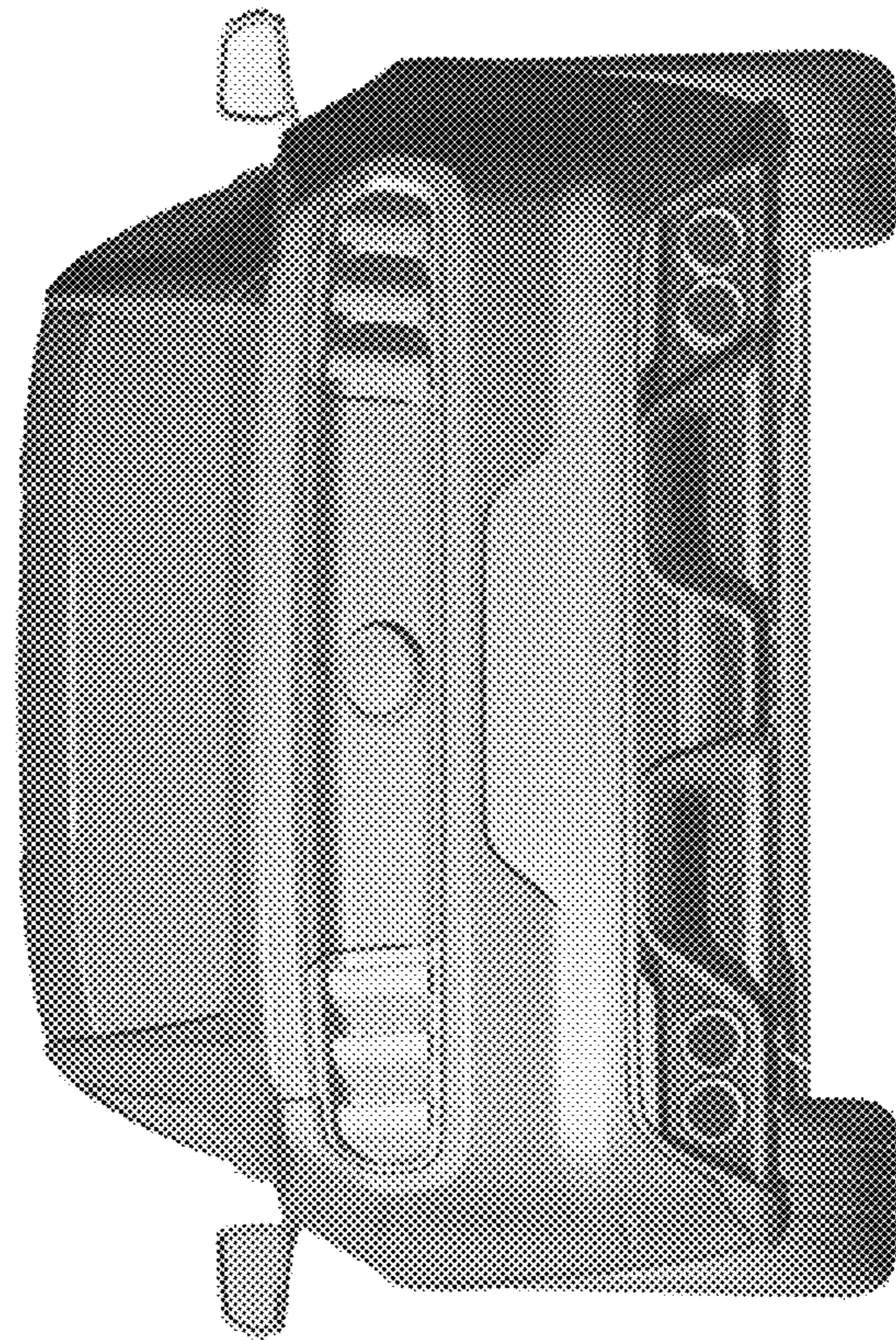


Figure 4

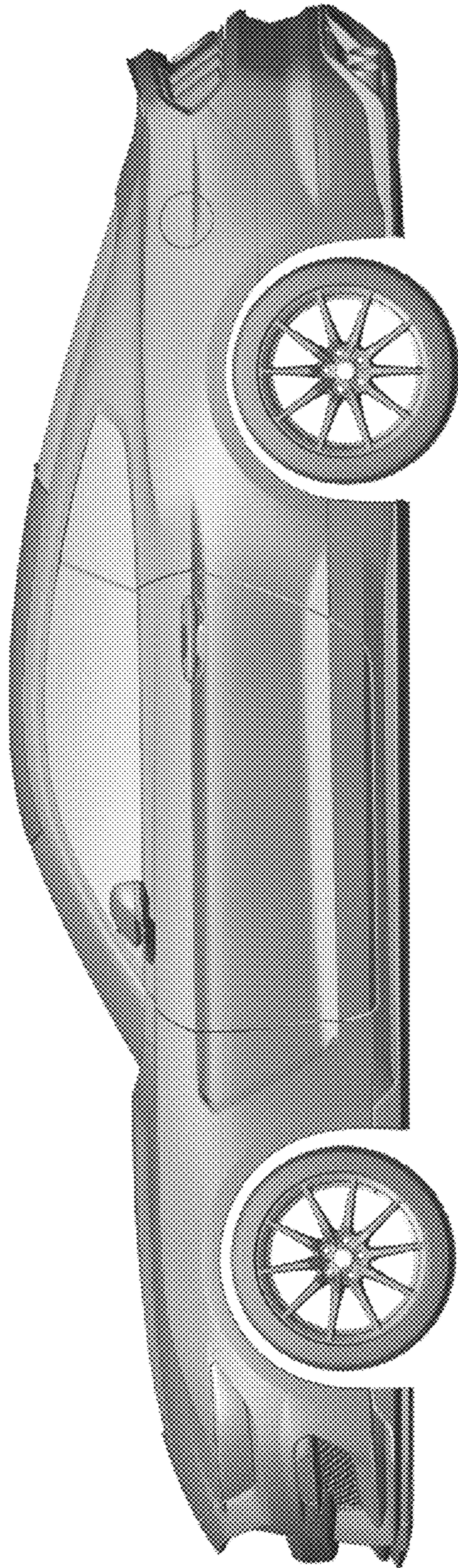


Figure 5



Figure 6

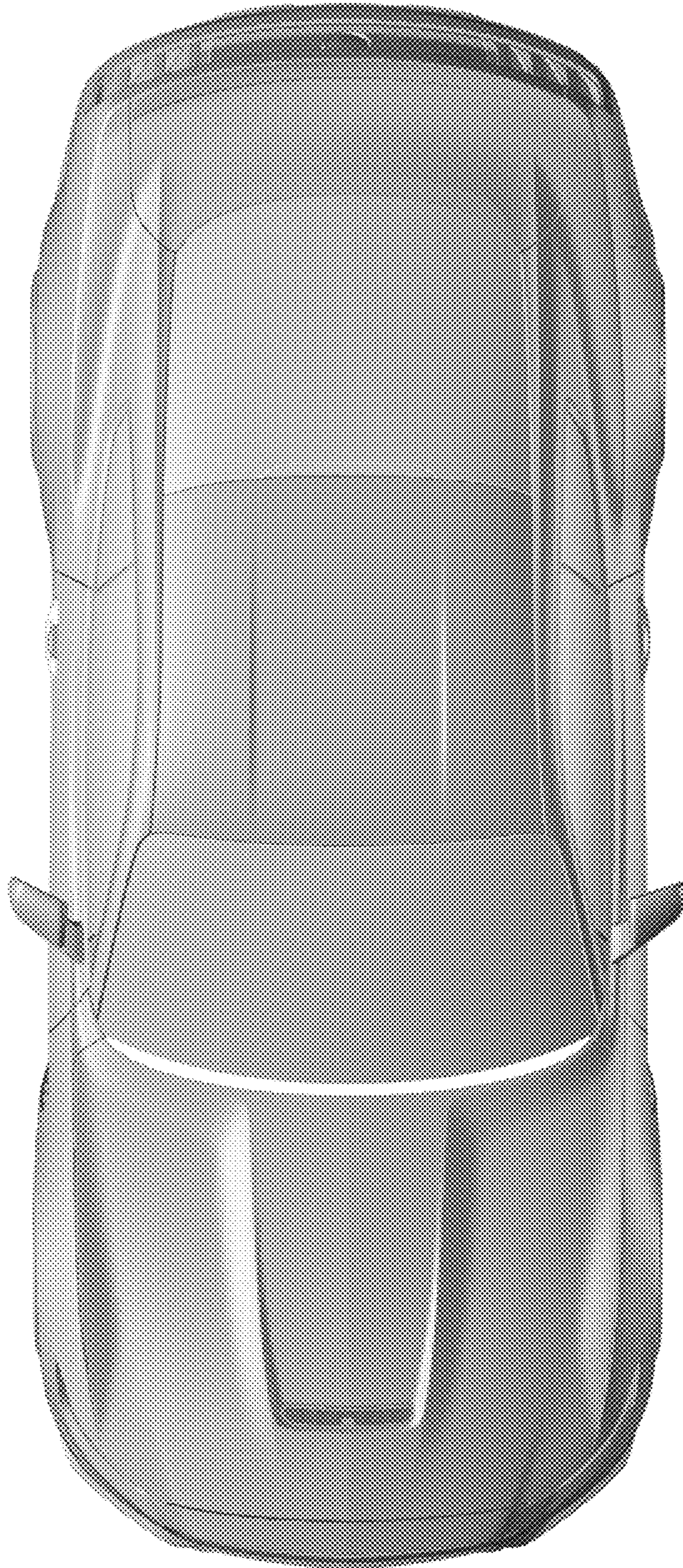


Figure 7