



US00D741223S

(12) **United States Design Patent**
Kim et al.

(10) **Patent No.:** **US D741,223 S**
(45) **Date of Patent:** **** Oct. 20, 2015**

- (54) **VEHICLE BODY EXTERIOR**
- (71) Applicant: **GM GLOBAL TECHNOLOGY OPERATIONS LLC**, Detroit, MI (US)
- (72) Inventors: **Jeasoo Kim**, Troy, MI (US); **Phillip A. Zak, Jr.**, West Bloomfield, MI (US)
- (73) Assignee: **GM Global Technology Operations LLC**, Detroit, MI (US)

- D605,083 S 12/2009 Manoogian, II et al.
- D605,977 S 12/2009 Zipfel et al.
- D605,978 S 12/2009 Wolff et al.
- D608,249 S 1/2010 Peters
- D608,690 S 1/2010 Folden et al.
- D608,691 S 1/2010 Zak, Jr. et al.
- D609,608 S 2/2010 Boniface et al.
- D611,387 S 3/2010 Thompson et al.
- D611,879 S 3/2010 Kim et al.
- D612,297 S 3/2010 Peters et al.
- D613,645 S 4/2010 Song et al.
- D615,458 S * 5/2010 Thompson et al. D12/92

(**) Term: **14 Years**

(Continued)

(21) Appl. No.: **29/492,639**

OTHER PUBLICATIONS

(22) Filed: **Jun. 2, 2014**

Design U.S. Appl. No. 29/439,307, filed Dec. 10, 2012; First Named Inventor: Brendon C. Mackay; Title: Vehicle Body Exterior.

(51) **LOC (10) Cl.** **12-08**

(Continued)

(52) **U.S. Cl.**

USPC **D12/91**

(58) **Field of Classification Search**

USPC D12/86, 90-92; D21/421, 433, 434; 296/181.1, 181.5

CPC B62D 35/00; B62D 25/00; B62D 25/06; B62D 33/00

See application file for complete search history.

Primary Examiner — Melody N Brown

(74) *Attorney, Agent, or Firm* — Lionel D. Anderson; Reising Ethington P.C.

(57)

CLAIM

The ornamental design for a vehicle body exterior, as shown and described.

(56) **References Cited**

DESCRIPTION

U.S. PATENT DOCUMENTS

- D512,000 S * 11/2005 Suzuki et al. D12/91
- D544,404 S * 6/2007 Pfeiffer D12/91
- D570,742 S 6/2008 Takagi et al.
- D584,658 S * 1/2009 Minami D12/91
- D592,105 S 5/2009 Dean et al.
- D597,447 S * 8/2009 Folden D12/92
- D600,595 S 9/2009 Nakamura et al.
- D601,925 S 10/2009 O'Donnell
- D602,399 S * 10/2009 Sakae et al. D12/91
- D603,755 S 11/2009 Peters
- D604,203 S 11/2009 O'Donnell
- D605,082 S 12/2009 Munson

FIG. 1 is a front view of the vehicle body exterior; FIG. 2 is a front and left side perspective view thereof; FIG. 3 is a left side elevation view thereof, the right side being substantially a mirror image of the left side shown; FIG. 4 is a top plan view thereof; FIG. 5 is a rear and left side perspective view thereof; and, FIG. 6 is a rear view thereof.

The broken lines shown in the drawings depict portions of the vehicle body exterior that form no part of the claimed design.

1 Claim, 6 Drawing Sheets



(56)

References Cited

U.S. PATENT DOCUMENTS

D618,595 S 6/2010 Ware et al.
 D623,090 S 9/2010 Cox et al.
 D626,885 S * 11/2010 Bischoff et al. D12/91
 D627,262 S 11/2010 Ikeda et al.
 D630,132 S * 1/2011 Jang D12/91
 D635,488 S 4/2011 Phipps
 D644,147 S 8/2011 Suh et al.
 D644,567 S 9/2011 Kozub
 D647,003 S * 10/2011 Kim D12/91
 D647,821 S * 11/2011 Bischoff et al. D12/91
 D657,718 S 4/2012 Zipfel et al.
 D659,052 S 5/2012 Ware et al.
 D659,053 S 5/2012 Ware et al.
 D668,182 S 10/2012 Franco
 D668,183 S 10/2012 Smart
 D670,606 S * 11/2012 Frenzel et al. D12/91
 D672,688 S * 12/2012 Kubota et al. D12/91
 D678,820 S 3/2013 Son et al.
 D678,821 S 3/2013 Ikeda et al.
 D680,909 S 4/2013 Munson et al.
 D680,910 S 4/2013 David
 D684,092 S * 6/2013 Lee D12/91
 D684,899 S 6/2013 Baker
 D686,536 S 7/2013 McCabe et al.
 D689,399 S * 9/2013 Kim et al. D12/91
 D692,798 S 11/2013 Thurber
 D692,799 S 11/2013 Smith et al.
 D696,157 S 12/2013 Loeb
 D699,629 S 2/2014 Ikeda et al.
 D700,871 S 3/2014 O'Donnell et al.
 D703,103 S 4/2014 Lee
 D704,103 S 5/2014 Mack et al.
 D705,132 S 5/2014 Ware et al.
 D705,699 S 5/2014 Ware et al.
 D718,187 S * 11/2014 Hou et al. D12/91

D719,486 S * 12/2014 Murakami et al. D12/91
 D719,487 S * 12/2014 Asai et al. D12/91
 D719,875 S * 12/2014 Jang D12/91
 D720,257 S * 12/2014 Suga et al. D12/91
 D730,786 S * 6/2015 Duff et al. D12/163
 D731,924 S * 6/2015 Lian et al. D12/91

OTHER PUBLICATIONS

Design U.S. Appl. No. 29/450,700, filed Mar. 21, 2013; First Named Inventor: Andrew Dyson; Title: Motor Car.
 Design U.S. Appl. No. 29/451,178, filed Mar. 28, 2013; First Named Inventor: Richard Fulvio Ferlazzo; Title: Vehicle Body Exterior.
 Design U.S. Appl. No. 29/466,855, filed Sep. 12, 2013; First Named Inventor: Louis Thole; Title: Vehicle Body Exterior.
 Design U.S. Appl. No. 29/466,859, filed Sep. 12, 2013; First Named Inventor: Louis Thole; Title: Vehicle Body Exterior.
 Design U.S. Appl. No. 29/471,417, filed Oct. 31, 2013; First Named Inventor: Robin Krieg; Title: Vehicle Body Exterior.
 Design U.S. Appl. No. 29/476,490, filed Dec. 13, 2013; First Named Inventor: Robert J. Munson; Title: Vehicle Body Exterior.
 Design U.S. Appl. No. 29/475,782, filed Dec. 6, 2013; First Named Inventor: Niels Loeb; Title: Motor Car.
 Design U.S. Appl. No. 29/475,785, filed Dec. 6, 2013; First Named Inventor: Niels Loeb; Title: Motor Car.
 Design U.S. Appl. No. 29/477,931, filed Dec. 30, 2013; First Named Inventor: Louis D. Thole; Title: Vehicle Body Exterior.
 Design U.S. Appl. No. 29/478,287; filed Jan. 3, 2014; First Named Inventor: Boris Jacob; Title: Motor Car.
 Design U.S. Appl. No. 29/478,501, filed Jan. 6, 2014; First Named Inventor: Robert B. McMahan; Title: Vehicle Body Exterior.
 Design U.S. Appl. No. 29/487,899, filed Apr. 14, 2014; First Named Inventor: Carsten Aengenheyster; Title: Motor Car.
 Design U.S. Appl. No. 29/491,286, filed May 20, 2014; First Named Inventor: Robert B. McMahan; Title: Vehicle Body Exterior.

* cited by examiner

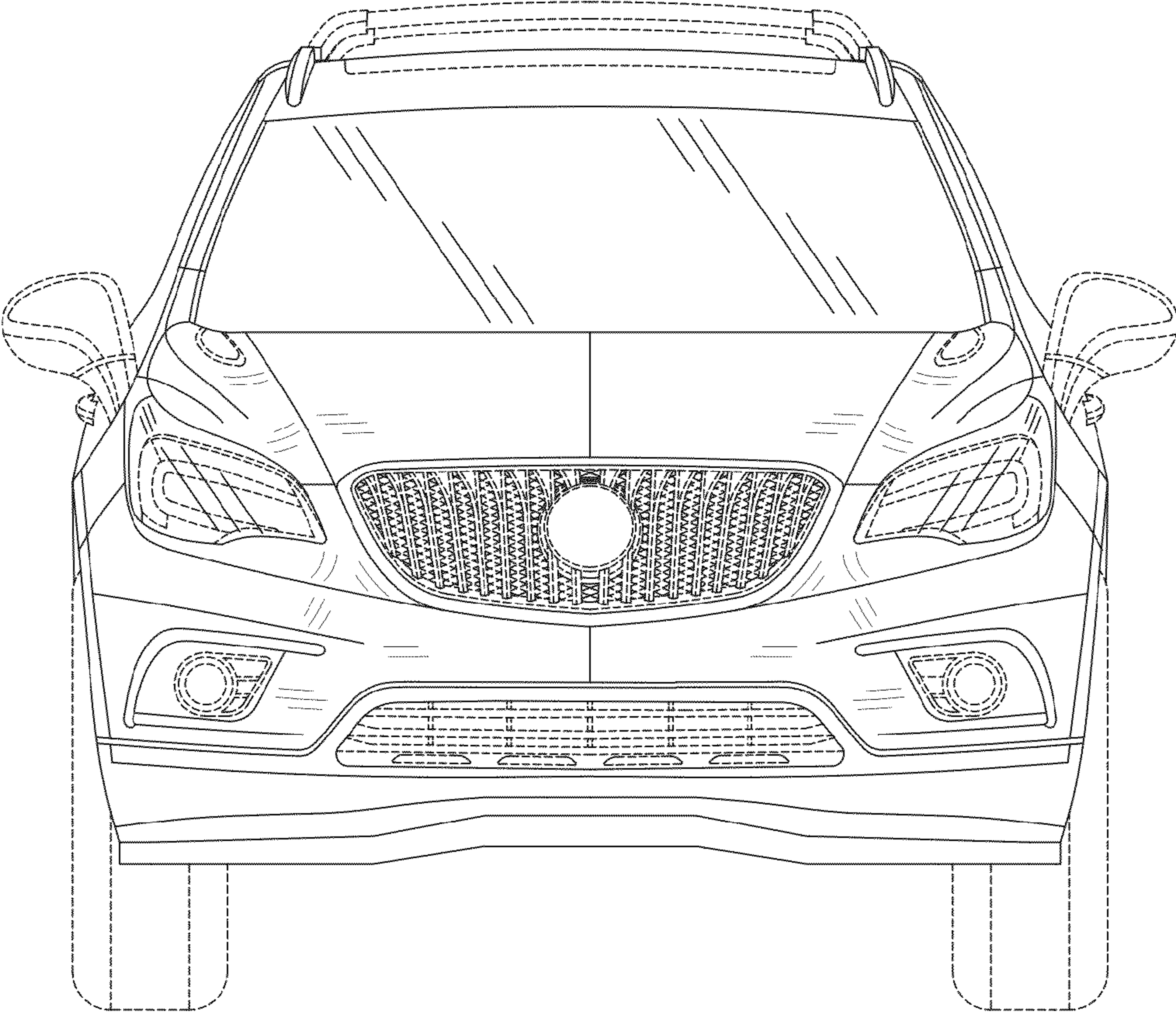


Fig-1

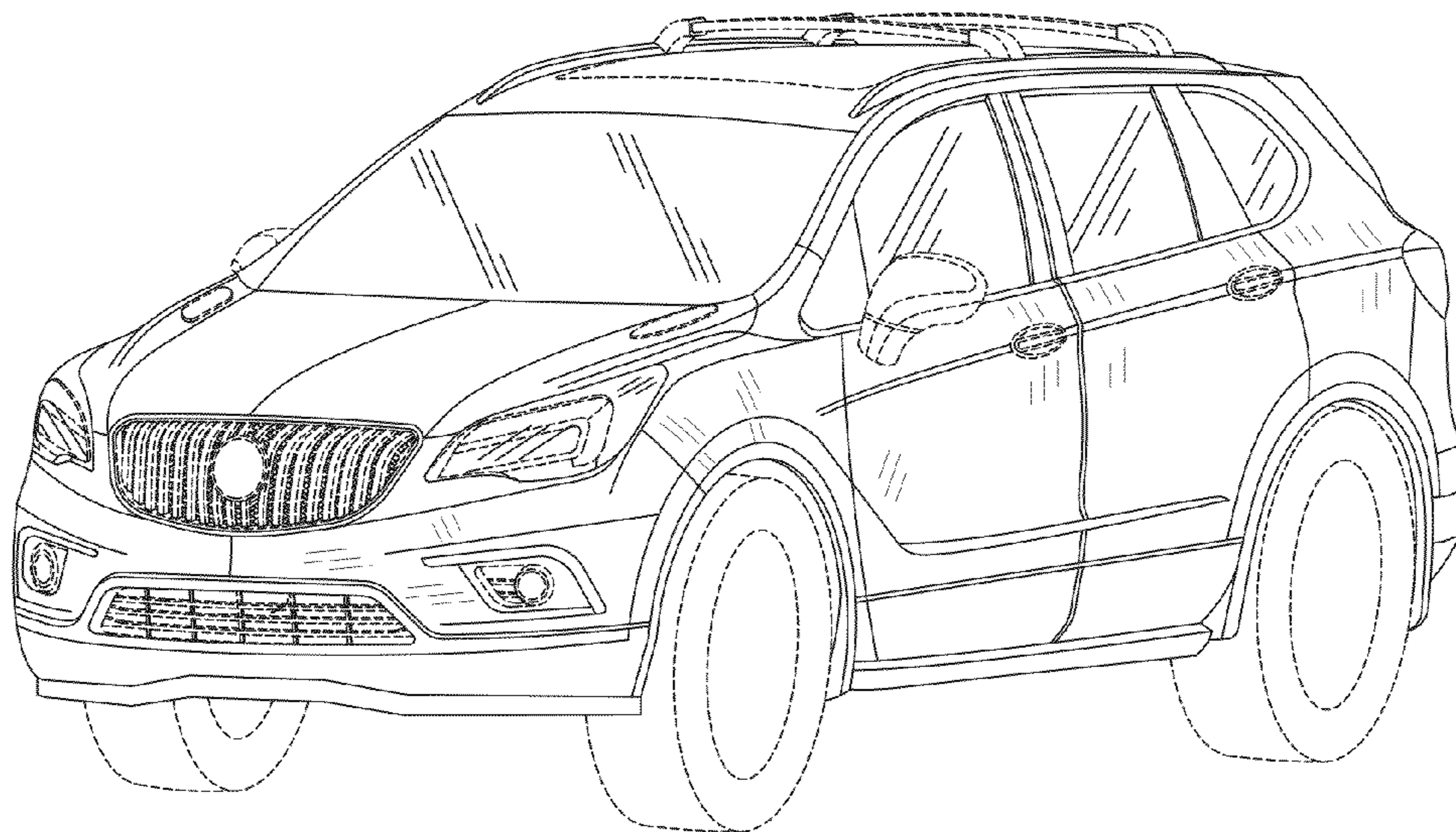


Fig-2

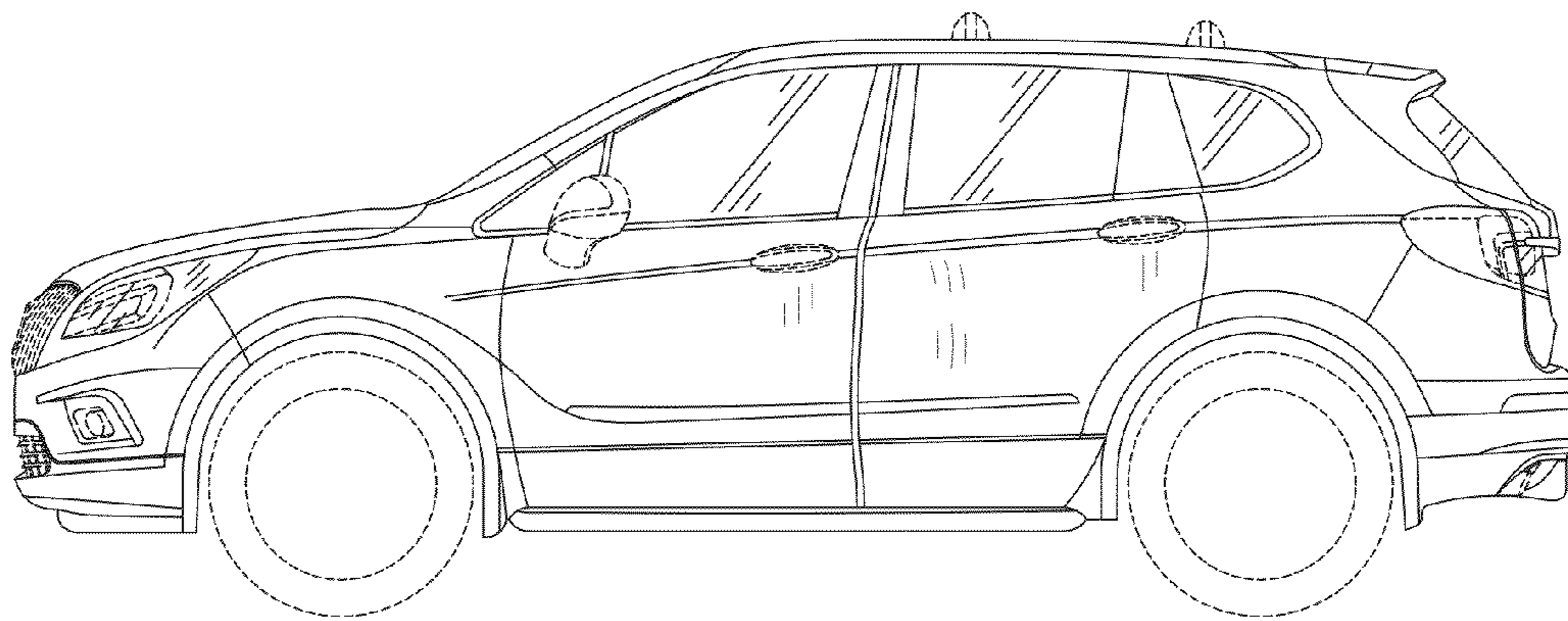


Fig-3

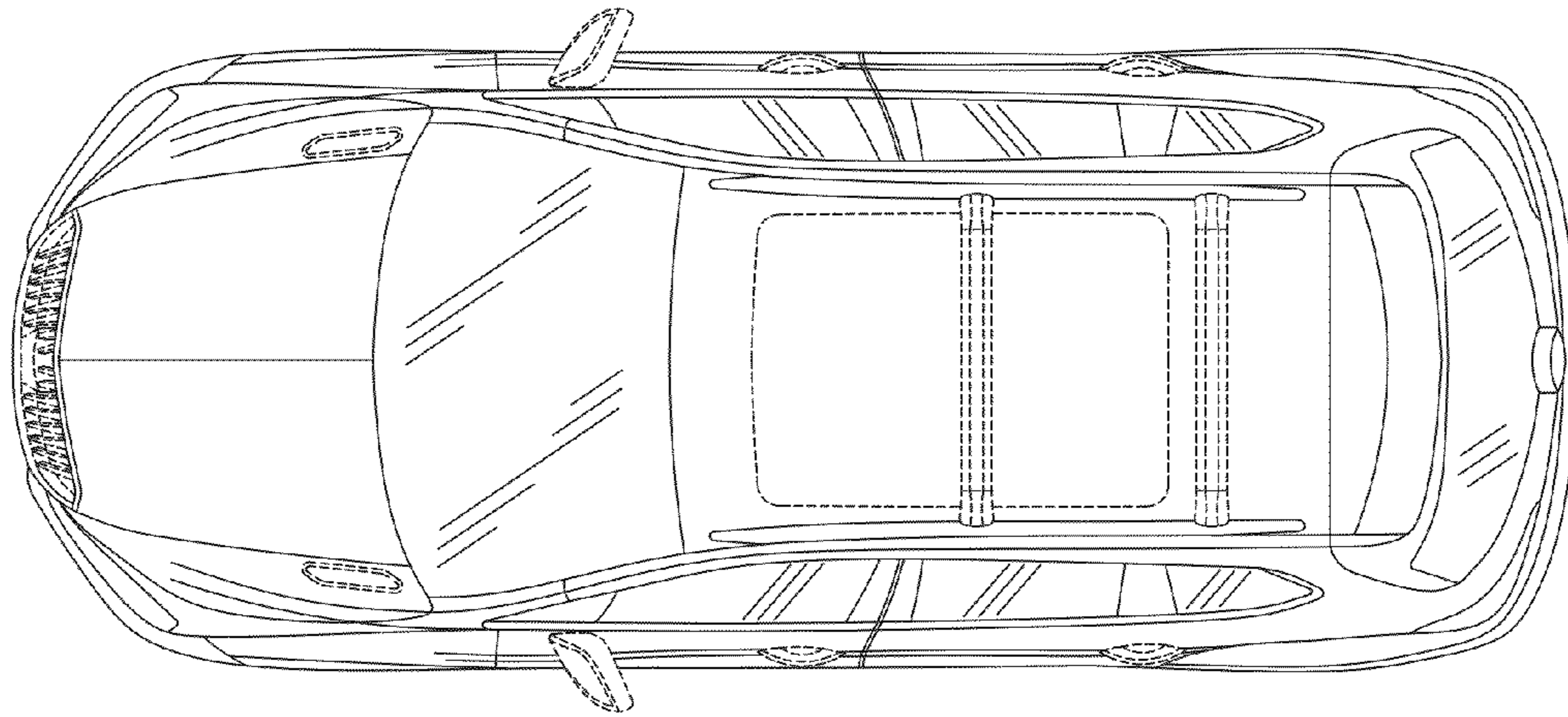


Fig-4

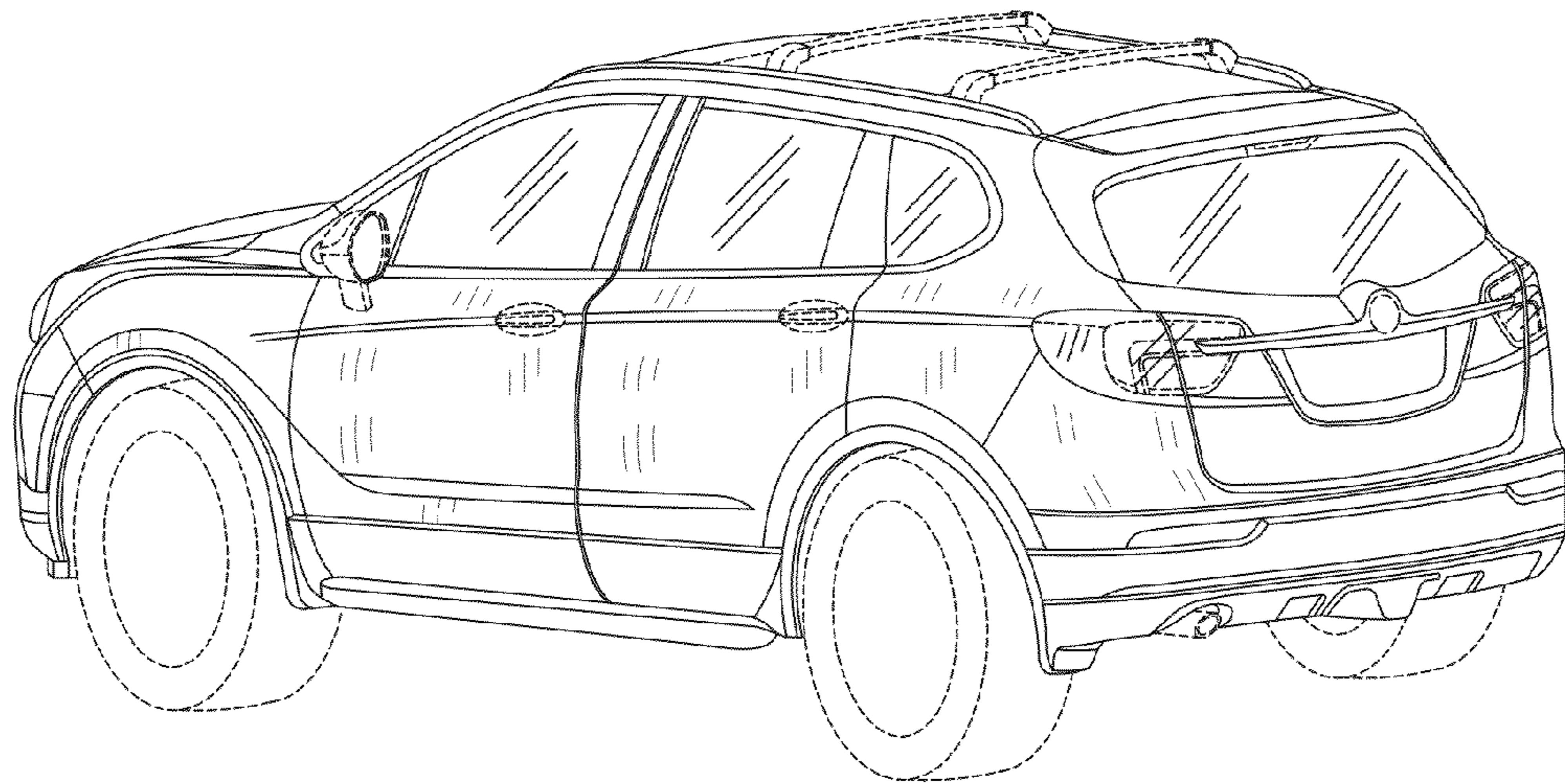


Fig-5

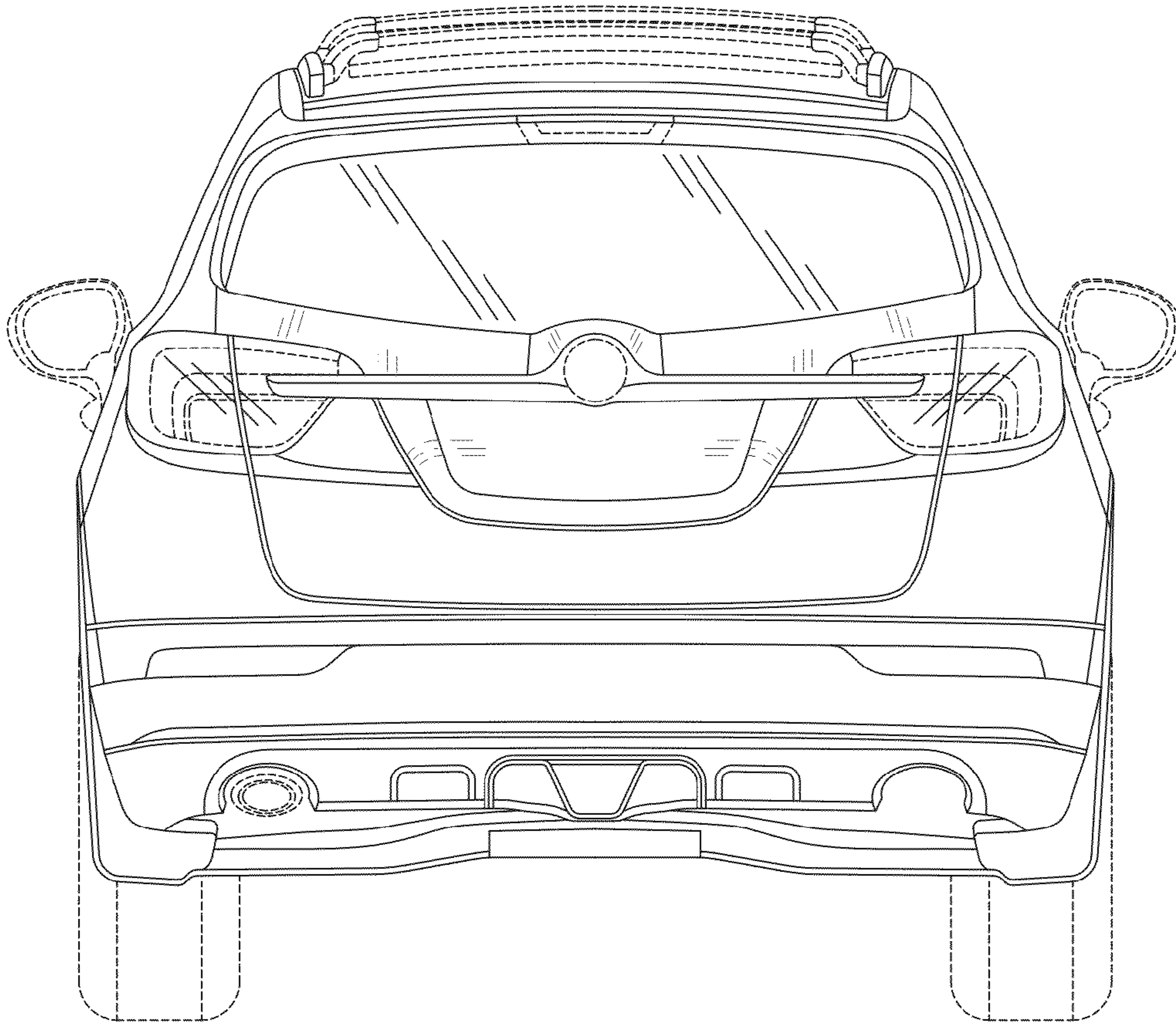


Fig-6