



US00D741219S

(12) **United States Design Patent**  
**Tao**

(10) **Patent No.:** **US D741,219 S**  
(45) **Date of Patent:** **\*\* Oct. 20, 2015**

(54) **PHOENIX MASCOT**  
(71) Applicant: **Beijing Golden Age Green Business Investment Management Limited Liability Company, Beijing (CN)**  
(72) Inventor: **Yan Tao, Fuyang (CN)**  
(73) Assignee: **Beijing Golden Age Green Business Investment Management Limited Liability Company (CN)**  
(\*\*) Term: **14 Years**

D132,181 S *	4/1942	Jiranek et al.	.....	D11/162
D288,154 S *	2/1987	Hobgood	.....	D6/466
D326,114 S *	5/1992	Murtagh	.....	D19/97
D384,598 S *	10/1997	Park	.....	D11/162
D393,016 S *	3/1998	Young	.....	D21/398
D451,841 S *	12/2001	Kapustinski	.....	D11/162
D460,383 S *	7/2002	Weiser et al.	.....	D11/149
D463,511 S *	9/2002	Weiser et al.	.....	D21/606
D479,633 S *	9/2003	Weiser et al.	.....	D30/125
D482,400 S *	11/2003	Kim	.....	D19/82
D528,465 S *	9/2006	Quarters	.....	D11/157
D533,806 S *	12/2006	Kaneko et al.	.....	D11/131
D551,591 S *	9/2007	Wesorick	.....	D11/131
D563,827 S *	3/2008	Chen	.....	D11/162
D609,607 S *	2/2010	Hsu	.....	D11/158
D675,955 S *	2/2013	De Togni	.....	D11/131

(21) Appl. No.: **29/484,312**

\* cited by examiner

(22) Filed: **Mar. 7, 2014**

*Primary Examiner* — John Windmuller  
*Assistant Examiner* — Steven Czyz

(30) **Foreign Application Priority Data**

(74) *Attorney, Agent, or Firm* — Harness, Dickey & Pierce, P.L.C.

Oct. 14, 2013 (CN) ..... 2013 3 0484066

(51) **LOC (10) Cl.** ..... **11-02**

(52) **U.S. Cl.**  
USPC ..... **D11/158**

(58) **Field of Classification Search**  
USPC ..... D11/58, 82, 158, 131, 162, 157;  
D21/415, 428, 606-609, 808, 825, 827,  
D21/832; 428/542.2, 542.4; 40/409, 410  
CPC ..... B44C 5/00; B44C 3/06; B44C 1/105;  
B44C 5/02; G09F 19/02; G09F 19/08; G09F  
19/10

See application file for complete search history.

(56) **References Cited**

**U.S. PATENT DOCUMENTS**

D61,574 S \* 10/1922 Kerekes et al. .... D10/7  
D88,768 S \* 12/1932 Gerent et al. .... D11/162  
D103,569 S \* 3/1937 Gerent et al. .... D11/162

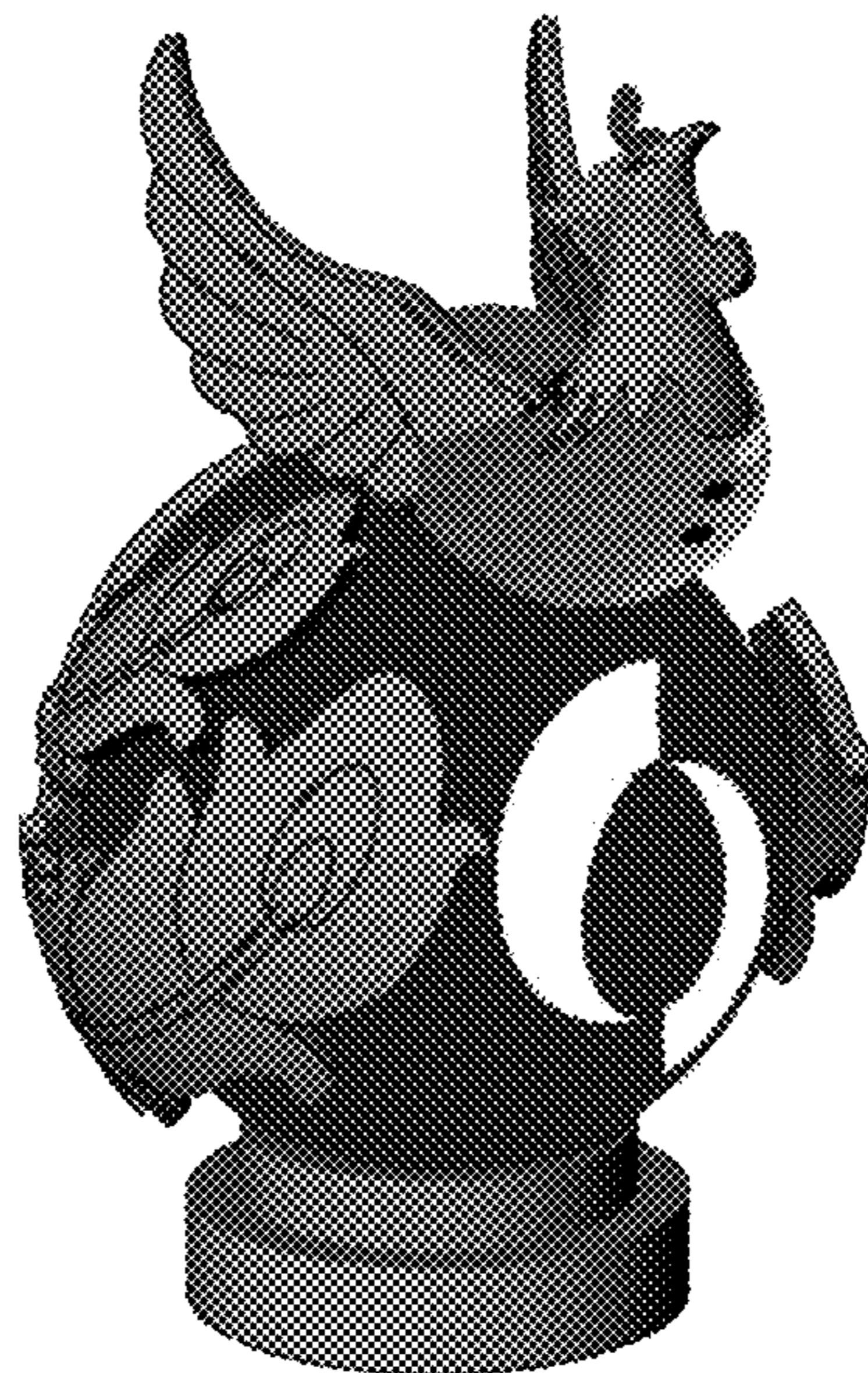
(57) **CLAIM**

The ornamental design for a phoenix mascot, as shown and described.

**DESCRIPTION**

FIG. 1 is a perspective view of a phoenix mascot embodying our new design;  
FIG. 2 is a front view thereof;  
FIG. 3 is a rear view thereof;  
FIG. 4 is a left view thereof;  
FIG. 5 is a right view thereof;  
FIG. 6 is a top view thereof; and,  
FIG. 7 is a bottom view thereof.  
The broken lines depict portions of the article that form no part of the claimed design.

**1 Claim, 7 Drawing Sheets**



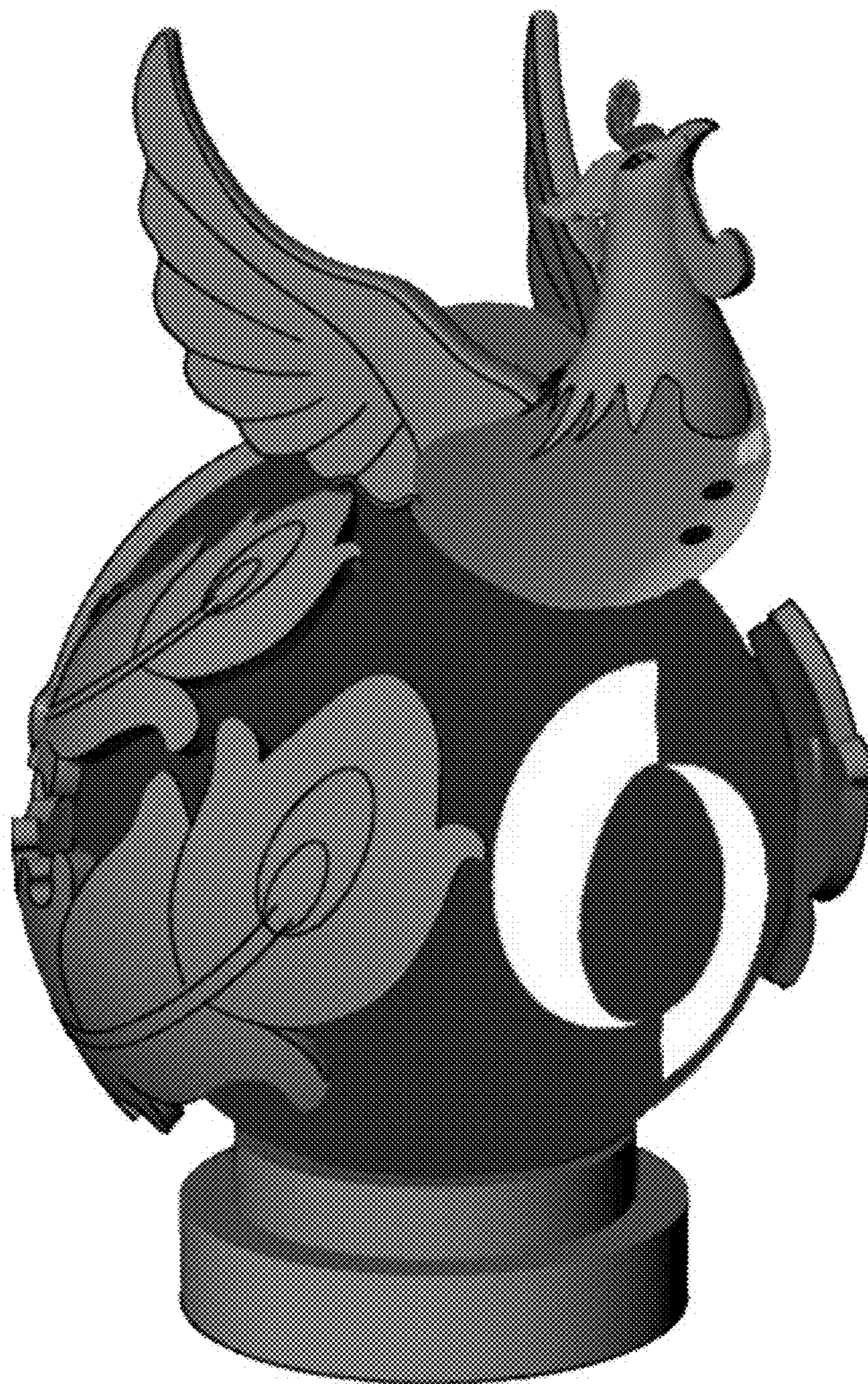
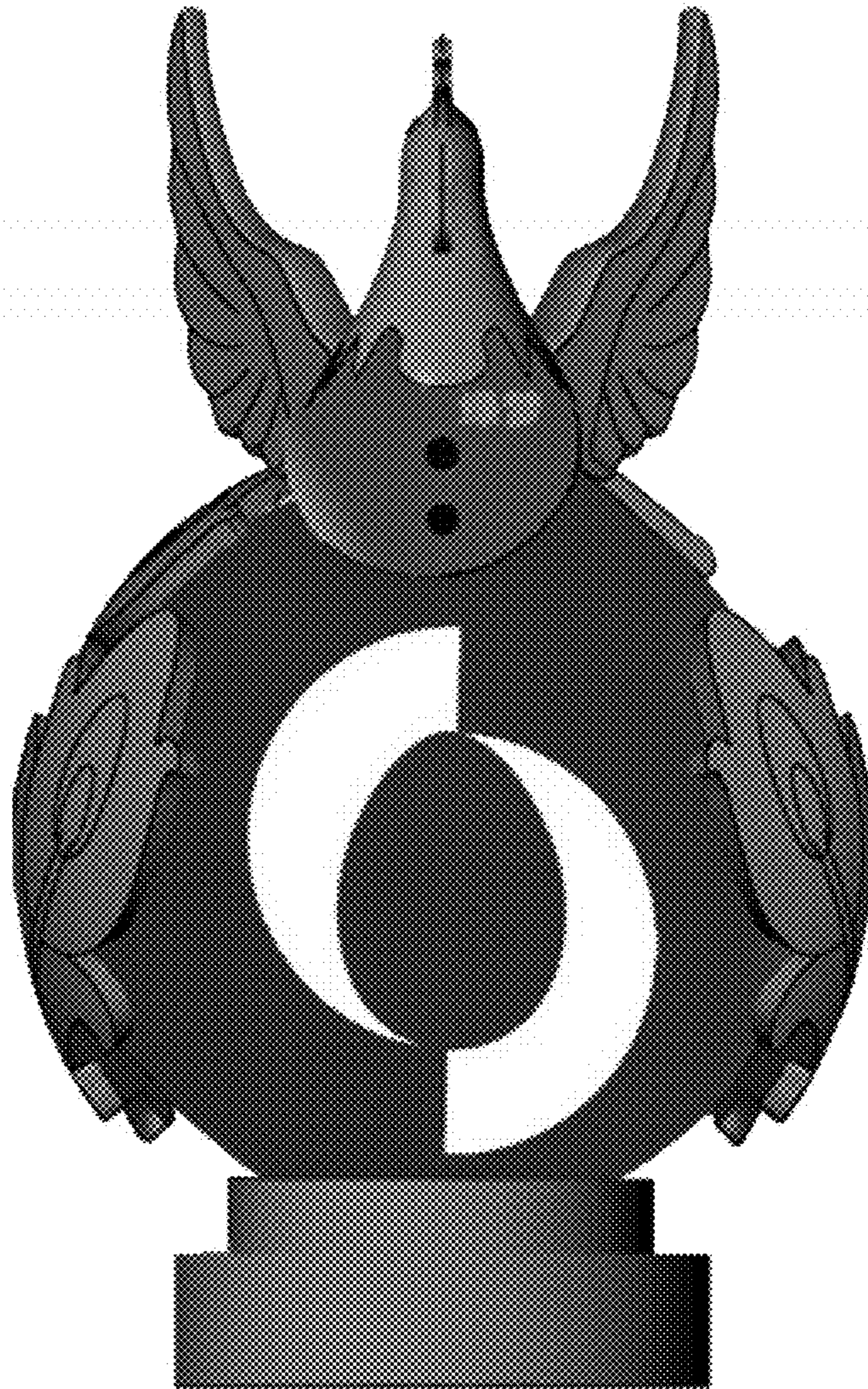
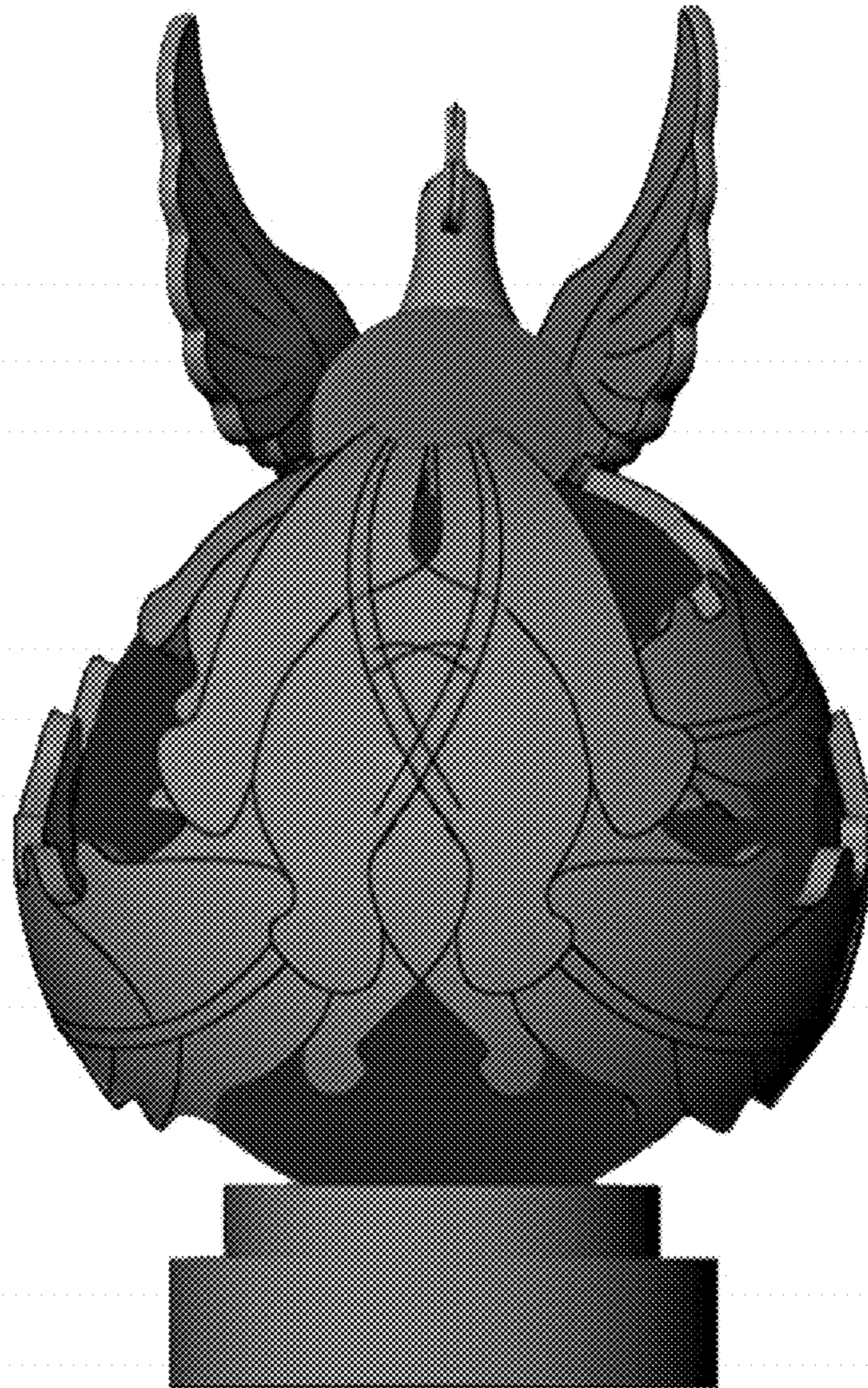


FIG. 1



**FIG. 2**



**FIG. 3**



FIG. 4



FIG. 5

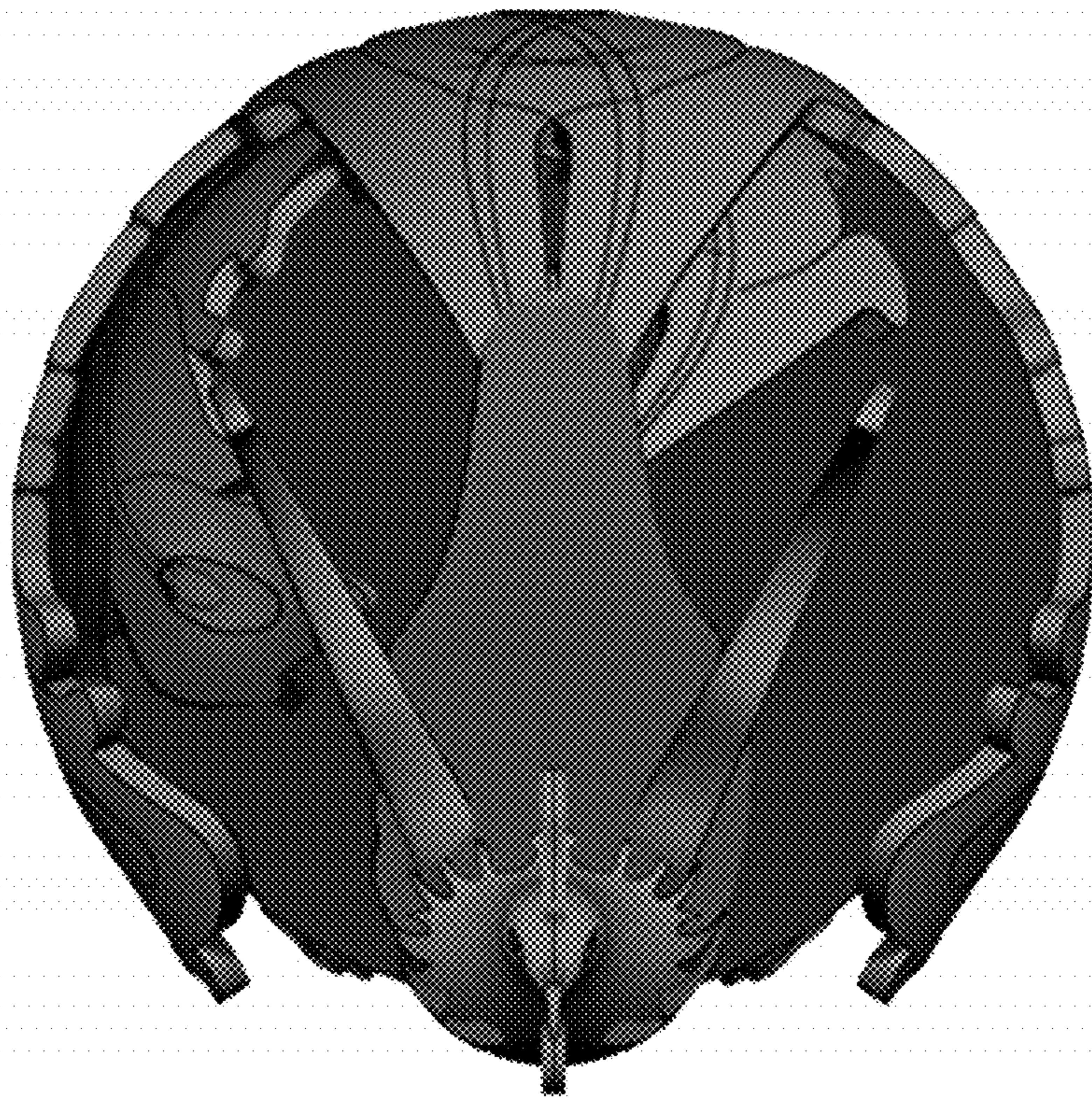


FIG. 6

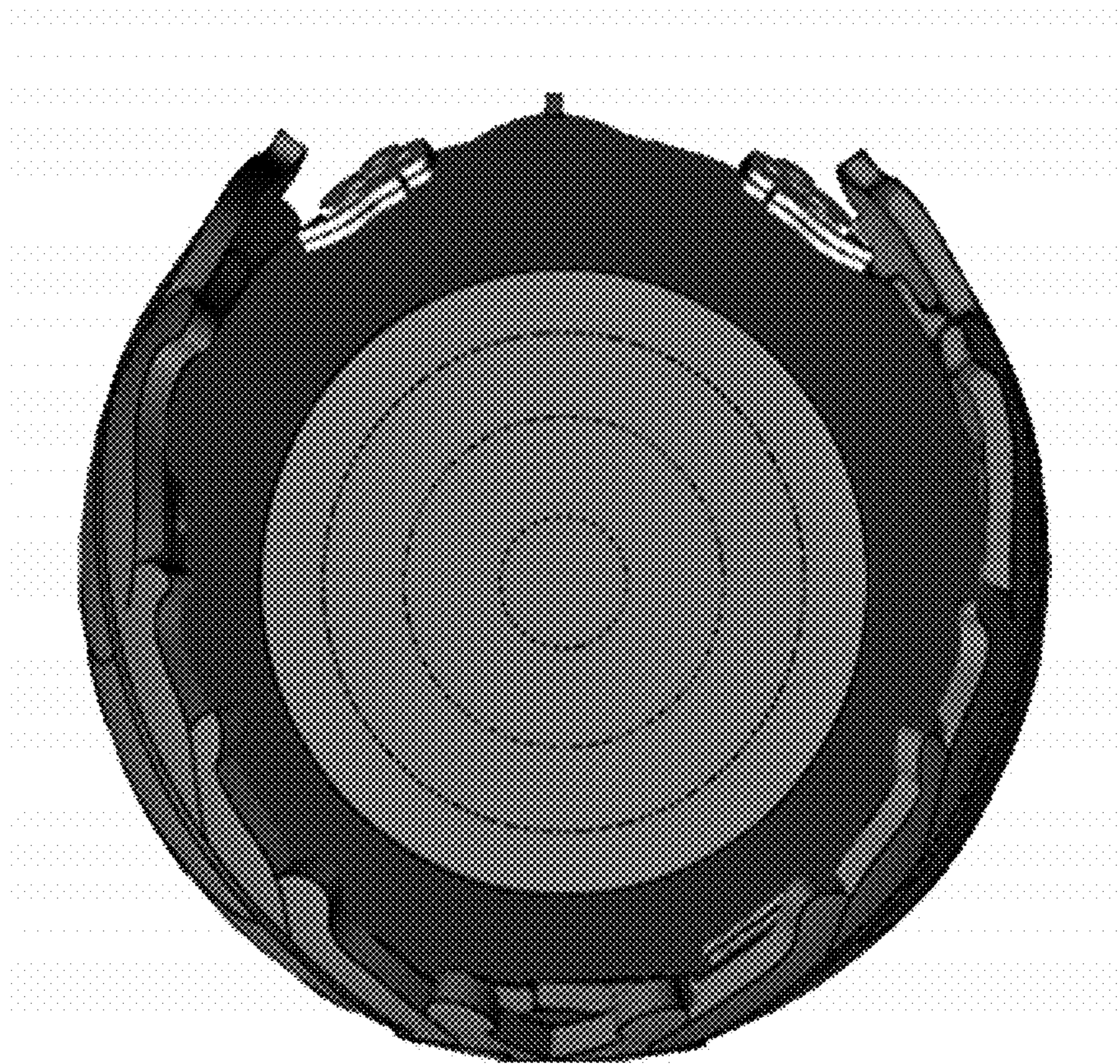


FIG. 7